



US00D436533S

(12) **United States Design Patent**  
**Correll**

(10) **Patent No.:** **US D436,533 S**  
(45) **Date of Patent:** **\*\* Jan. 23, 2001**

(54) **COVER PANEL OF A BOX BLANK**

(76) Inventor: **John D. Correll**, 8459 Holly Dr.,  
Canton, MI (US) 48187

(\*\*) Term: **14 Years**

(21) Appl. No.: **29/109,842**

(22) Filed: **Aug. 23, 1999**

(51) **LOC (7) Cl.** ..... **09-03**

(52) **U.S. Cl.** ..... **D9/433; D9/414; D9/432**

(58) **Field of Search** ..... **D9/337, 339, 341,**  
**D9/345-348, 414, 430-433; 229/117, 162,**  
**939; 206/448**

(56) **References Cited**

**U.S. PATENT DOCUMENTS**

D. 371,296	*	7/1996	Correll	.....	D9/456
D. 394,388	*	5/1998	Correll	.....	D9/433
D. 400,438	*	11/1998	Correll	.....	D9/433
5,586,716	*	12/1996	Correll	.....	229/110
5,806,755	*	9/1998	Correll	.....	229/110
5,833,130	*	11/1998	Correll	.....	229/152
5,961,035	*	10/1999	Correll	.....	229/110

\* cited by examiner

*Primary Examiner*—Ted Shooman

*Assistant Examiner*—Carol Rademaker

(57) **CLAIM**

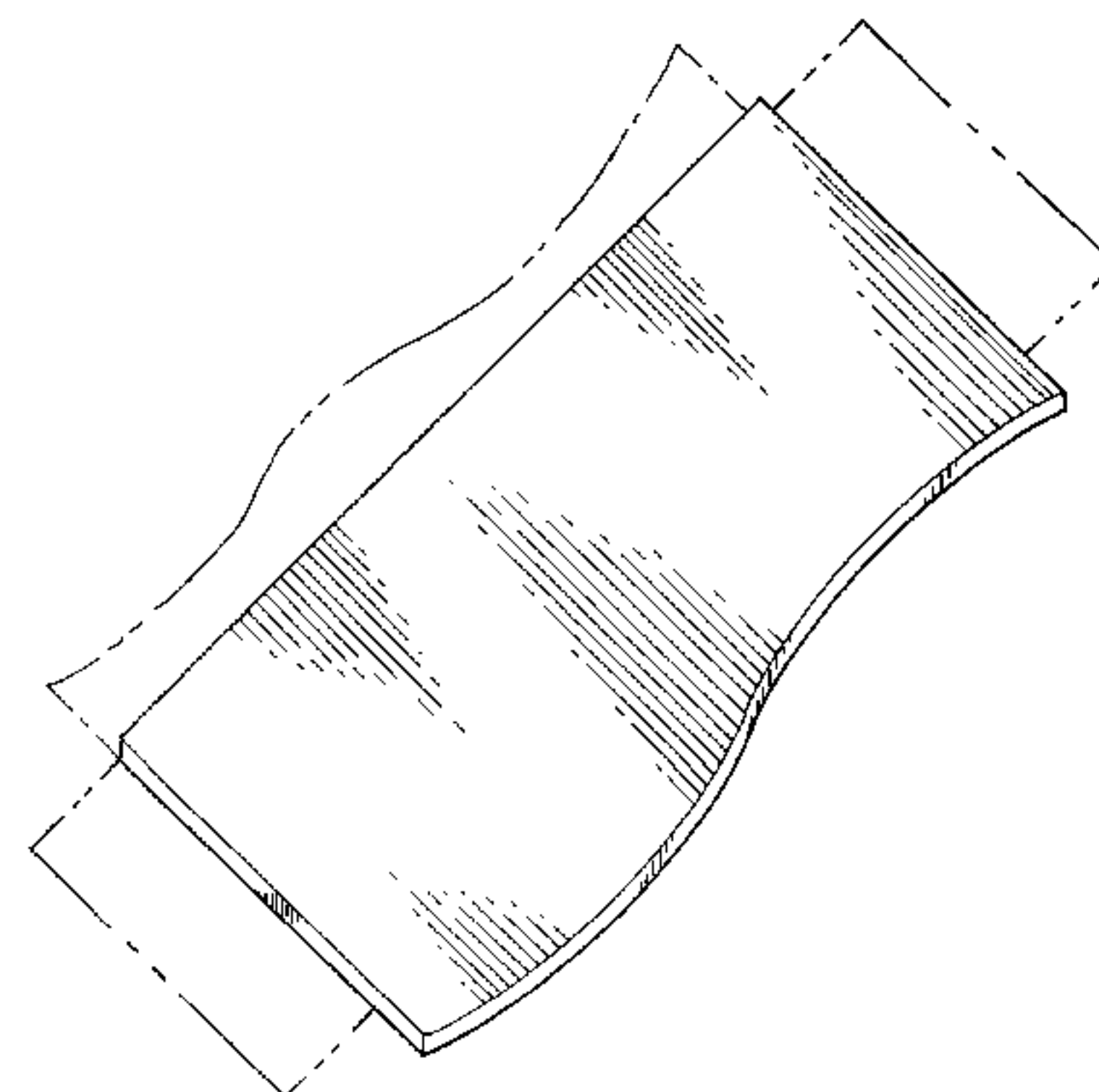
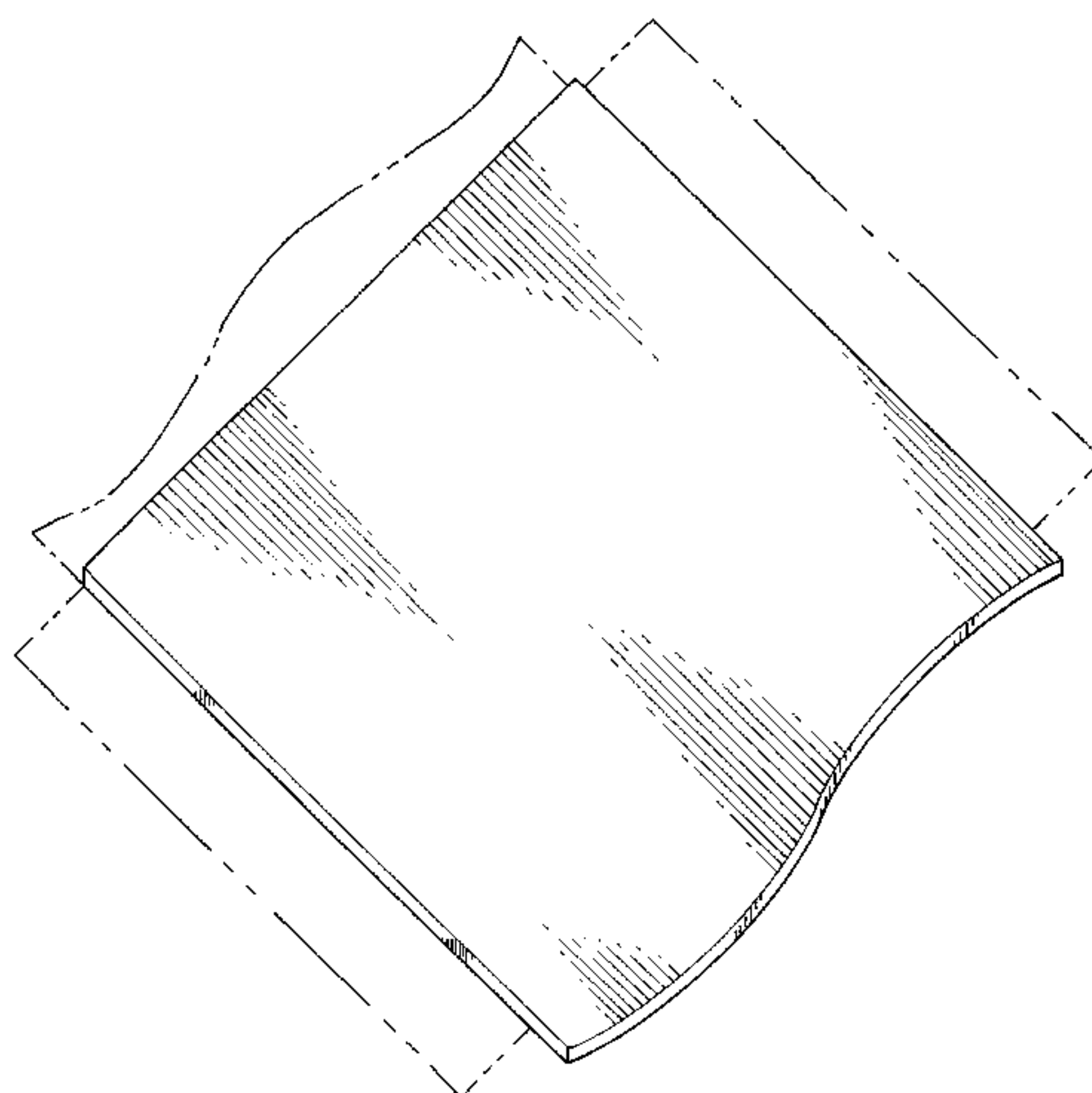
The ornamental design for a cover panel of a box blank, as shown and described.

**DESCRIPTION**

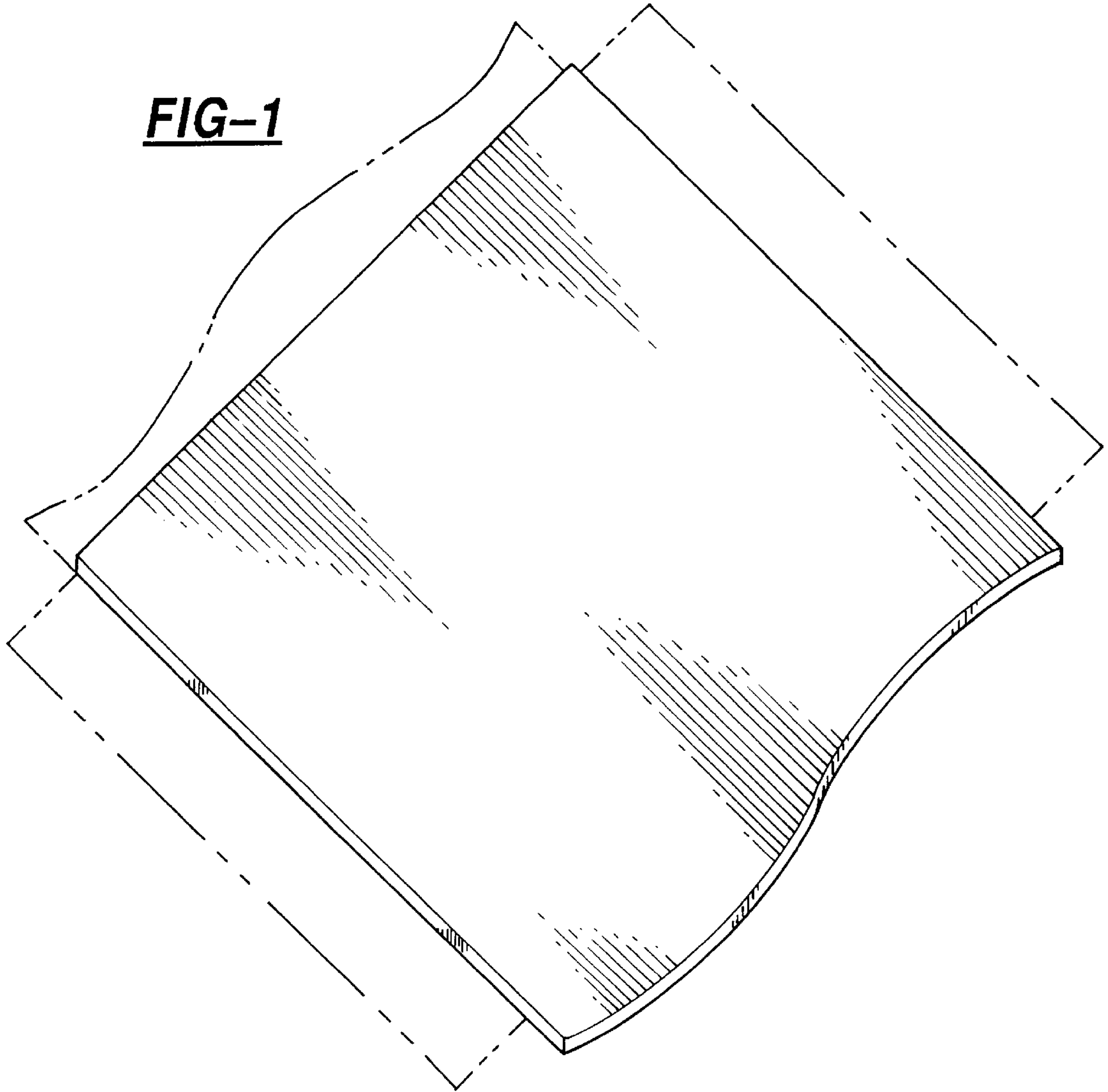
FIG. 1 is a top perspective view of a cover panel of a box blank showing my new design, the broken line showing of the adjacent appended components is for illustrative purposes only and forms no part of the claimed design;  
FIG. 2 is a top plan view of the cover panel;  
FIG. 3 is a bottom plan view of the cover panel;  
FIG. 4 is a front elevation view of the cover panel;

FIG. 5 is a right side elevation view of the cover panel;  
FIG. 6 is a left side elevation view of the cover panel;  
FIG. 7 is a rear elevation view of the cover panel;  
FIG. 8 is a top perspective view of a cover panel of a box blank showing a second embodiment of my new design, the broken line showing of the adjacent appended components is for illustrative purposes only and forms no part of the claimed design;  
FIG. 9 is a top plan view of the second embodiment;  
FIG. 10 is a bottom plan view of the second embodiment;  
FIG. 11 is a front elevation view of the second embodiment;  
FIG. 12 is a right side elevation view of the second embodiment;  
FIG. 13 is a left side elevation view of the second embodiment;  
FIG. 14 is a rear elevation view of the second embodiment;  
FIG. 15 is a top perspective view of a cover panel of a box blank showing a third embodiment of my new design, the broken line showing of the adjacent appended components is for illustrative purposes only and forms no part of the claimed design;  
FIG. 16 is a top plan view of the third embodiment;  
FIG. 17 is a bottom plan view of the third embodiment;  
FIG. 18 is a front elevation view of the third embodiment;  
FIG. 19 is a right side elevation view of the third embodiment;  
FIG. 20 is a left side elevation view of the third embodiment;  
FIG. 21 is a rear elevation view of the third embodiment;  
FIG. 22 is a top perspective view of a cover panel of a box blank showing a fourth embodiment of my new design, the broken line showing of the adjacent appended components is for illustrative purposes only and forms no part of the claimed design;  
FIG. 23 is a top plan view of the fourth embodiment;  
FIG. 24 is a bottom plan view of the fourth embodiment;  
FIG. 25 is a front elevation view of the fourth embodiment;  
FIG. 26 is a right side elevation view of the fourth embodiment;  
FIG. 27 is a left side elevation view of the fourth embodiment; and,  
FIG. 28 is a rear elevation view of the fourth embodiment.

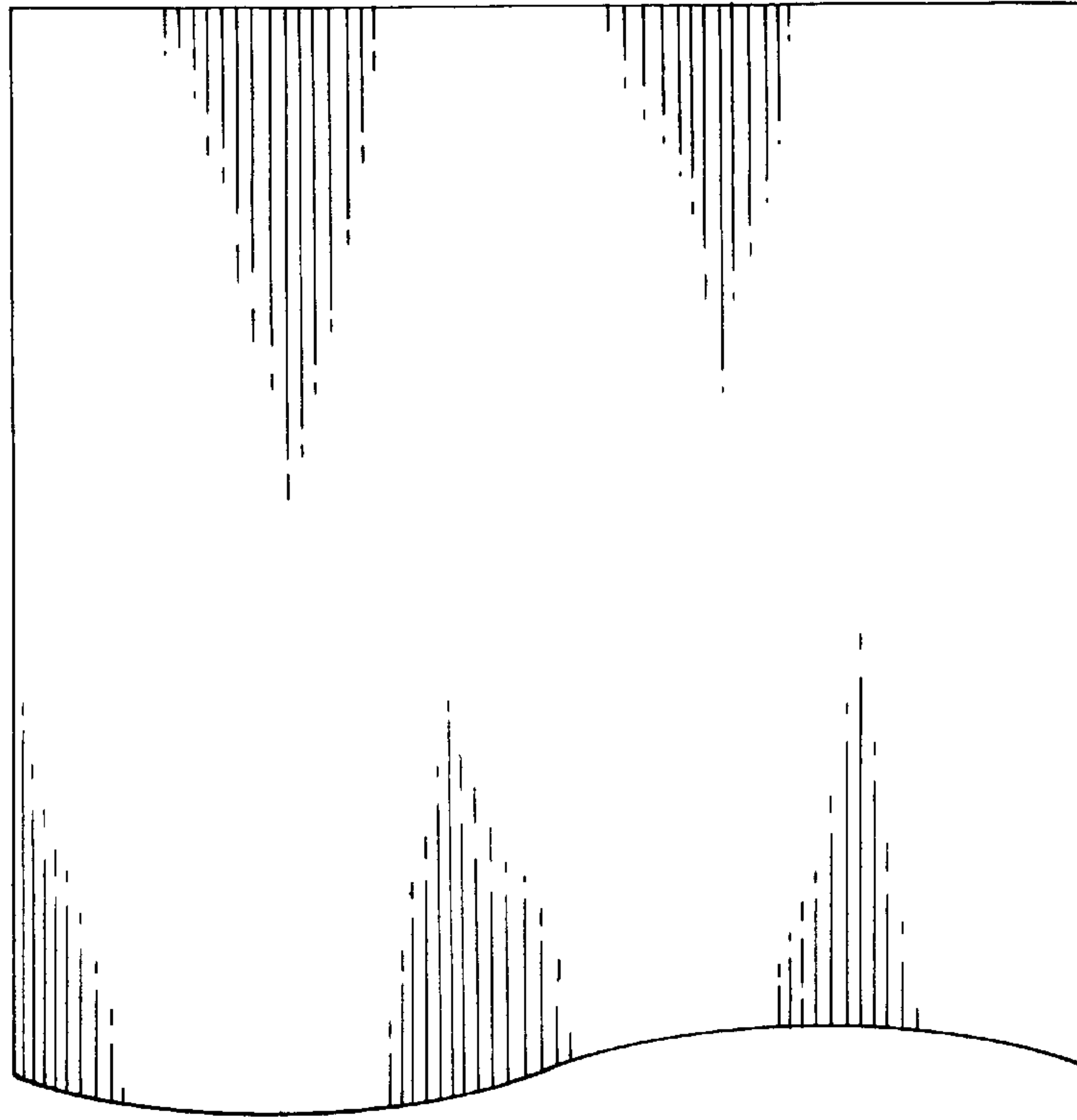
**1 Claim, 8 Drawing Sheets**



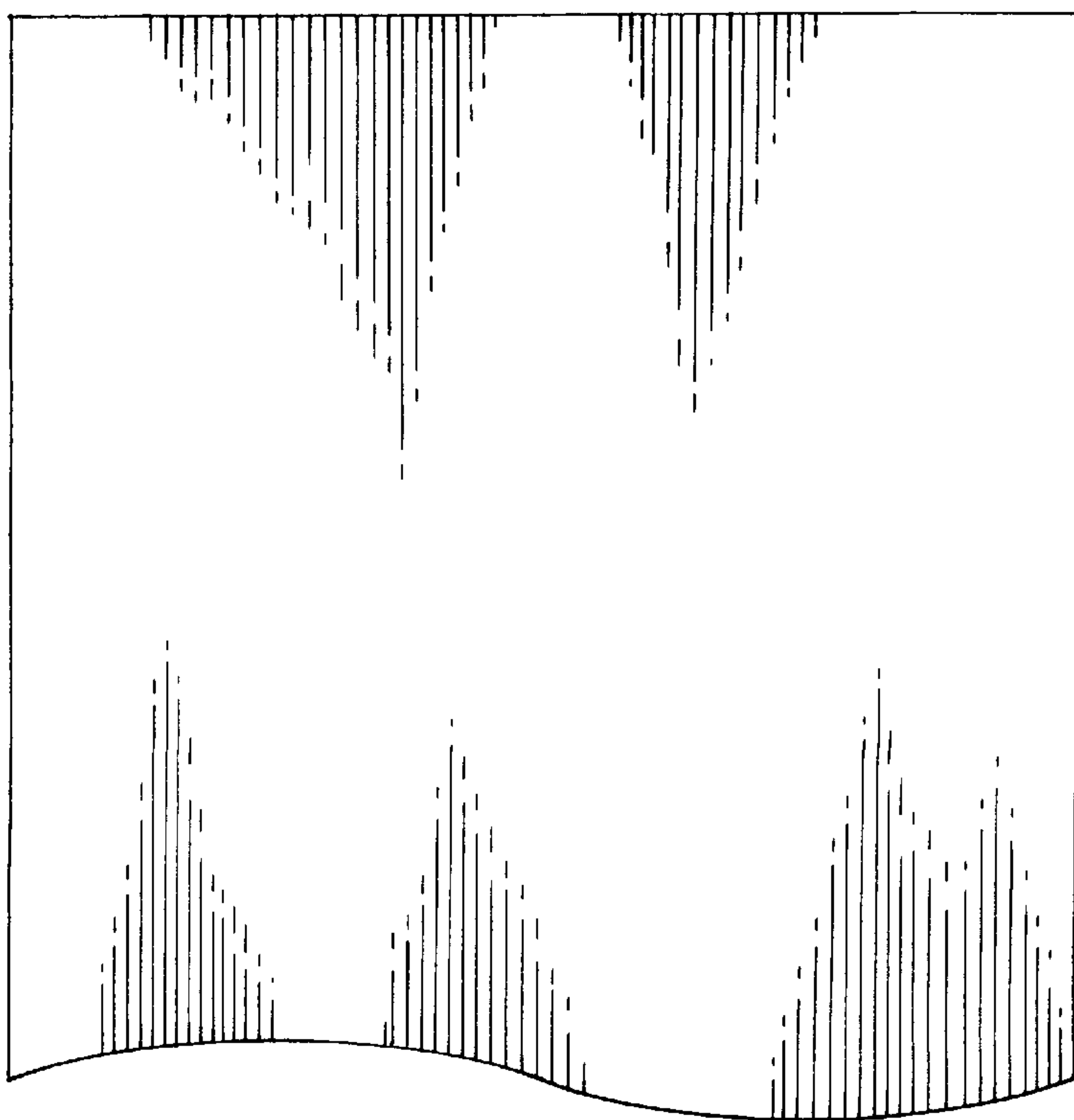
**FIG-1**



**FIG-2**



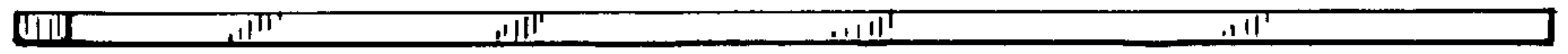
**FIG-3**



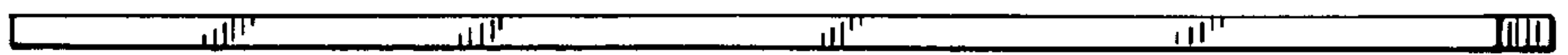
**FIG-4**



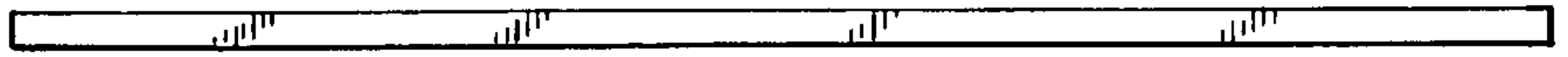
**FIG-5**



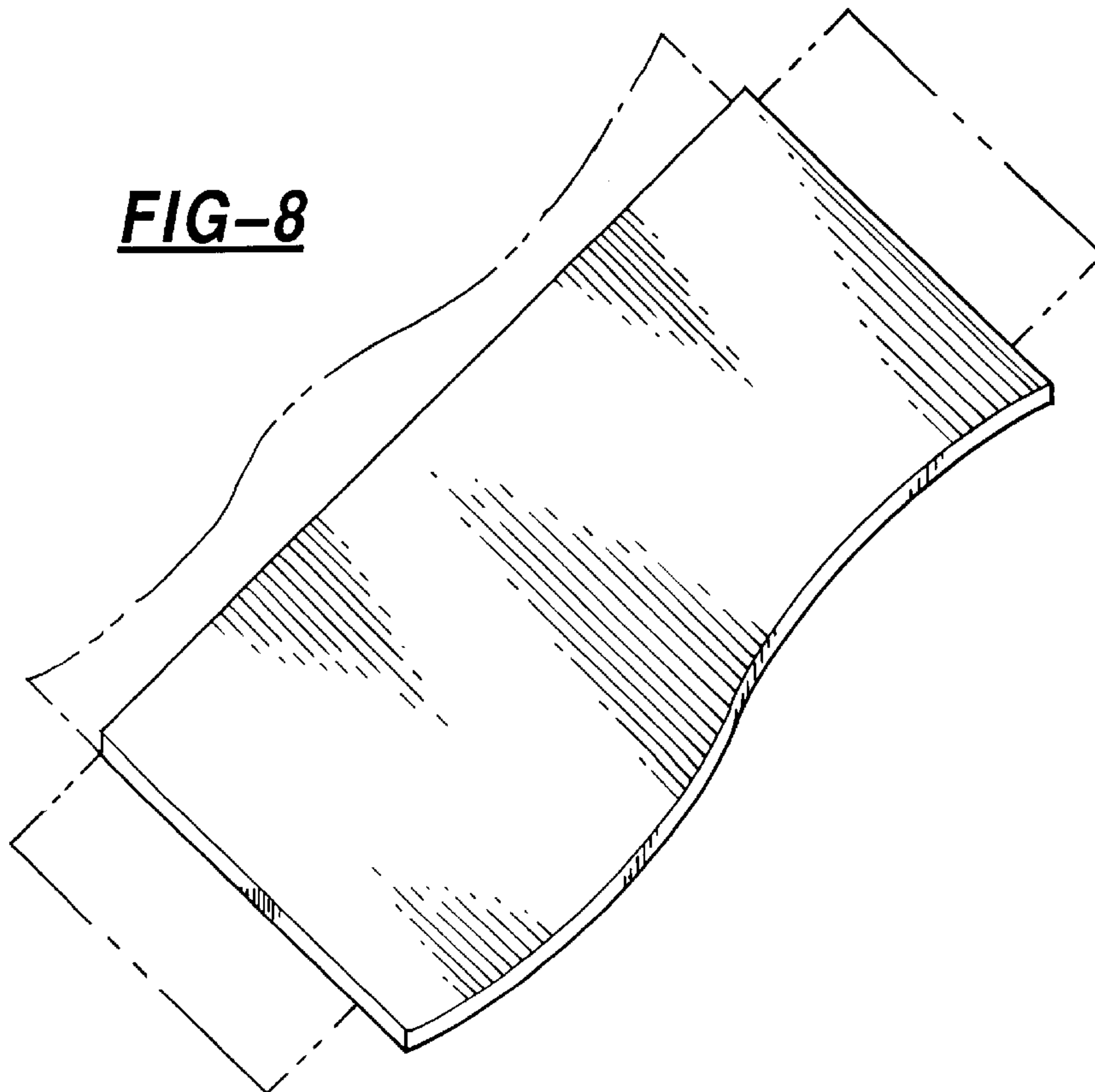
**FIG-6**



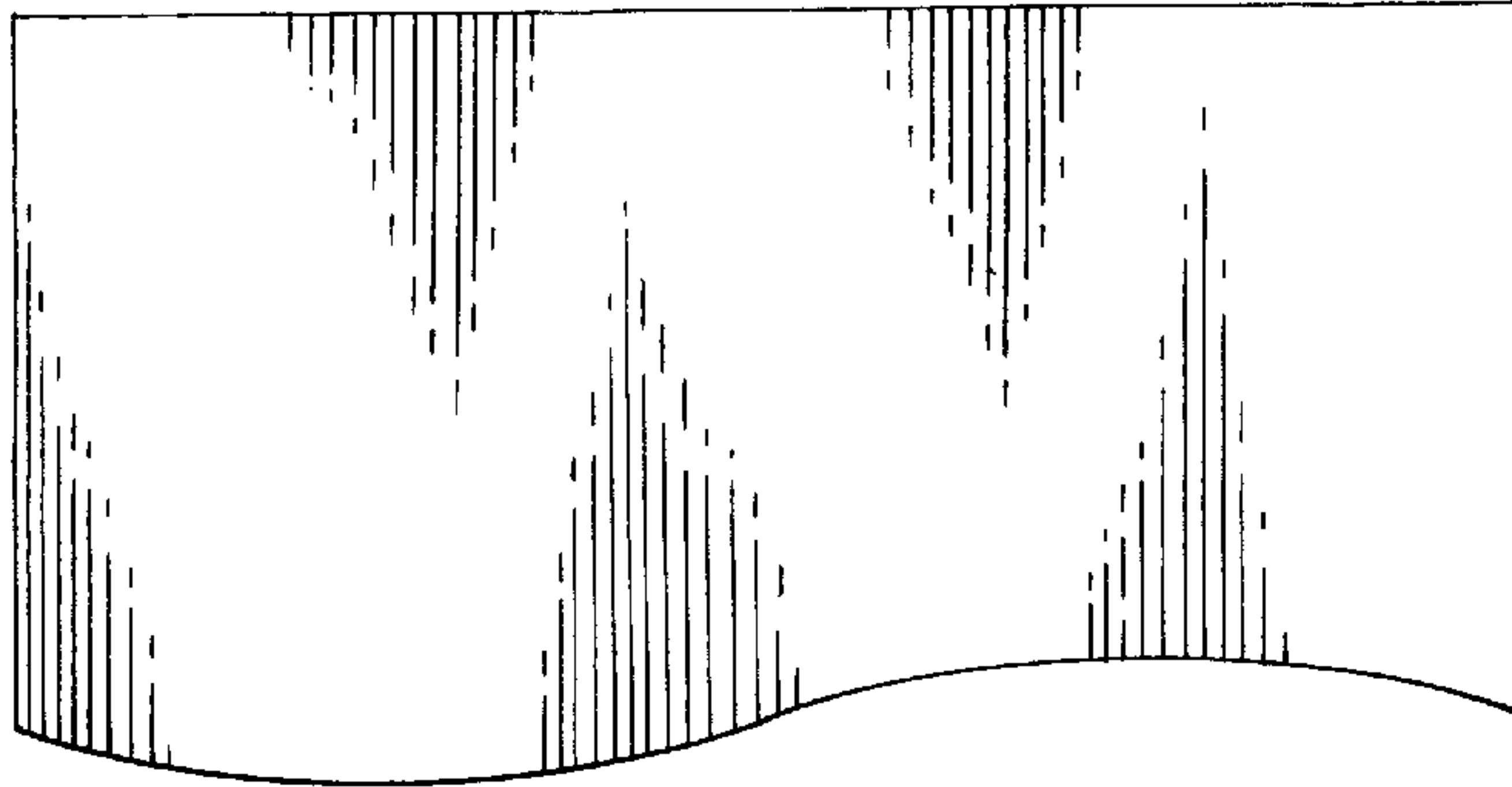
**FIG-7**



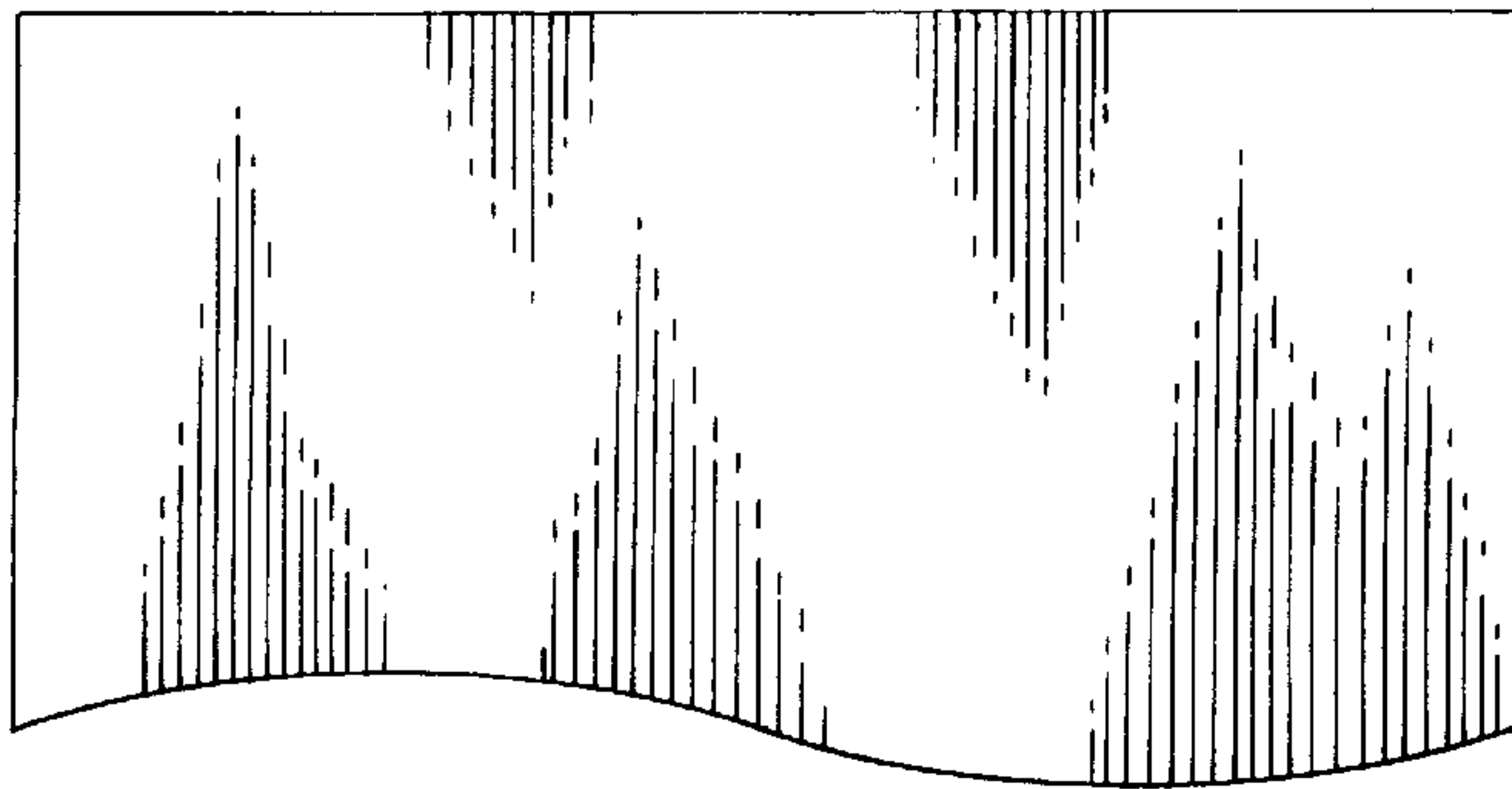
**FIG-8**



**FIG-9**



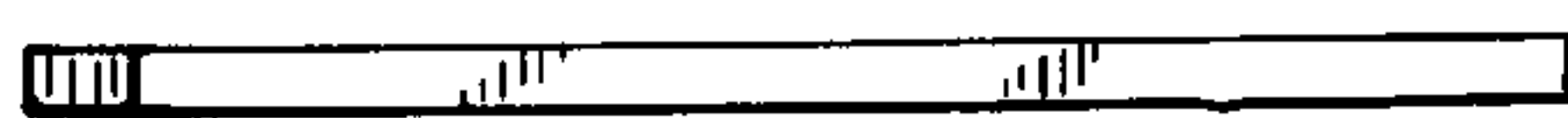
**FIG-10**



**FIG-11**



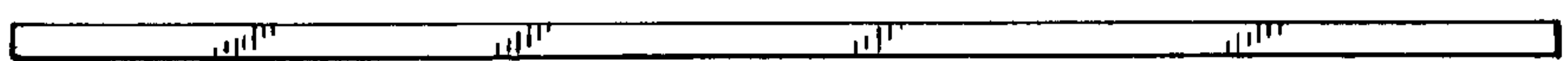
**FIG-12**



**FIG-13**

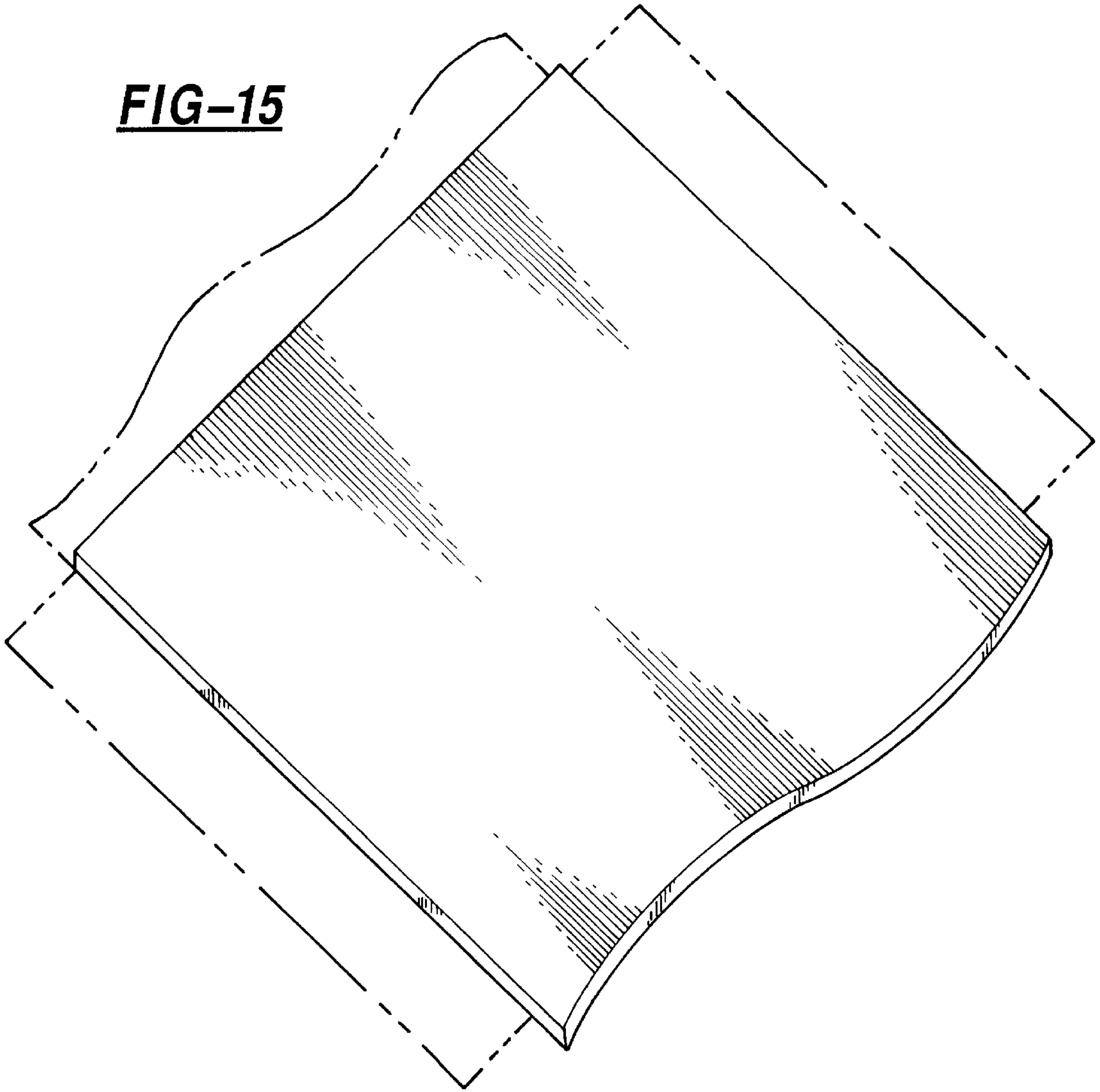


**FIG-14**

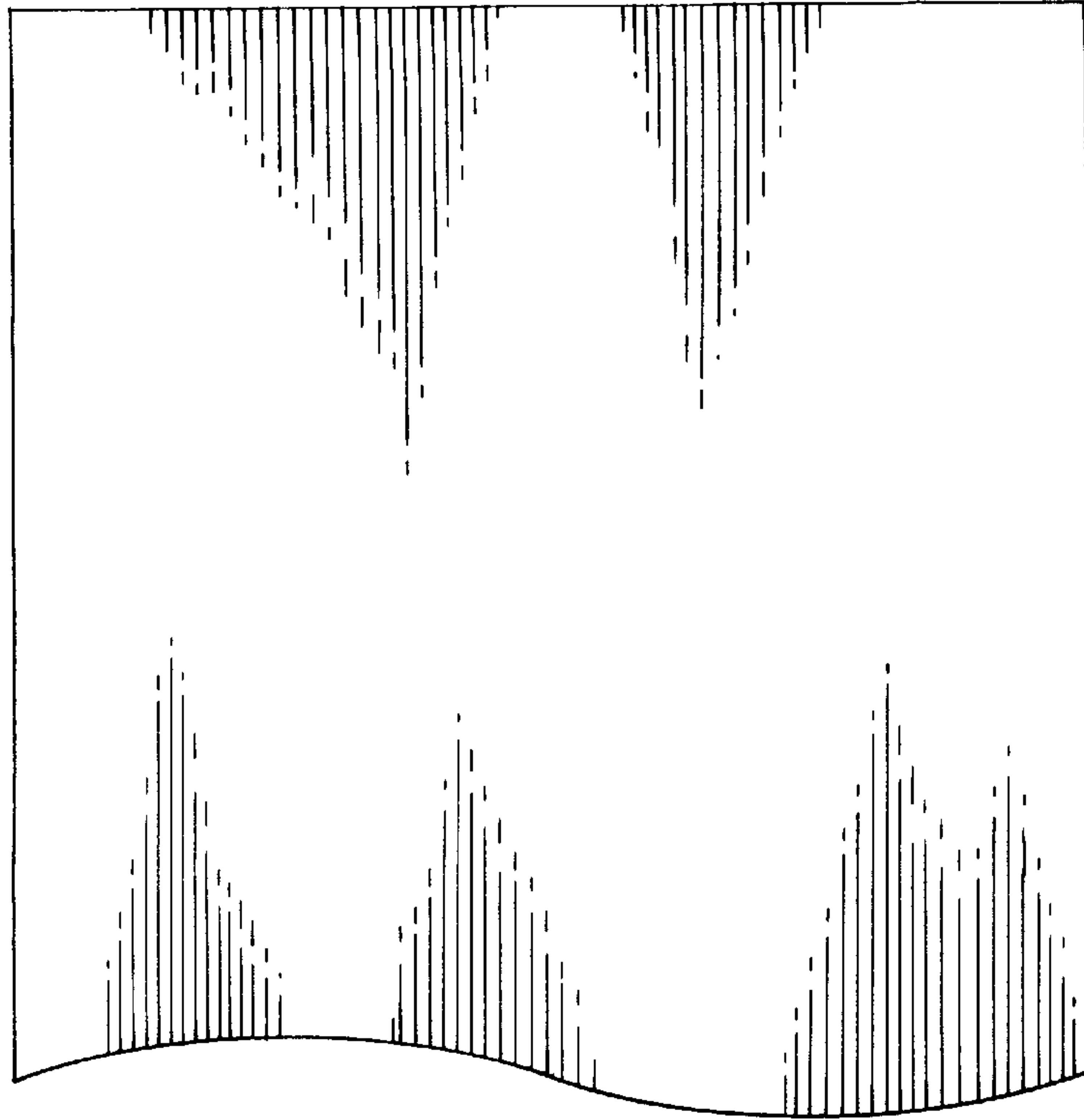




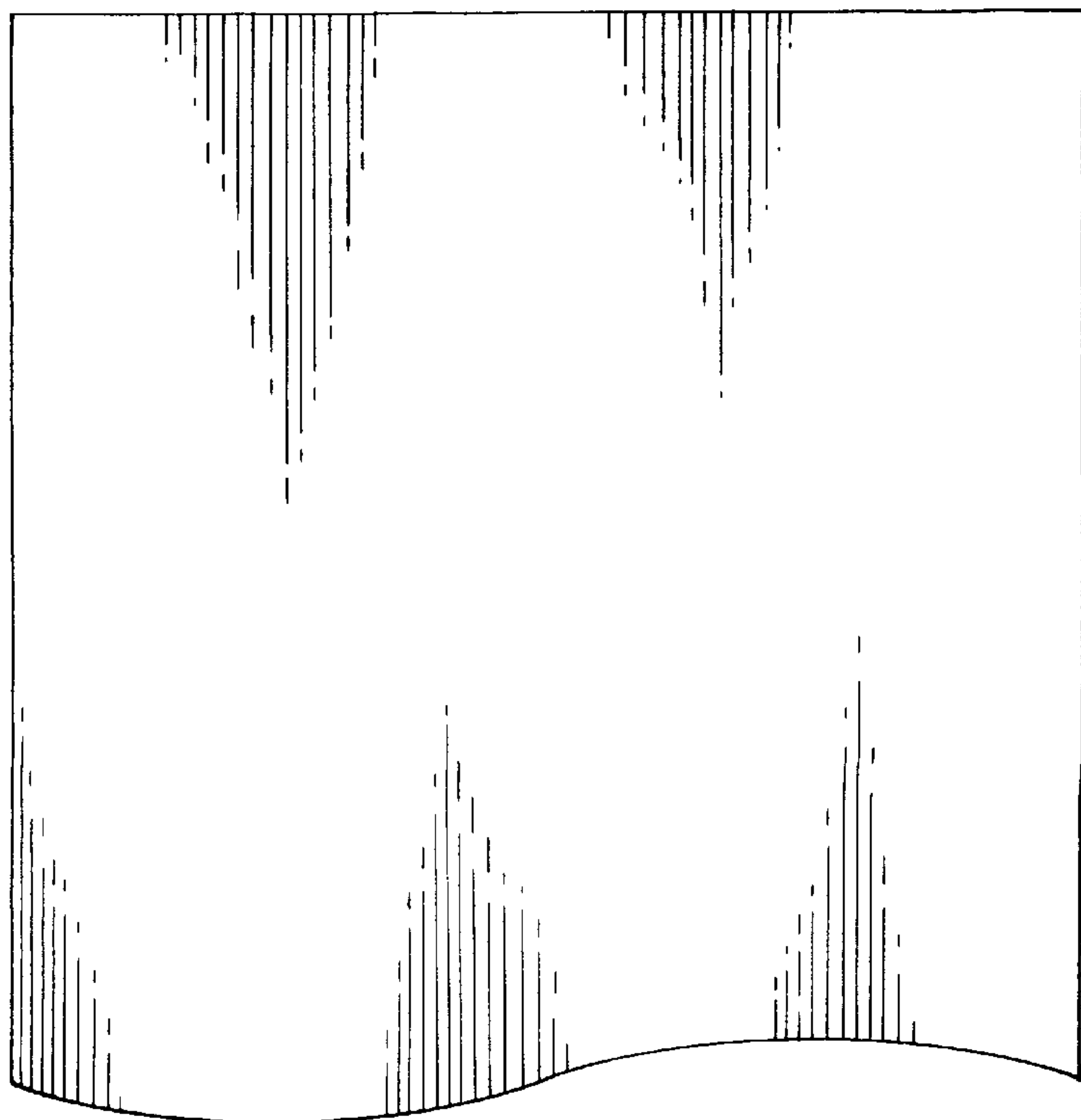
**FIG-15**



**FIG-16**



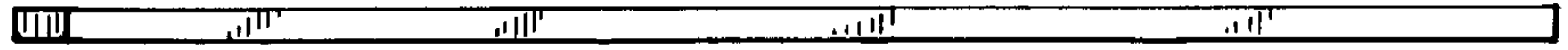
**FIG-17**



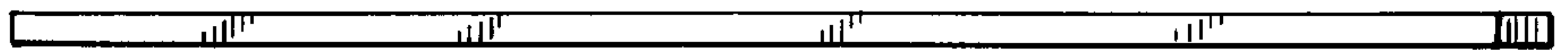
**FIG-18**



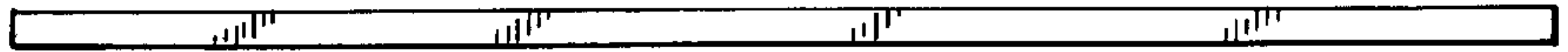
**FIG-19**



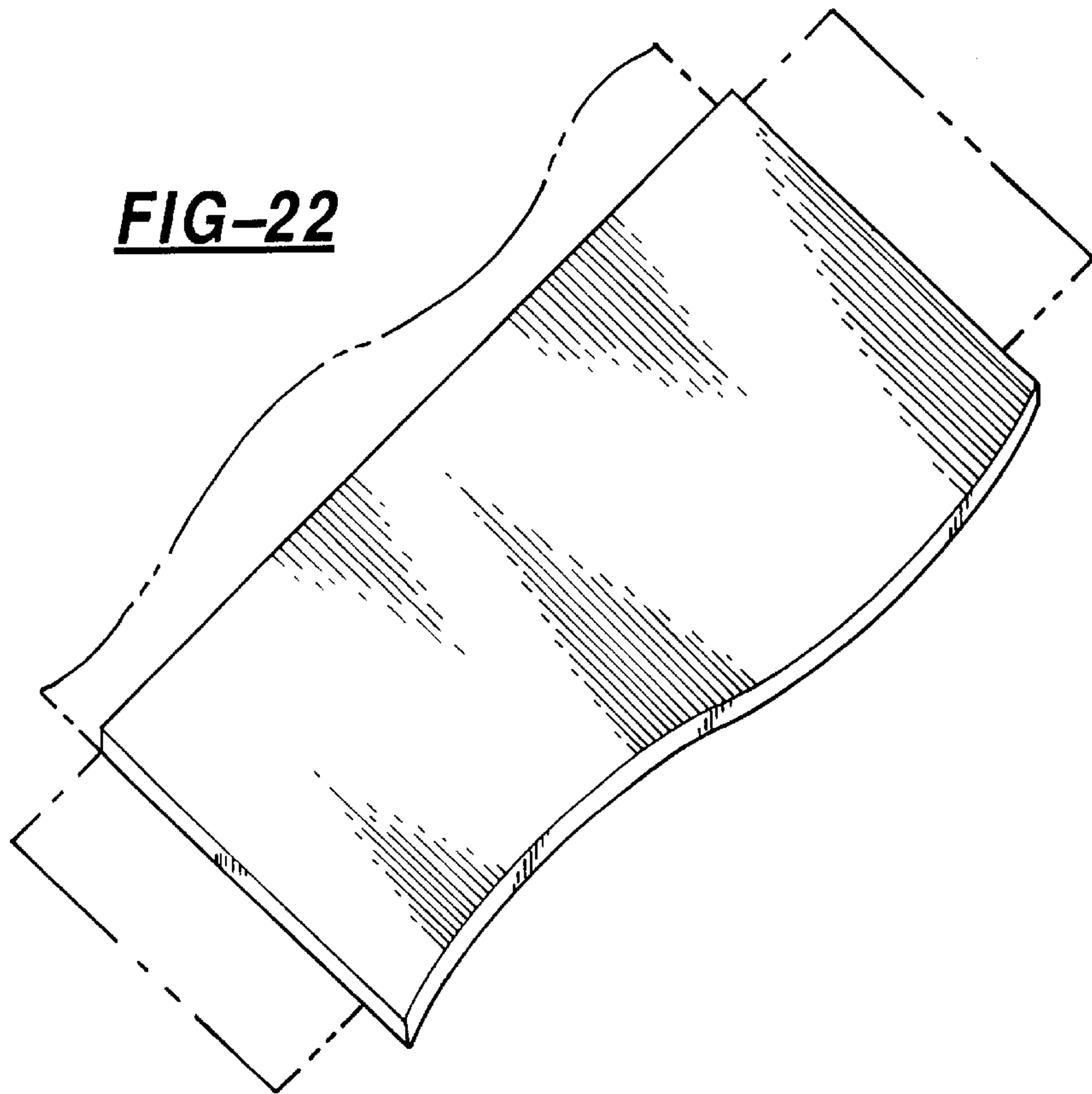
**FIG-20**



**FIG-21**

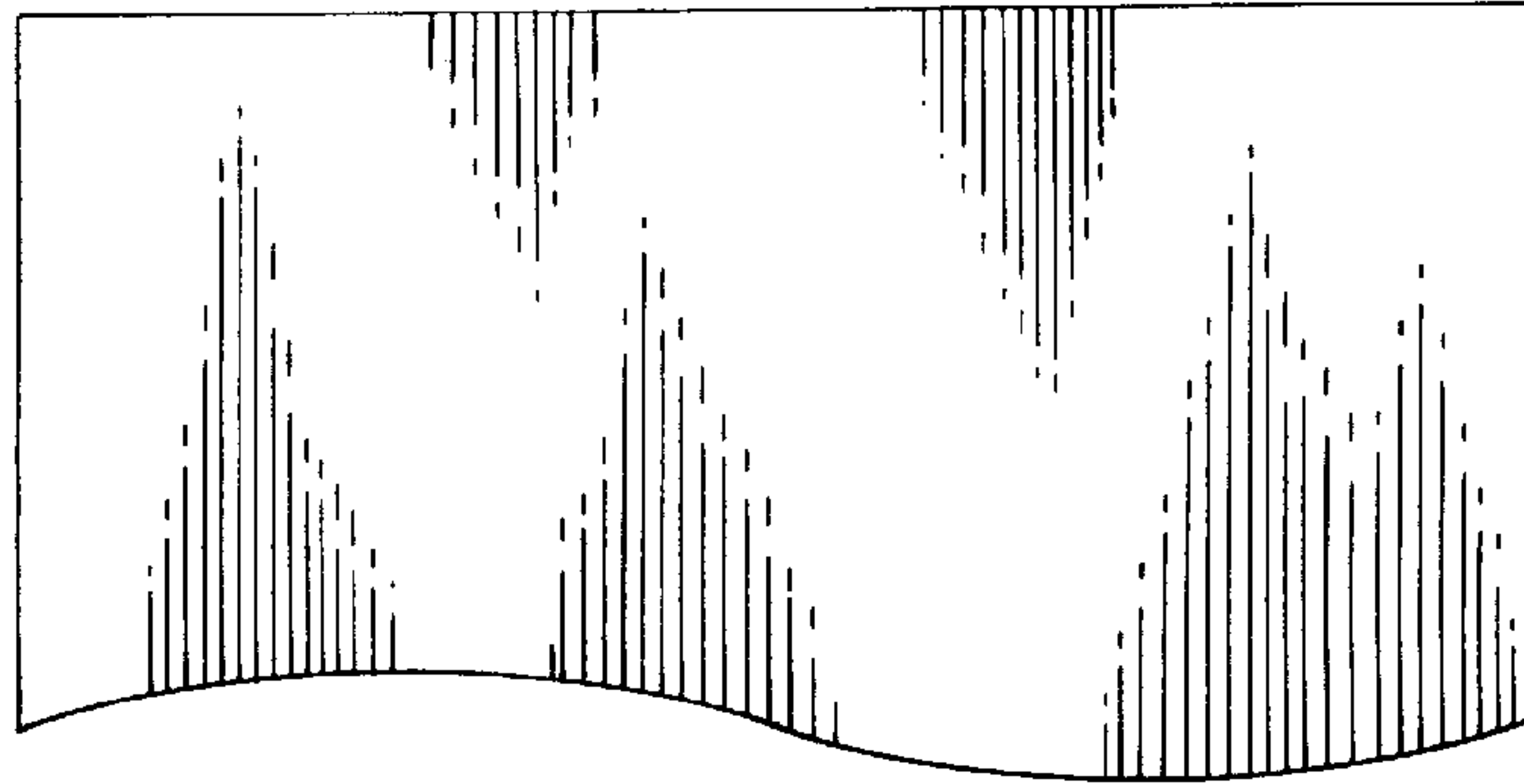


**FIG-22**

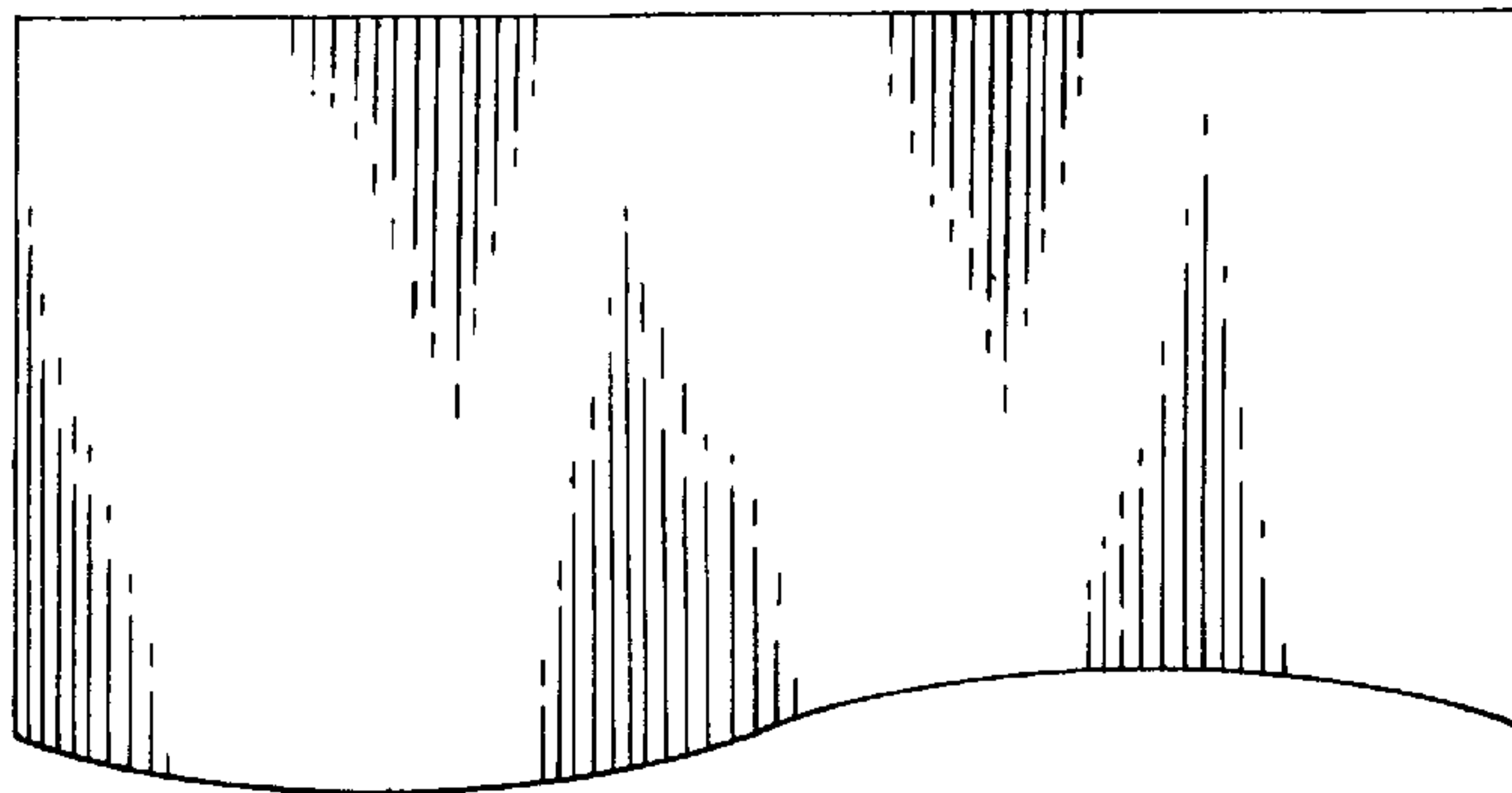




**FIG-23**



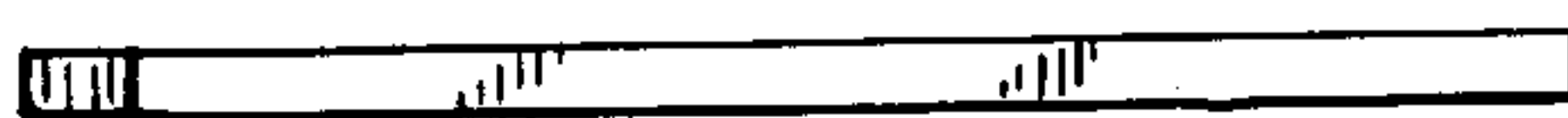
**FIG-24**



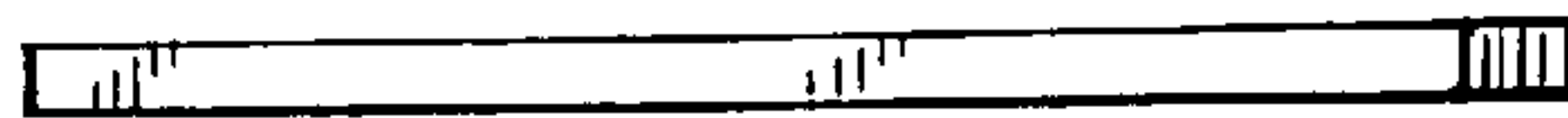
**FIG-25**



**FIG-26**



**FIG-27**



**FIG-28**

