



US00D436523S

(12) **United States Design Patent**
Smith

(10) **Patent No.:** **US D436,523 S**

(45) **Date of Patent:** **** Jan. 23, 2001**

(54) **TOGGLE BOLT**

5,898,987 * 5/1999 Onofrio 52/506.06

(76) Inventor: **Stephen Gerard Smith**, 8 Saltbush
Glade, Frankston, Victoria, 3199 (AU)

* cited by examiner

(**) Term: **14 Years**

Primary Examiner—James Gandy

Assistant Examiner—Reid Hecker

(21) Appl. No.: **29/115,145**

(74) *Attorney, Agent, or Firm*—Birch, Stewart, Kolasch &
Birch, LLP

(22) Filed: **Dec. 9, 1999**

(57) **CLAIM**

(30) **Foreign Application Priority Data**

The ornamental design for a toggle bolt, as shown and
described.

Jun. 30, 1999 (AU) 2044/1999

DESCRIPTION

(51) **LOC (7) Cl.** **08-08**

(52) **U.S. Cl.** **D8/385**

(58) **Field of Search** D8/382, 384, 385;
D23/260; 411/340, 342, 371, 24, 55, 915,
957; 256/68; 52/506.06

FIG. 1 is a perspective view of a first embodiment of the
toggle bolt;

FIG. 2 is a front view of the toggle bolt of FIG. 1;

FIG. 3 is a side view of the toggle bolt of FIG. 1;

FIG. 4 is a plan view of the toggle bolt of FIG. 1;

FIG. 5 is a perspective view of a second embodiment of the
toggle bolt, the only difference being in the addition of a
third arrow shaped anchor means; and,

FIG. 6 is a perspective view of a third embodiment of the
toggle bolt, the only difference being in the addition of a
fourth arrow shaped anchor means.

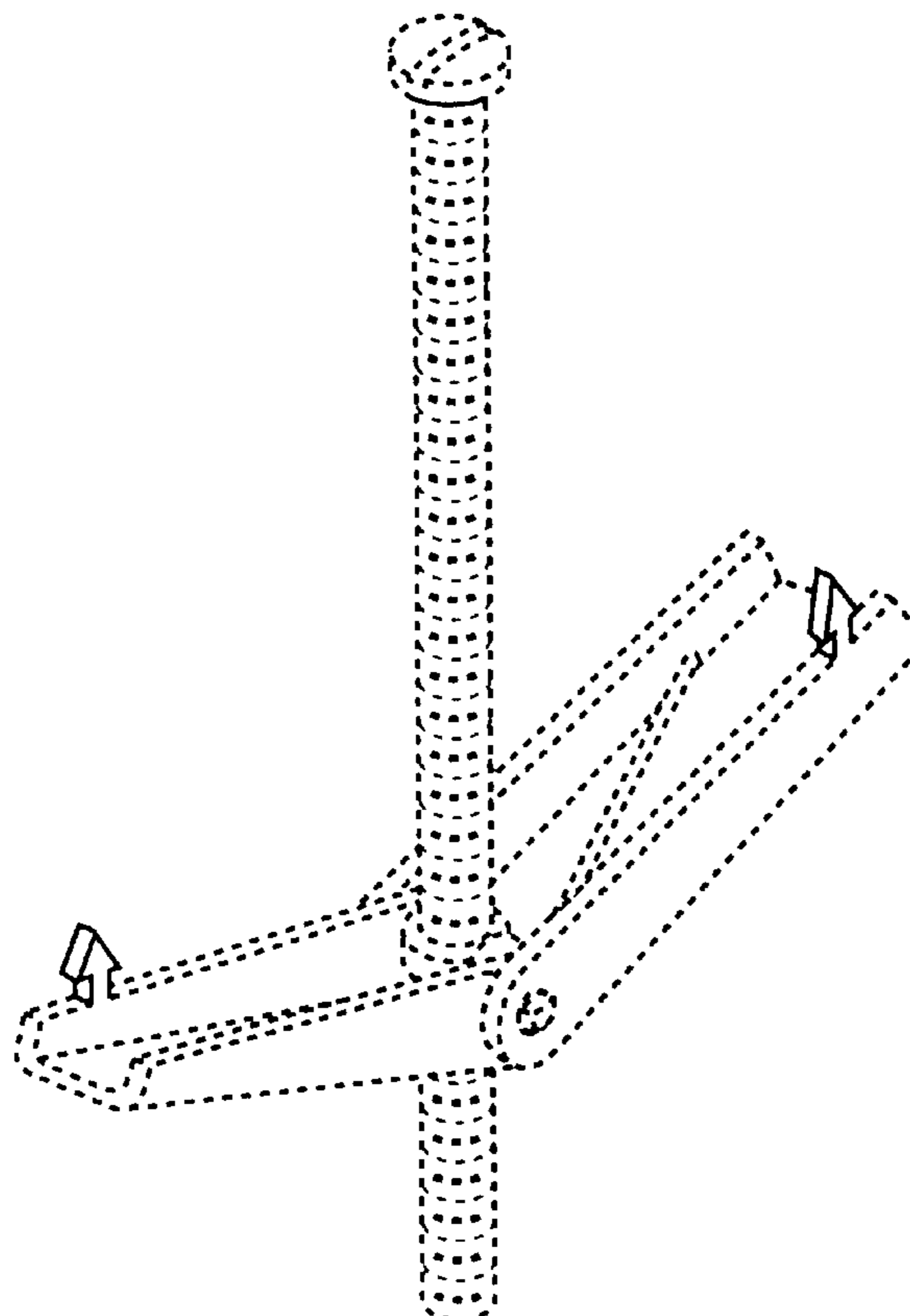
(56) **References Cited**

U.S. PATENT DOCUMENTS

D. 299,312	*	1/1989	Laessle	D8/385
D. 341,142	*	11/1993	Rogers et al.	D23/260
1,153,797	*	9/1915	Kegreisz	411/24
4,392,763	*	7/1983	Brown	411/342
4,616,968	*	10/1986	Giannuzzi	411/342
4,809,477	*	3/1989	Gasser	411/342
5,163,796	*	11/1992	Belser	411/342
5,209,621	*	5/1993	Burbidge	411/340
5,427,359	*	6/1995	Moulton	256/68

The broken line showing of environmental structure is for
illustrative purposes only and forms no part of the claimed
design.

1 Claim, 3 Drawing Sheets



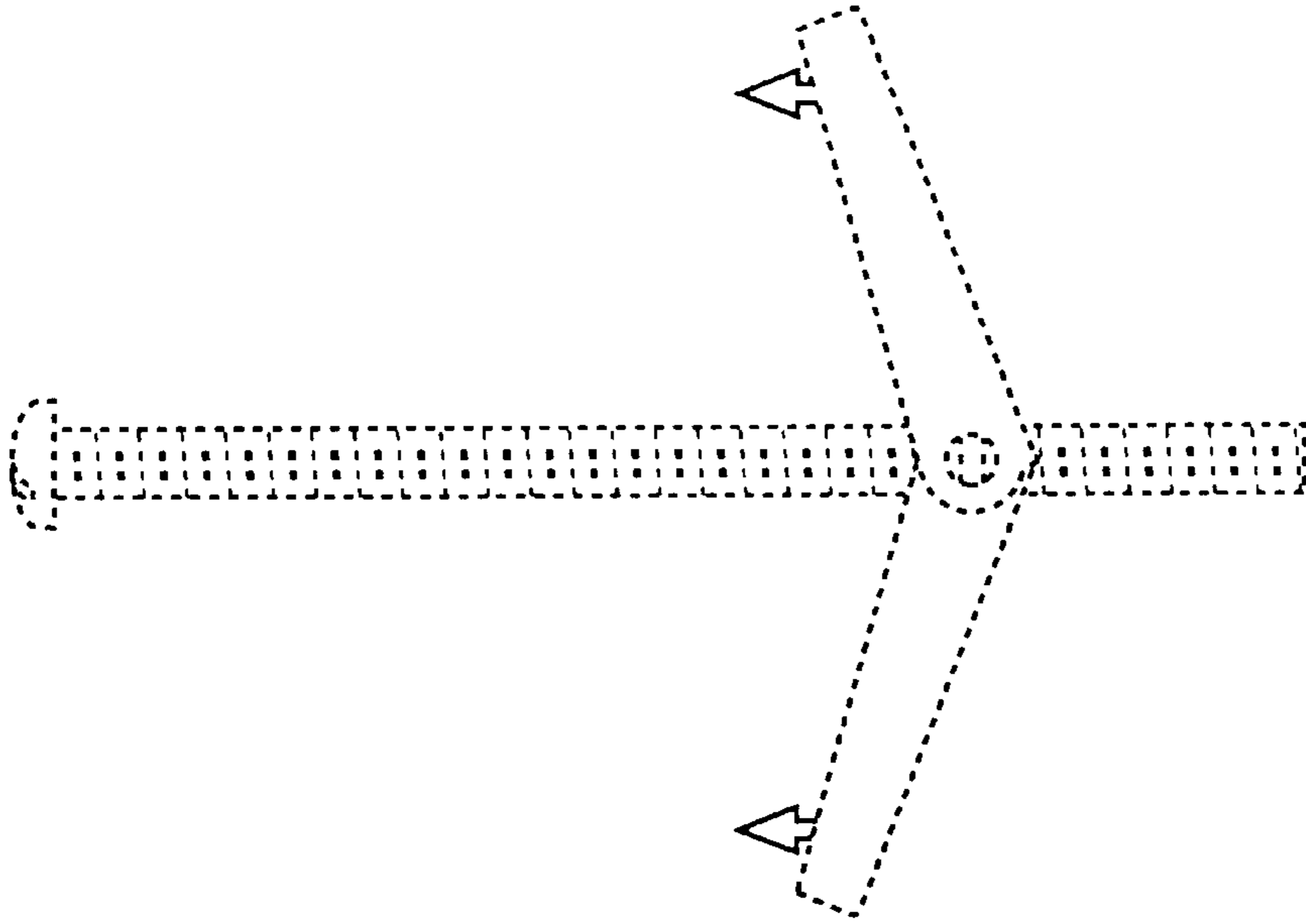


FIG. 1

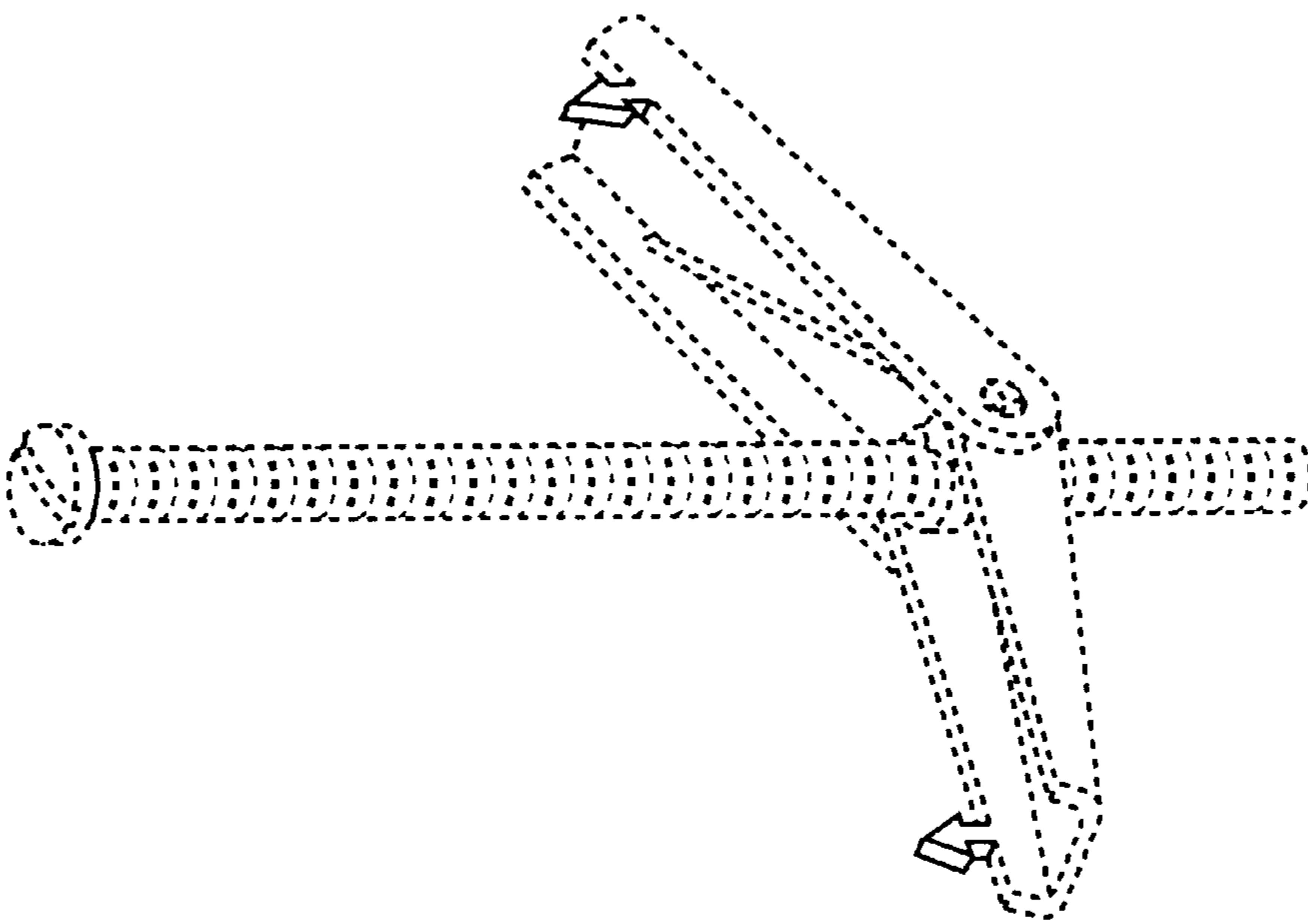


FIG. 2

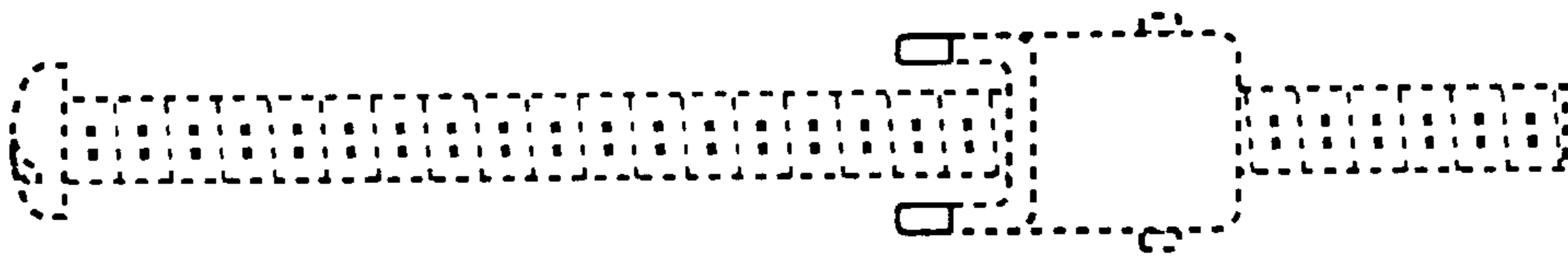


FIG. 3

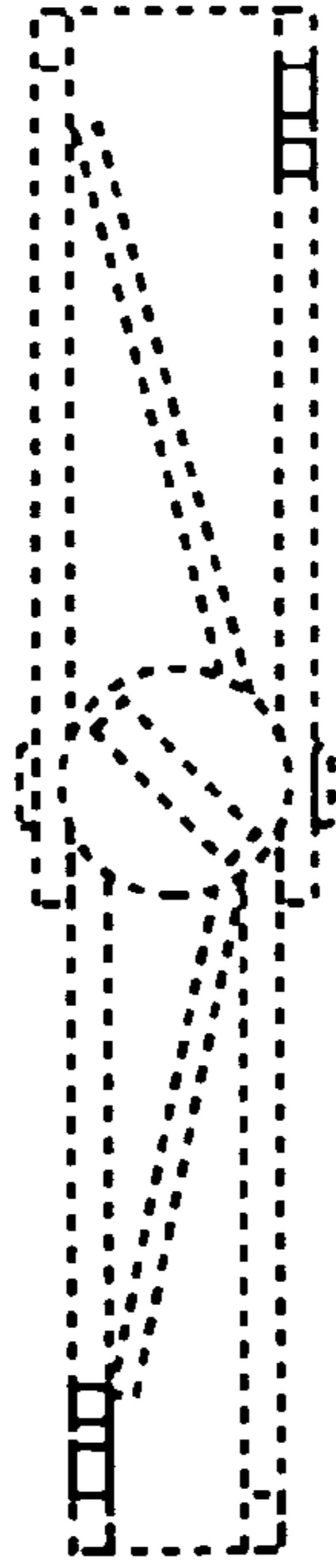


FIG. 4

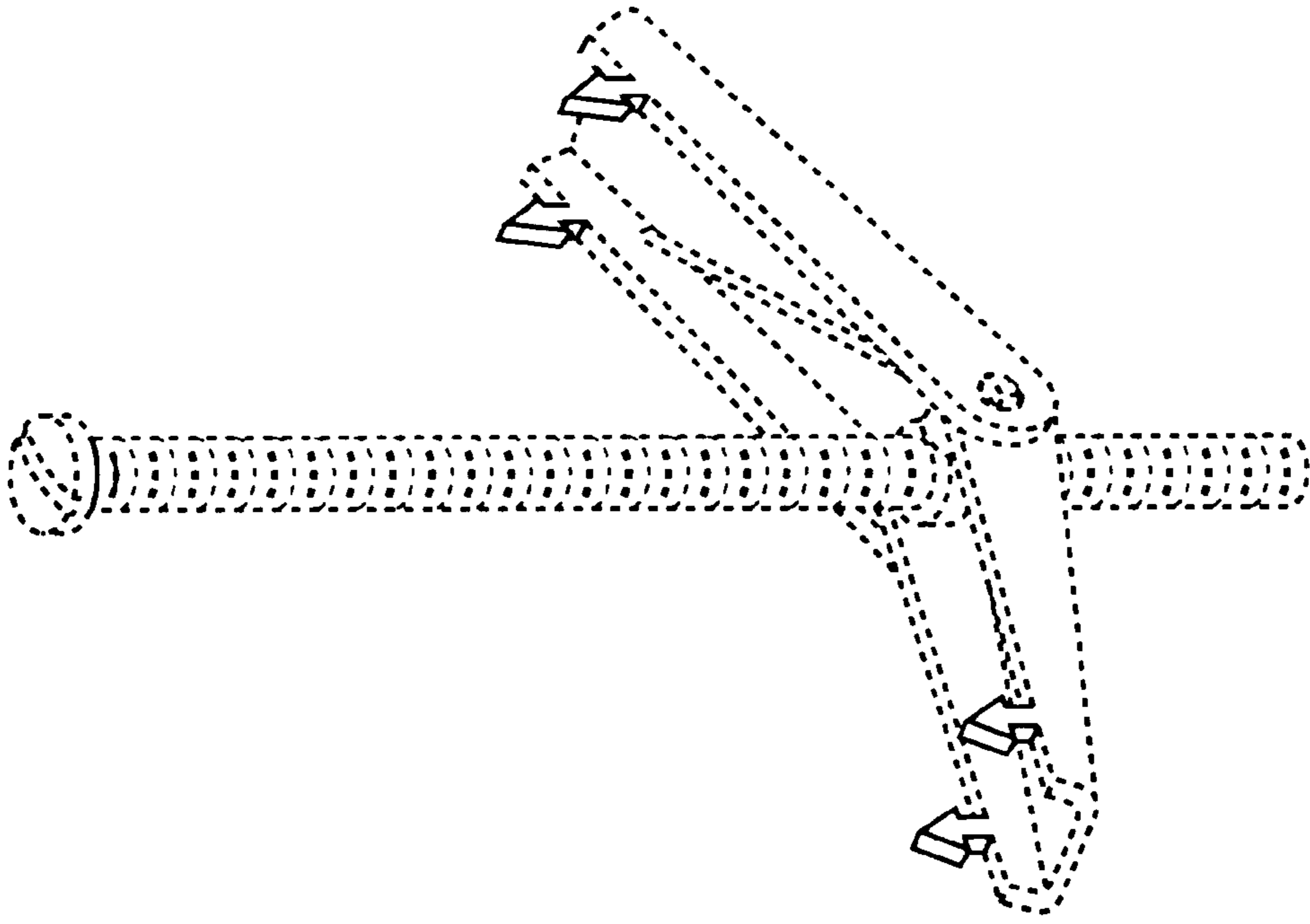


FIG. 5

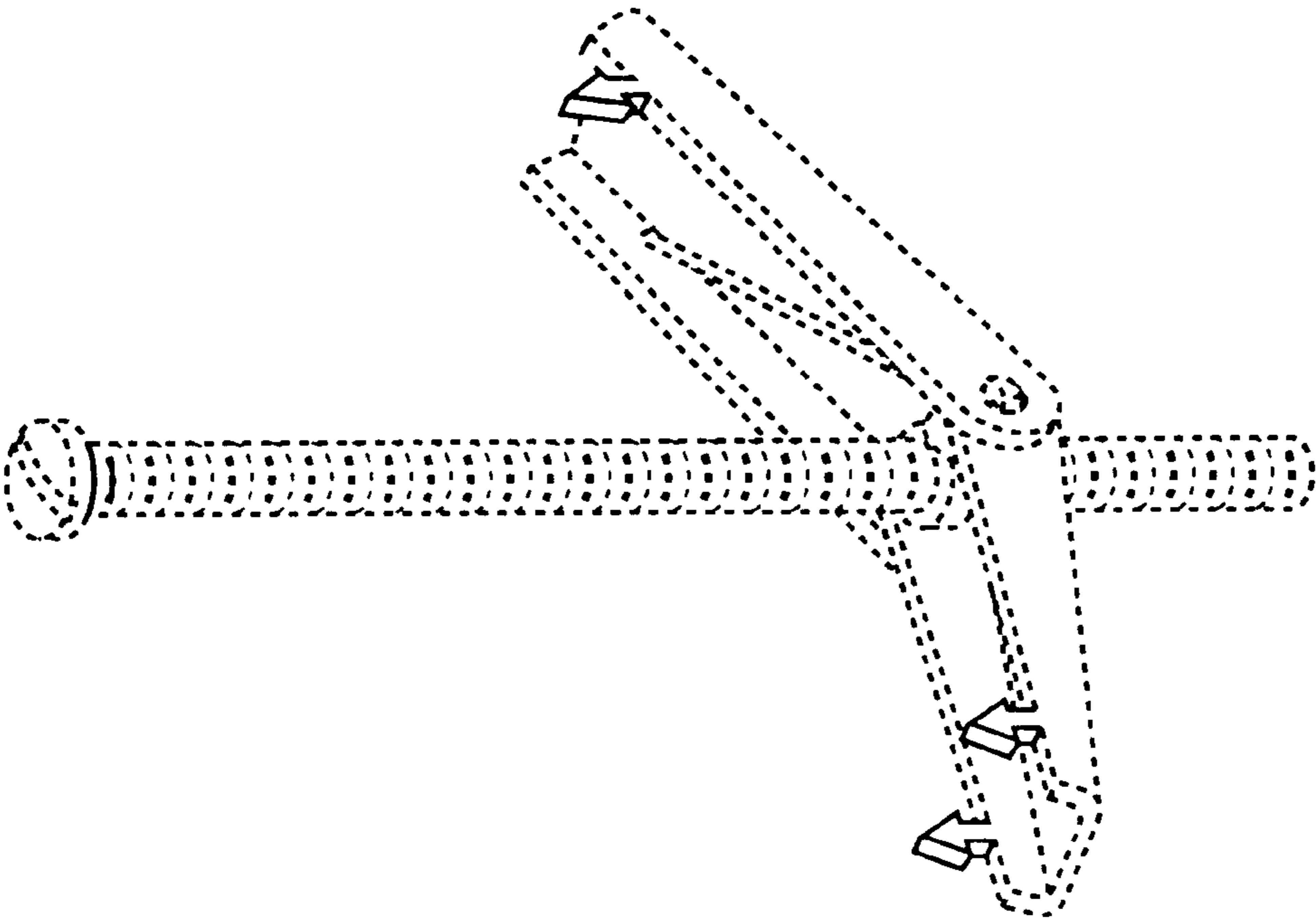


FIG. 6