



US00D436522S

(12) **United States Design Patent**  
**Neider et al.**

(10) **Patent No.:** **US D436,522 S**

(45) **Date of Patent:** **\*\* Jan. 23, 2001**

(54) **PIPE SUPPORTING DEVICE**

(75) Inventors: **Michael A. Neider**, Sandy; **Nathan M. Sargent**, Coalville, both of UT (US)

(73) Assignee: **Miro Industries, Inc.**, Sandy, UT (US)

(\*\*) Term: **14 Years**

(21) Appl. No.: **29/118,012**

(22) Filed: **Feb. 2, 2000**

(51) **LOC (7) Cl.** ..... **08-05**

(52) **U.S. Cl.** ..... **D8/380**

(58) **Field of Search** ..... D8/354, 380; 248/62, 248/73, 68.1, 74.1-744, 65, 205.3, 49

(56) **References Cited**

**U.S. PATENT DOCUMENTS**

|             |        |                    |           |
|-------------|--------|--------------------|-----------|
| 4,513,934 * | 4/1985 | Pruyne .....       | 248/49    |
| 4,899,963 * | 2/1990 | Murphy .....       | 248/65    |
| 5,323,992 * | 6/1994 | Sifers et al. .... | 248/205.3 |

\* cited by examiner

*Primary Examiner*—Holly Baynham

(74) *Attorney, Agent, or Firm*—Kenneth E. Horton; Parsons Behle & Latimer

(57) **CLAIM**

The ornamental design for a pipe supporting device, as shown and described.

**DESCRIPTION**

The nature and intended use of the device is to support pipes, especially pipes running along a substantially horizontal surface.

FIG. 1 is a view of a pipe supporting device of the present invention;

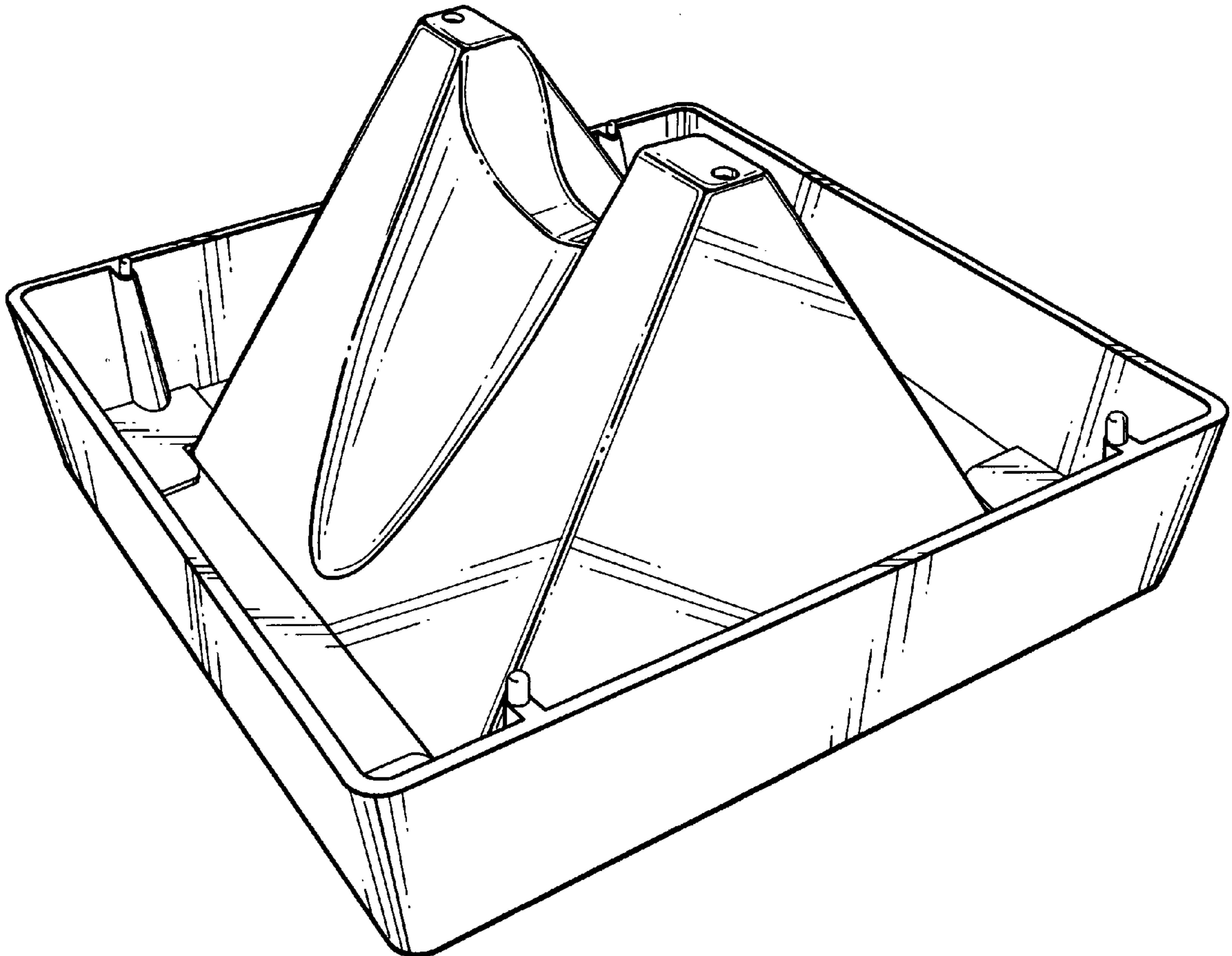
FIG. 2 is a top view of a pipe supporting device of the present invention;

FIG. 3 is a bottom view of a pipe supporting device of the present invention;

FIG. 4 is a front view of a pipe supporting device of the present invention; and,

FIG. 5 is a side view of a pipe supporting device of the present invention.

**1 Claim, 3 Drawing Sheets**



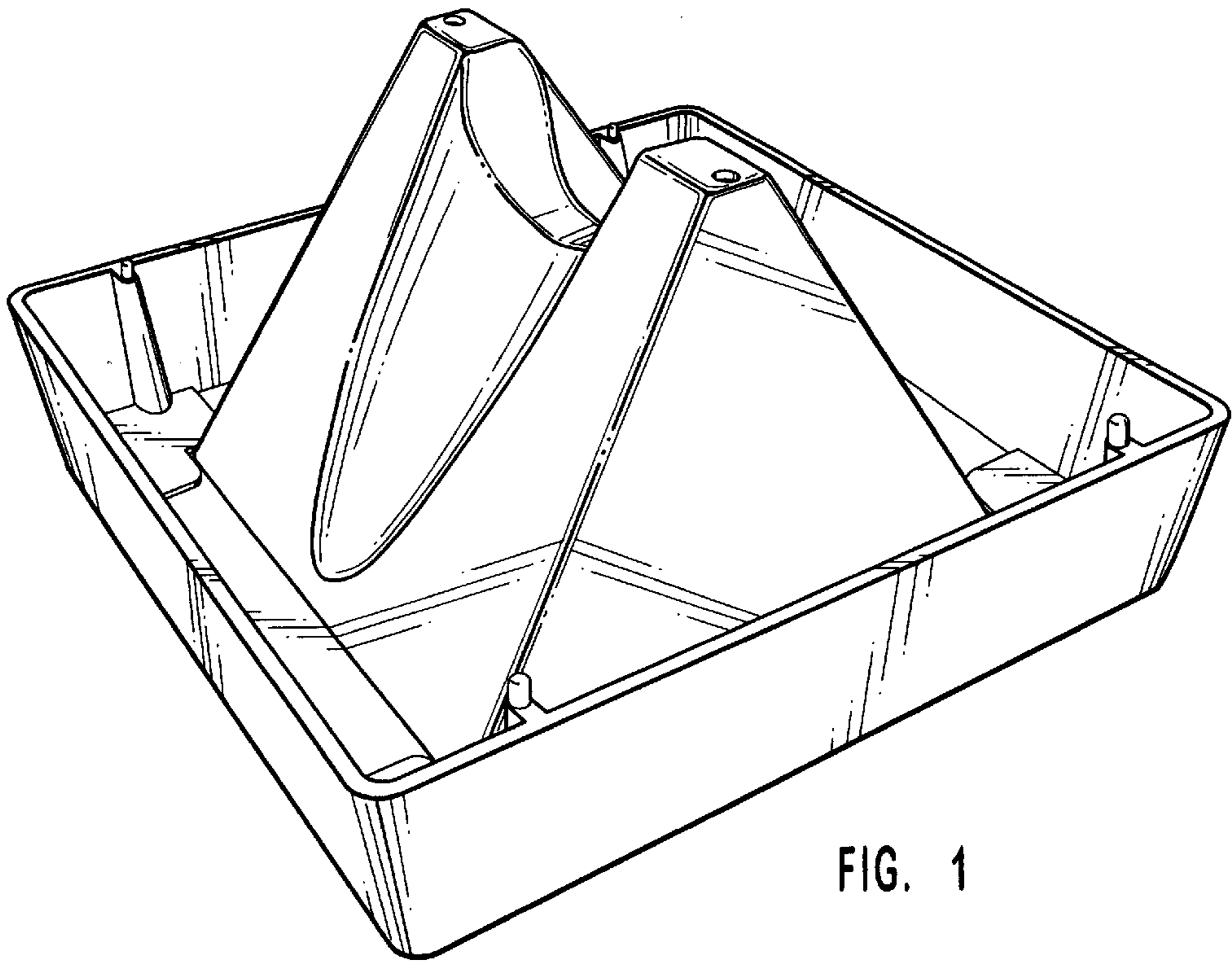


FIG. 1

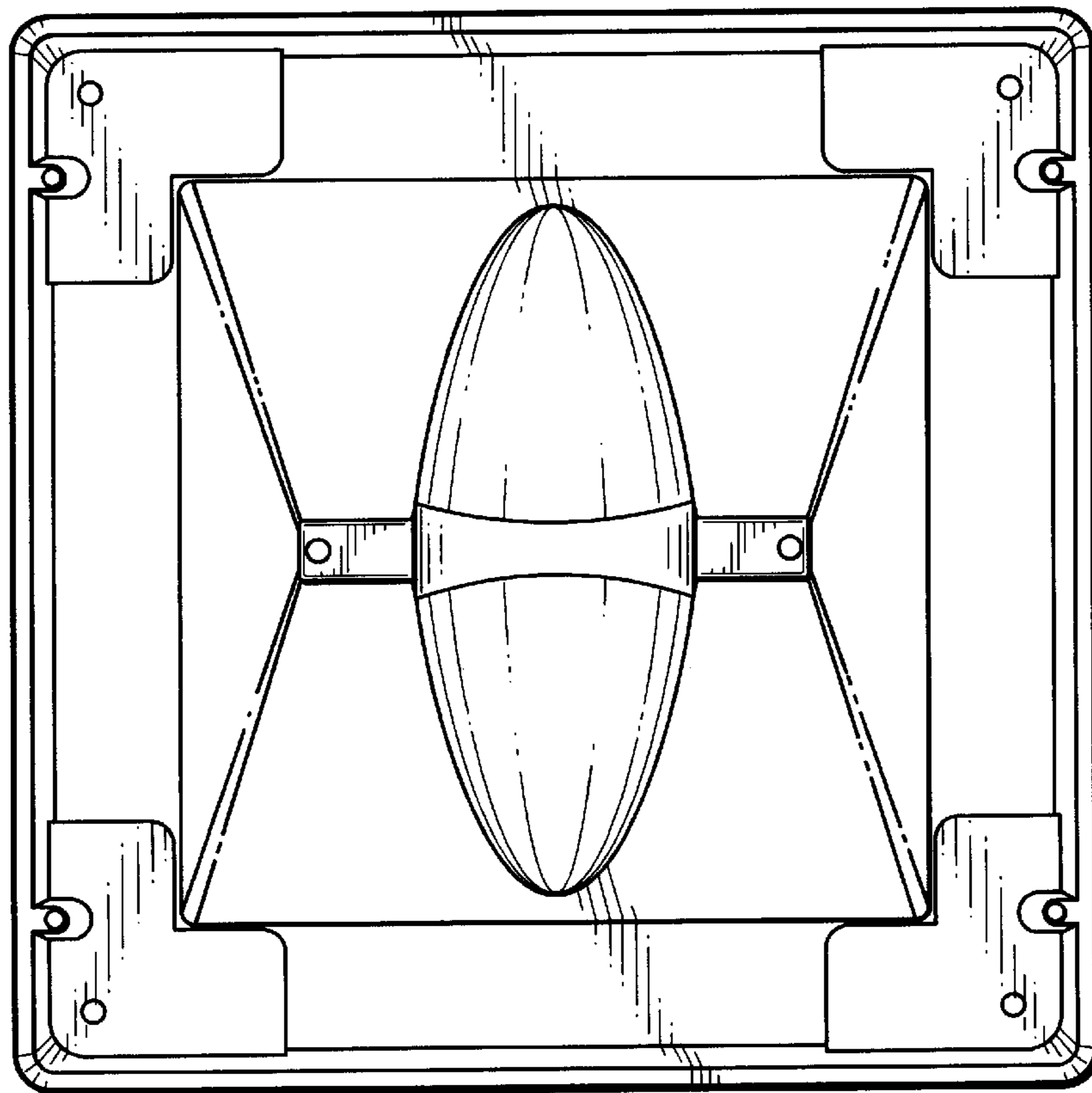


FIG. 2

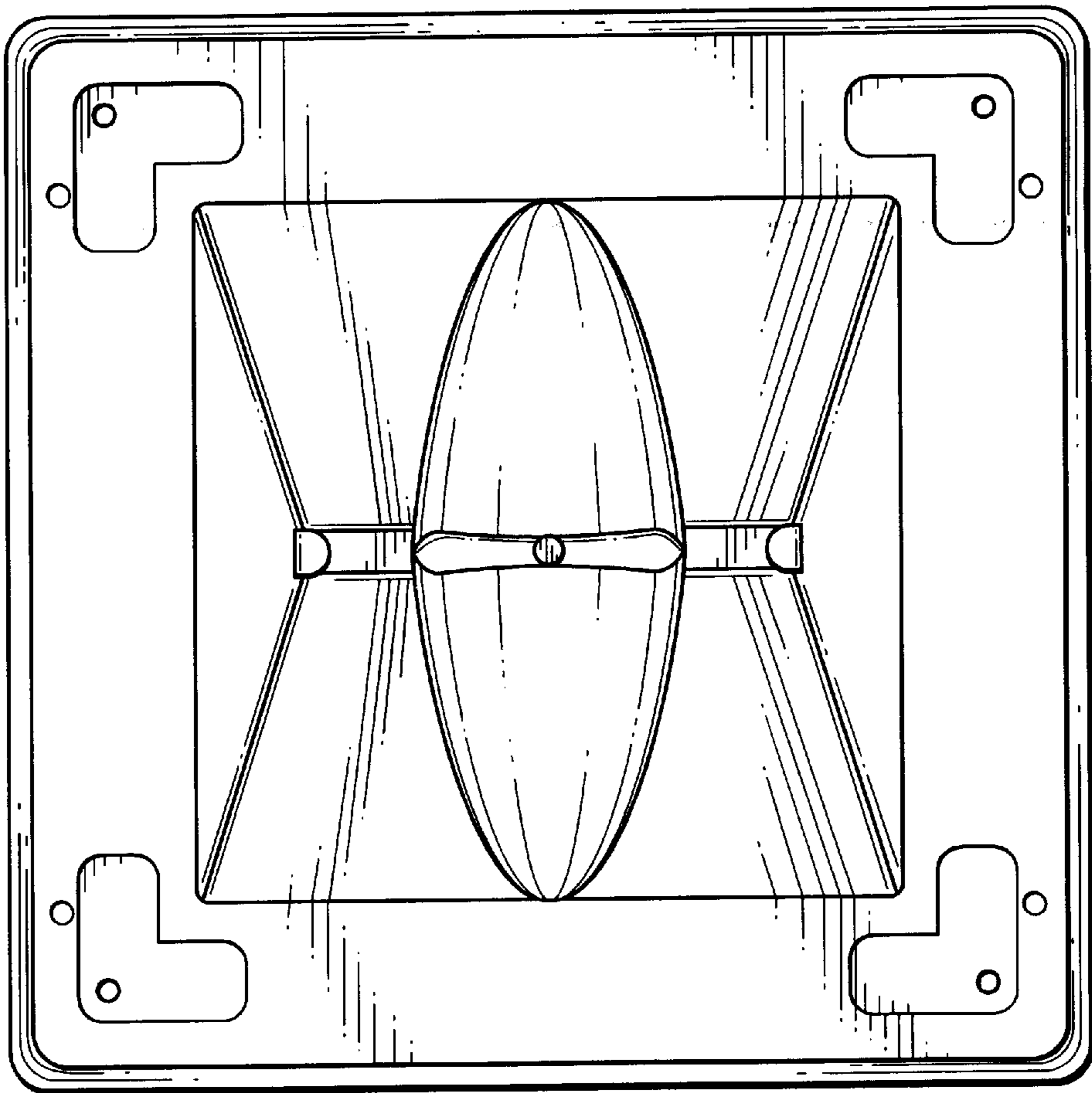


FIG. 3

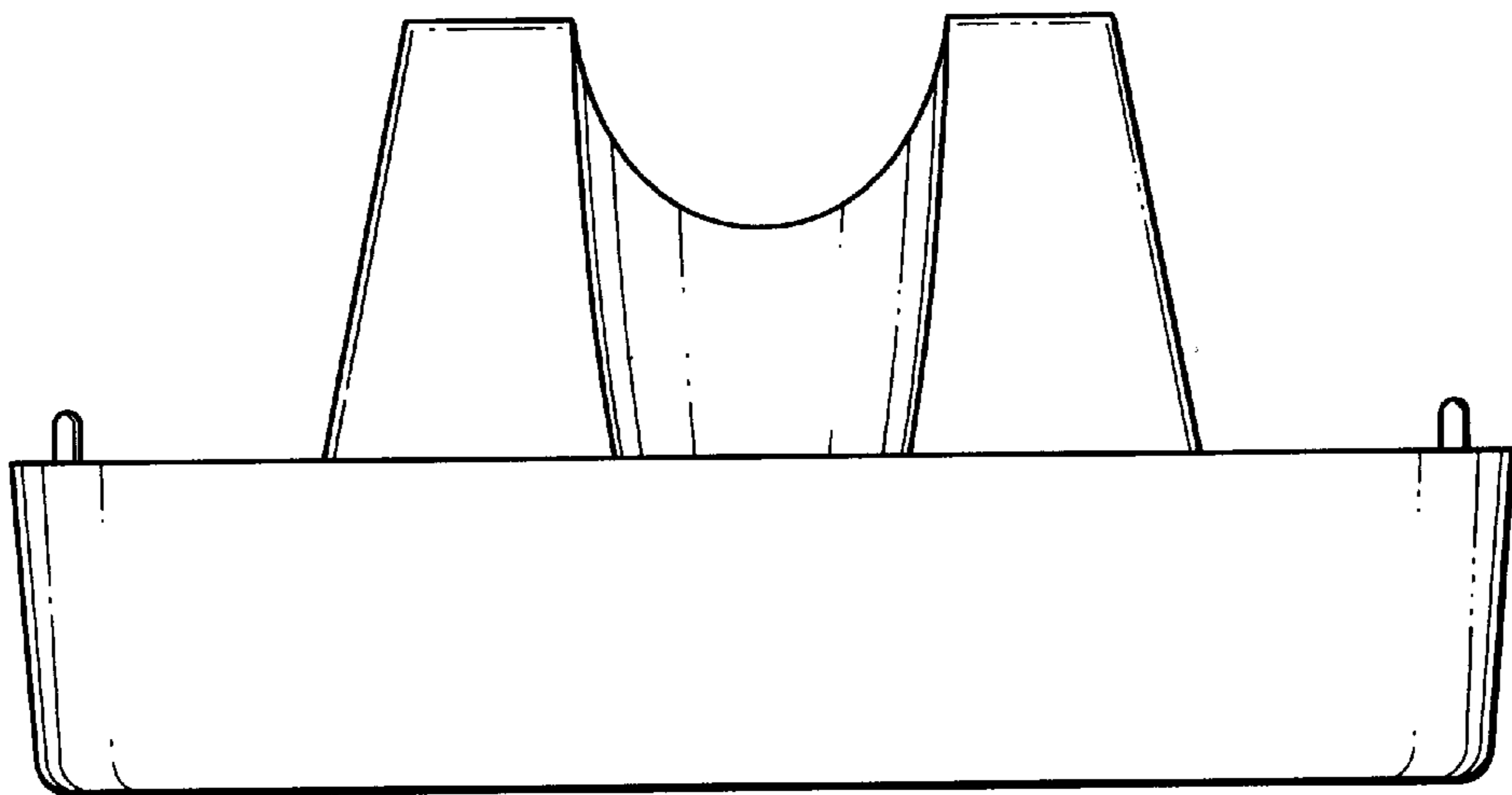


FIG. 4

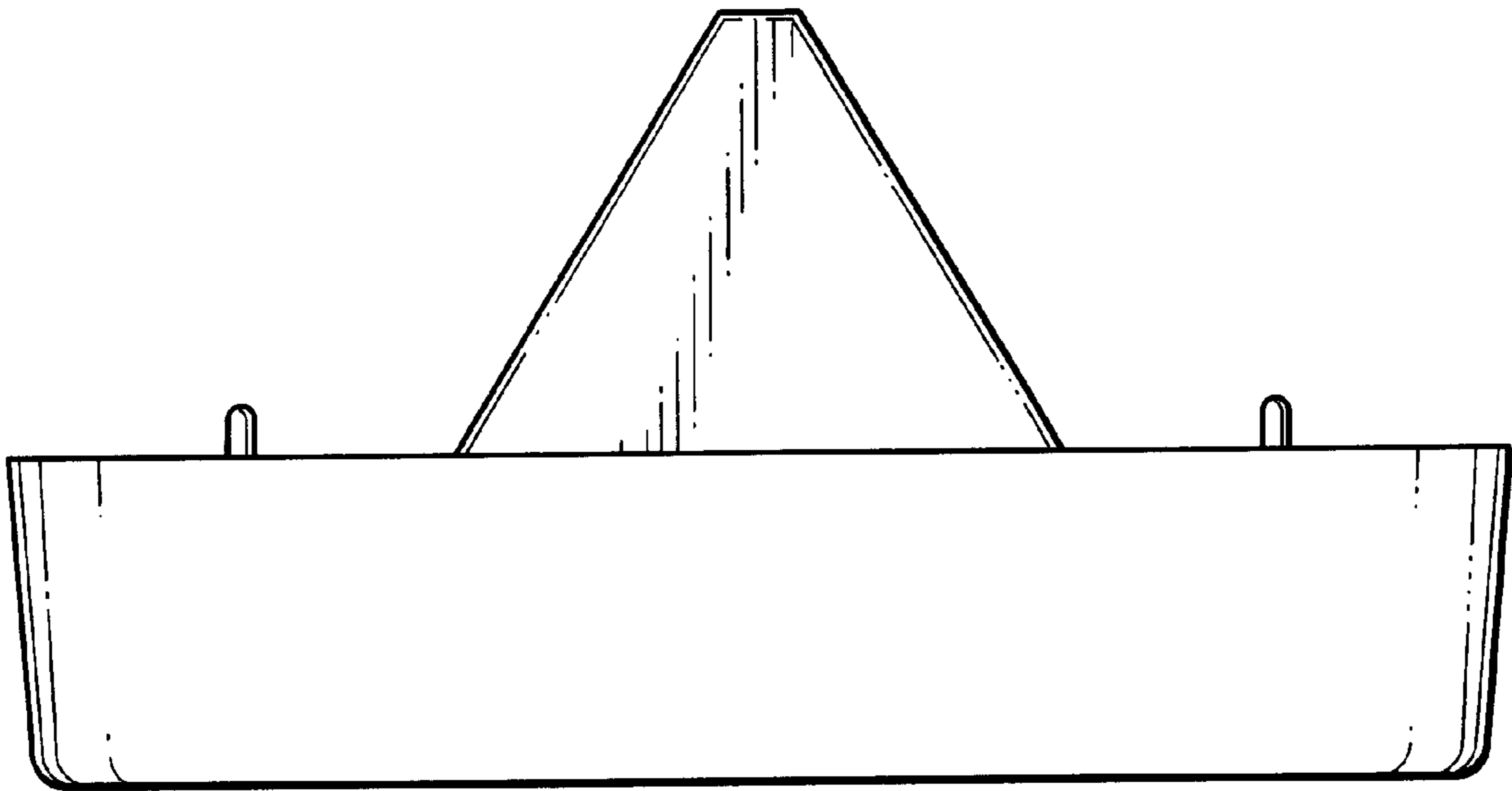


FIG. 5