



US00D436519S

(12) **United States Design Patent**  
**Shampine**

(10) **Patent No.:** **US D436,519 S**

(45) **Date of Patent:** **\*\* Jan. 23, 2001**

(54) **COILED TUBING GUIDE FOR A COILED TUBING REEL**

(74) *Attorney, Agent, or Firm*—Gordon G. Waggett; Robin C. Nava

(75) **Inventor:** **Rod W. Shampine**, Houston, TX (US)

(57) **CLAIM**

(73) **Assignee:** **Schlumberger Technology Corporation**, Sugar Land, TX (US)

The ornamental design for a coiled tubing guide for a coiled tubing reel, as shown and described.

(\*\*) **Term:** **14 Years**

**DESCRIPTION**

(21) **Appl. No.:** **29/115,054**

FIG. 1 is a side elevational view of the left side of the new design showing a coiled tubing guide for a coiled tubing reel;

(22) **Filed:** **Dec. 7, 1999**

FIG. 2 is a side elevational view of the right side of the coiled tubing guide shown in FIG. 1;

(51) **LOC (7) Cl.** ..... **08-05**

(52) **U.S. Cl.** ..... **D8/356**

FIG. 3 is a top plan view of the coiled tubing guide shown in FIGS. 1 and 2;

(58) **Field of Search** ..... D8/356; 254/134.4; 166/77.2, 85.5

FIG. 4 is a bottom plan view of the coiled tubing guide shown in FIGS. 1-3;

(56) **References Cited**

**U.S. PATENT DOCUMENTS**

5,699,996	*	12/1997	Boyle	.....	254/134.4
5,799,731	*	9/1998	Avakov et al.	.....	166/77.2
5,803,168	*	9/1998	Lormand et al.	.....	166/77.2

FIG. 5 is a rear elevational view of the coiled tubing guide shown in FIGS. 1-4; and,

FIG. 6 is a front elevational view of the coiled tubing guide shown in FIGS. 1-5.

The broken line showing of a coiled tubing reel and a partial trailer structure is for illustrative purposes only and forms no part of the claimed design.

\* cited by examiner

*Primary Examiner*—Holly Baynham

**1 Claim, 4 Drawing Sheets**

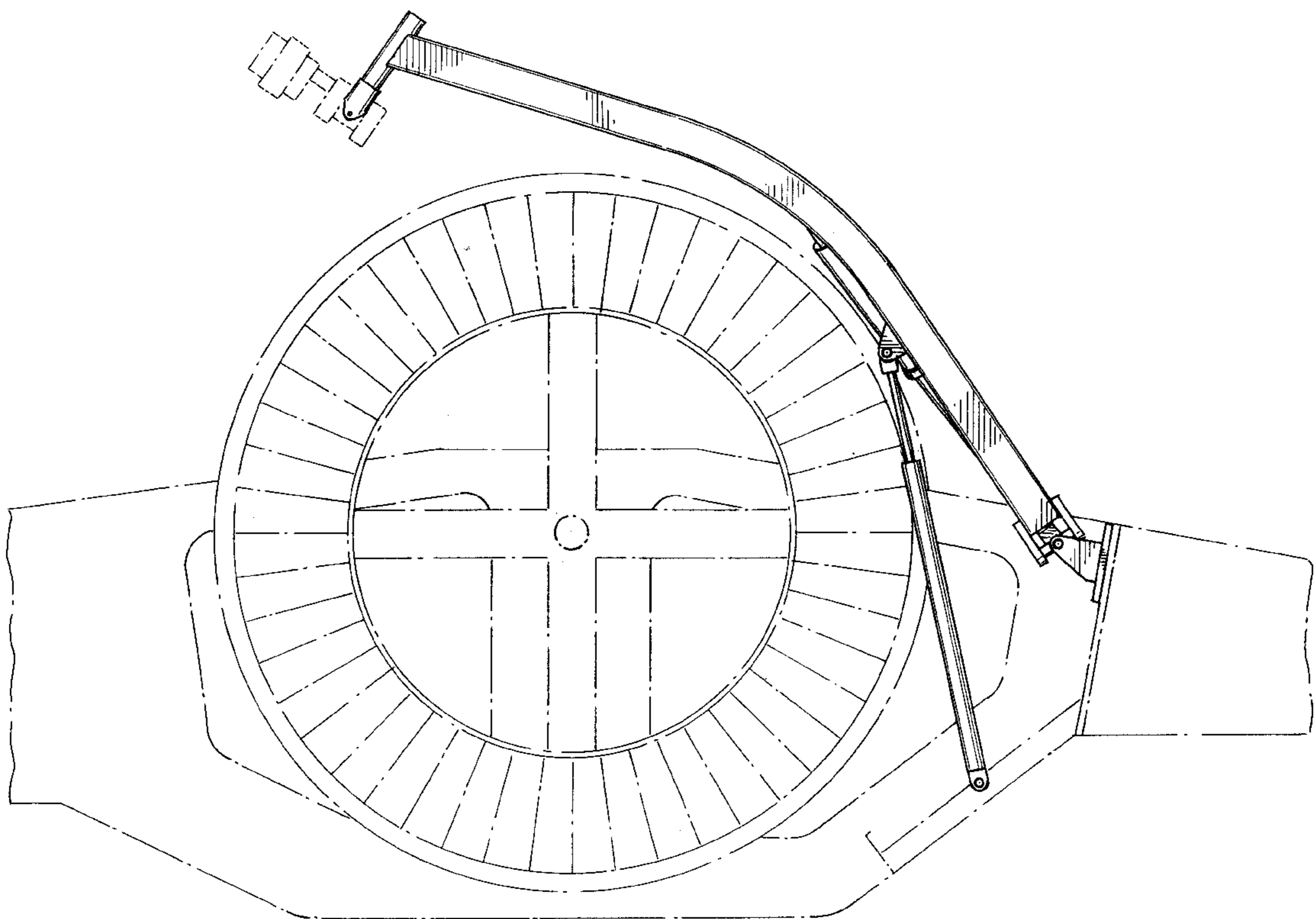
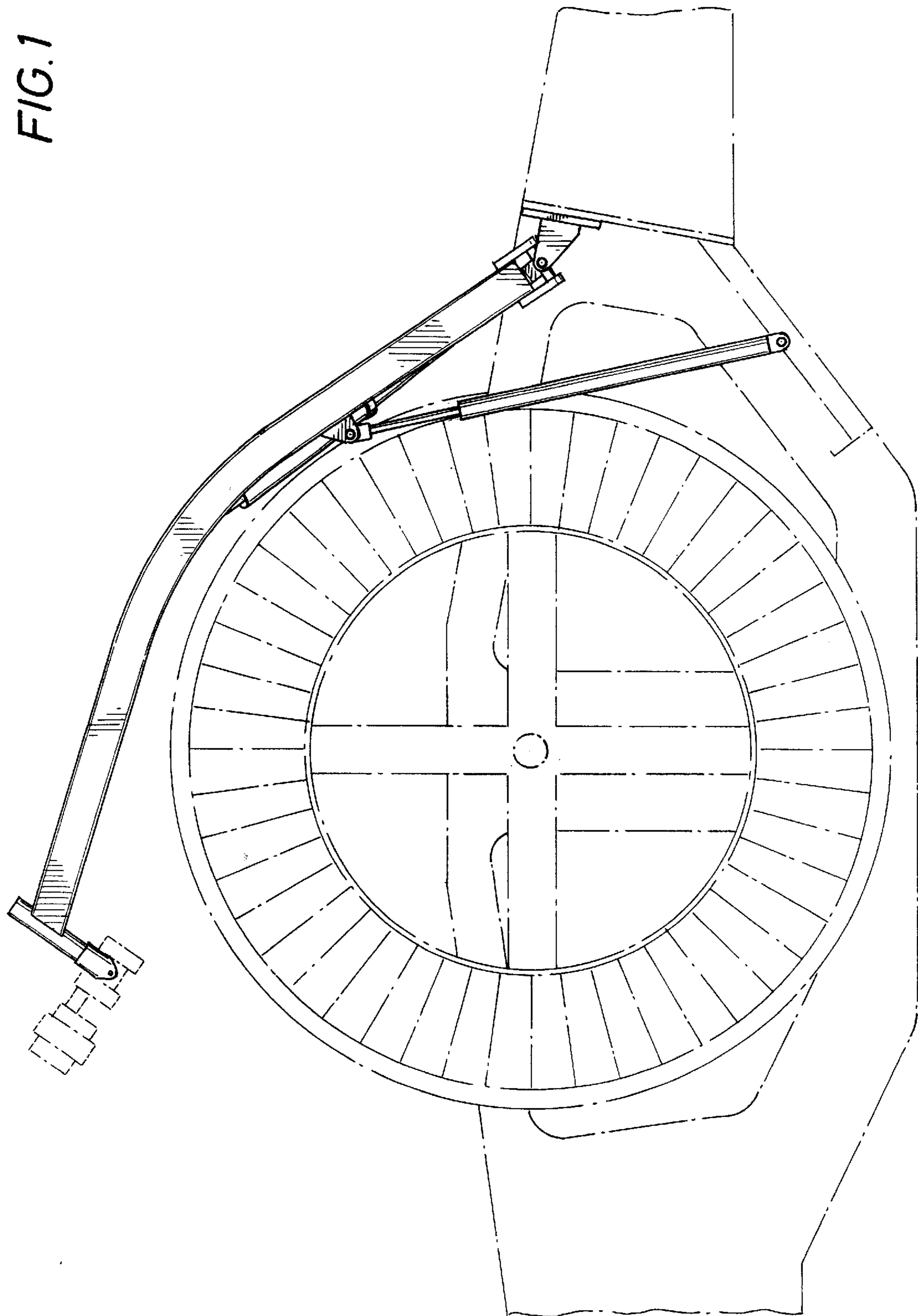


FIG. 1



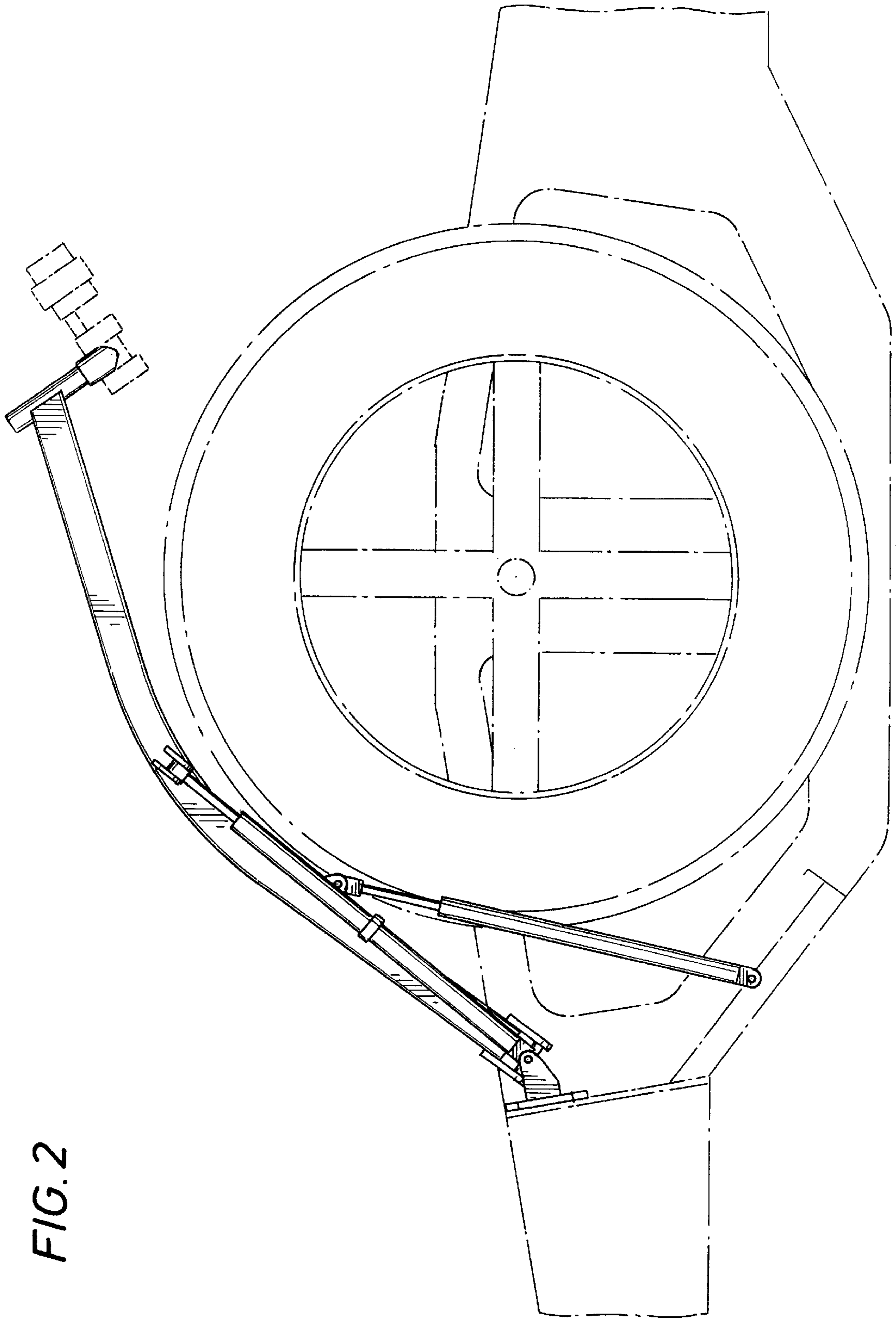


FIG. 2

FIG. 3

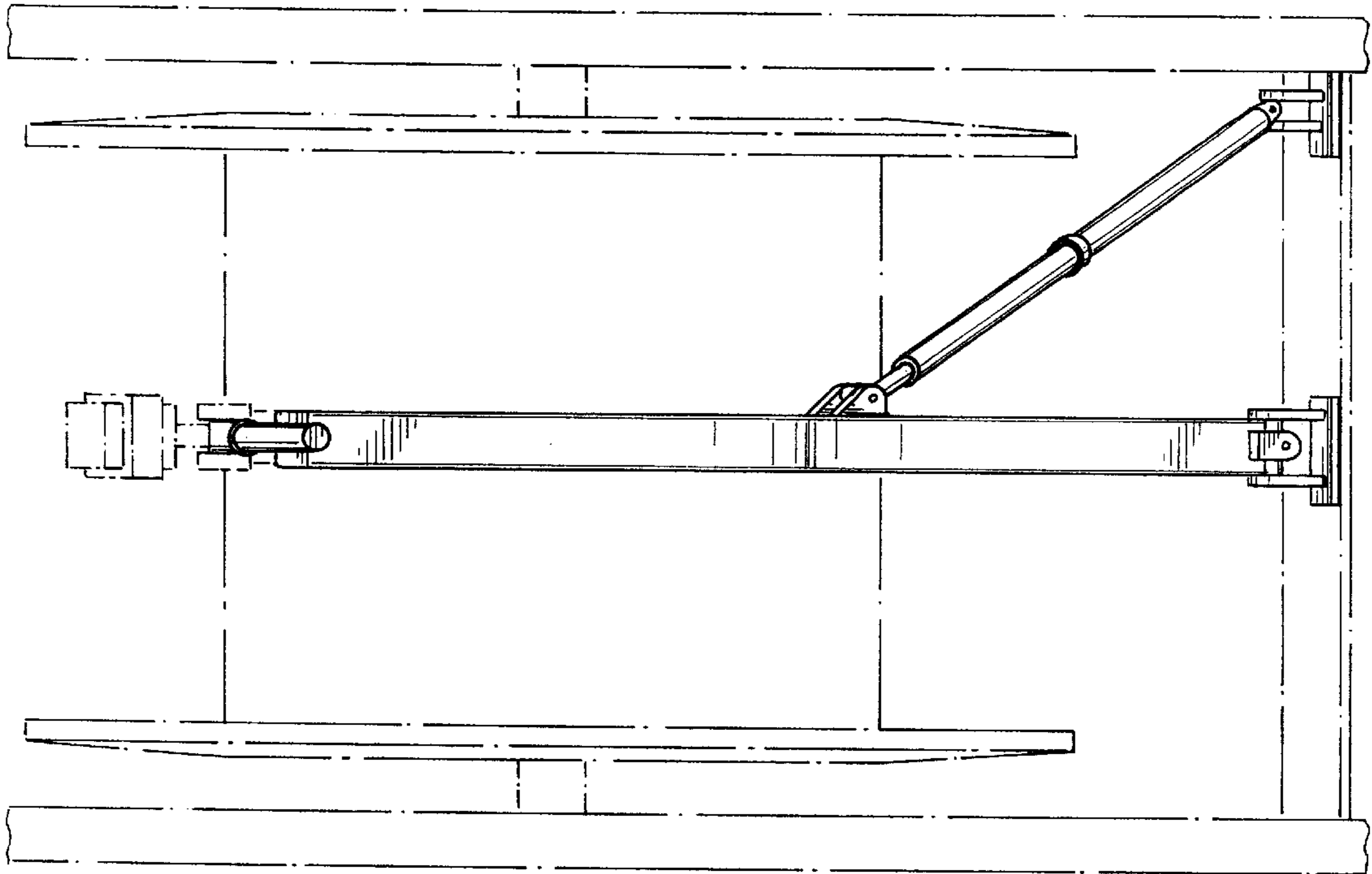


FIG. 4

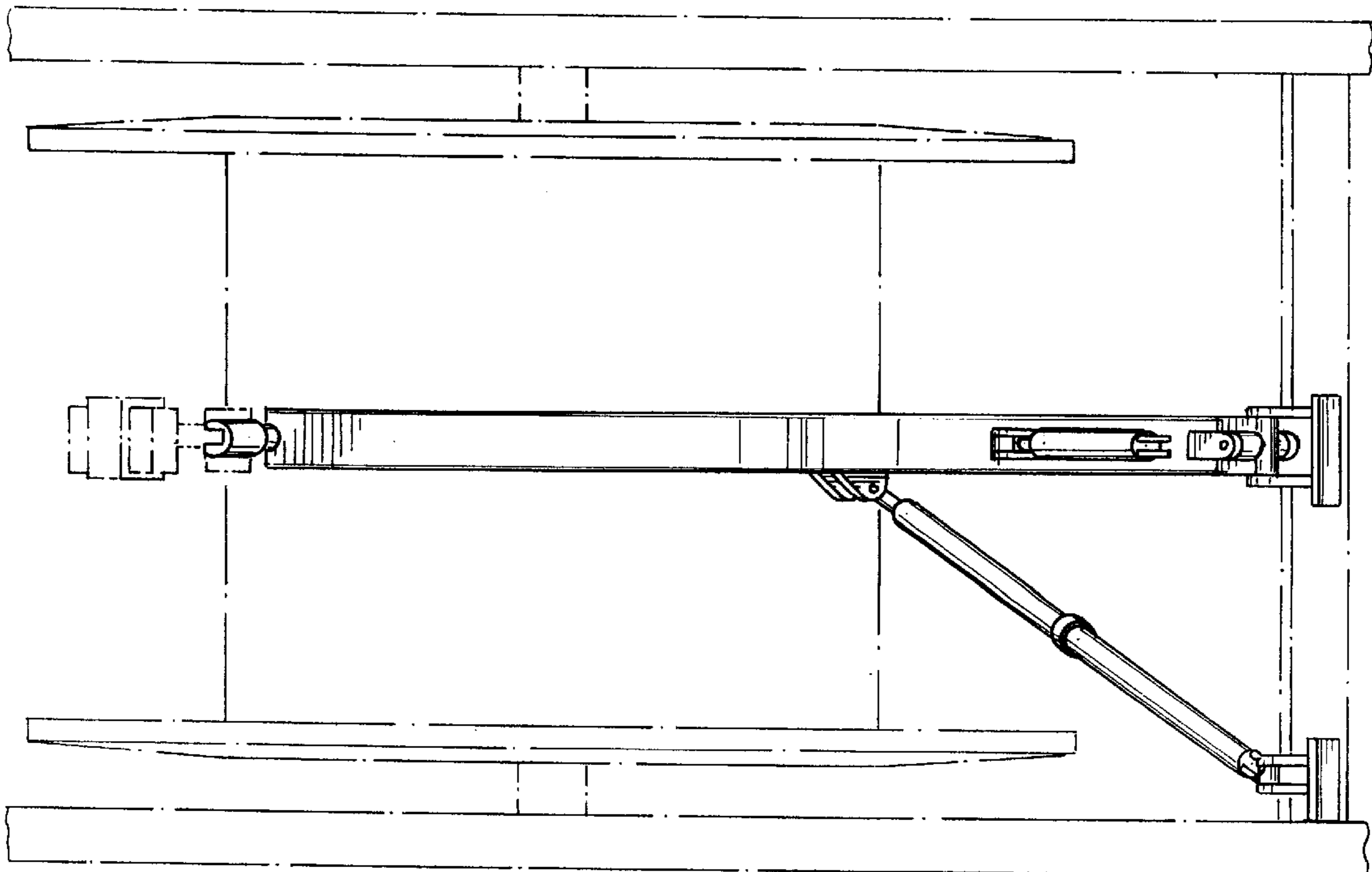




FIG. 6

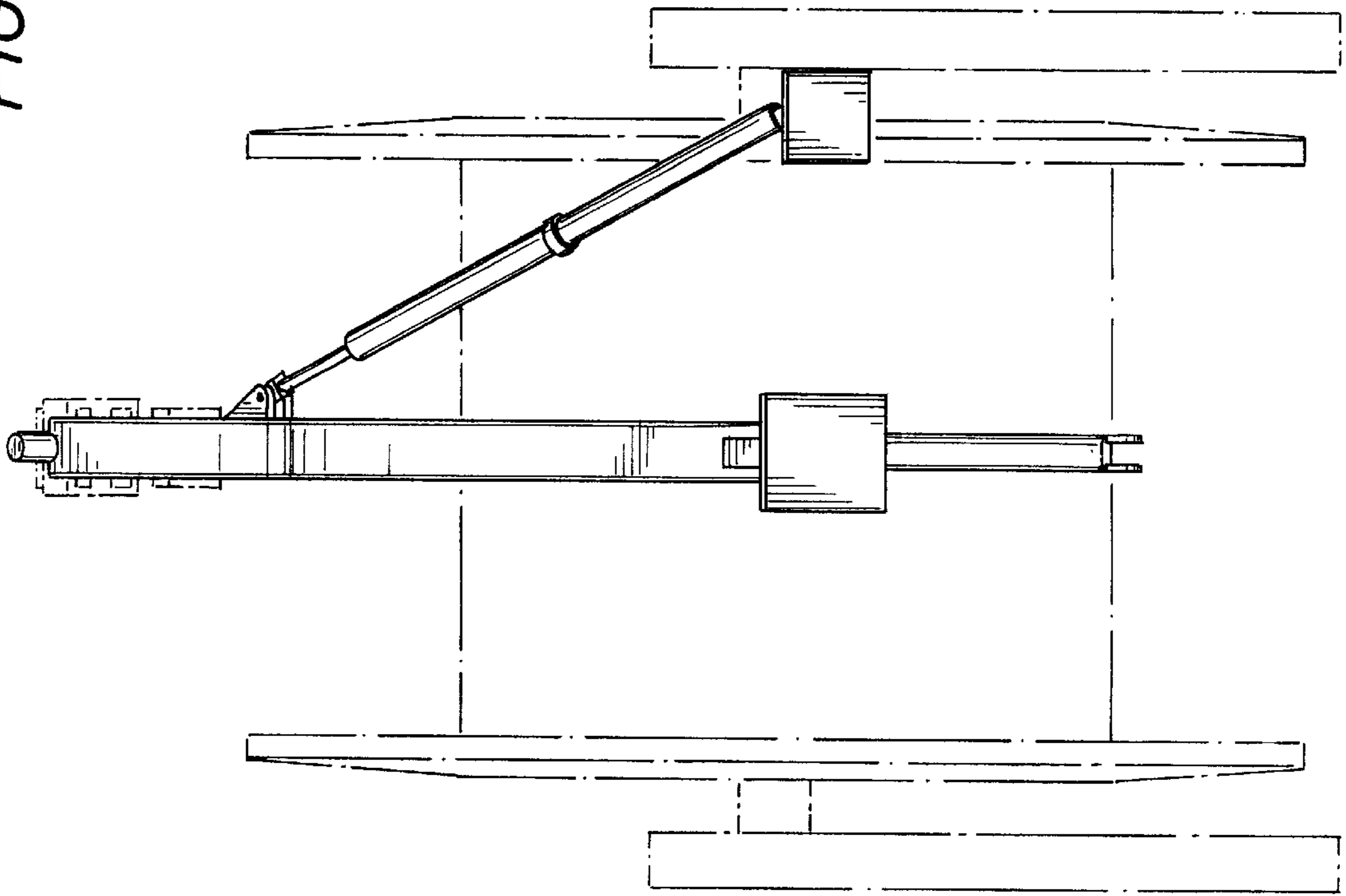


FIG. 5

