



US00D436517S

(12) **United States Design Patent**  
**Barry**

(10) **Patent No.:** **US D436,517 S**

(45) **Date of Patent:** **\*\* Jan. 23, 2001**

(54) **ORNAMENTAL SUCTION CUP**

(75) Inventor: **Arthur J. Barry**, Greenpoint, NY (US)

(73) Assignee: **Presto Galaxy Suction Cups, Inc.**,  
Greenpoint, NY (US)

(\*\*) Term: **14 Years**

(21) Appl. No.: **29/121,309**

(22) Filed: **Apr. 5, 2000**

(51) **LOC (7) Cl.** ..... **08-05**

(52) **U.S. Cl.** ..... **D8/354**

(58) **Field of Search** ..... D8/367, 373, 305;  
D11/133, 99, 30, 33; 248/205.5, 206.2,  
206.1, 205.6

(56) **References Cited**

**U.S. PATENT DOCUMENTS**

- D. 204,743 \* 5/1966 Rhoades ..... D8/305
- D. 216,670 \* 3/1970 Fox ..... D8/305
- D. 236,323 \* 8/1975 Johnsen et al. .... D8/367
- D. 401,499 \* 11/1998 Barry ..... D8/367

\* cited by examiner

*Primary Examiner*—Holly Baynham

(74) *Attorney, Agent, or Firm*—Davis and Bujold

(57) **CLAIM**

I claim the ornamental design for ornamental suction cup, as shown and described.

**DESCRIPTION**

FIG. 1 is a front elevational view of a first embodiment of a novel suction cup, showing a hanging hook in phantom, according to the present invention;

FIG. 2 is a right side elevational view thereof, showing a hanging hook in phantom, the left side elevational view being a mirror image thereof;

FIG. 3 is a top plan view of FIG. 1, without the hanging hook being shown;

FIG. 4 is a bottom plan view of FIG. 1, without the hanging hook being shown;

FIG. 5 is a rear elevational view of FIG. 1, without the hanging hook being shown;

FIG. 6 is a front elevational view, similar to FIG. 1 but without the hanging hook, depicting an opaque version of the embodiment of FIG. 1;

FIG. 7 is a front elevational view of a second embodiment of a novel suction cup according to the present invention;

FIG. 8 is a right side elevational view thereof, the left side elevational view being a mirror image thereof;

FIG. 9 is a top plan view of FIG. 7;

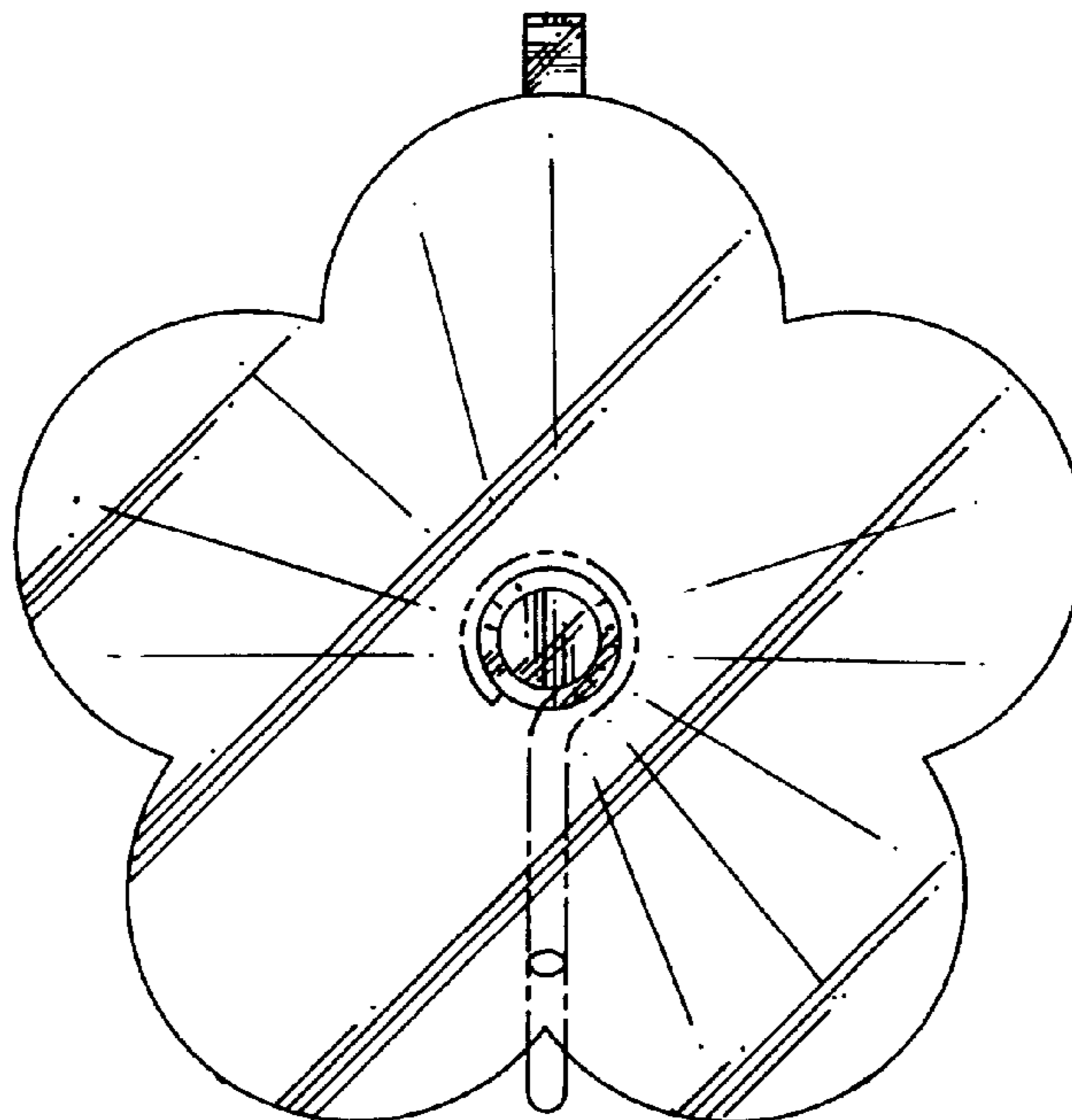
FIG. 10 is a bottom plan view of FIG. 7;

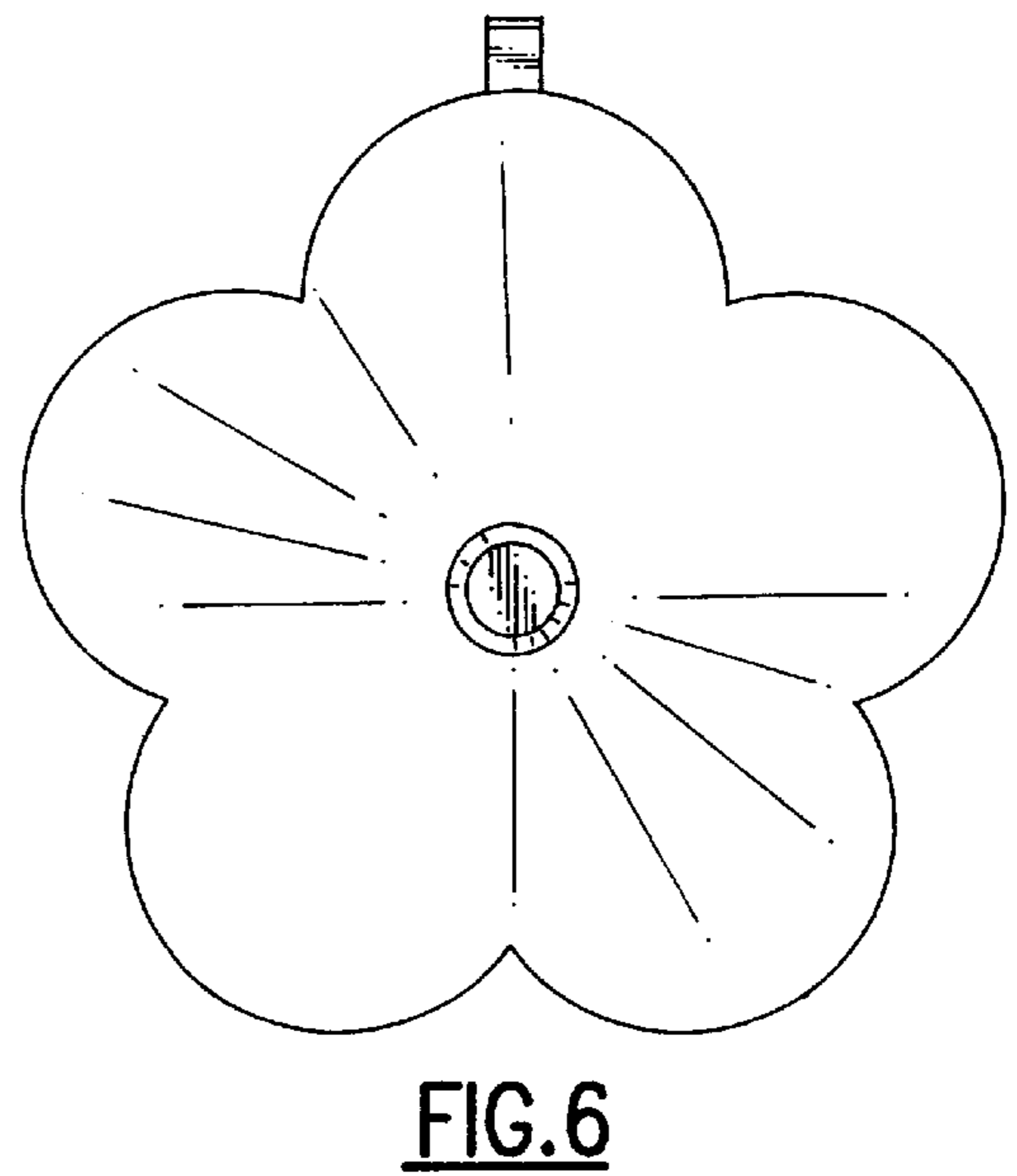
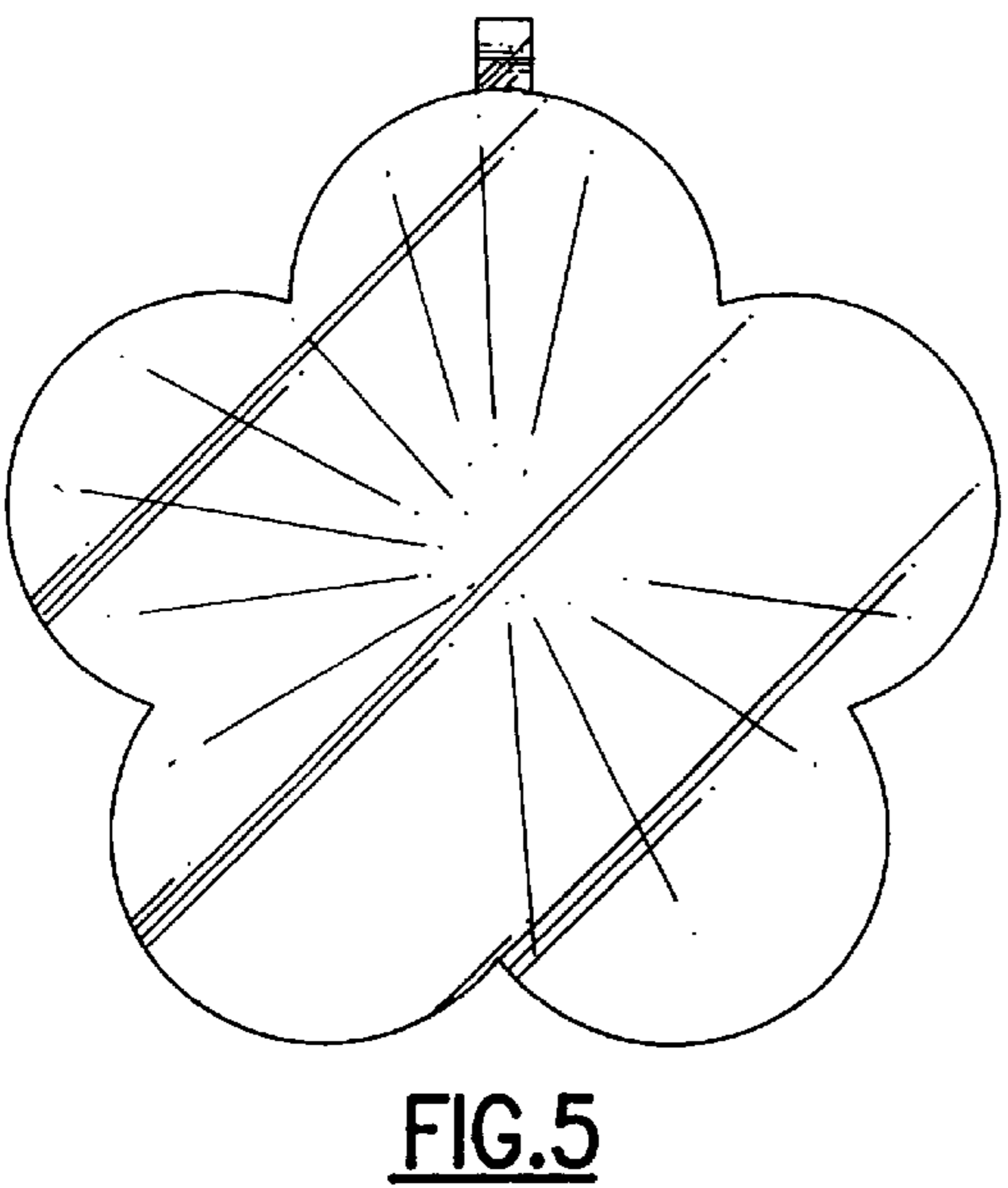
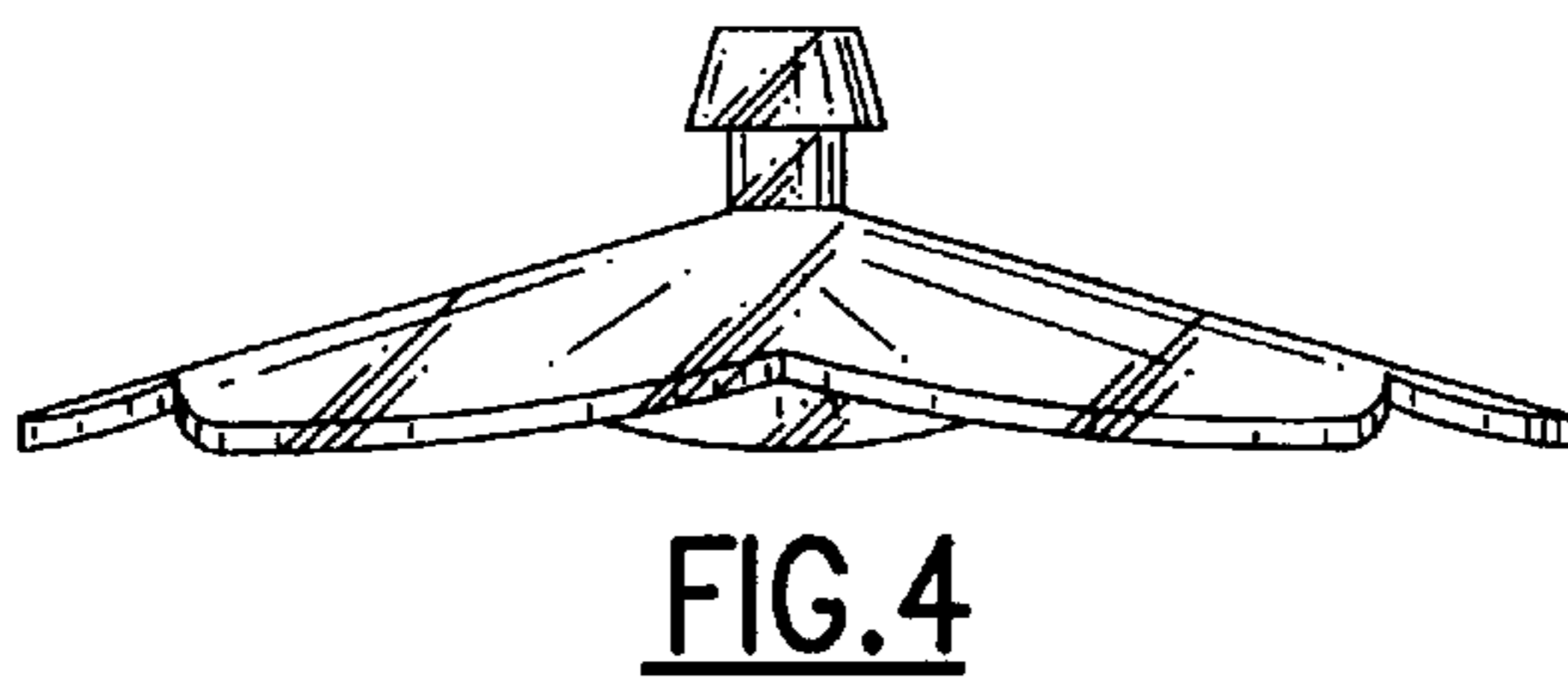
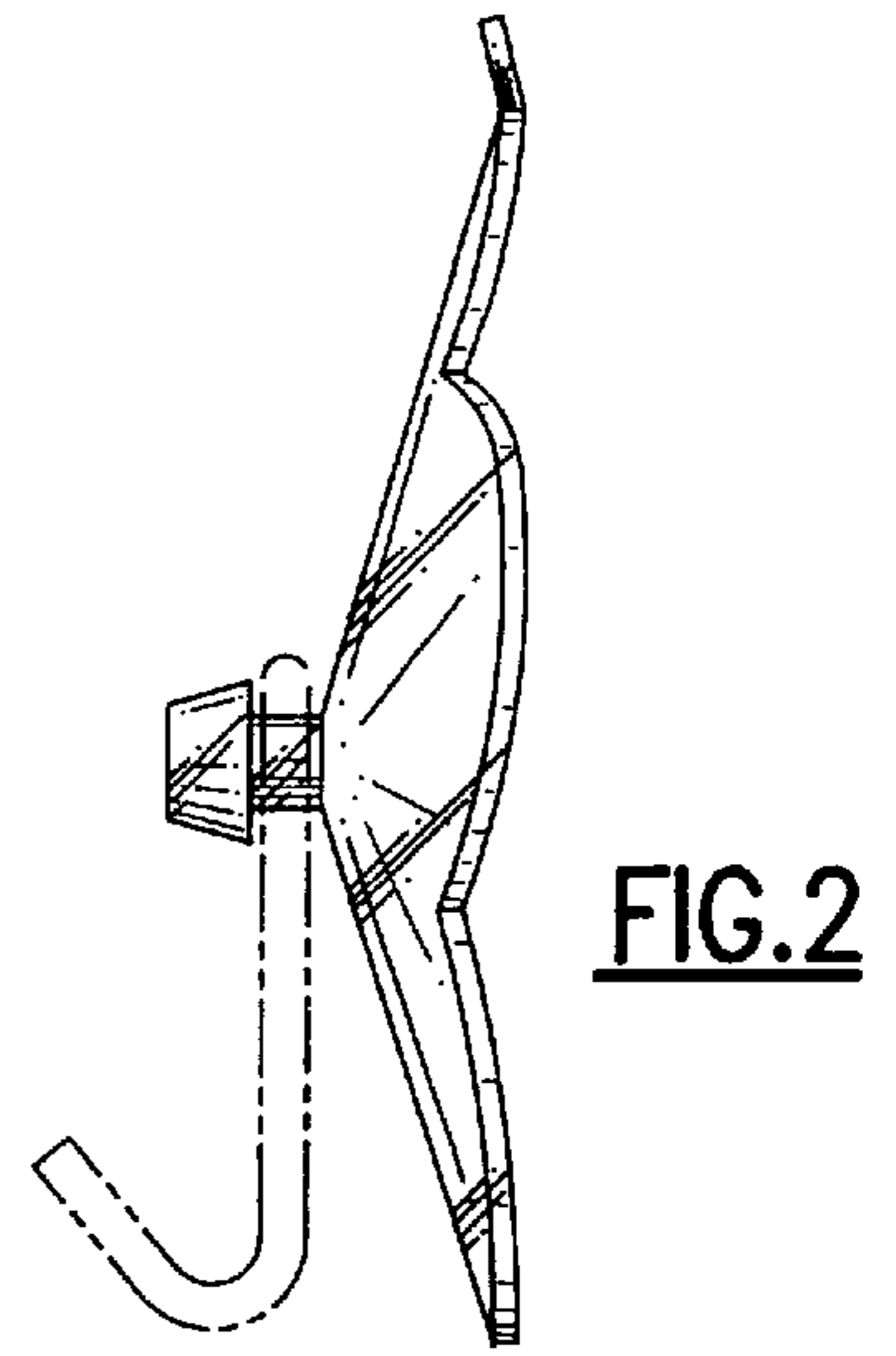
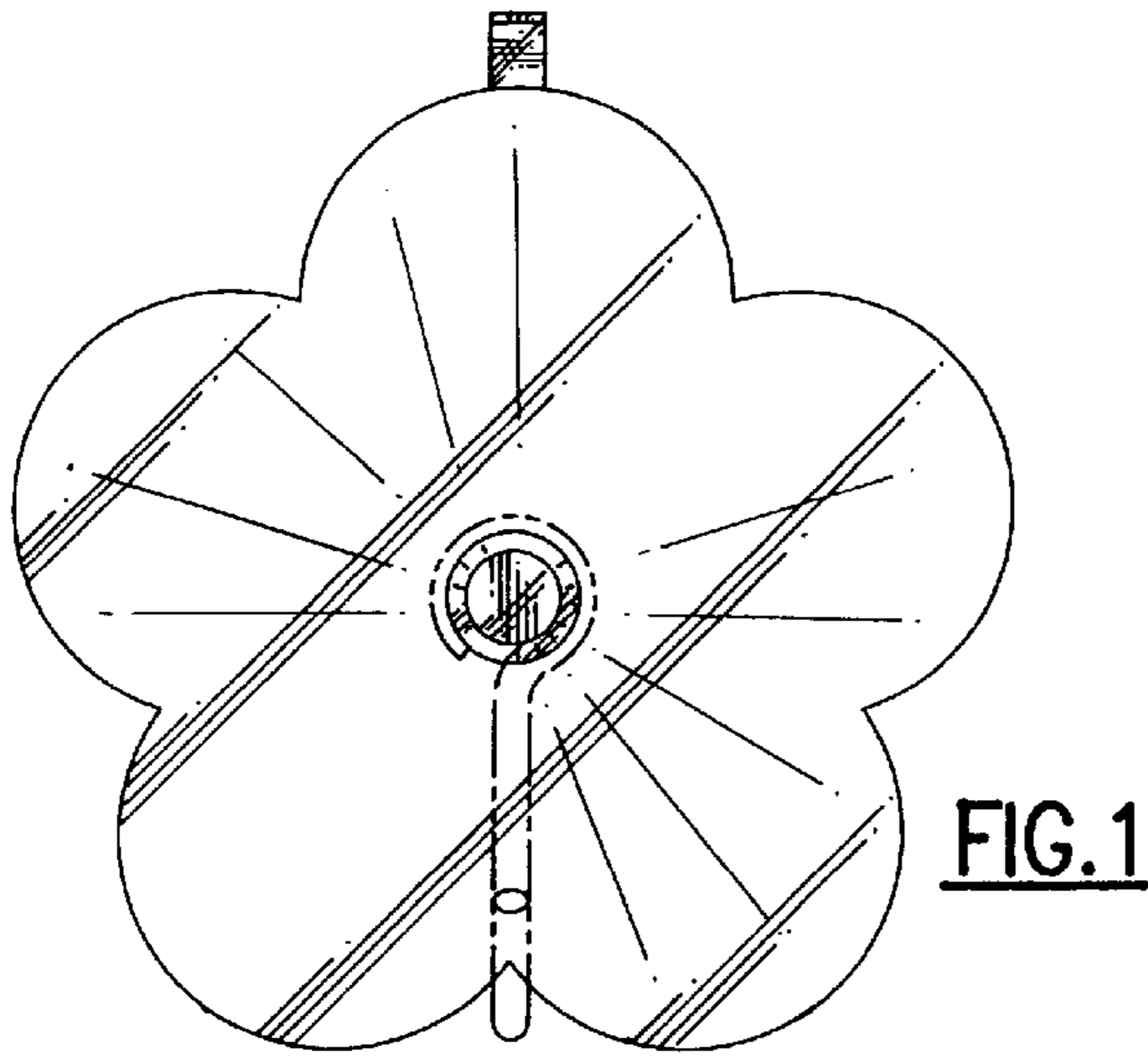
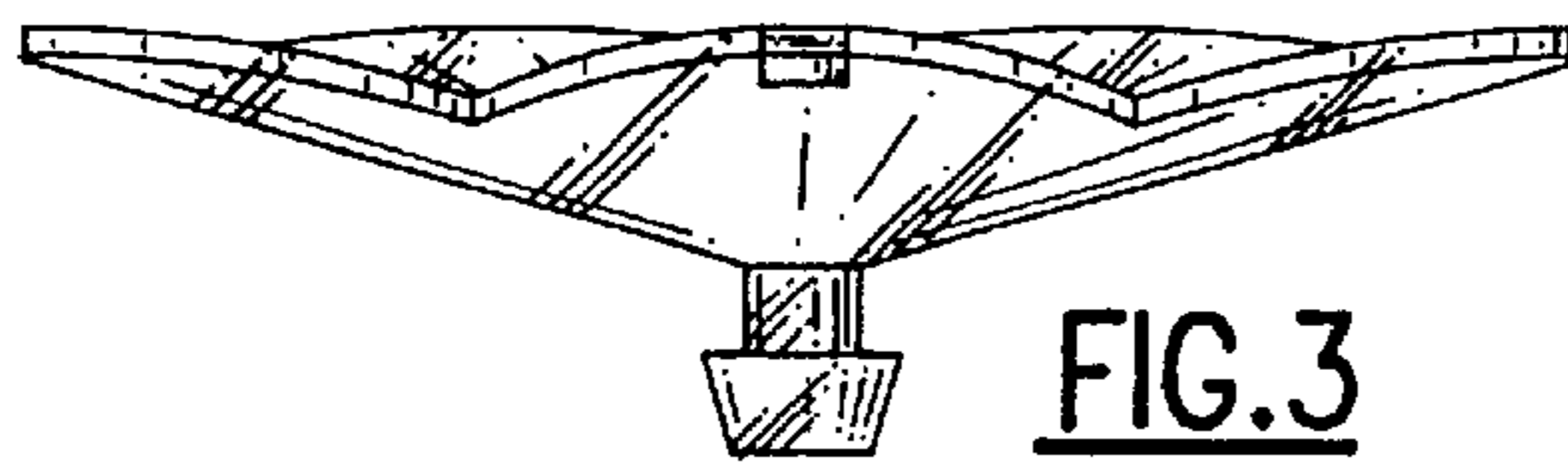
FIG. 11 is a rear elevational view of FIG. 7; and,

FIG. 12 is a front elevational view, similar to FIG. 7, depicting an opaque version of the embodiment of FIG. 7.

The broken line showing of a hook is for illustrative purposes only and forms no part of the claimed design.

**1 Claim, 2 Drawing Sheets**





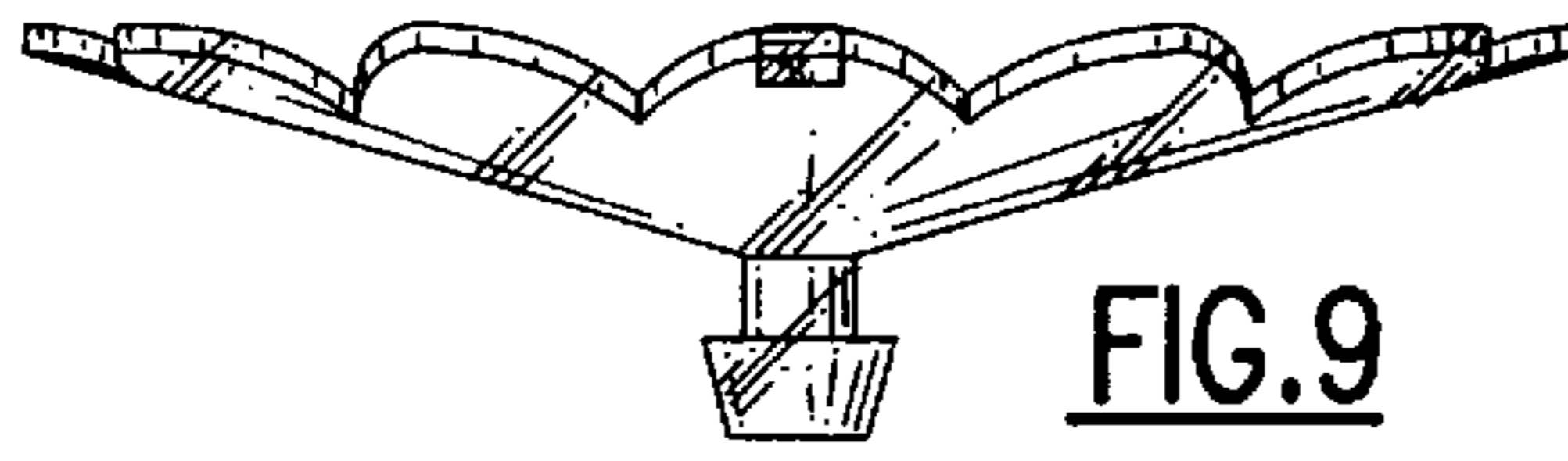


FIG. 9

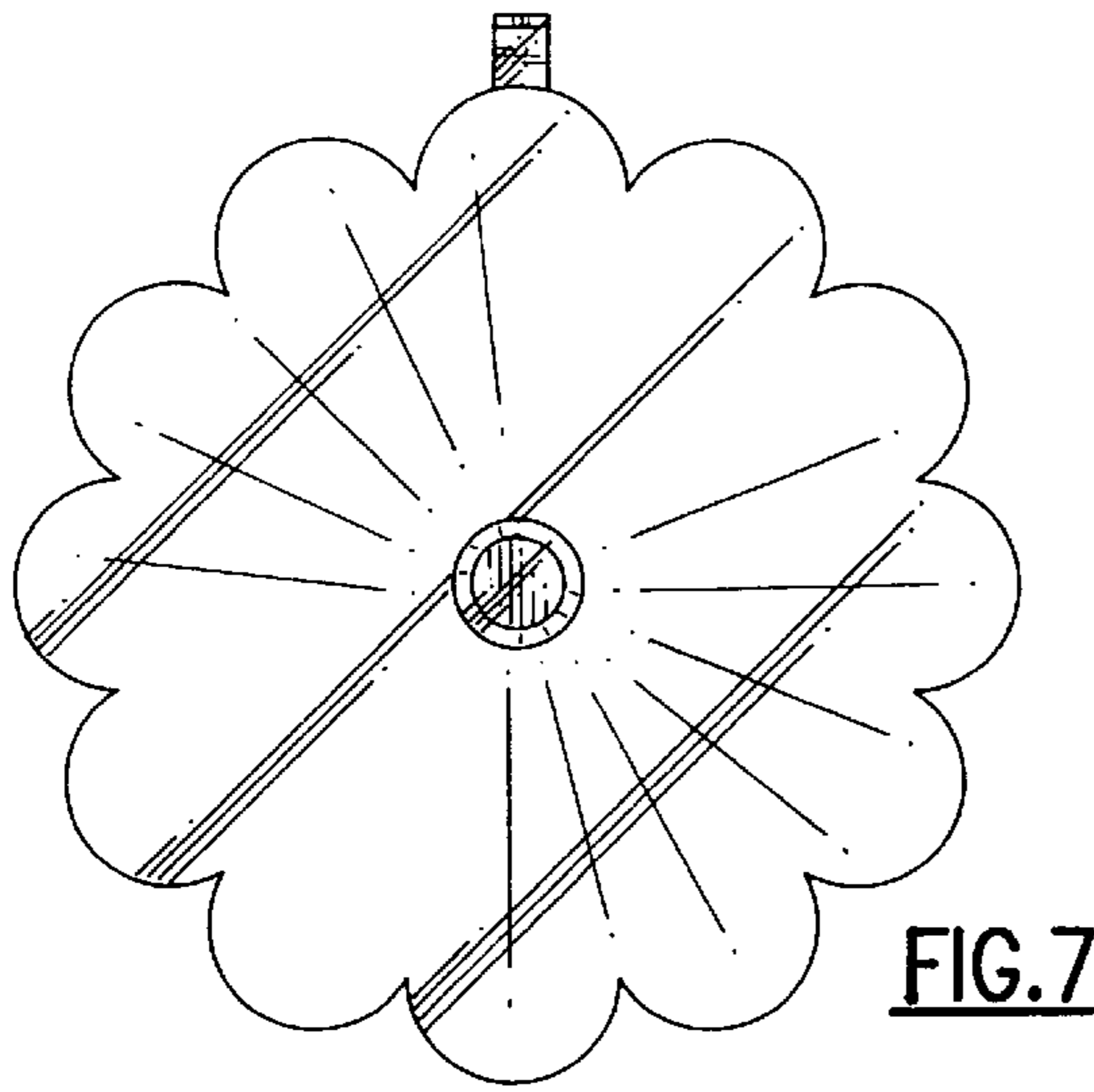


FIG. 7

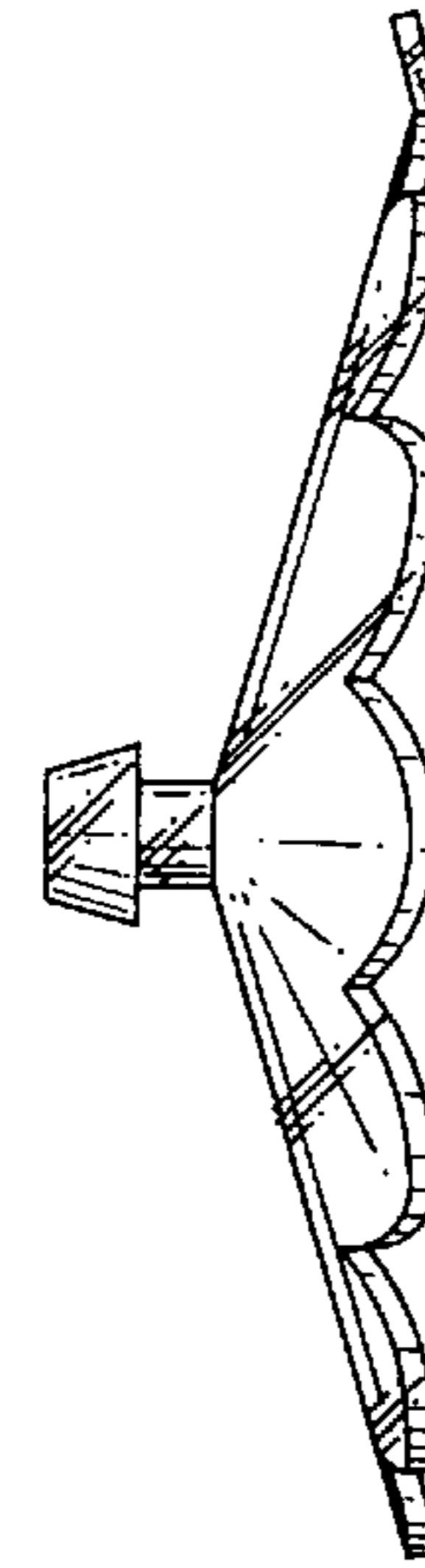


FIG. 8

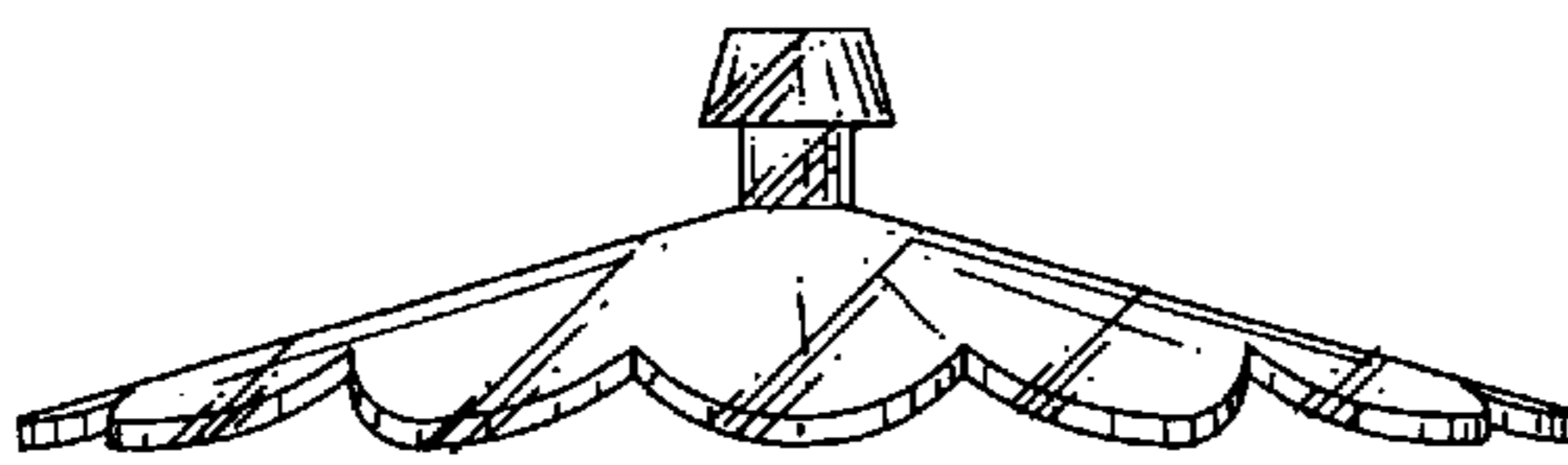


FIG. 10

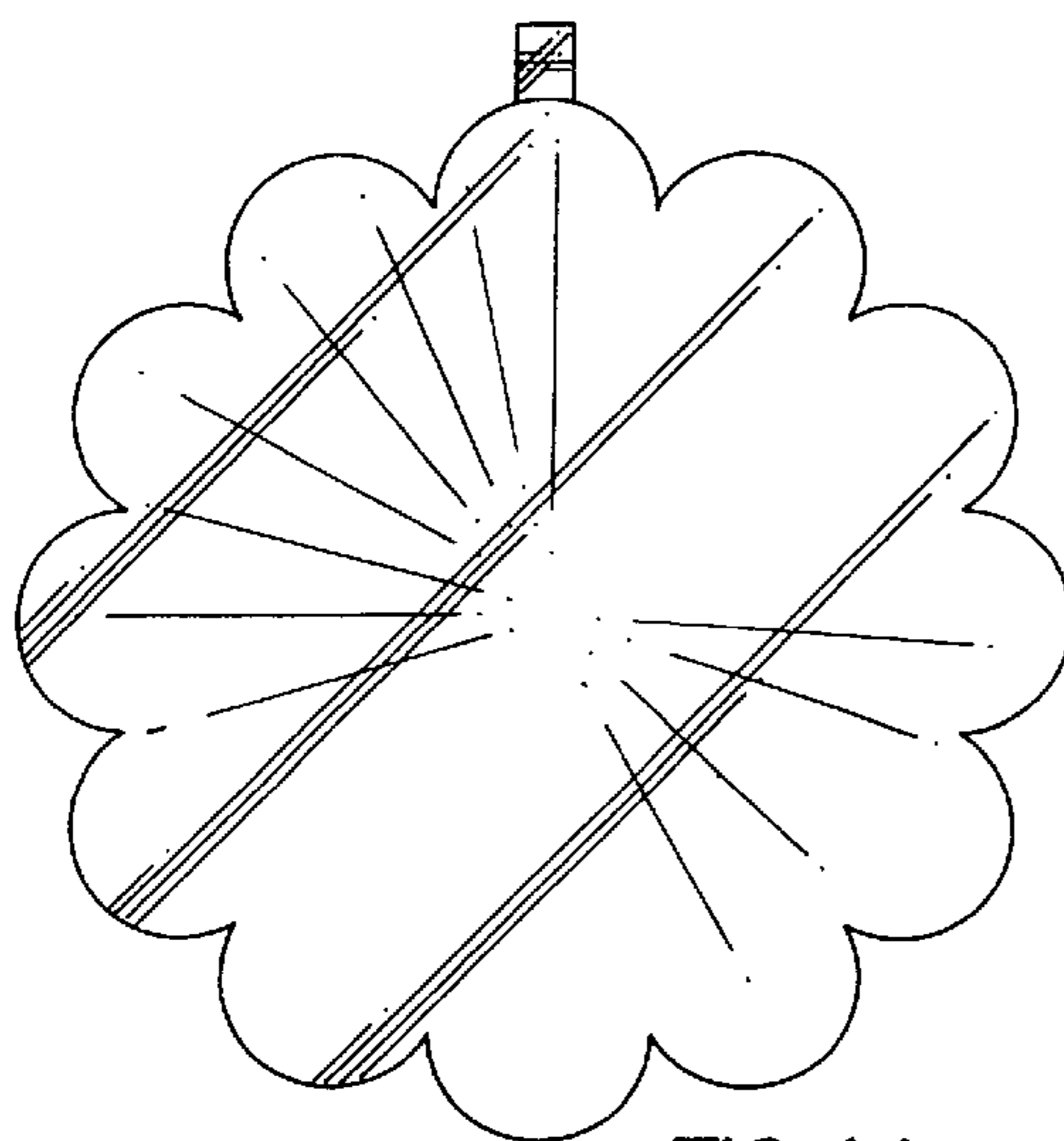


FIG. 11

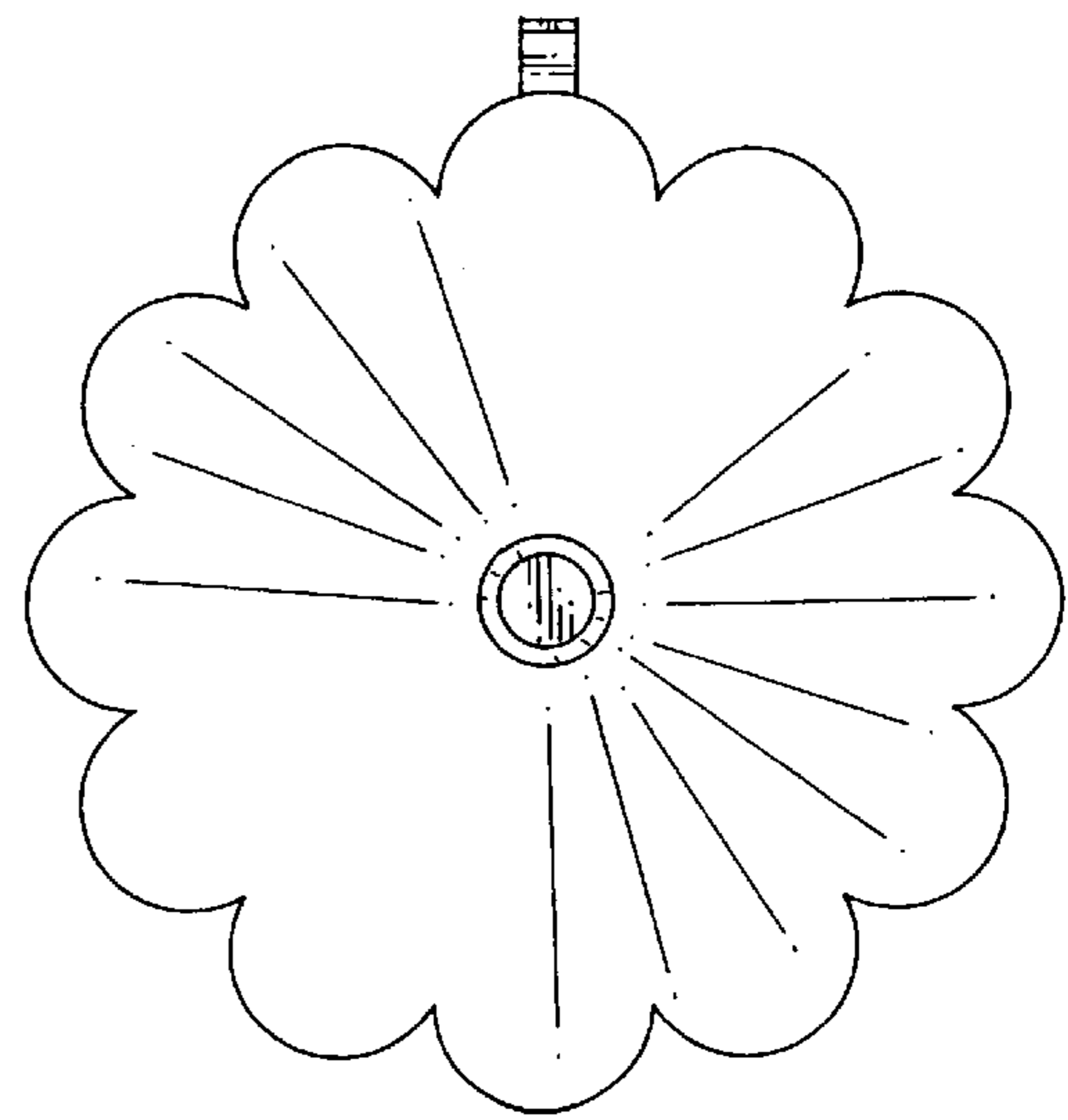


FIG. 12