



US00D436516S

(12) **United States Design Patent**
Lambacher et al.

(10) **Patent No.:** **US D436,516 S**

(45) **Date of Patent:** **** Jan. 23, 2001**

(54) **ENGINE LIFT PLATE**

(75) Inventors: **Mark E. Lambacher**, Cuyahoga Falls;
Brian C. Carruth, Medina, both of OH
(US)

(73) Assignee: **Autosales, Incorporated**, Tallmadge,
OH (US)

(**) Term: **14 Years**

(21) Appl. No.: **29/123,997**

(22) Filed: **May 30, 2000**

(51) **LOC (7) Cl.** **08-05**

(52) **U.S. Cl.** **D8/349**

(58) **Field of Search** D8/349, 354; 248/300,
248/200, 352; D12/223

(56) **References Cited**

U.S. PATENT DOCUMENTS

D. 348,596 * 7/1994 Slaydon D8/349

OTHER PUBLICATIONS

P. 169 of an Autosales, Incorporated catalog, (undated).

* cited by examiner

Primary Examiner—Holly Baynham

(74) *Attorney, Agent, or Firm*—Renner, Kenner, Greive,
Bobak, Taylor & Weber

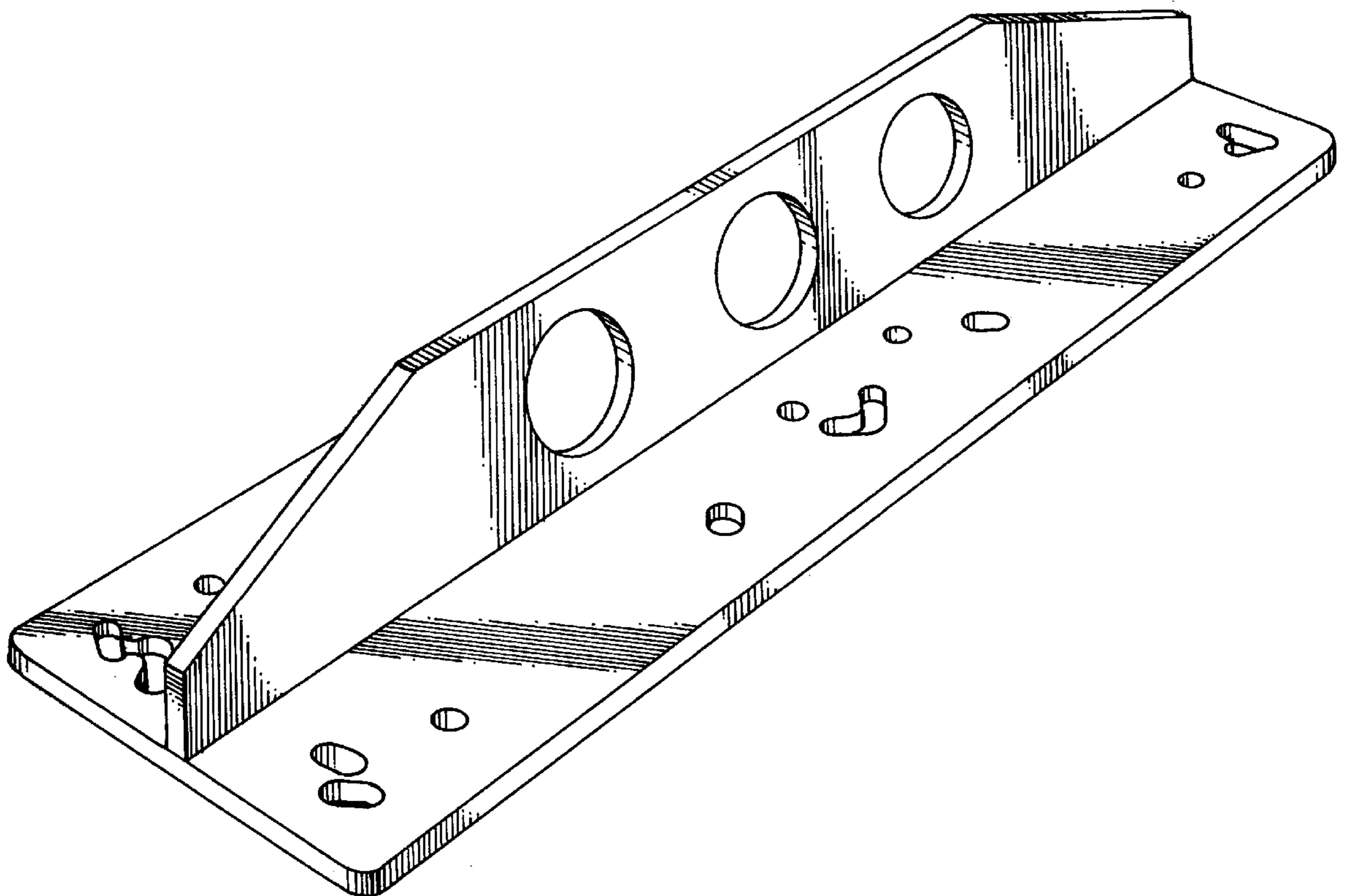
(57) **CLAIM**

The ornamental design for an engine lift plate, as shown and described.

DESCRIPTION

FIG. 1 is a top, front, right side perspective view of an engine lift plate showing our new design; FIG. 2 is a top plan view thereof; FIG. 3 is a bottom plan view thereof; FIG. 4 is a left side elevational view thereof, the right side view being the same as this FIG. 4; and, FIG. 5 is a rear elevational view thereof, the front view being the same as this FIG. 5.

1 Claim, 3 Drawing Sheets



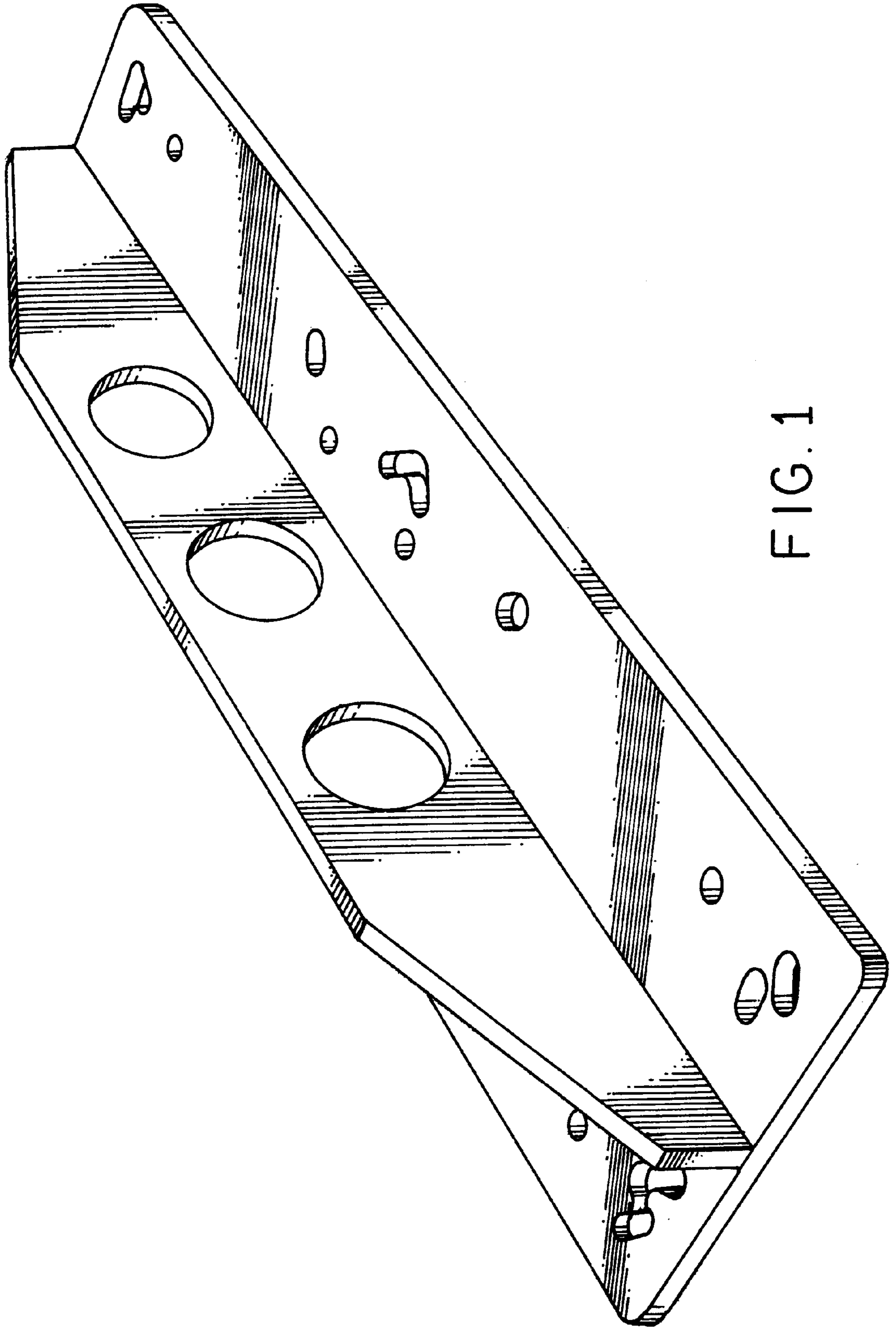


FIG. 1

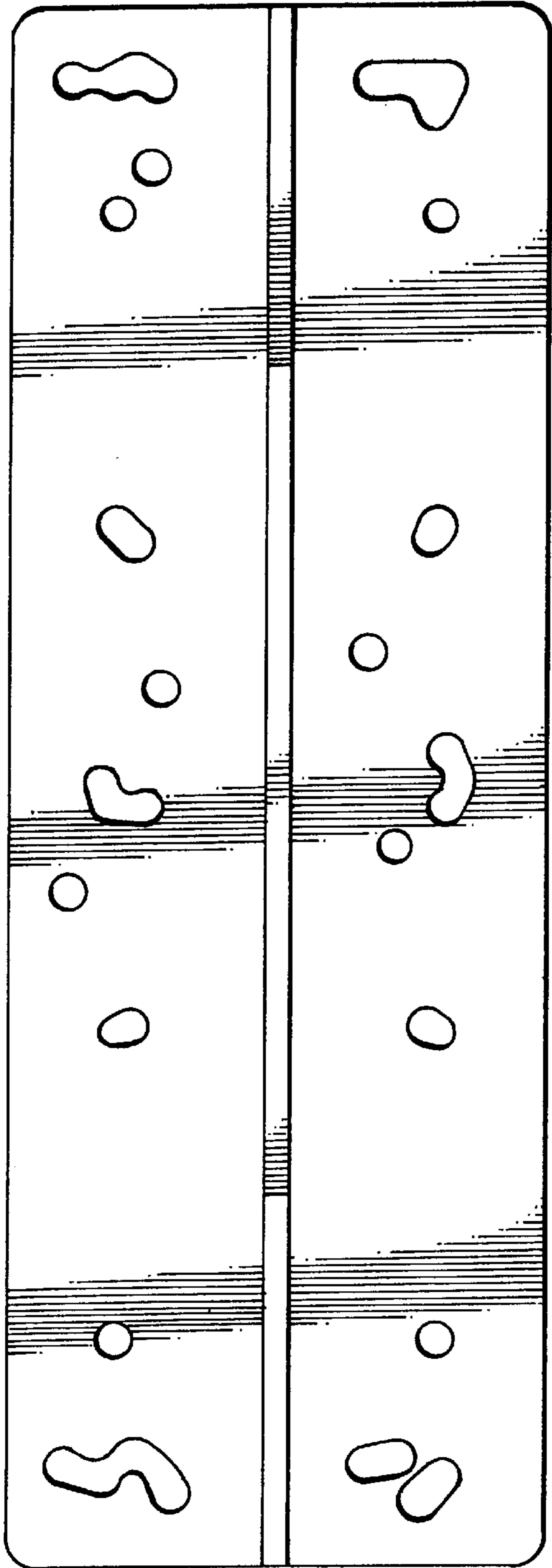


FIG. 2

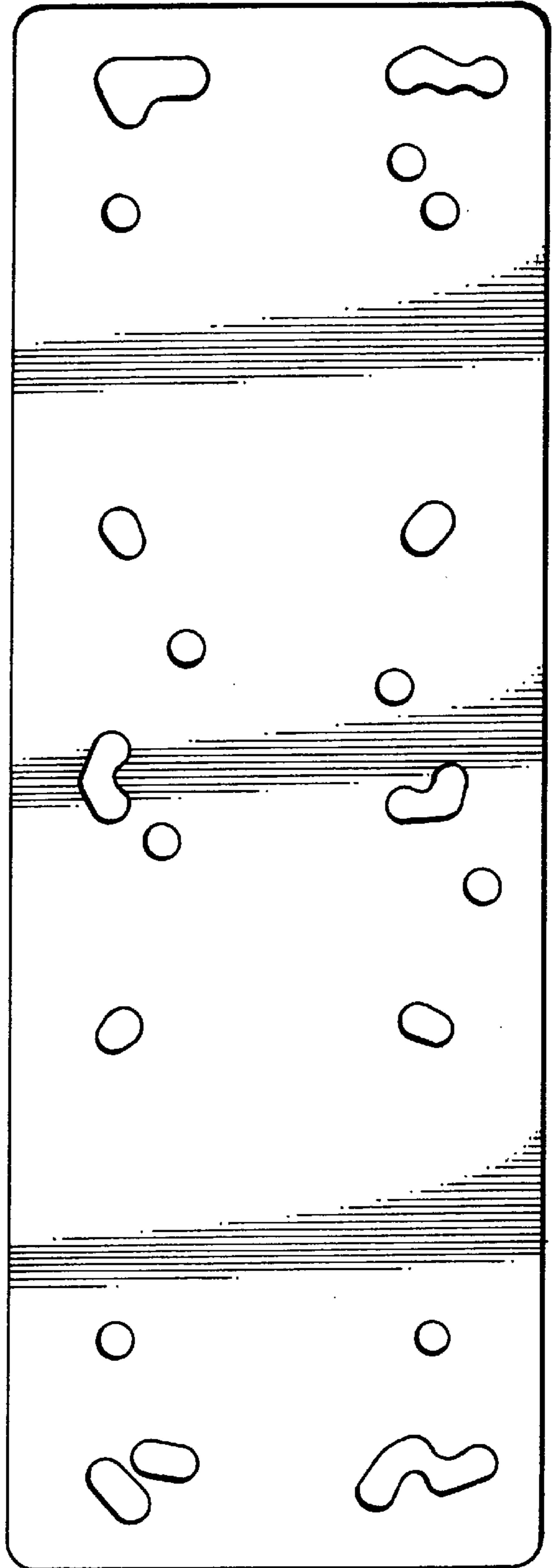


FIG. 3

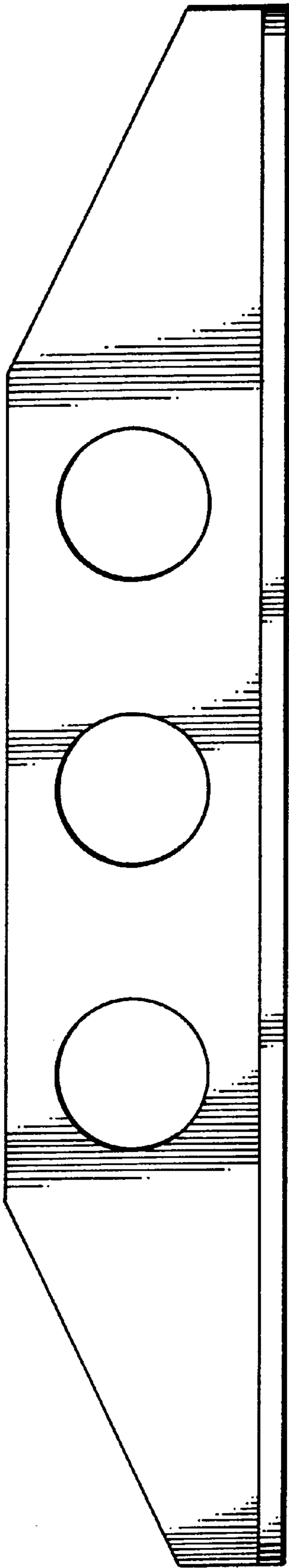


FIG. 4

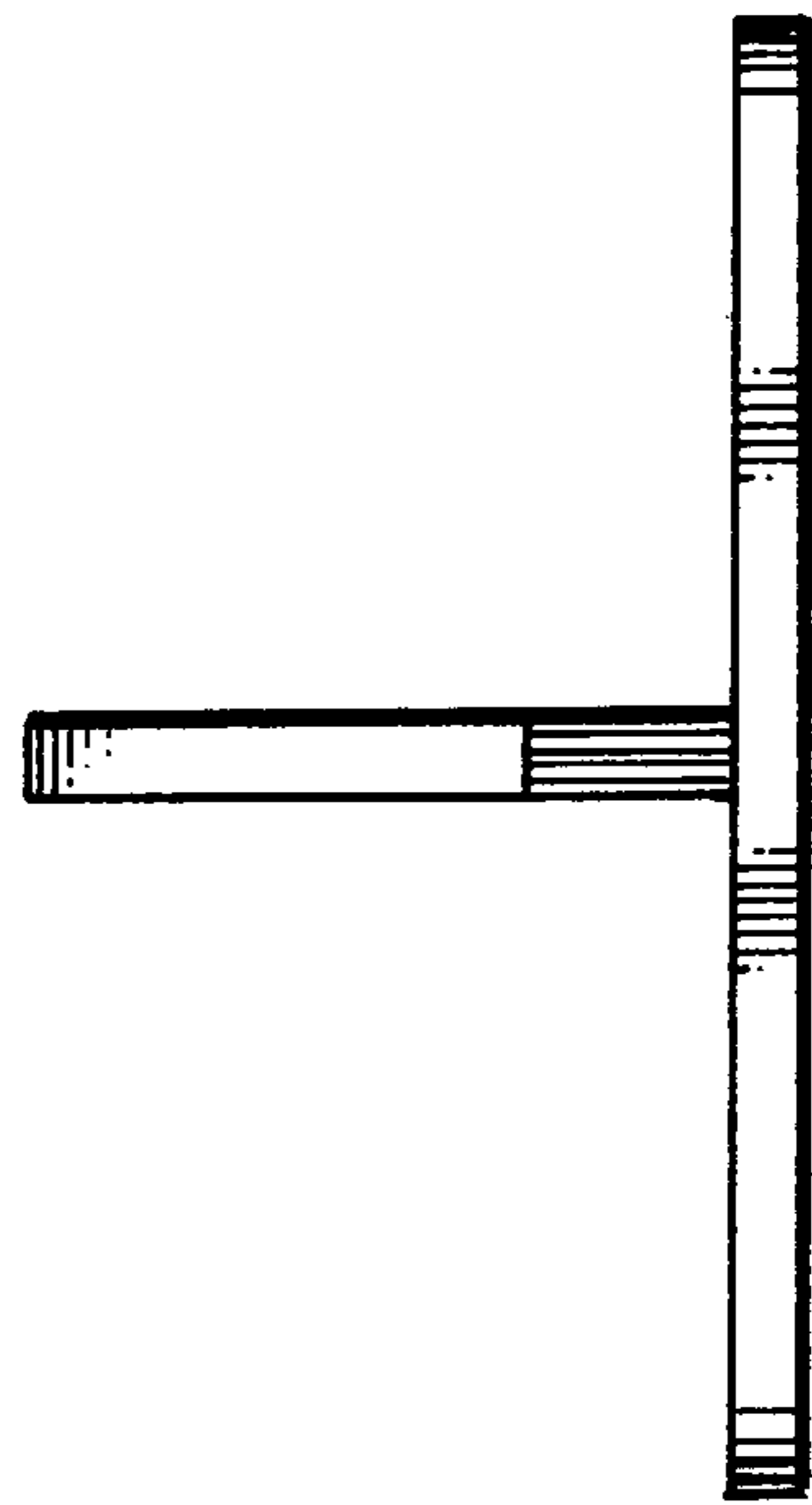


FIG. 5