



US00D436515S

(12) **United States Design Patent**
Sonntag

(10) **Patent No.:** **US D436,515 S**

(45) **Date of Patent:** **** Jan. 23, 2001**

(54) **HINGE FOR BOX**

(75) Inventor: **John-Erik Sonntag**, Tammissaari (FI)

(73) Assignee: **Fibox Oy AB**, Jorvas (FI)

(**) Term: **14 Years**

(21) Appl. No.: **29/108,756**

(22) Filed: **Aug. 4, 1999**

(30) **Foreign Application Priority Data**

Feb. 5, 1999 (FI) M19990105

(51) **LOC (7) Cl.** **08-06**

(52) **U.S. Cl.** **D8/328**

(58) **Field of Search** D8/323, 327-329;
16/386, 387, 388, 389; 220/810, 829, 845,
848

(56) **References Cited**

U.S. PATENT DOCUMENTS

D. 284,931 * 8/1986 Bisbing D8/327

D. 385,475 * 10/1997 Bolinas et al. D8/328

1,385,575 * 7/1921 Nowack D8/328

2,605,925 * 8/1952 Morin D8/328

3,827,266 * 8/1974 Walters D8/328

* cited by examiner

Primary Examiner—B. J. Bullock

(74) *Attorney, Agent, or Firm*—Finnegan, Henderson, Farabow, Garrett, & Dunner, L.L.P.

(57) **CLAIM**

The ornamental design for a hinge for box, as shown and described.

DESCRIPTION

FIG. 1 is a perspective front view of a hinge for box showing my new design;

FIG. 2 is a perspective rear view thereof;

FIG. 3 is a top view thereof;

FIG. 4 is a rear view thereof;

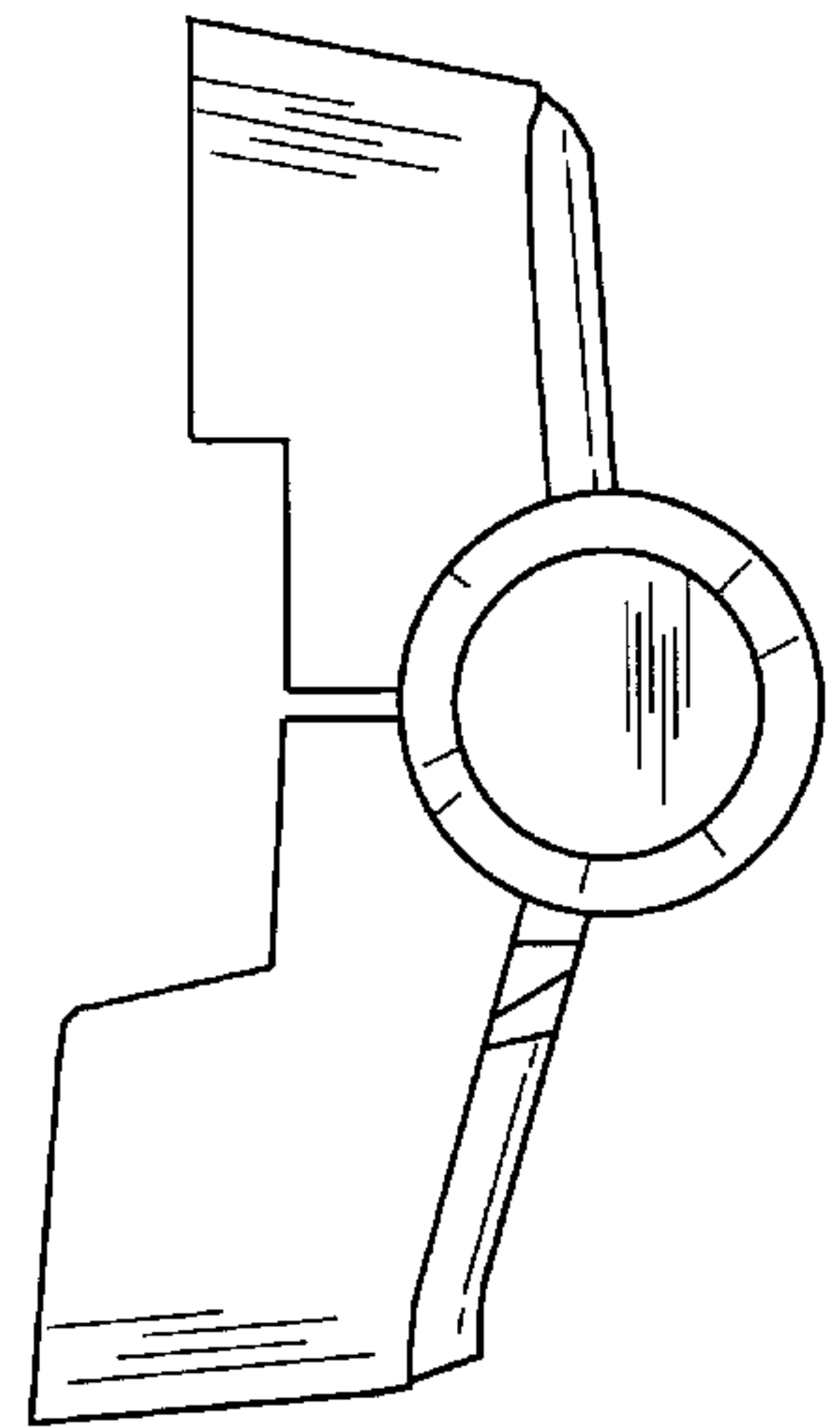
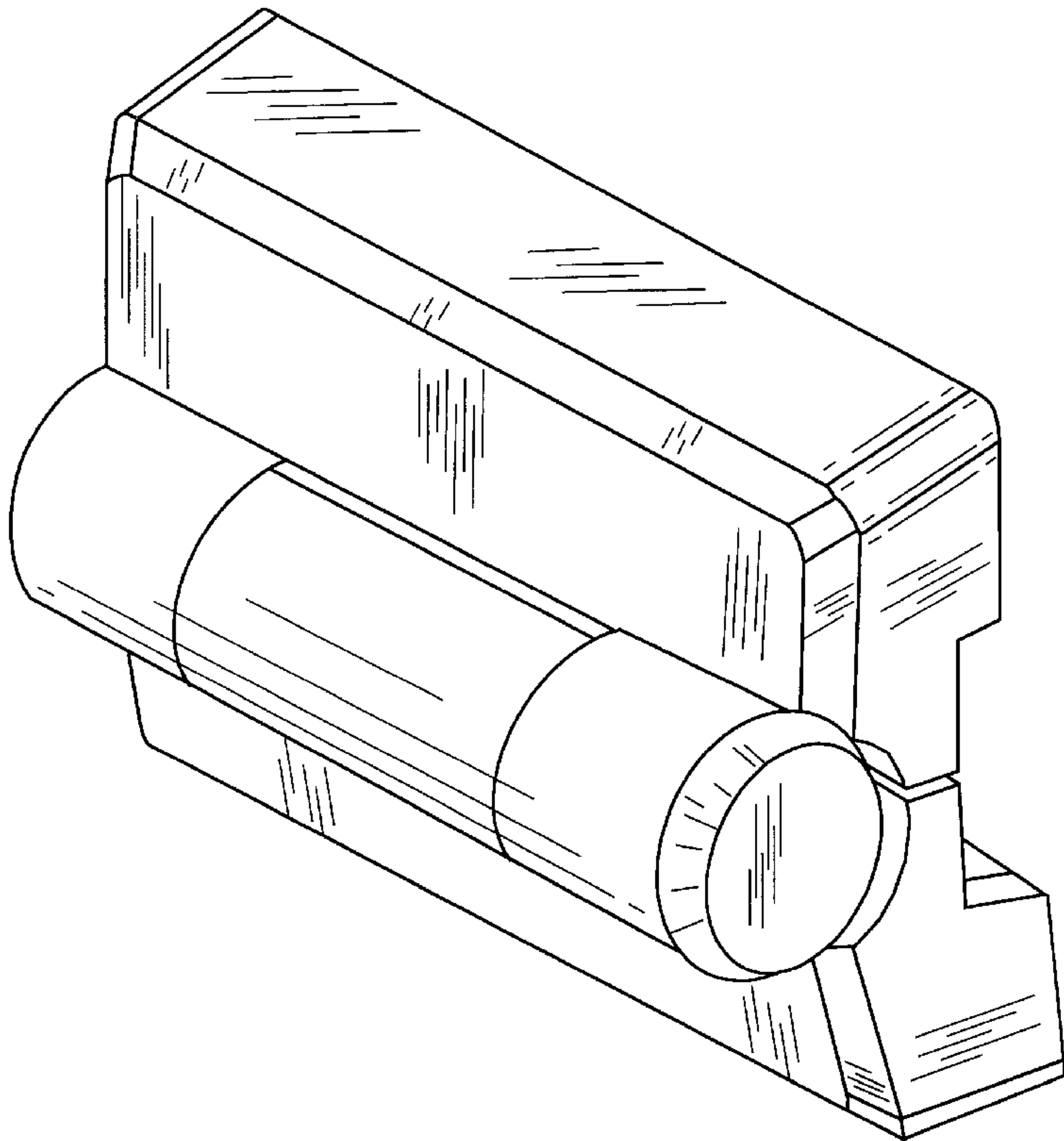
FIG. 5 is a left side view thereof;

FIG. 6 is a right side view thereof;

FIG. 7 is a front view thereof; and,

FIG. 8 is a bottom view.

1 Claim, 5 Drawing Sheets



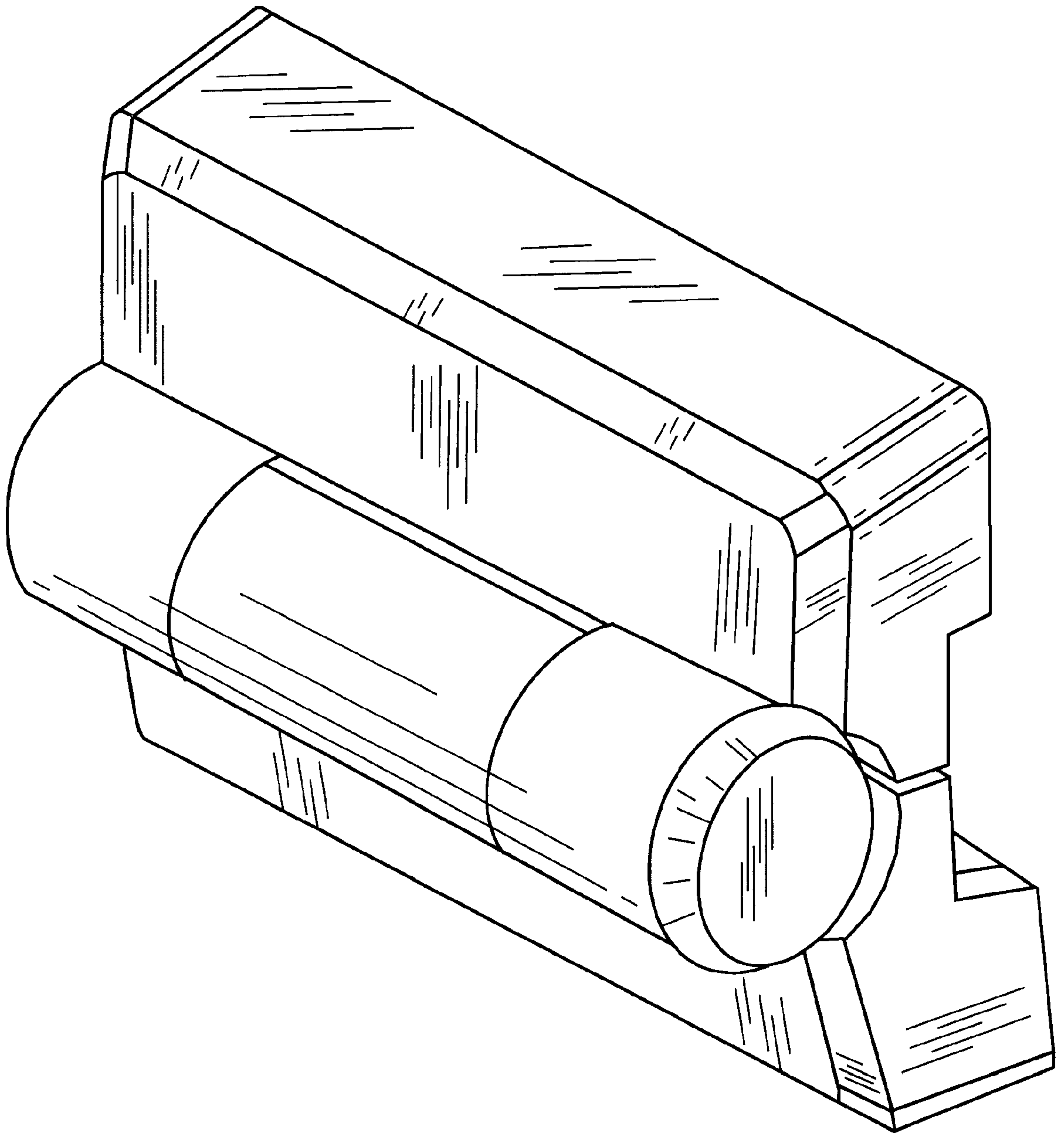


FIG. 1

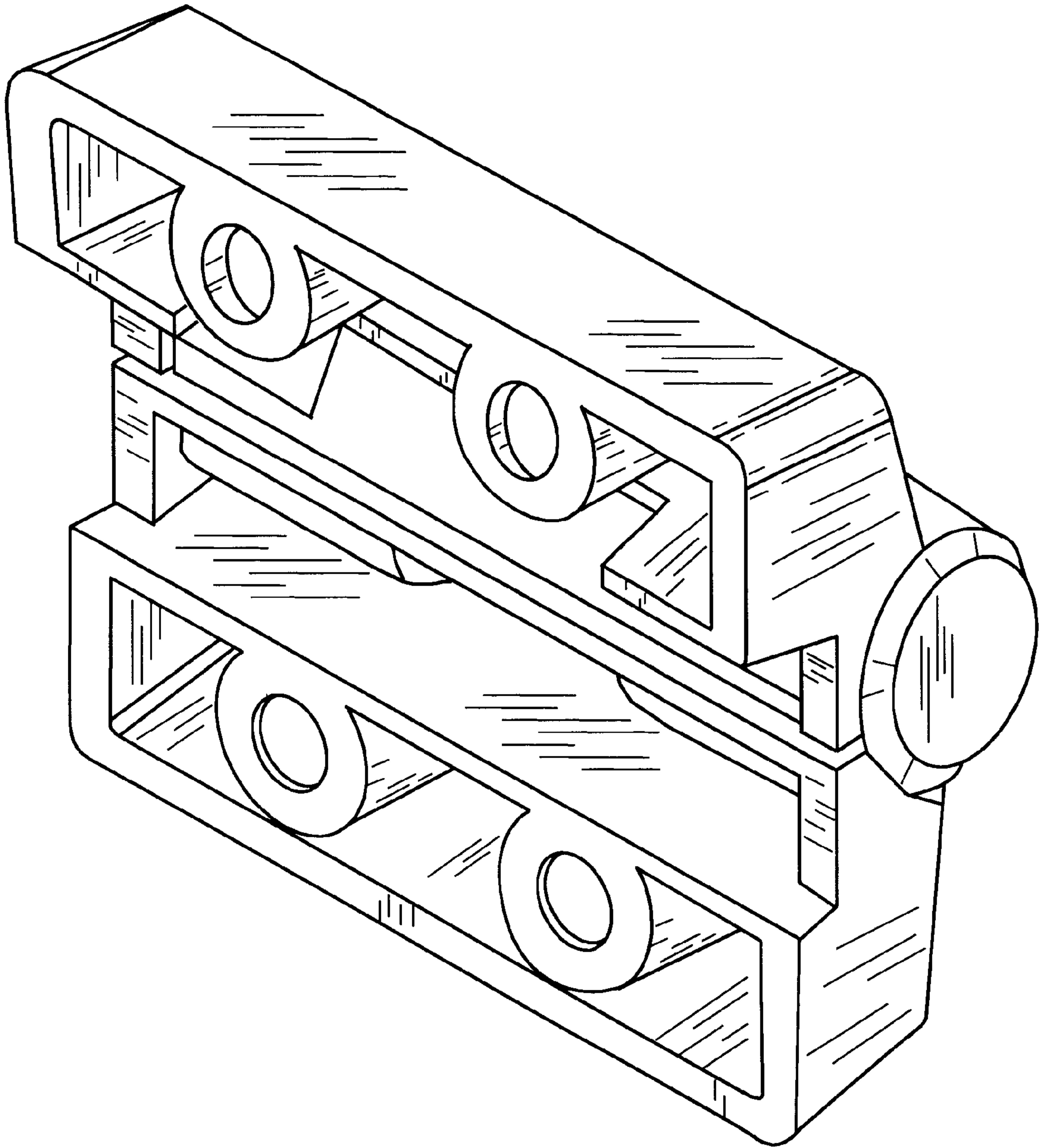


FIG. 2

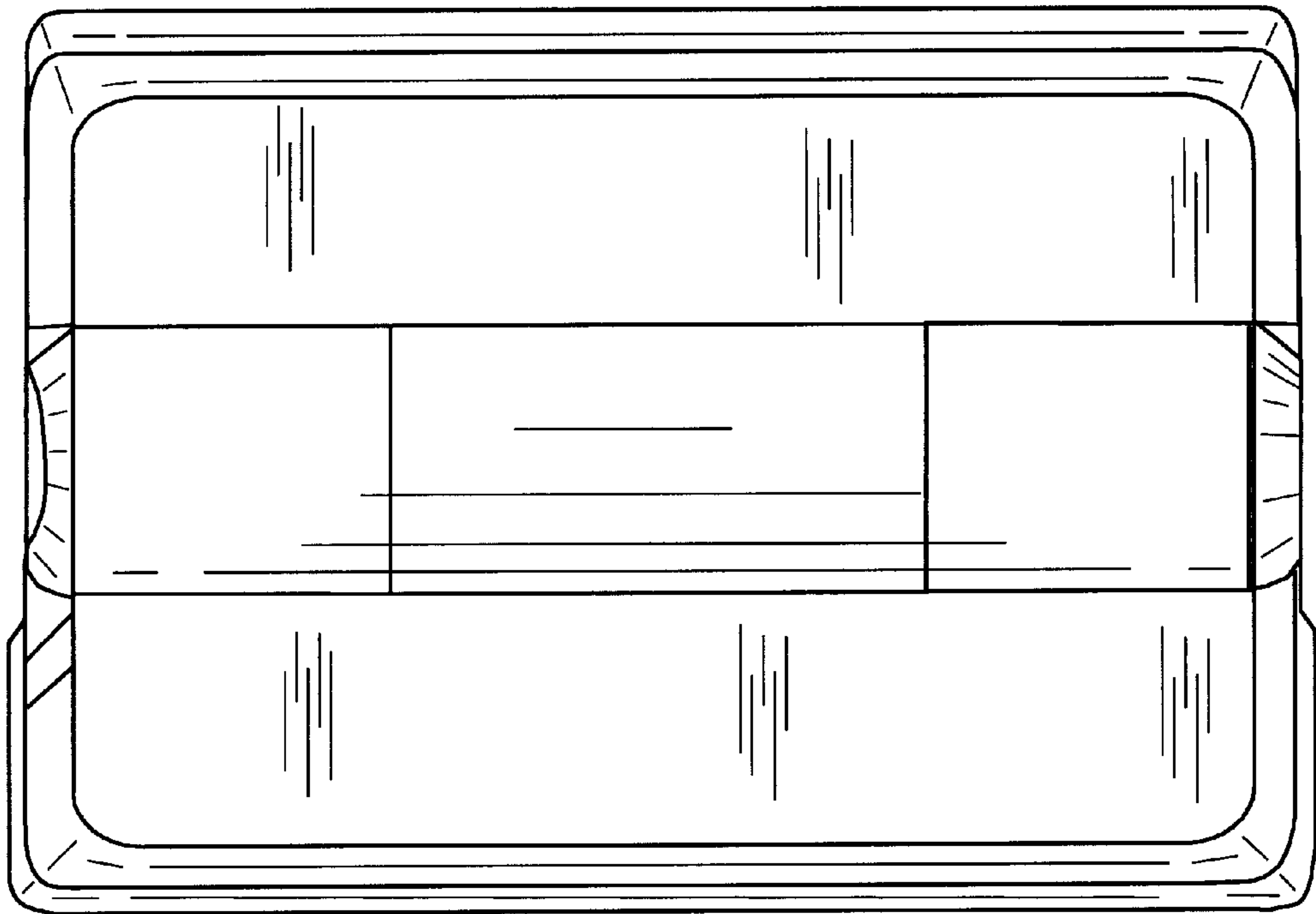


FIG. 3

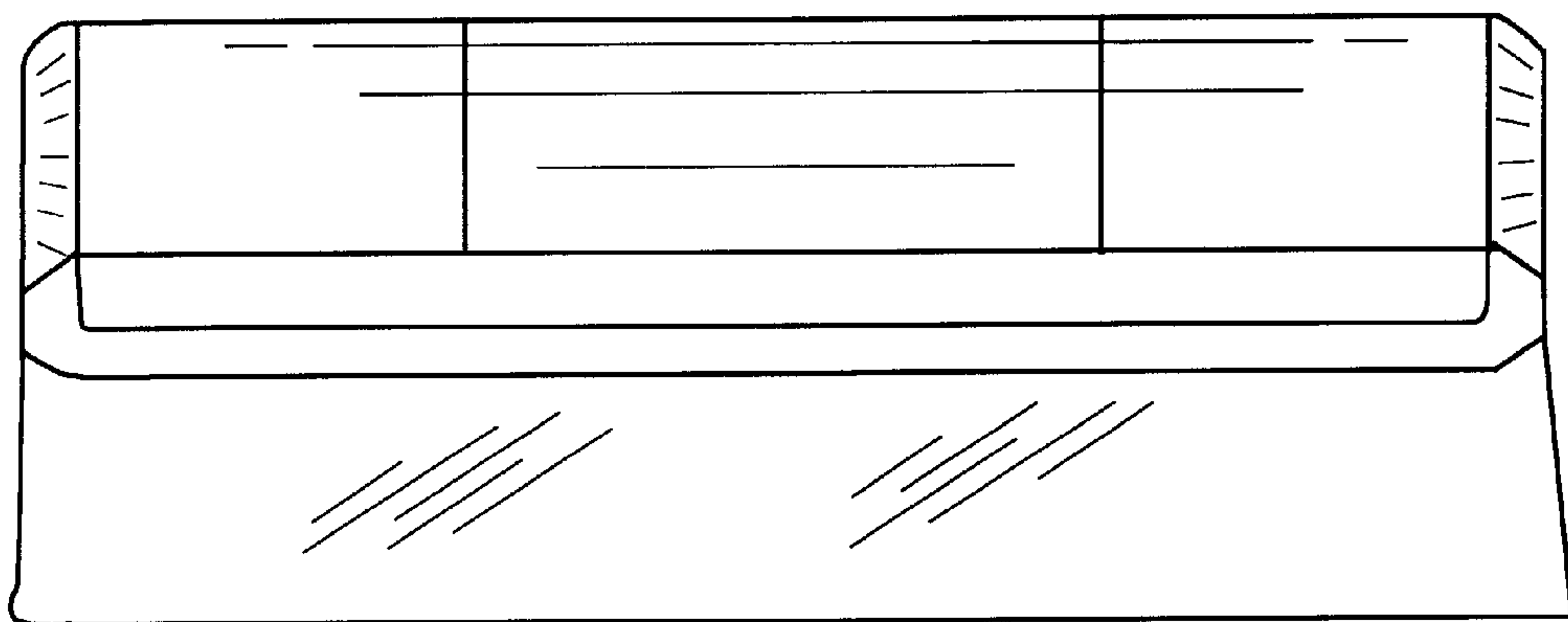


FIG. 4

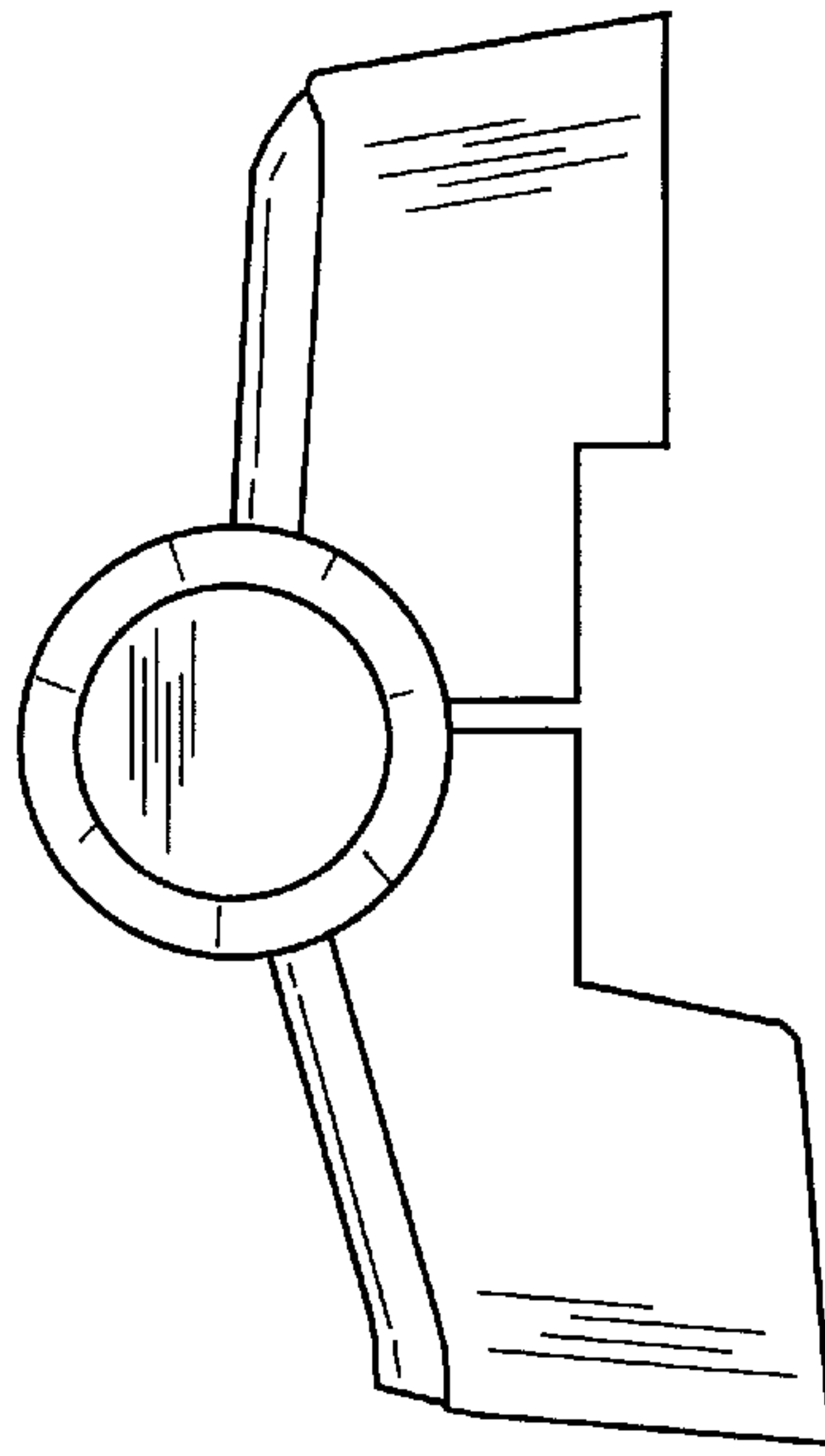


FIG. 5

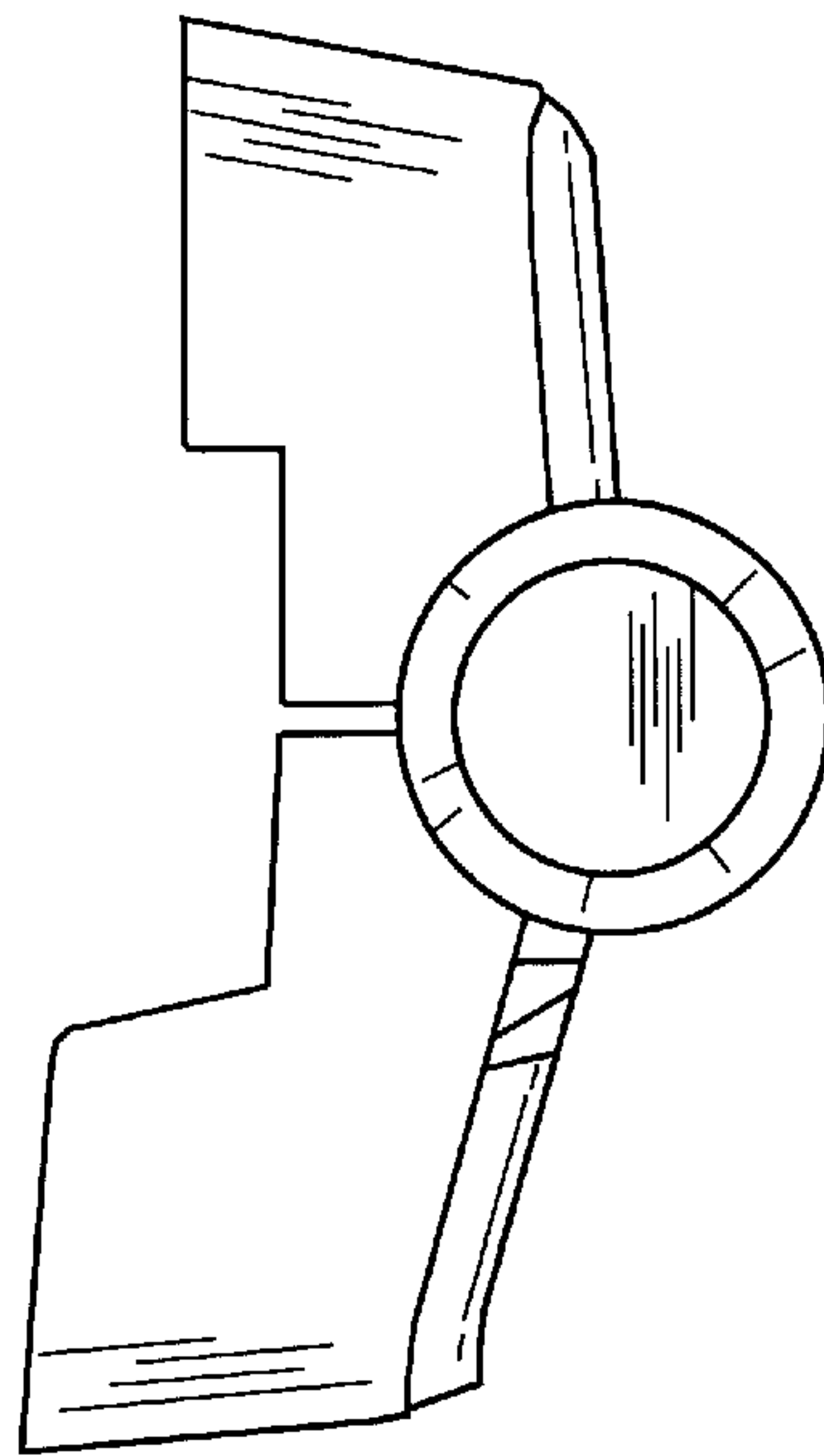


FIG. 6

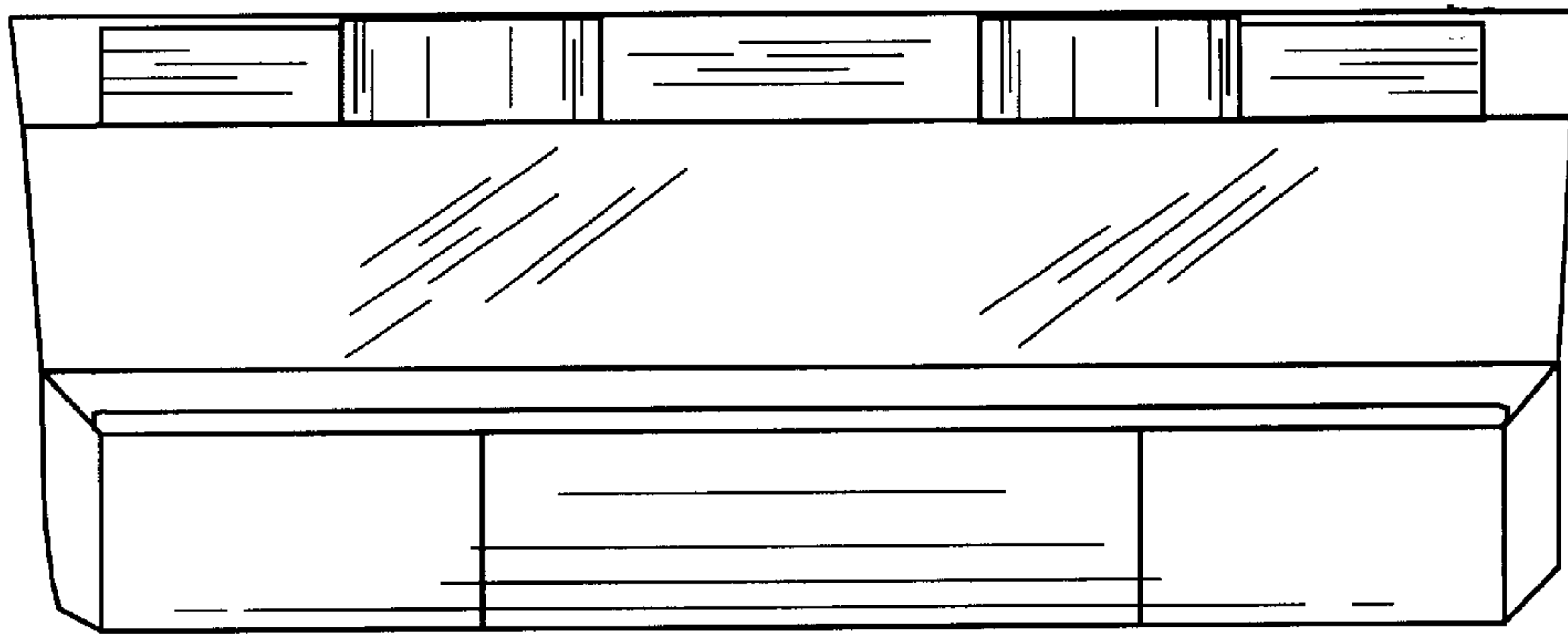


FIG. 7

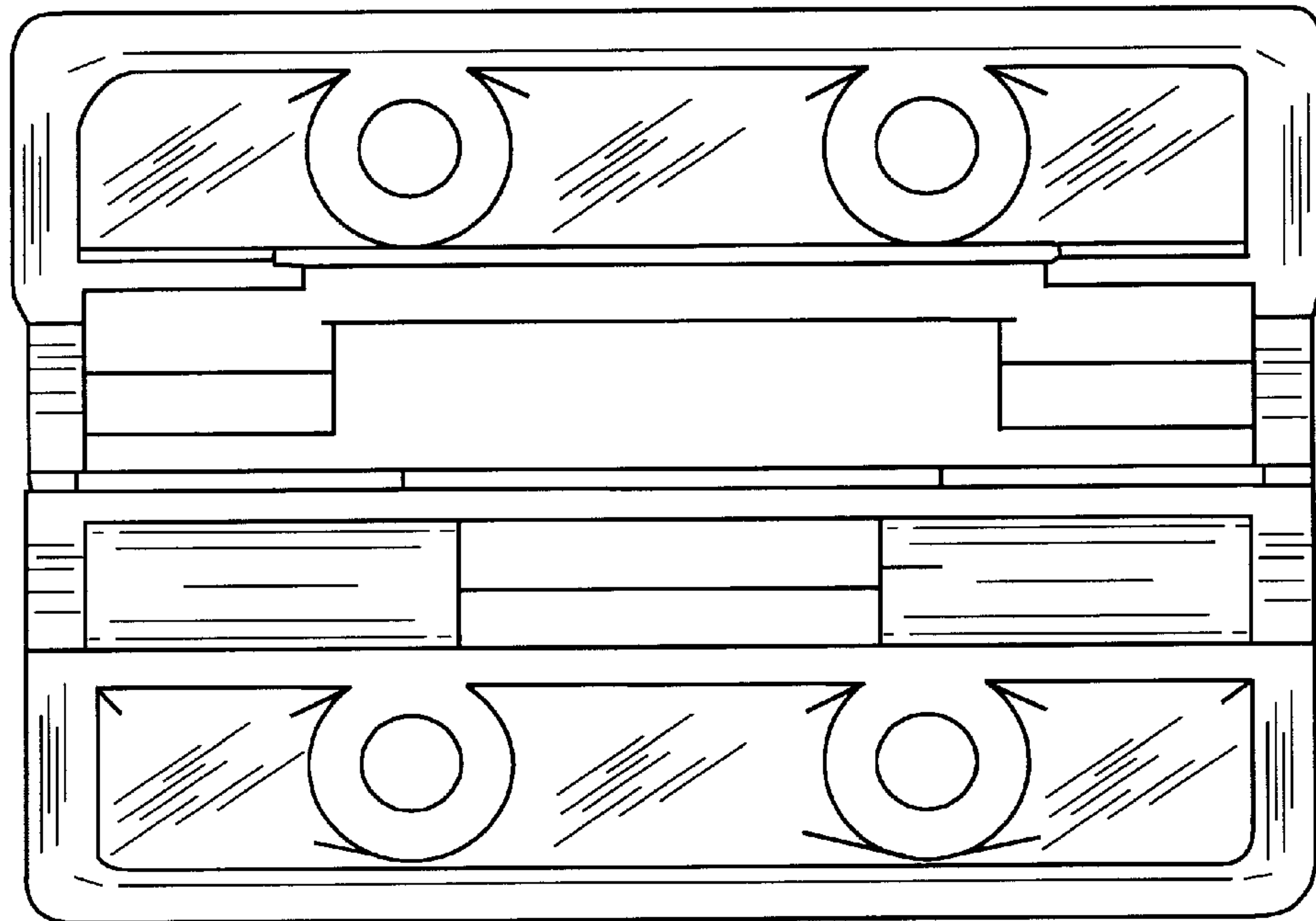


FIG. 8