



US00D436514S

(12) **United States Design Patent**  
**Rivera**

(10) **Patent No.:** **US D436,514 S**

(45) **Date of Patent:** **\*\* Jan. 23, 2001**

(54) **HANDLE AND LATCH RELEASE LEVER FOR A MULTIPURPOSE HAND TOOL**

(74) *Attorney, Agent, or Firm*—Chernoff, Vilhauer, McClung & Stenzel, LLP

(75) **Inventor:** **Benjamin C. Rivera**, West Linn, OR (US)

(57) **CLAIM**

The ornamental design for a handle and latch release lever for a multipurpose hand tool, as shown and described.

(73) **Assignee:** **Leatherman Tool Group, Inc.**, Portland, OR (US)

**DESCRIPTION**

(\*\*) **Term:** **14 Years**

FIG. 1 is an isometric view from the upper right rear of a handle and latch release lever for a multipurpose hand tool including my new design, wherein the broken line depiction of pivot pin holes and a head of a fastener is included for illustrative purposes and forms no part of the claimed design;

(21) **Appl. No.:** **29/116,885**

(22) **Filed:** **Jan. 12, 2000**

FIG. 2 is an isometric view from the upper right rear of the handle and latch release lever for a multipurpose hand tool shown in FIG. 1, showing my new design;

(51) **LOC (7) Cl.** ..... **08-05**

(52) **U.S. Cl.** ..... **D8/105; D8/107**

(58) **Field of Search** ..... D8/105, 26, 99, D8/55, 81, 87, 107, 52; 30/161, 164, 153; 7/118, 125-135, 138, 143, 164, 170; 81/177.1, 177.2, 177.6, 427.5

FIG. 3 is a right side elevational view thereof;

FIG. 4 is a top plan view thereof;

FIG. 5 is a bottom plan view thereof;

FIG. 6 is a left side elevational view thereof;

FIG. 7 is a rear end elevational view thereof; and,

FIG. 8 is a front end elevational view thereof.

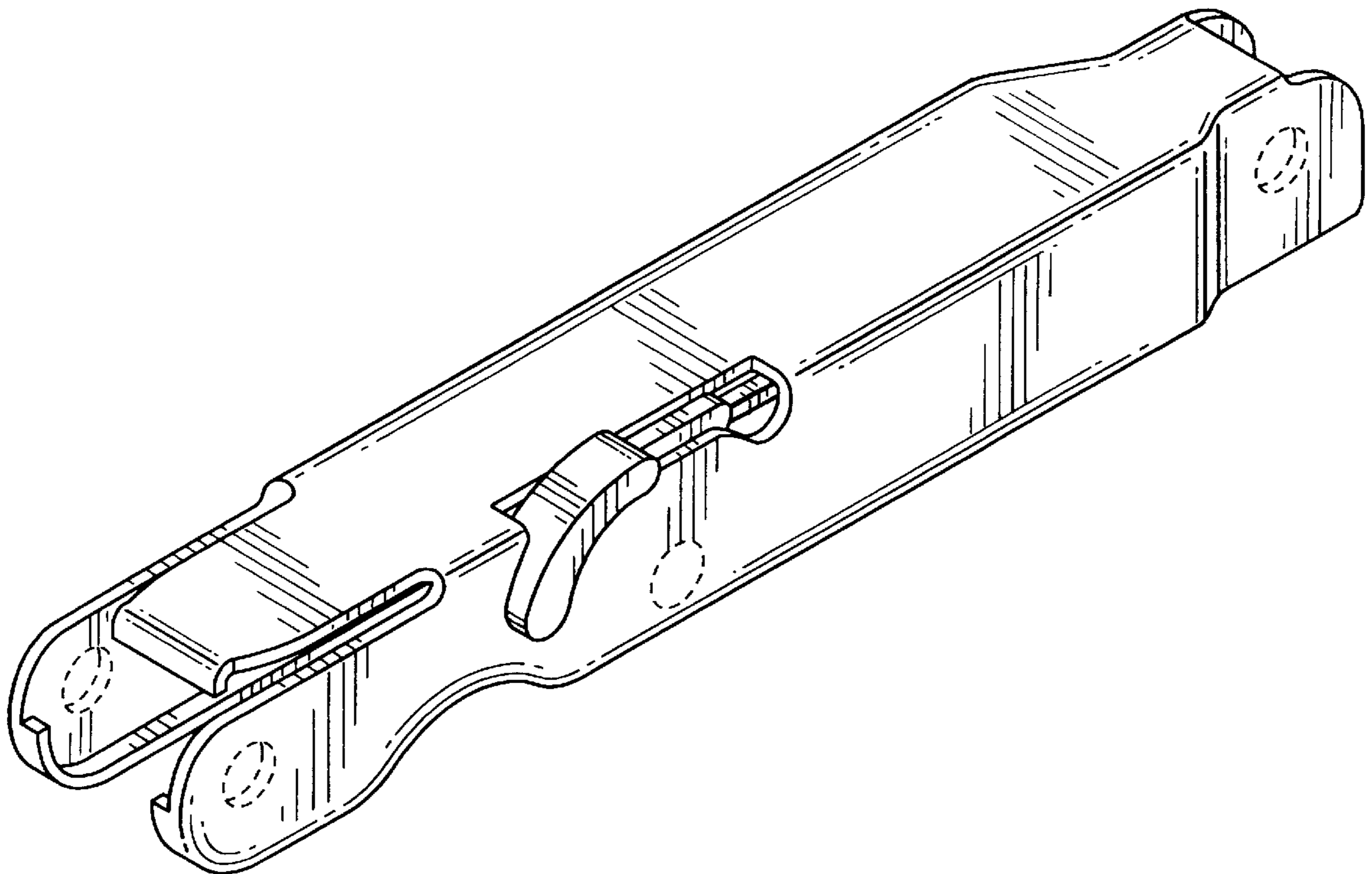
(56) **References Cited**

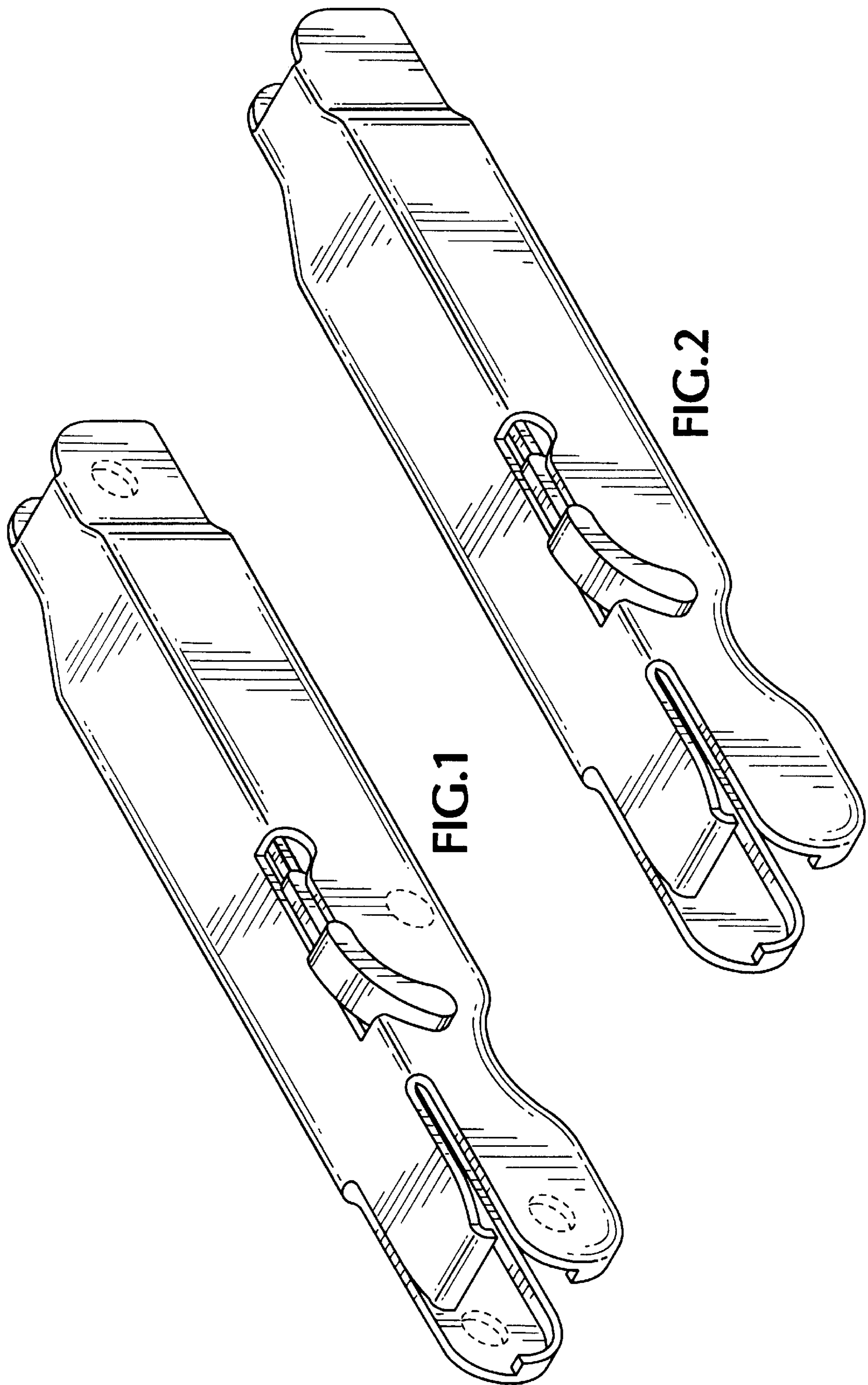
**U.S. PATENT DOCUMENTS**

5,979,059 11/1999 Leatherman et al. .... 30/161

*Primary Examiner*—Jeffrey Asch

**1 Claim, 2 Drawing Sheets**





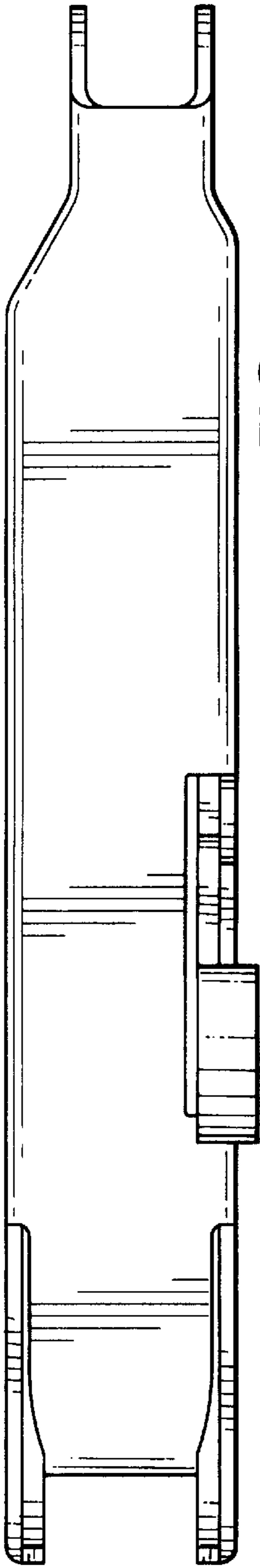


FIG. 4

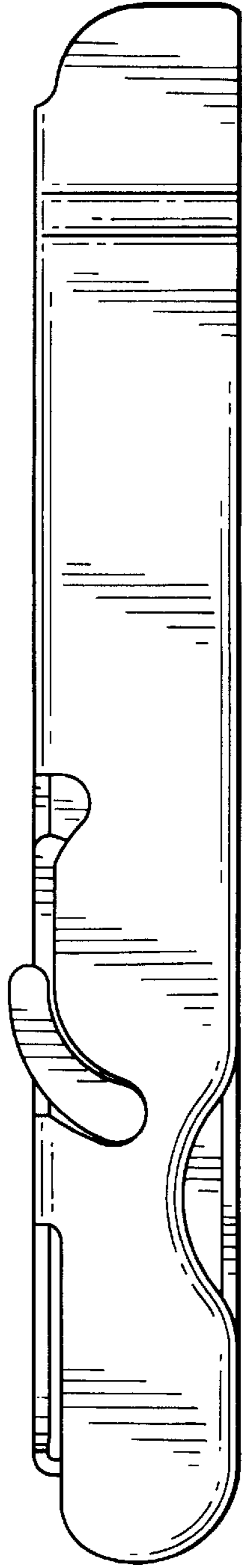


FIG. 3

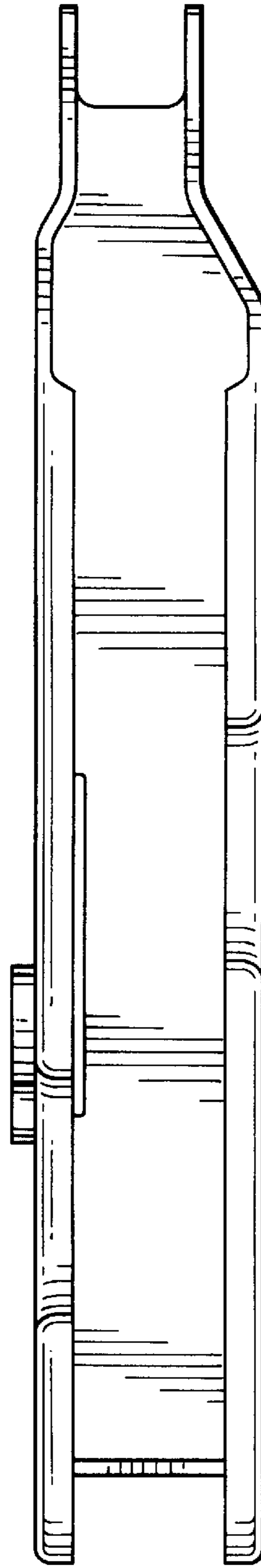


FIG. 5

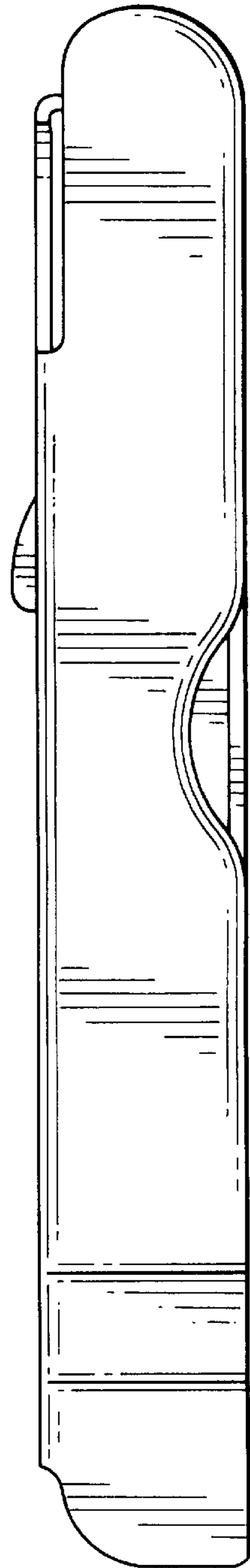


FIG. 6

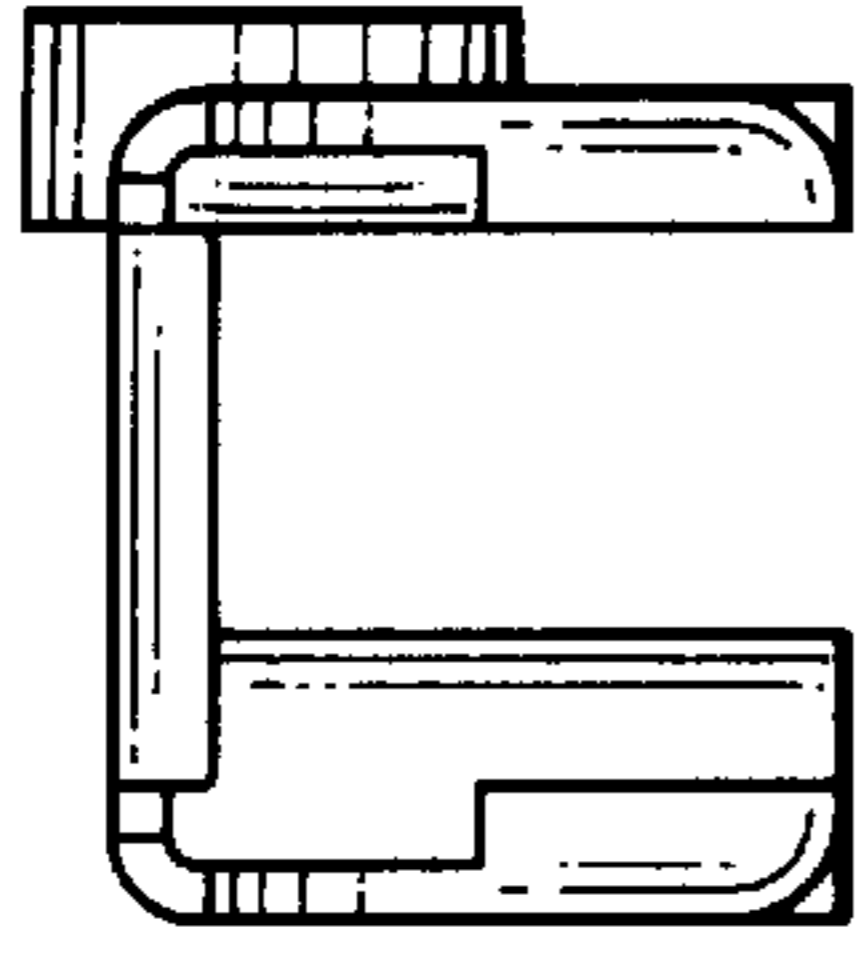


FIG. 7

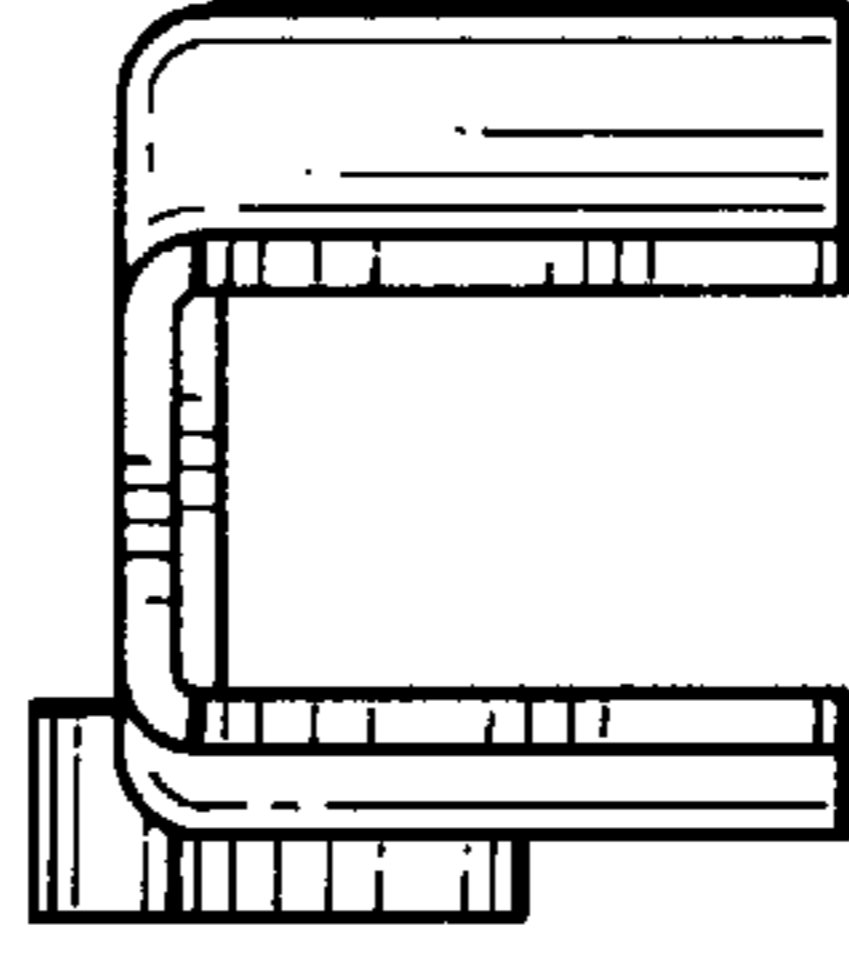


FIG. 8