



US00D436510S

(12) **United States Design Patent**
Bazayev et al.

(10) **Patent No.:** **US D436,510 S**

(45) **Date of Patent:** **** Jan. 23, 2001**

(54) **WIRE-WRAP/UNWRAP HAND TOOL**

(75) Inventors: **Edward Bazayev**, Kew Garden, NY
(US); **Edward Scirbona**, Danbury, CT
(US); **Sergey Baykov**, Richmond Hill,
NY (US)

(73) Assignee: **OK International Inc.**, Yonkers, NY
(US)

(**) Term: **14 Years**

(21) Appl. No.: **29/117,093**

(22) Filed: **Jan. 18, 2000**

(51) **LOC (7) Cl.** **08-05**

(52) **U.S. Cl.** **D8/68**

(58) **Field of Search** D8/61-70; 81/57.11,
81/54, 57.42; 173/170, 163, 169; 140/124,
122; 242/439.3

(56) **References Cited**

U.S. PATENT DOCUMENTS

D. 205,631	*	8/1966	Averitt	D8/68
D. 221,926	*	9/1971	Farkas	D8/68
D. 298,207		10/1988	Kilmer et al.	.	
D. 301,299	*	5/1989	Chapin	D8/68
D. 333,079	*	2/1993	Mikiya	D8/68
D. 335,073	*	4/1993	Anthony et al.	D8/68
D. 340,396	*	10/1993	Ichikawa	D8/68
D. 342,430	*	12/1993	Saito et al.	D8/68
D. 360,814	*	8/1995	Kimata	D8/68
D. 380,951	*	7/1997	Zoiss	D8/68
D. 408,249	*	4/1999	Fallandy	D8/68
D. 424,902	*	5/2000	Gildersleeve et al.	D8/68
3,318,343	*	5/1967	Dryden	140/124

3,318,344	*	5/1967	Lamoureux	242/439.3
3,717,183	*	2/1973	Coss	140/124
3,903,936	*	9/1975	Bergmann	140/124
3,931,839	*	1/1976	Burman	140/124
3,949,944	*	4/1976	Bent	242/439.3
4,330,093	*	5/1982	Chapman, Jr.	242/439.3
4,633,921	*	1/1987	Kilmer	140/124
4,779,687	*	10/1988	Schreiber et al.	173/170
5,458,159	*	10/1995	Kilmer	140/122

* cited by examiner

Primary Examiner—Jeffrey Asch

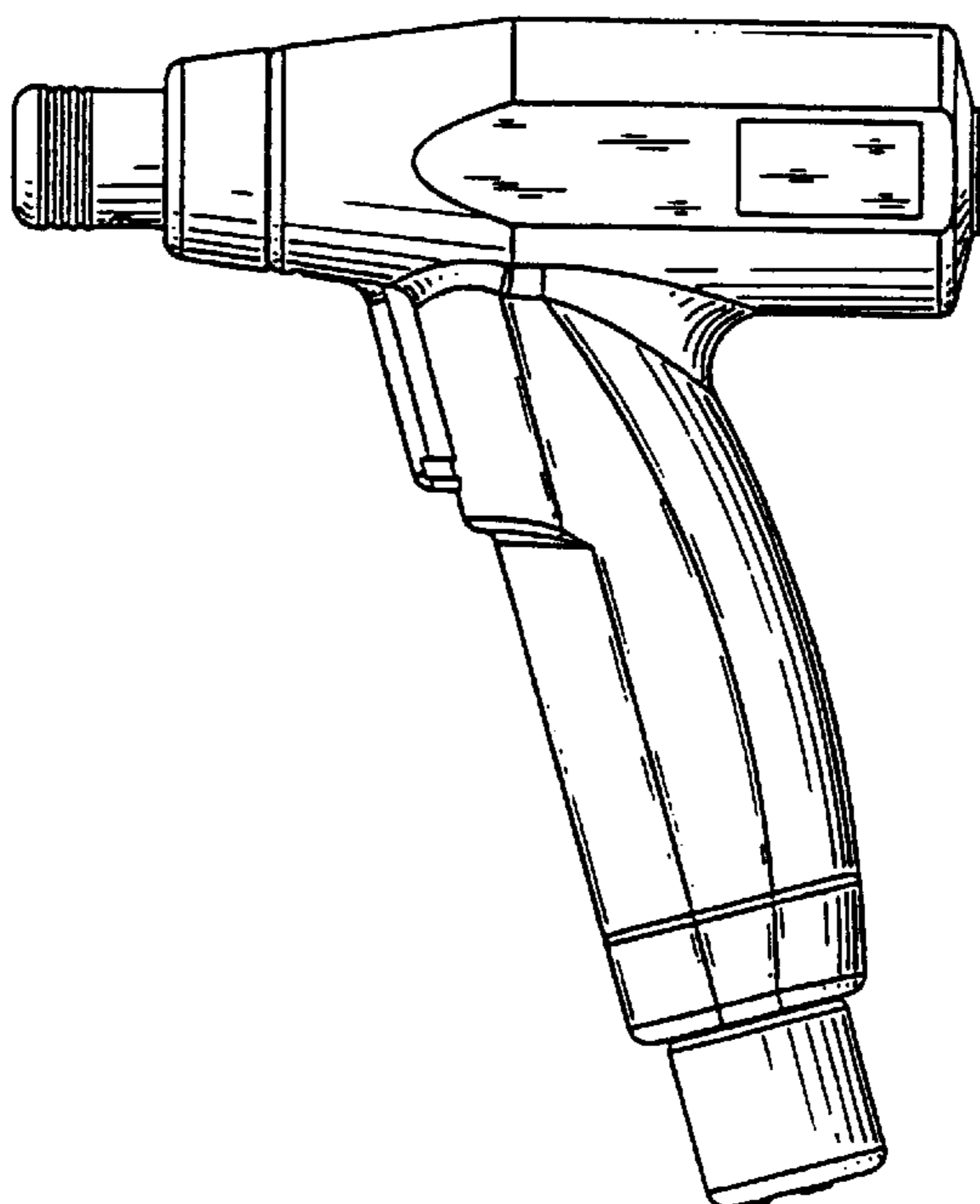
(57) **CLAIM**

The ornamental design for a wire-wrap/unwrap hand tool, substantially as shown and described.

DESCRIPTION

FIG. 1 is a left side view of a first embodiment of a wire-wrap/unwrap hand tool according to the invention; FIG. 2 is a top plan view of the tool of FIG. 1; FIG. 3 is a bottom plan view of the tool of FIG. 1; FIG. 4 is a plan view of the front of the tool of FIG. 1, taken from the left side of FIG. 1; FIG. 5 is a plan view of the rear of the tool of FIG. 1, taken from the right side of FIG. 1; FIG. 6 is a plan view of the tool of FIG. 1 is taken from the right side, the side opposite to the view of FIG. 1; and, FIG. 7 is a view similar to that of FIG. 1 but of a second embodiment. The only difference between the two embodiments is that the end of a battery shown protruding from the bottom of the gun handle of FIGS. 1-6 has been replaced by a line cord in FIG. 7. Otherwise, the body of the gun is identical.

1 Claim, 2 Drawing Sheets



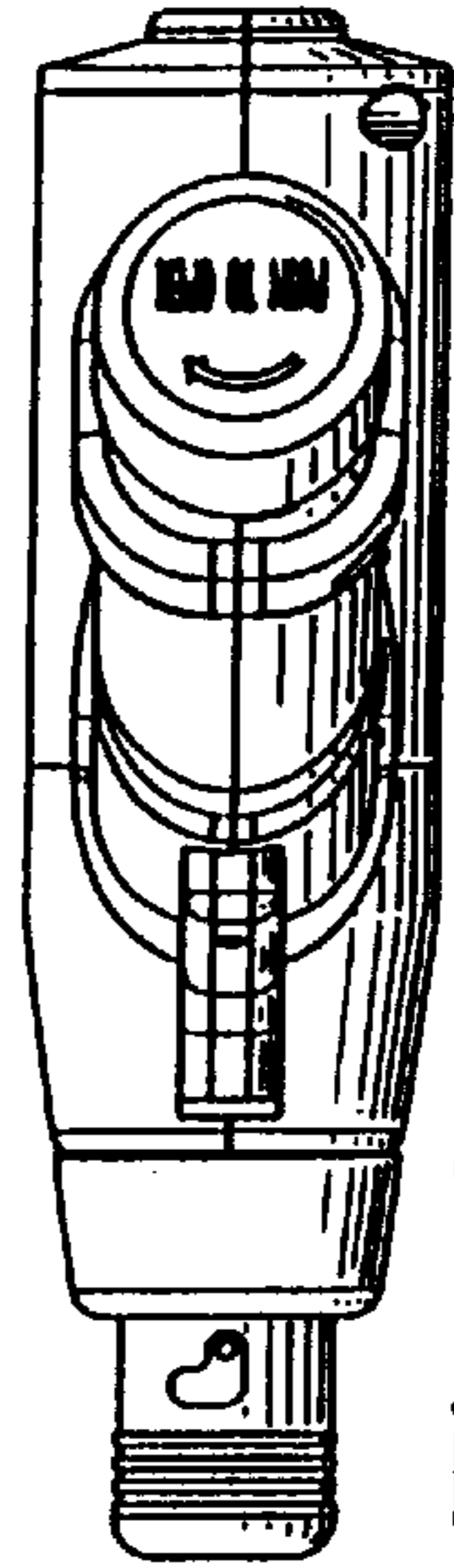
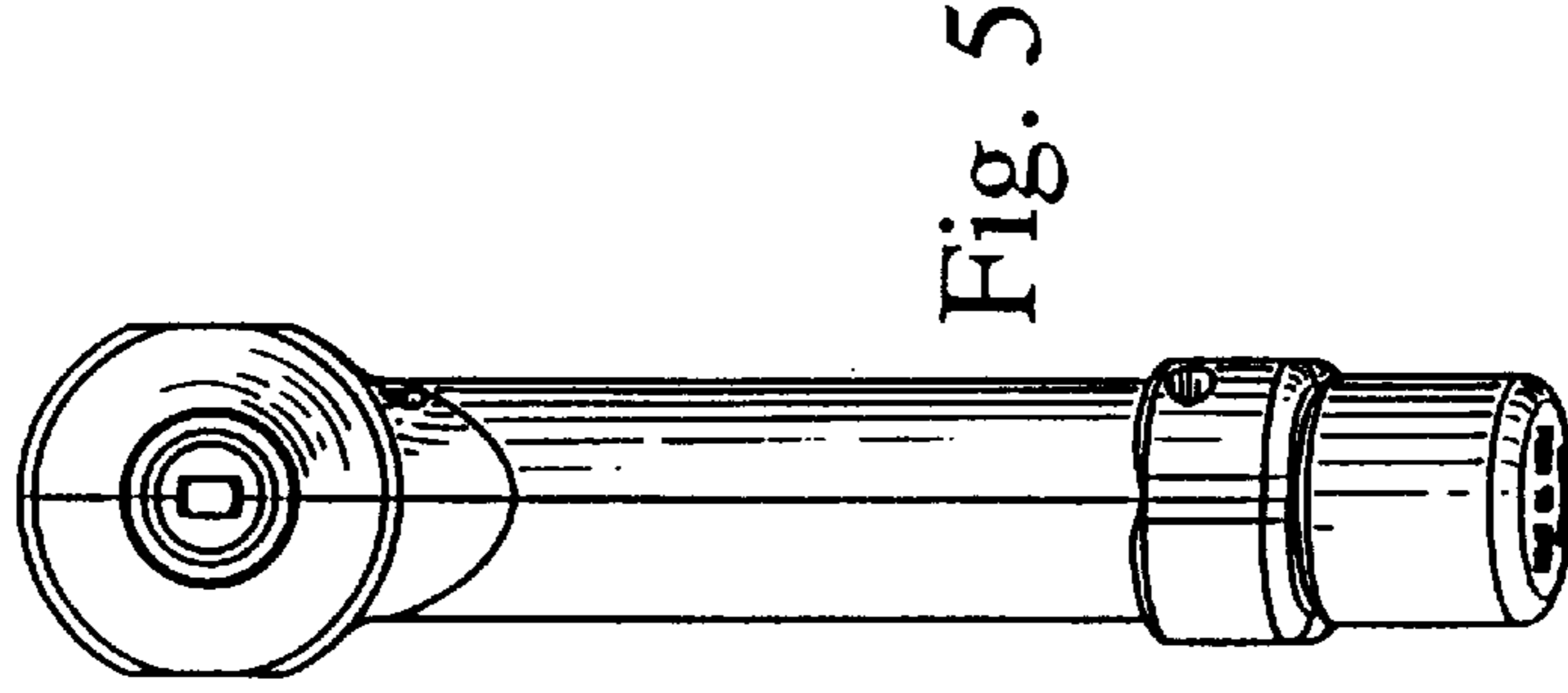
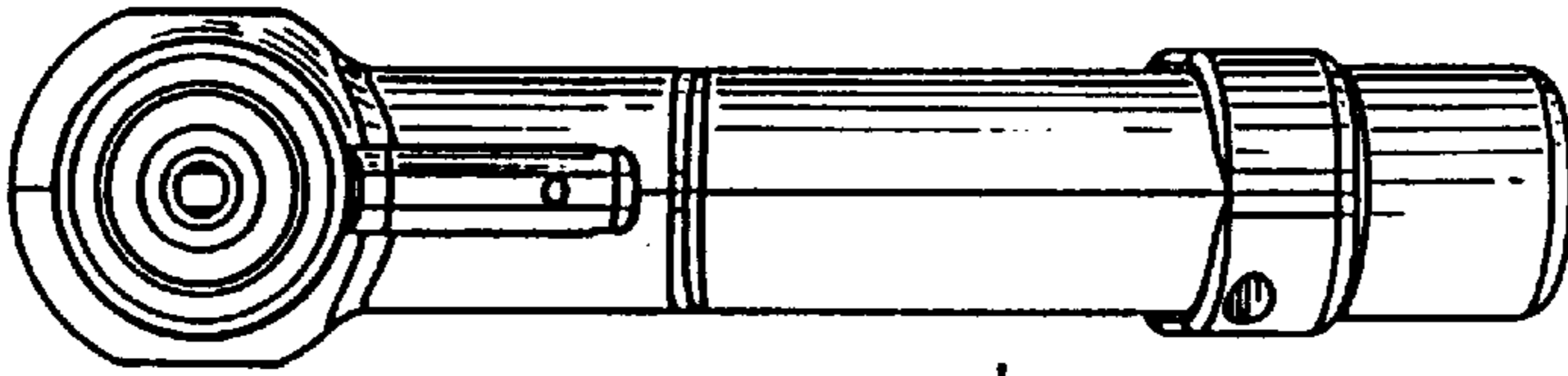
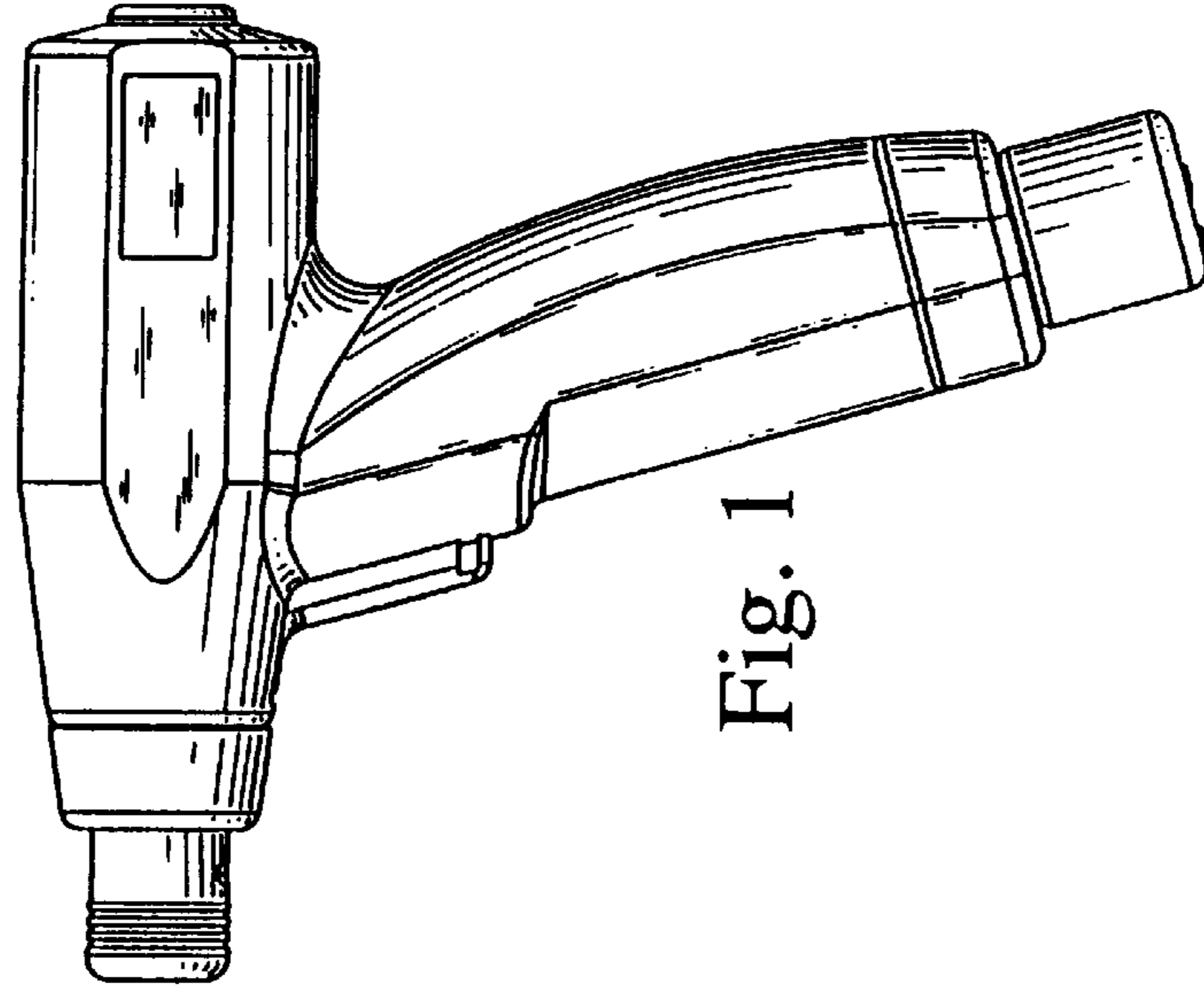
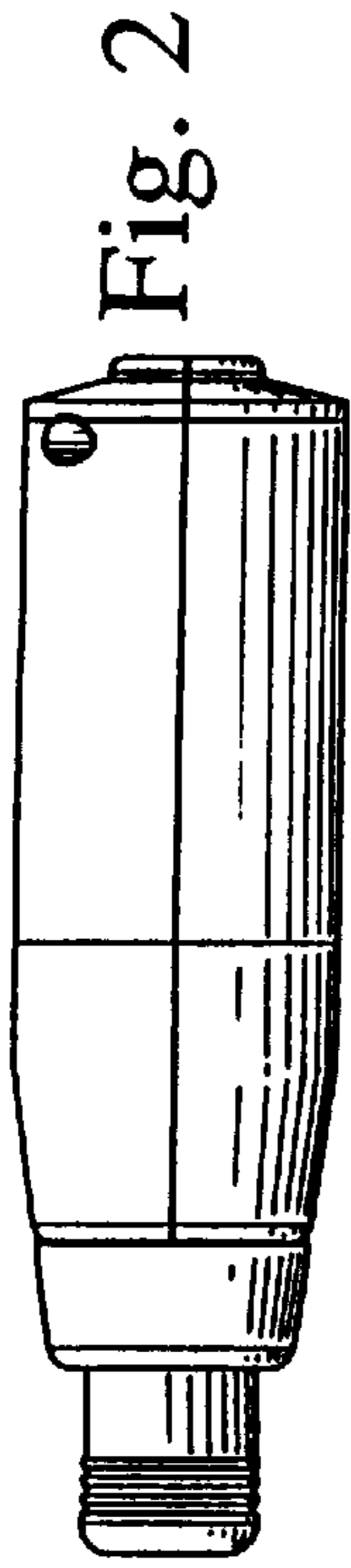


Fig. 4

Fig. 3

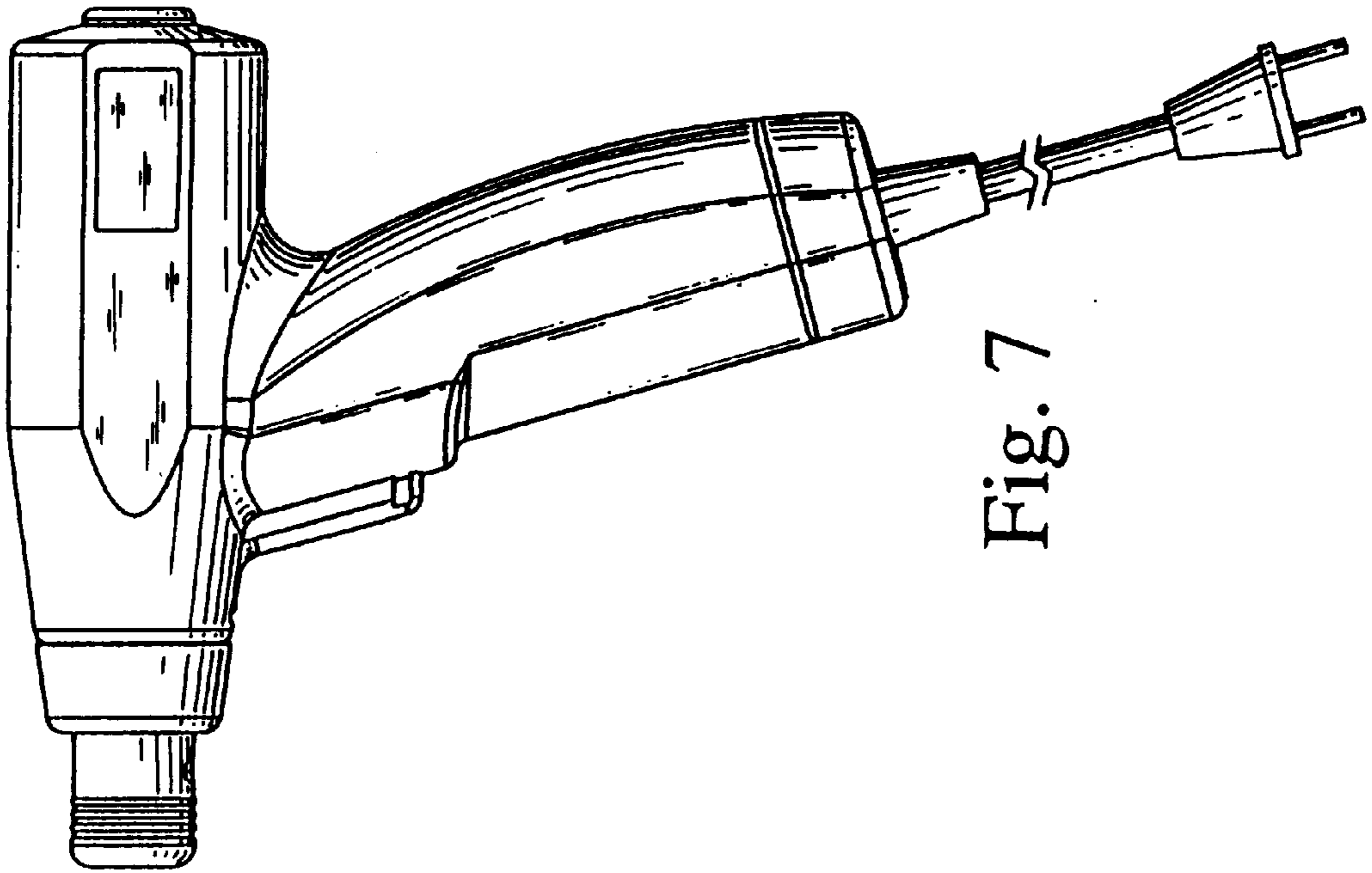


Fig. 7

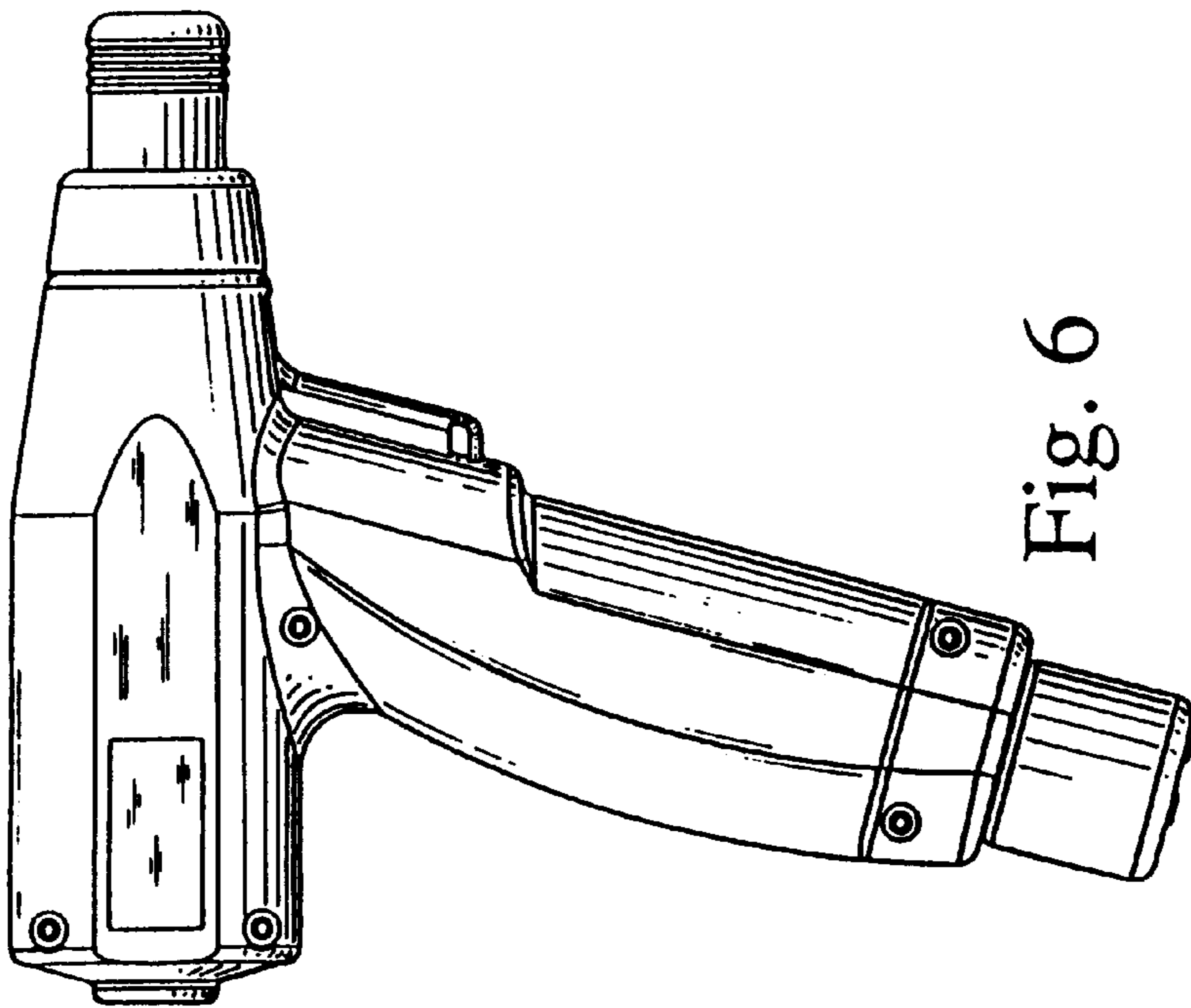


Fig. 6