



US00D436504S

(12) **United States Design Patent**
Demers

(10) **Patent No.:** **US D436,504 S**

(45) **Date of Patent:** **** Jan. 23, 2001**

(54) **EGG SLICER**

3,163,192 12/1964 Lupoli .
5,749,145 * 5/1998 Baukloh 30/114

(75) Inventor: **Brian J. Demers**, Orlando, FL (US)

* cited by examiner

(73) Assignee: **Dart Industries Inc**, Orlando, FL (US)

Primary Examiner—Terry A. Wallace

(**) Term: **14 Years**

(74) *Attorney, Agent, or Firm*—Taylor J. Ross

(21) Appl. No.: **29/122,304**

(57) **CLAIM**

(22) Filed: **Apr. 25, 2000**

The ornamental design for an egg slicer, as shown and described.

(51) **LOC (7) Cl.** **07-04**

DESCRIPTION

(52) **U.S. Cl.** **D7/673**

(58) **Field of Search** D7/673, 674, 693;
30/114-117, 303, 304

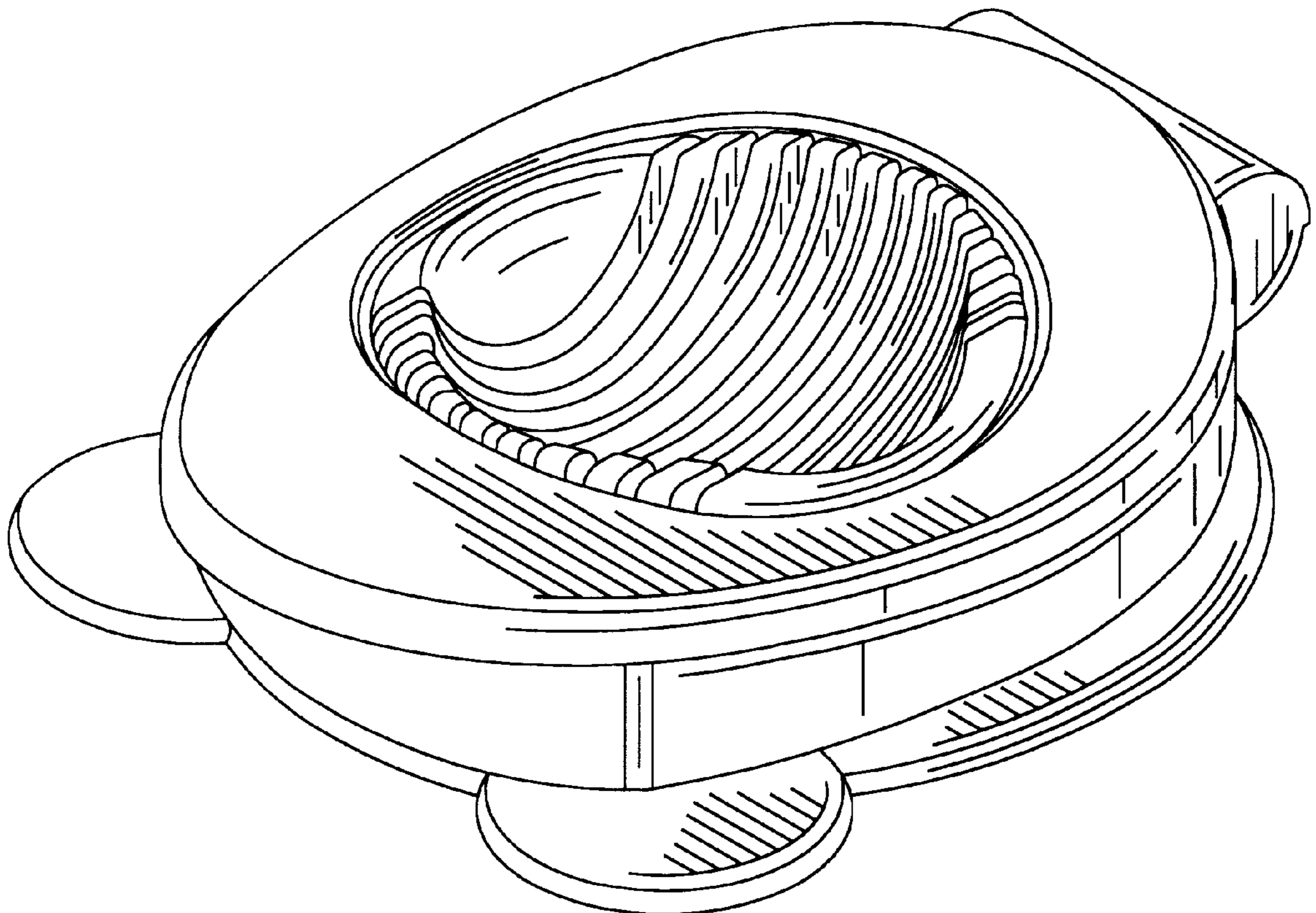
FIG. 1 is a top, side and front perspective view of an egg slicer showing the new design;
FIG. 2 is a bottom, side and rear perspective view thereof;
FIG. 3 is a front elevation view thereof;
FIG. 4 is a rear elevation view thereof;
FIG. 5 is a right side elevation view thereof;
FIG. 6 is a left side elevation view thereof;
FIG. 7 is a top plan view thereof; and,
FIG. 8 is a bottom plan view thereof.

(56) **References Cited**

U.S. PATENT DOCUMENTS

- D. 85,385 10/1931 Lowitz .
- D. 297,798 9/1988 Leung .
- D. 318,601 7/1991 Barnett .
- D. 375,661 11/1996 Ross .
- D. 400,065 10/1998 Fohrman .

1 Claim, 4 Drawing Sheets



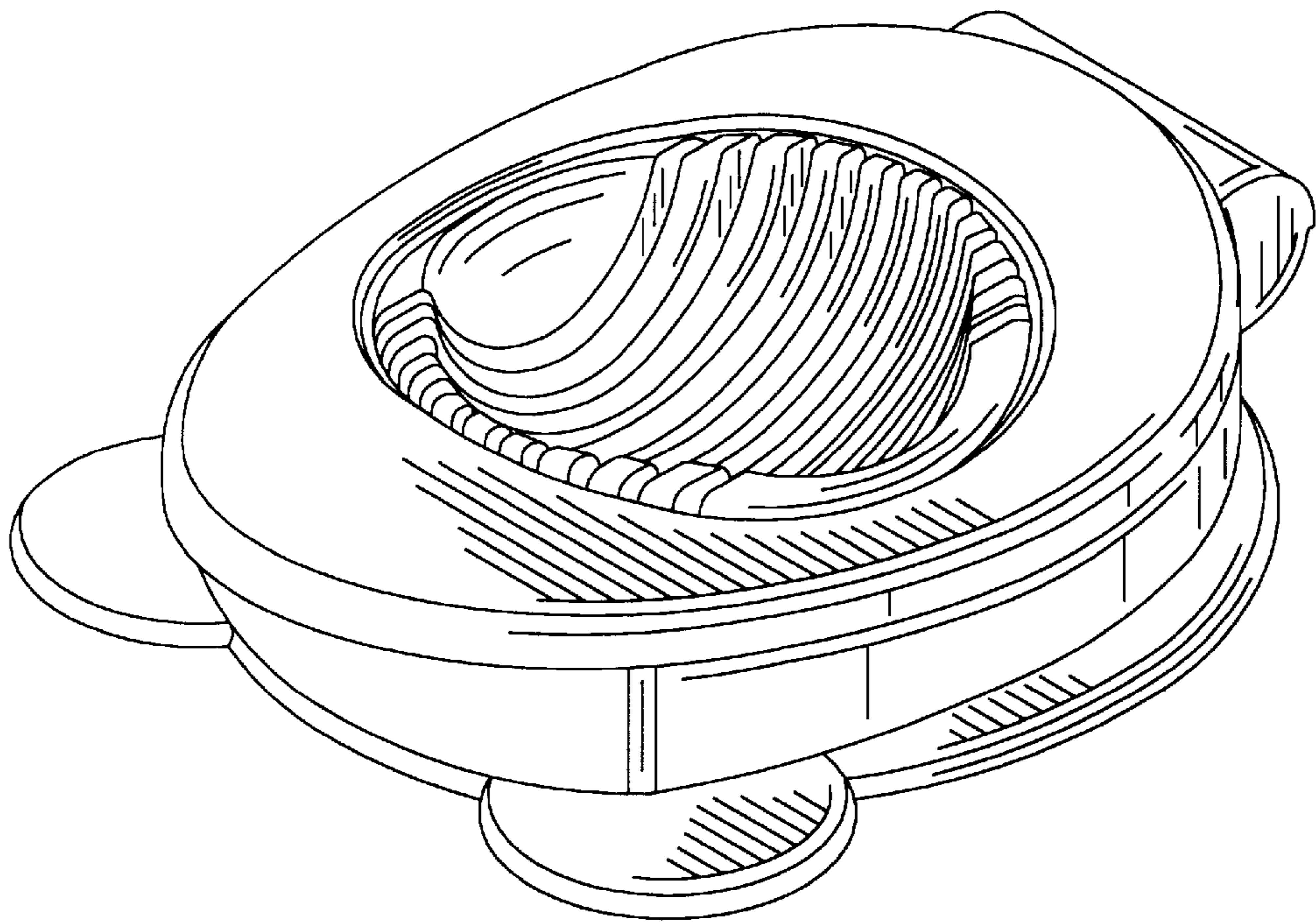


FIG. 1

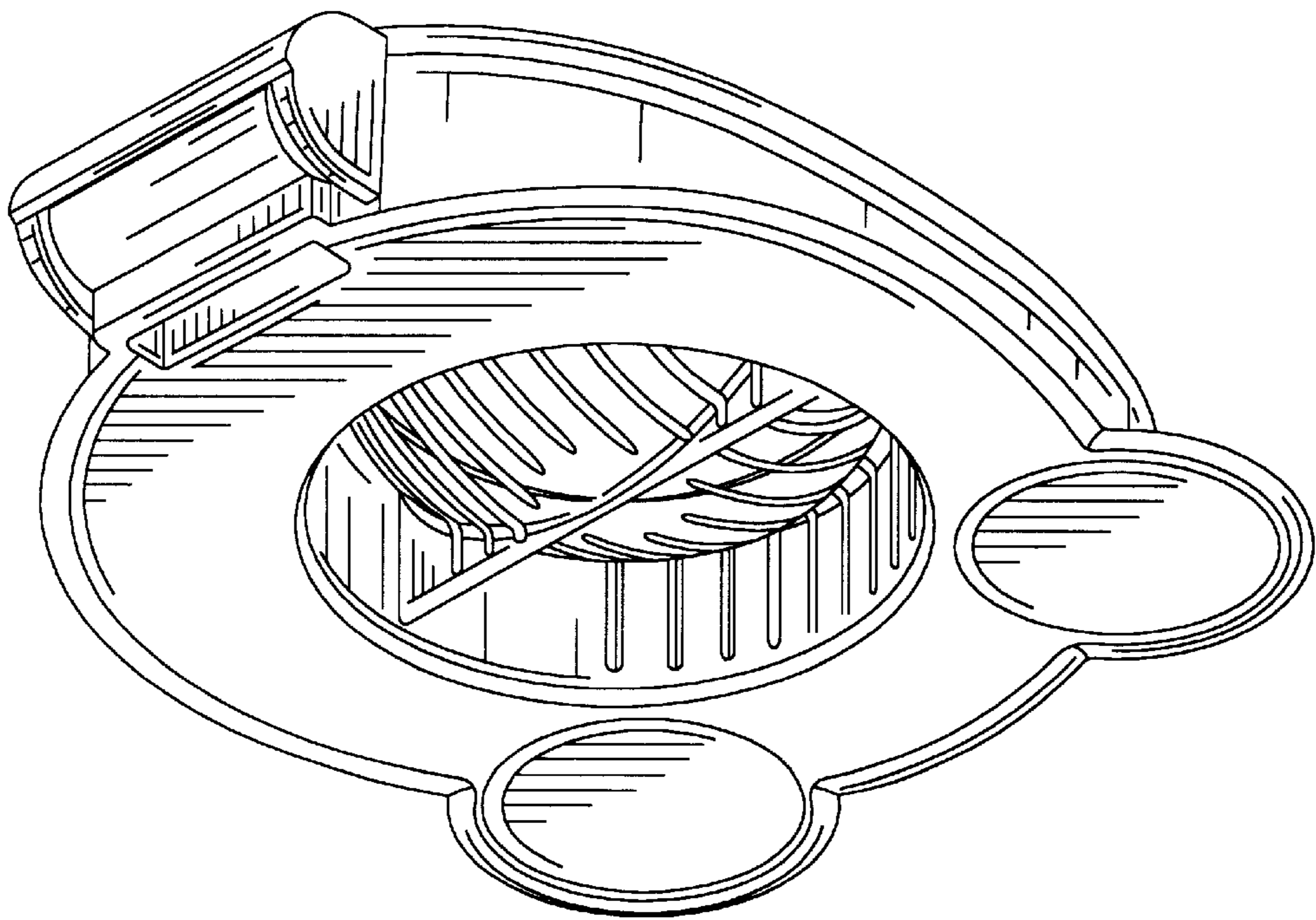


FIG. 2

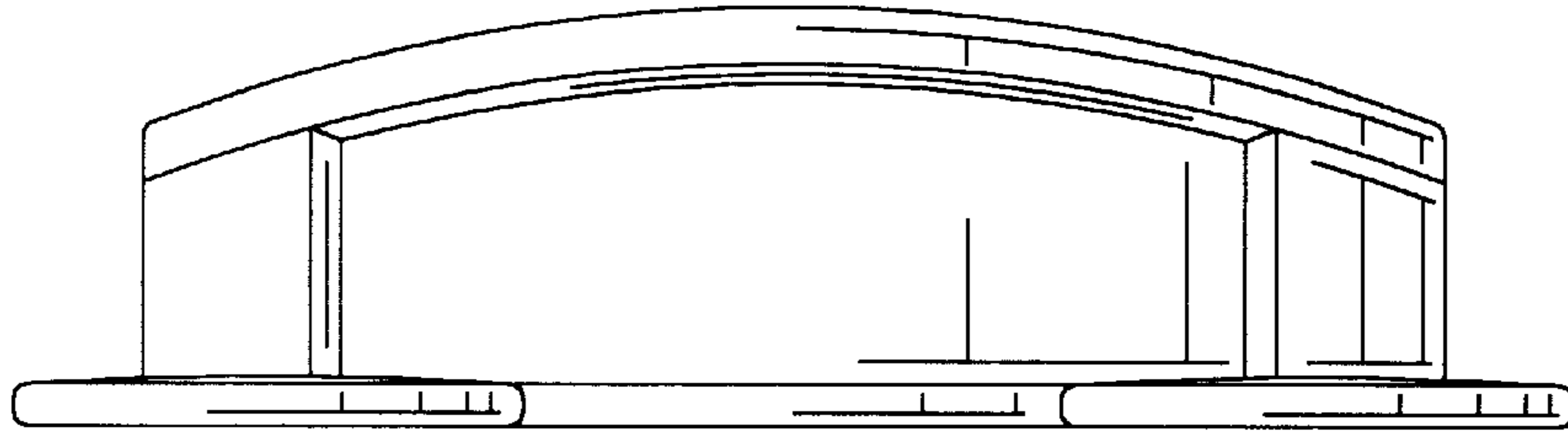


FIG. 3

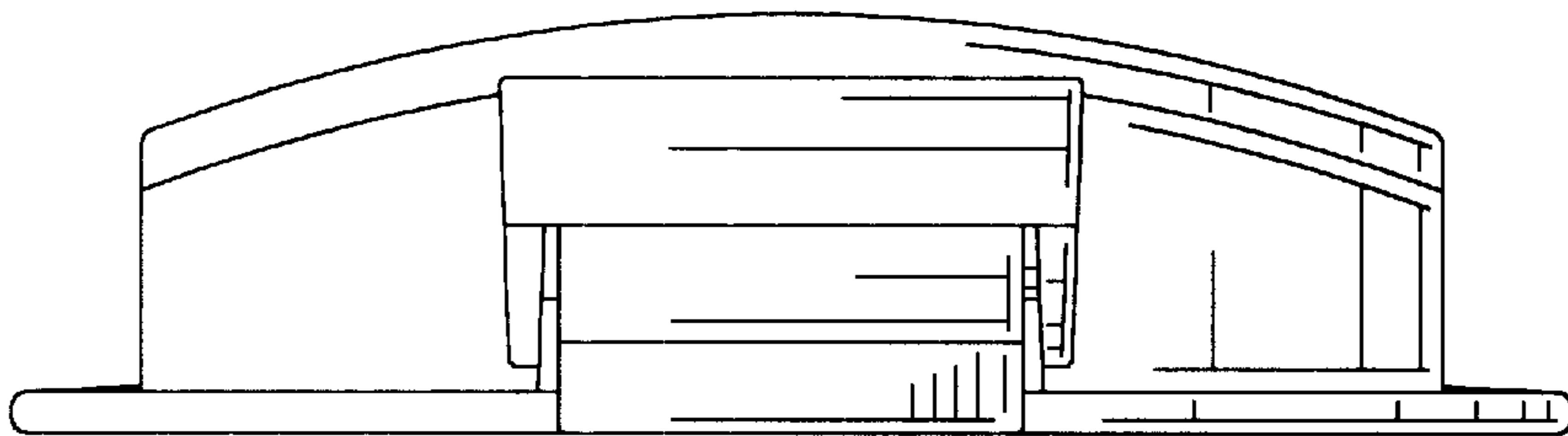


FIG. 4

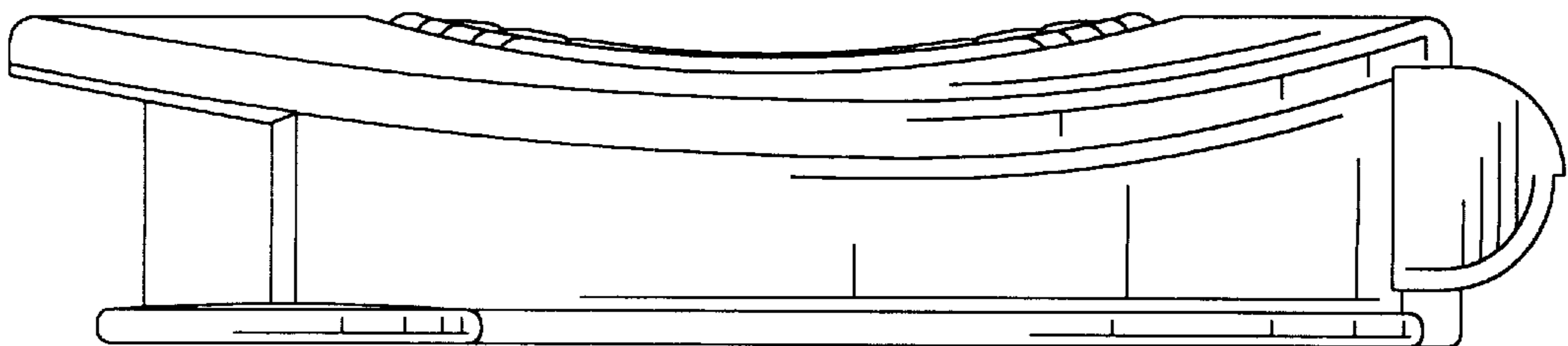


FIG. 5

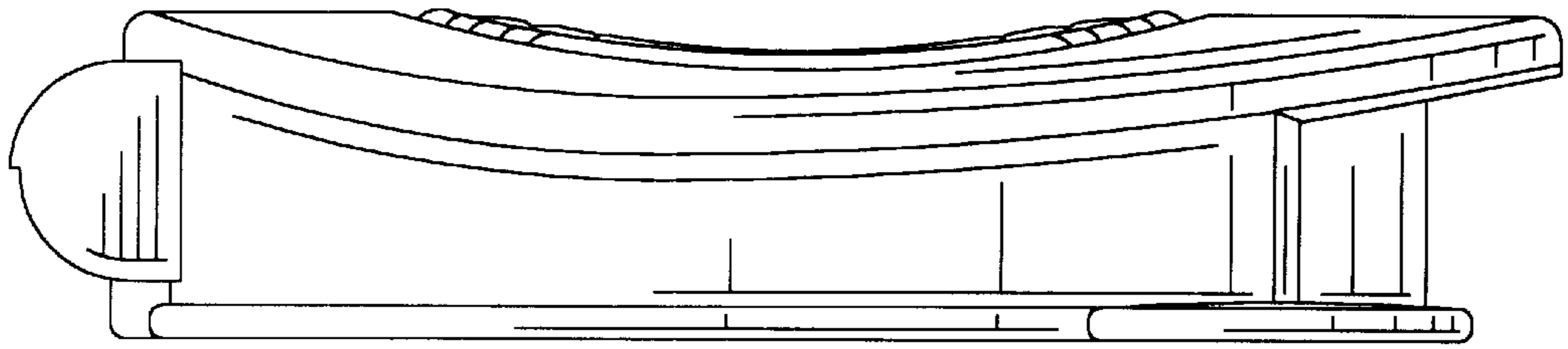


FIG. 6

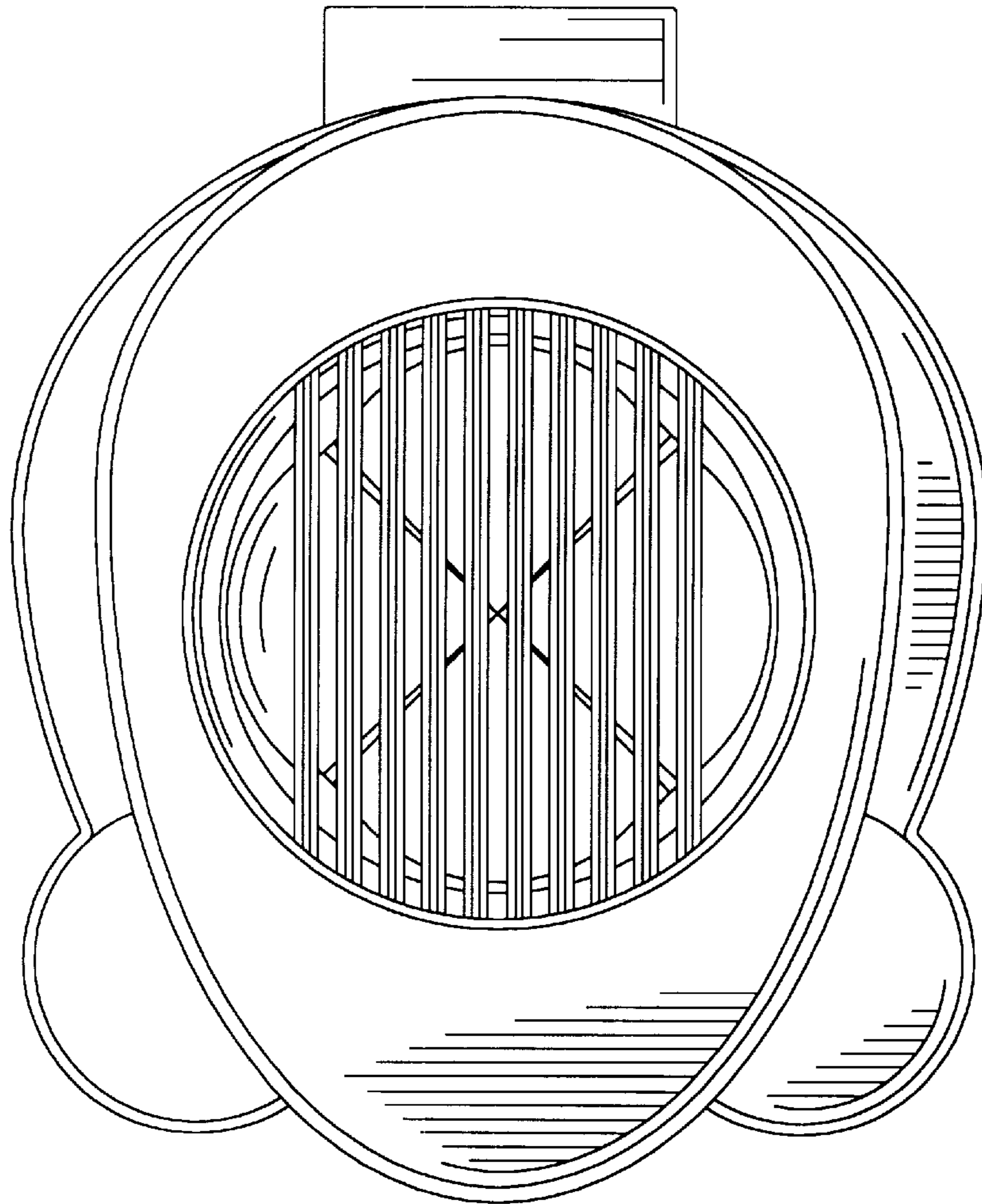


FIG. 7

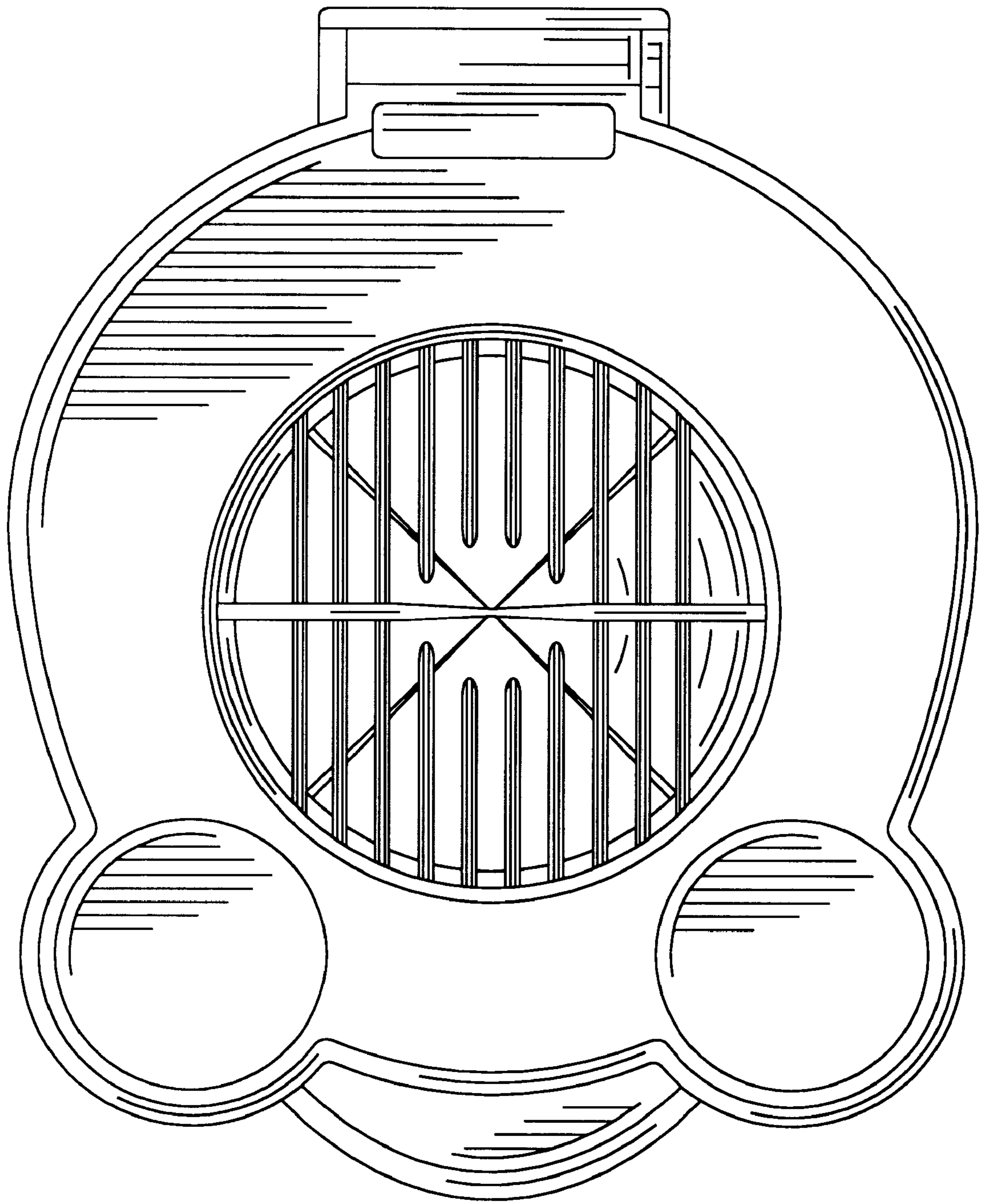


FIG. 8