



US00D436503S

(12) **United States Design Patent**  
**Choi**

(10) **Patent No.:** **US D436,503 S**

(45) **Date of Patent:** **\*\* Jan. 23, 2001**

(54) **JUICER**

(75) **Inventor:** **Lung Wai Choi, Kowloon (HK)**

(73) **Assignee:** **Goodway Electrical Co. Ltd.,  
Kowloon (HK)**

(\*\*) **Term:** **14 Years**

(21) **Appl. No.:** **29/114,466**

(22) **Filed:** **Nov. 24, 1999**

(30) **Foreign Application Priority Data**

May 24, 1999 (GB) ..... 2083666

(51) **LOC (7) Cl.** ..... **07-04**

(52) **U.S. Cl.** ..... **D7/665**

(58) **Field of Search** ..... D7/590, 665, 666,  
D7/372-374; 99/501-508; 100/107, 213

(56) **References Cited**

**U.S. PATENT DOCUMENTS**

D. 379,744 \* 6/1997 Thackray ..... D7/665  
D. 395,803 \* 7/1998 Lallemand ..... D7/665

\* cited by examiner

*Primary Examiner*—Terry A. Wallace

(74) *Attorney, Agent, or Firm*—Christensen O'Connor  
Johnson Kindness PLLC

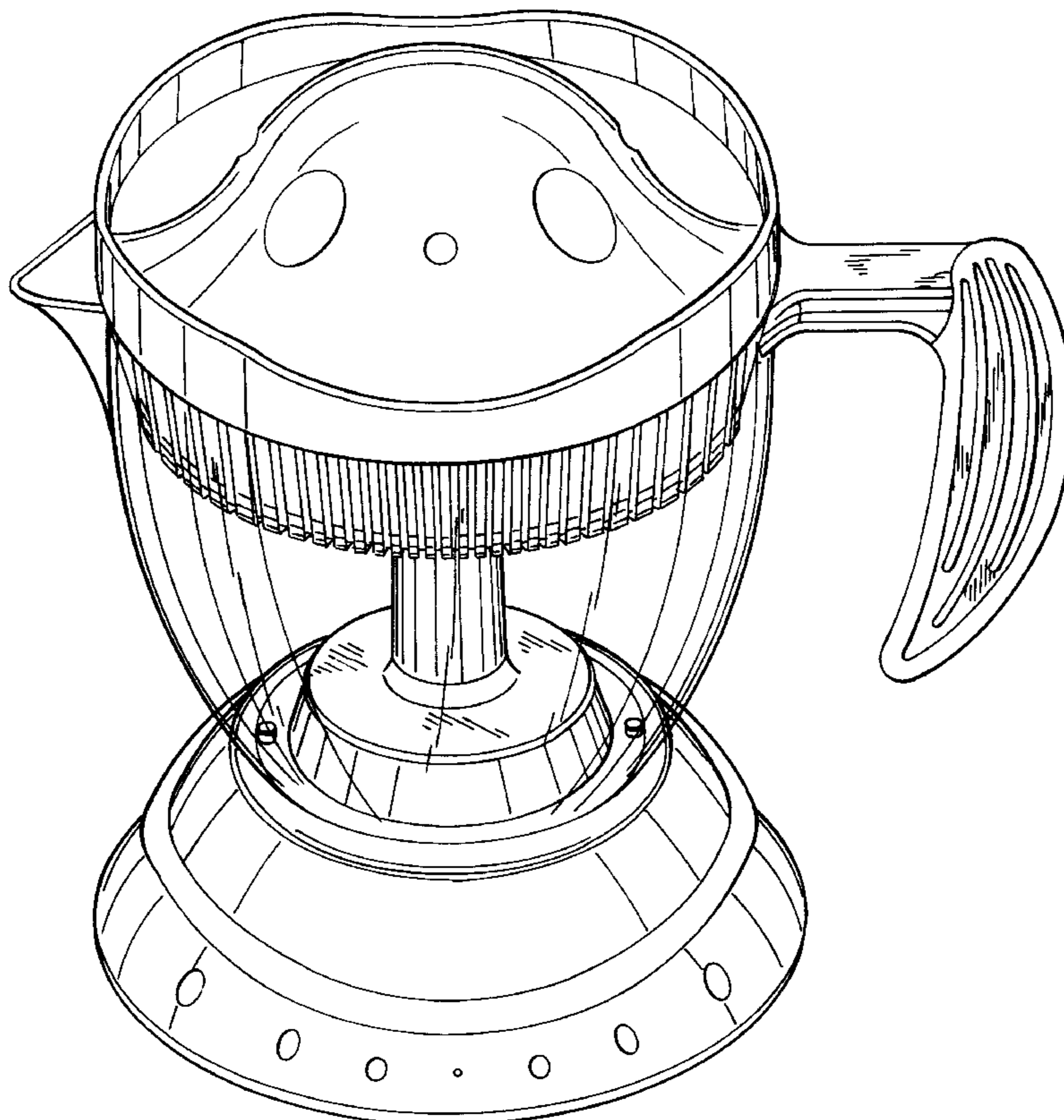
(57) **CLAIM**

I claim the ornamental design for a juicer, as shown and described.

**DESCRIPTION**

FIG. 1 is a perspective view of my new juicer;  
FIG. 2 is a front view thereof;  
FIG. 3 is a rear view thereof;  
FIG. 4 is a left side view thereof;  
FIG. 5 is a right side view thereof;  
FIG. 6 is a top view thereof;  
FIG. 7 is a bottom view thereof;  
FIG. 8 is a left side view of the lid of the juicer;  
FIG. 9 is a top view of the lid;  
FIG. 10 is a left side view of the cone of the juicer;  
FIG. 11 is a top view of the cone;  
FIG. 12 is a left side view of the strainer of the juicer;  
FIG. 13 is a top view of the strainer;  
FIG. 14 is a left side view of the jug of the juicer;  
FIG. 15 is a top view of the jug;  
FIG. 16 is a left side view of the main body of the juicer;  
and,  
FIG. 17 is a top view of the main body.  
The lid, cone, strainer and main body of the juicer are shown separately in FIGS. 8-17 for clarity of illustration.

**1 Claim, 7 Drawing Sheets**



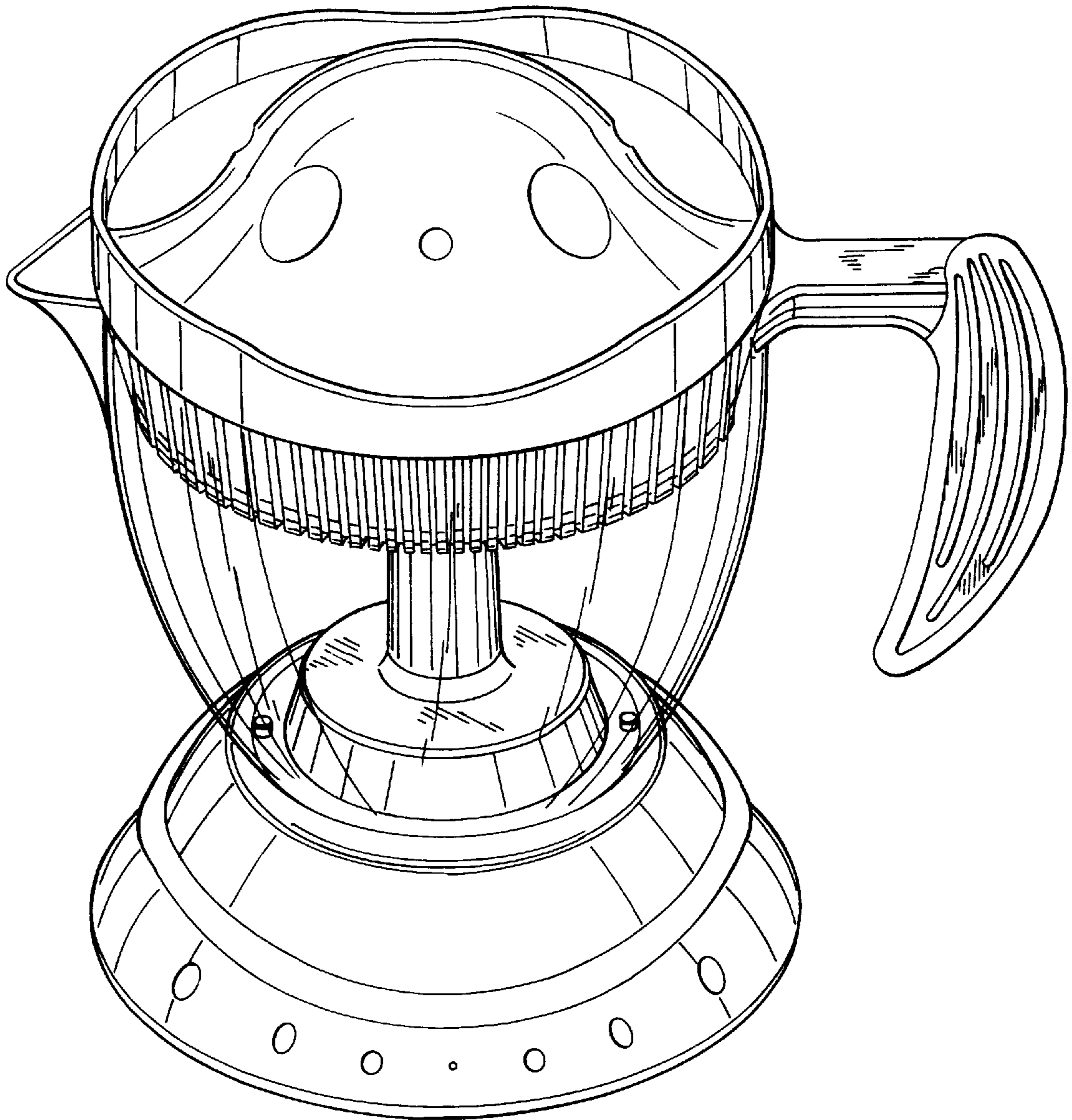
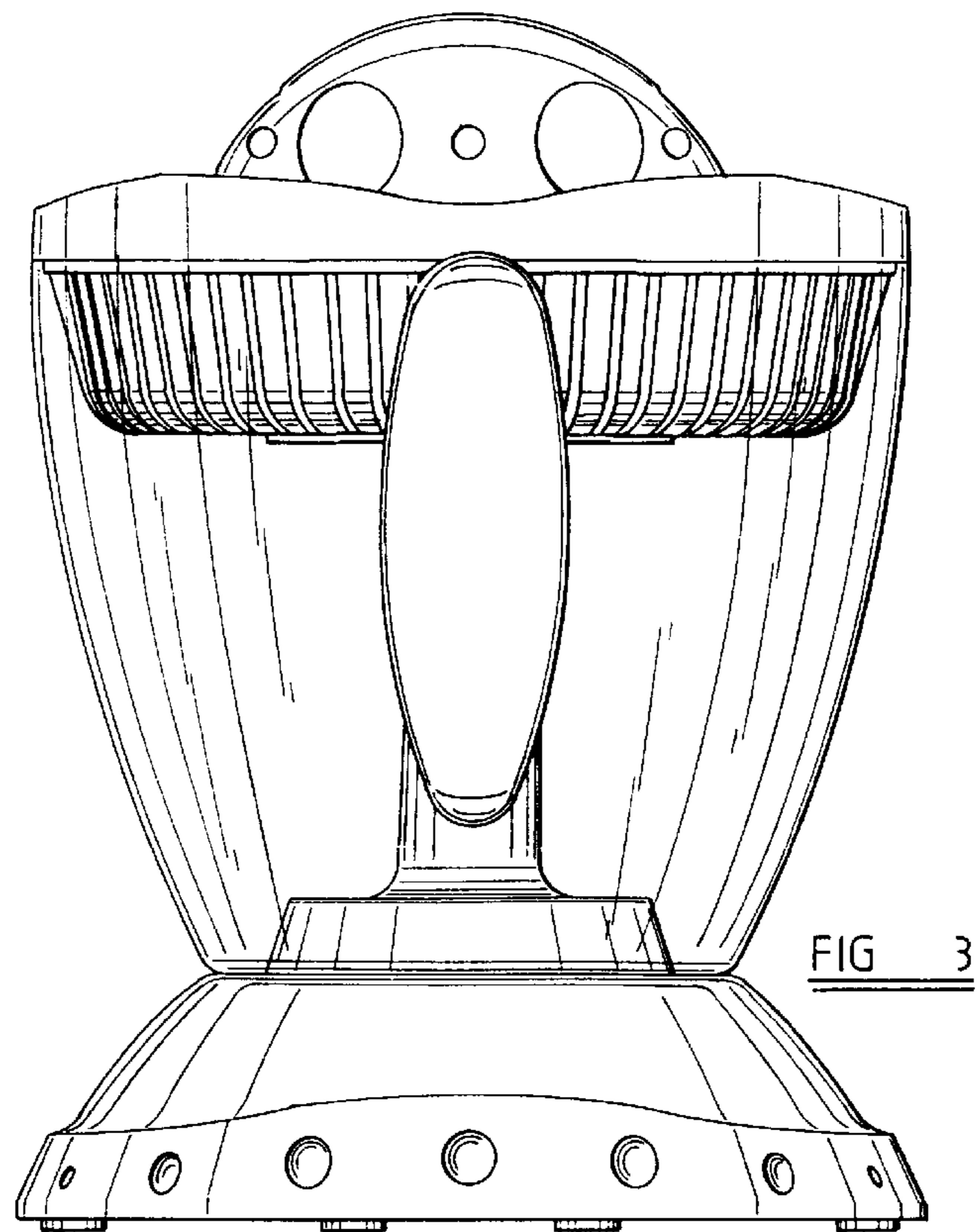
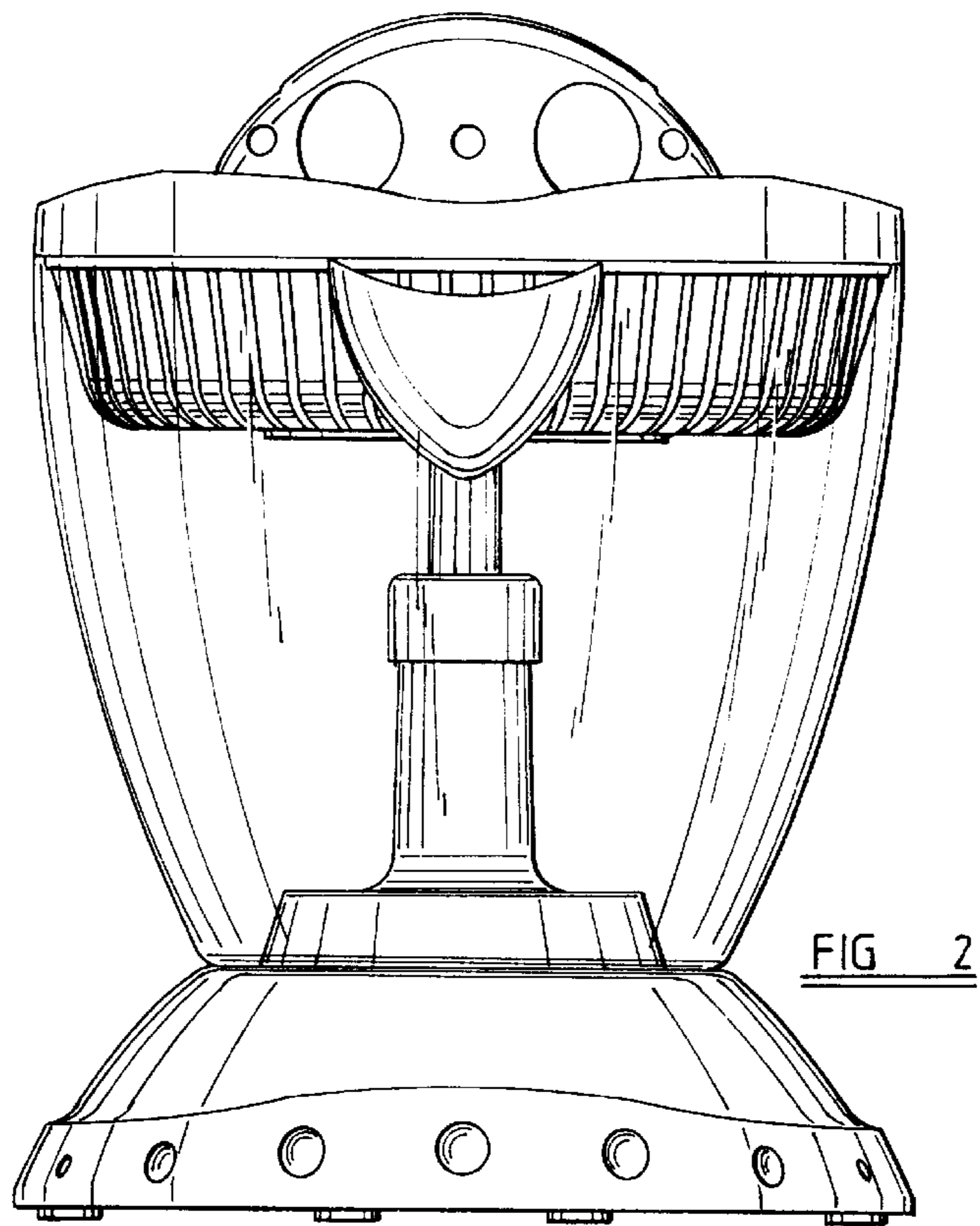


FIG 1



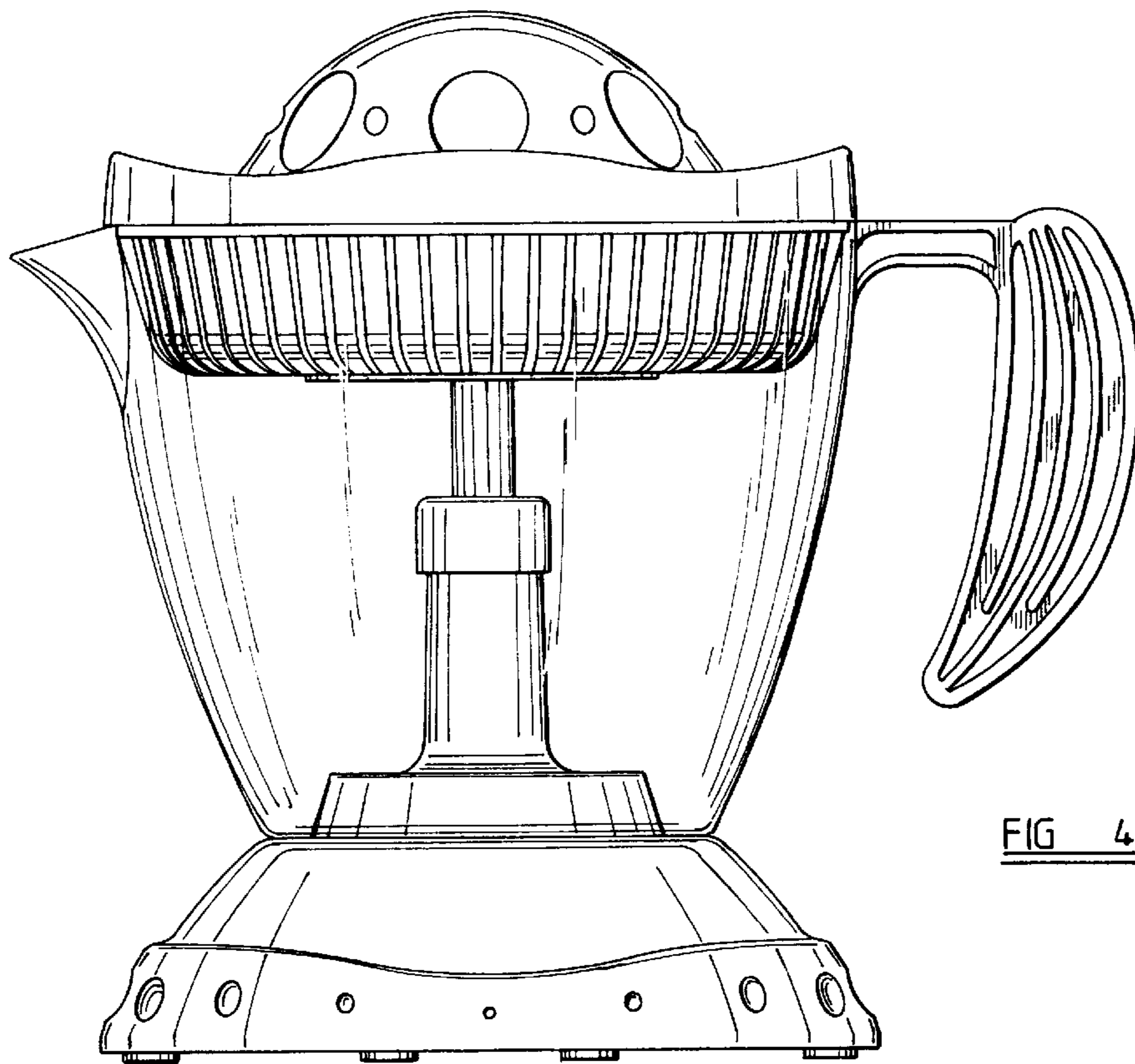


FIG 4

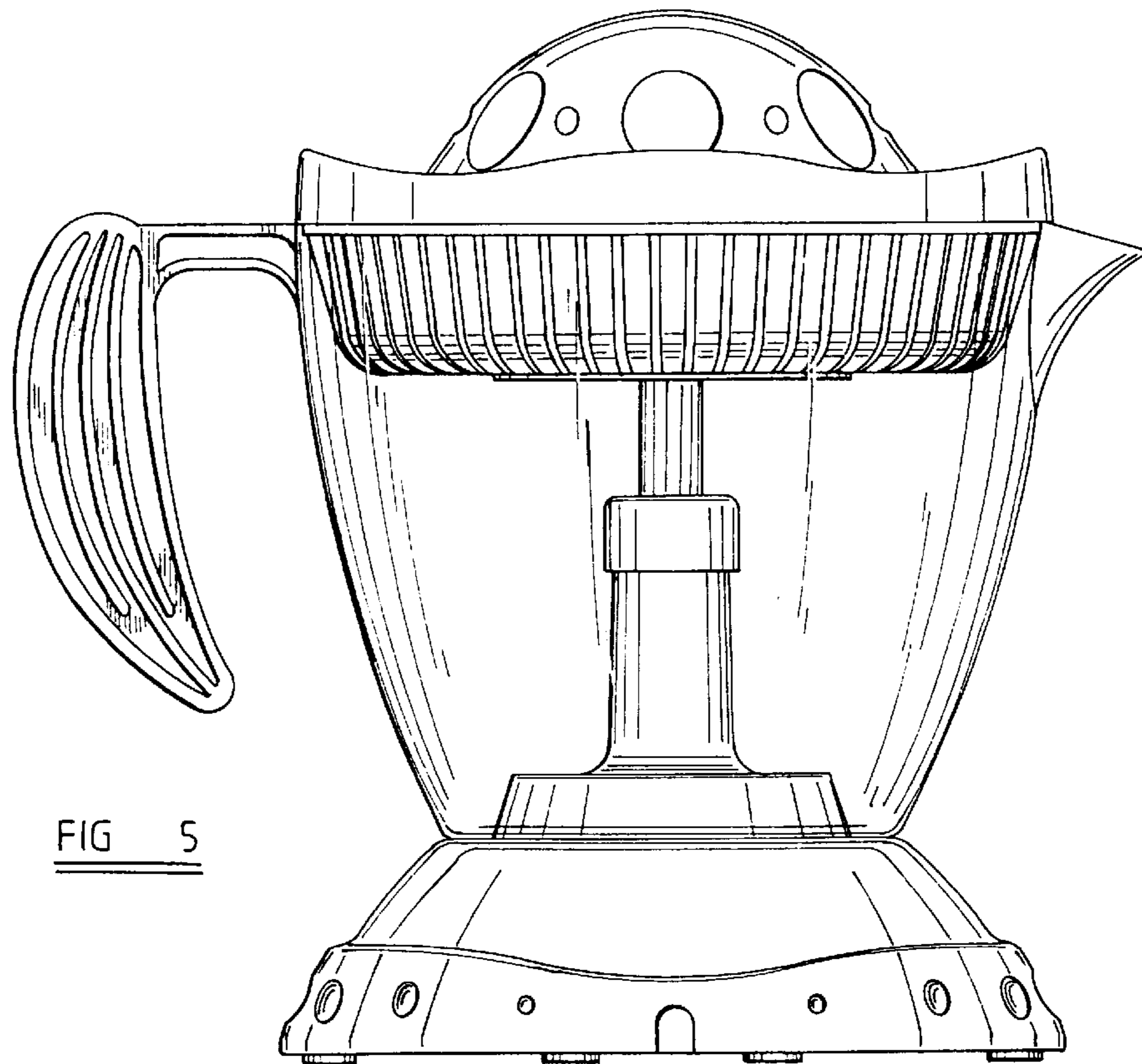


FIG 5

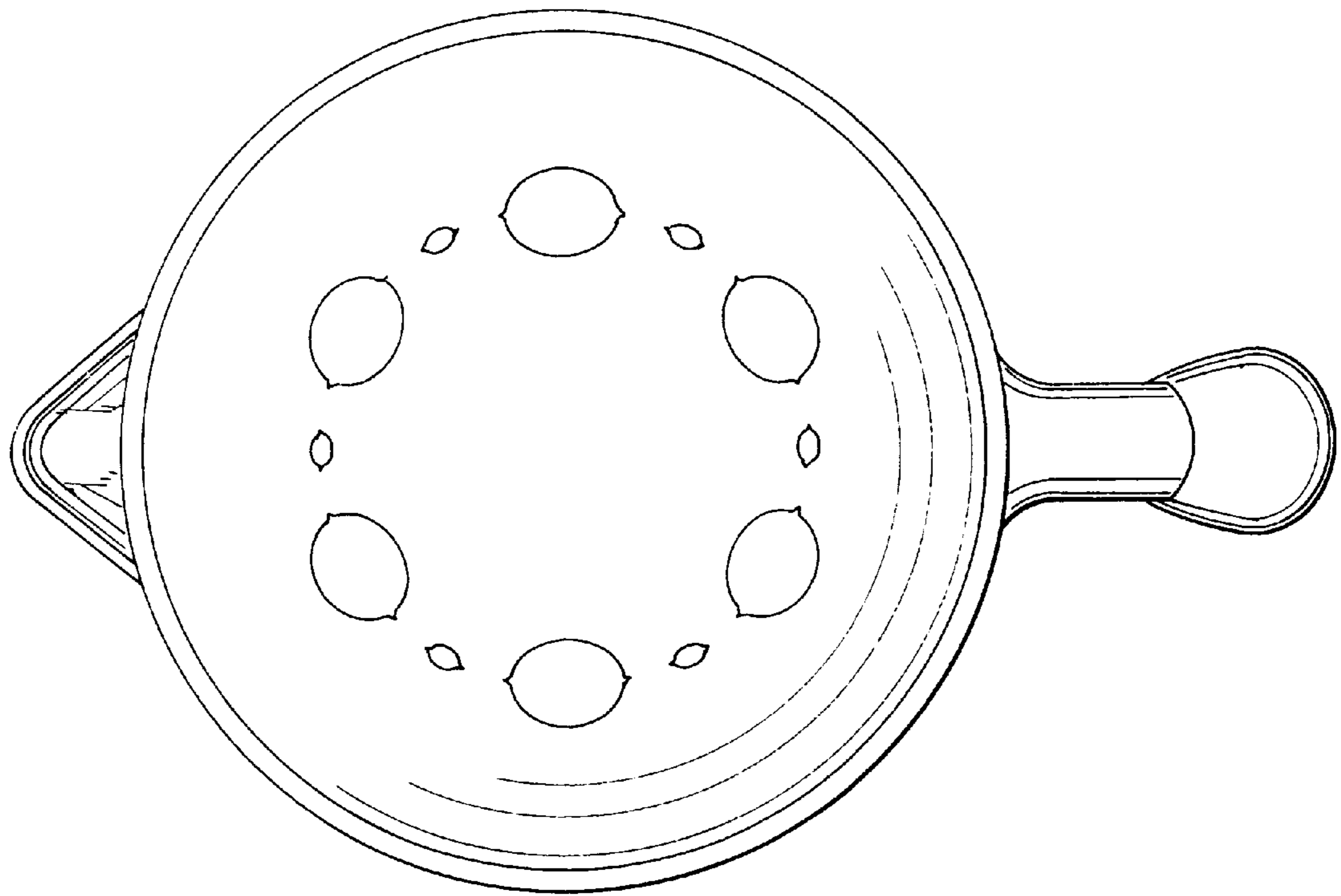


FIG 6

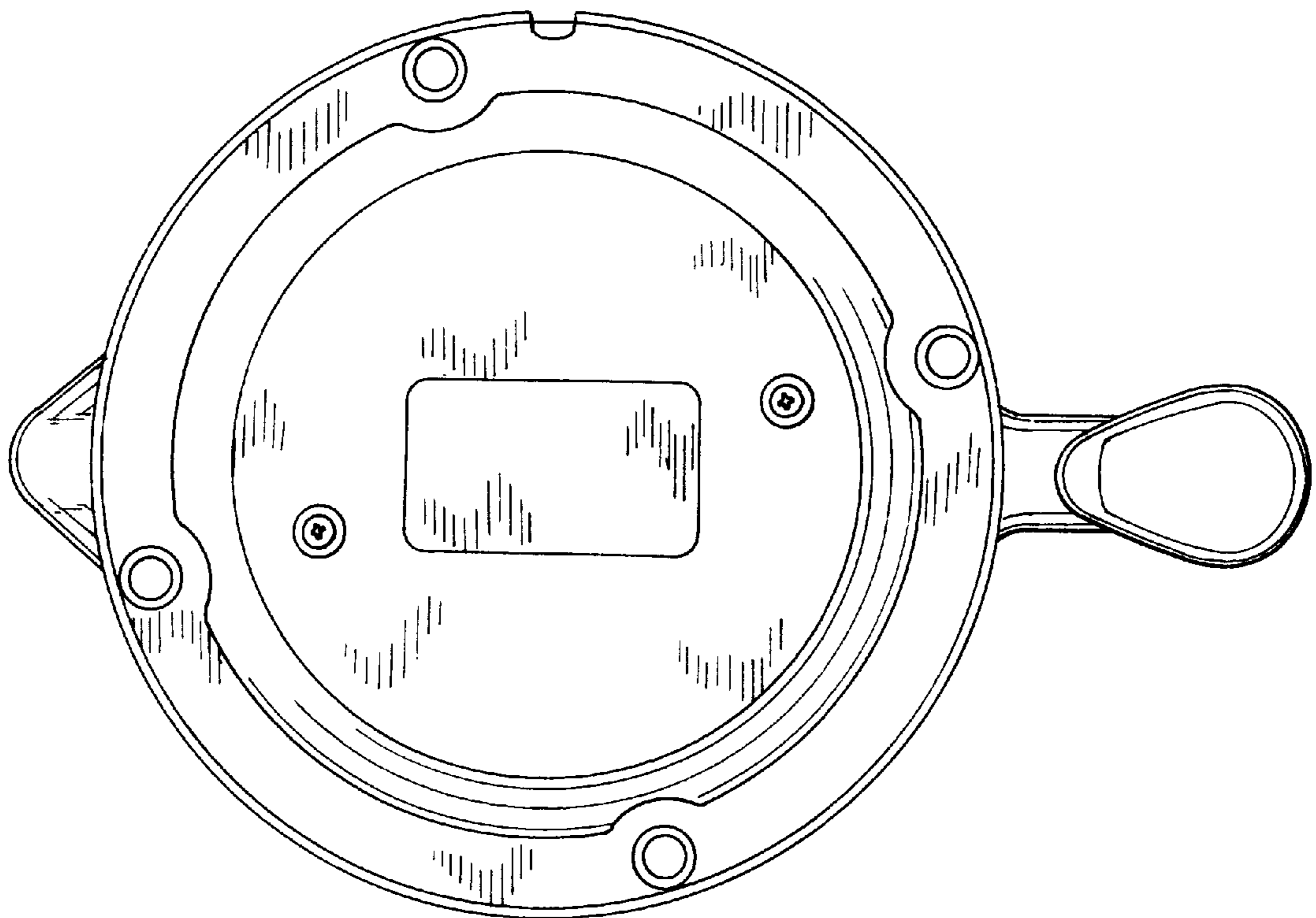


FIG 7

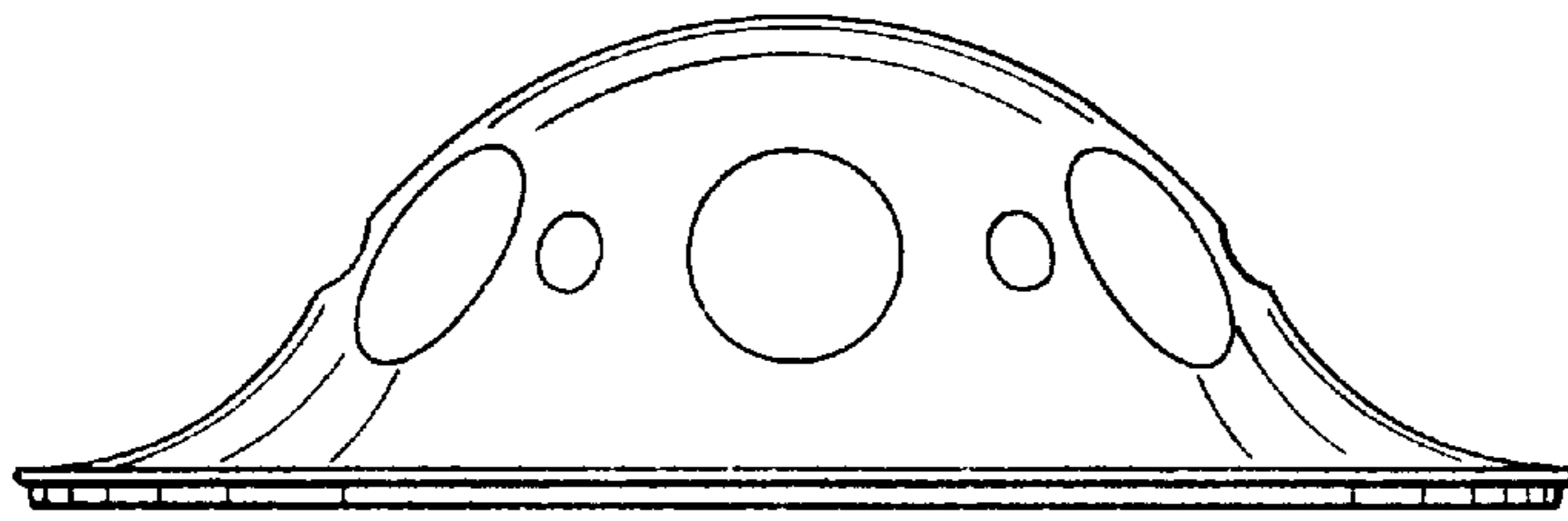


FIG 8

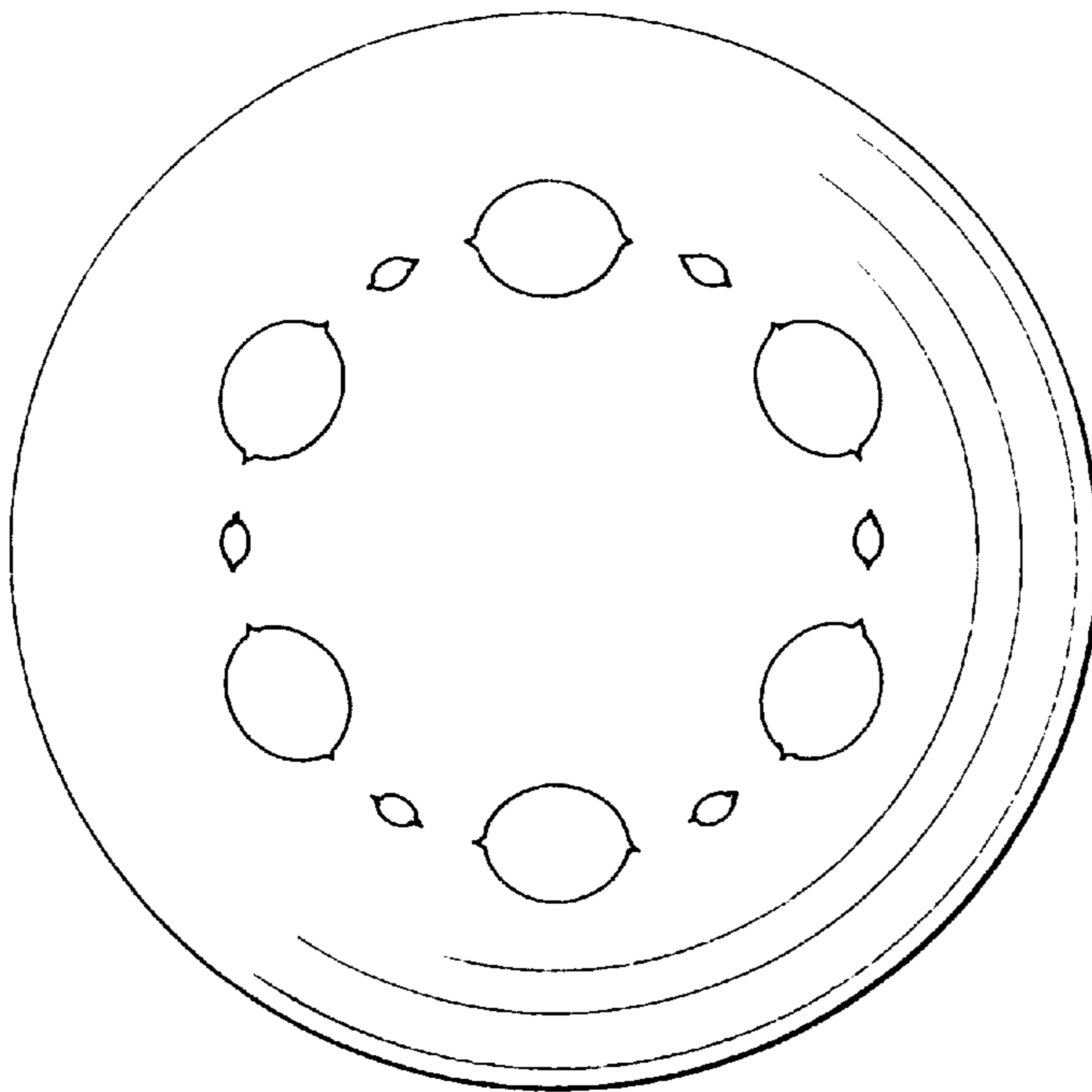


FIG 9

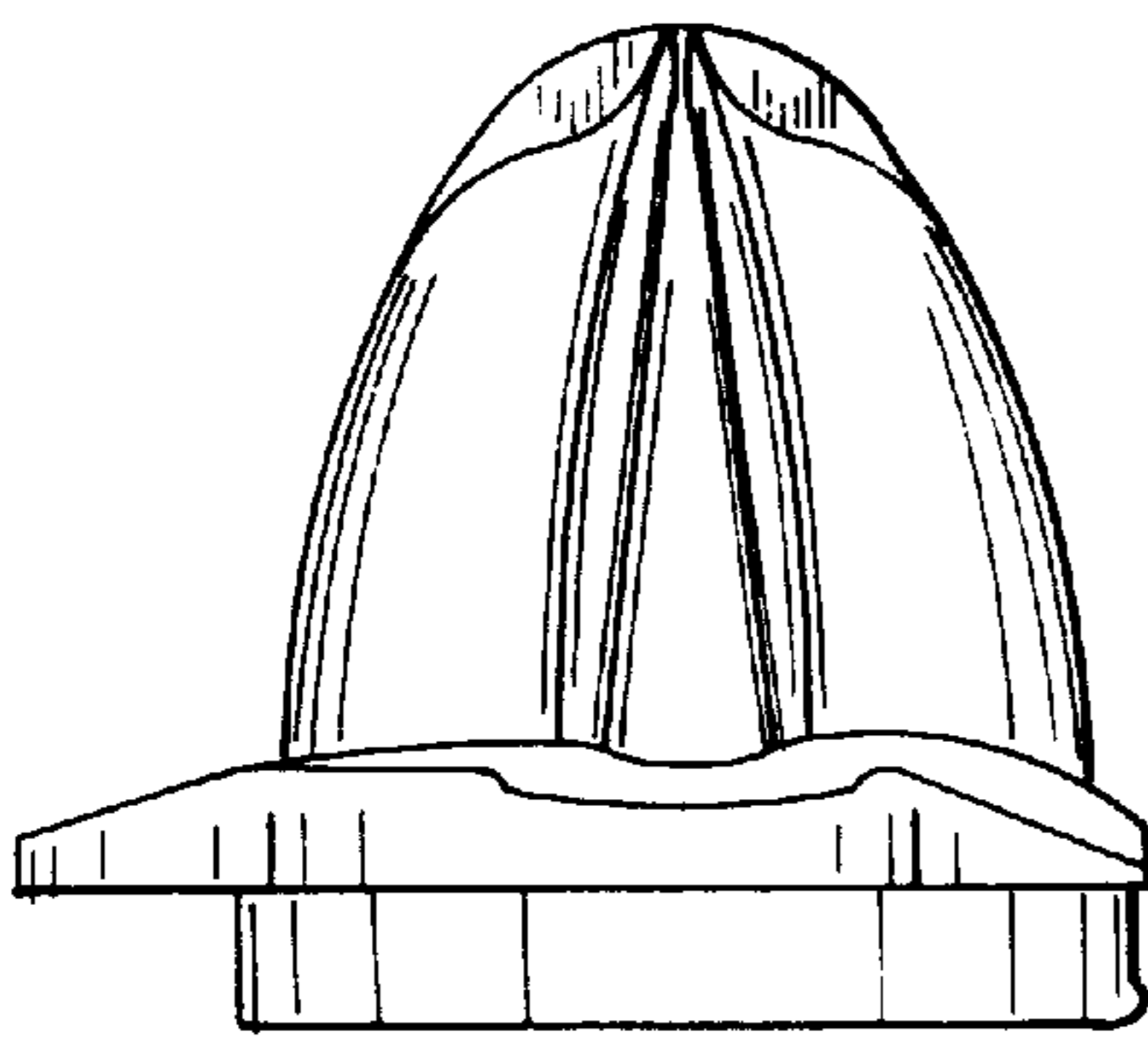


FIG 10

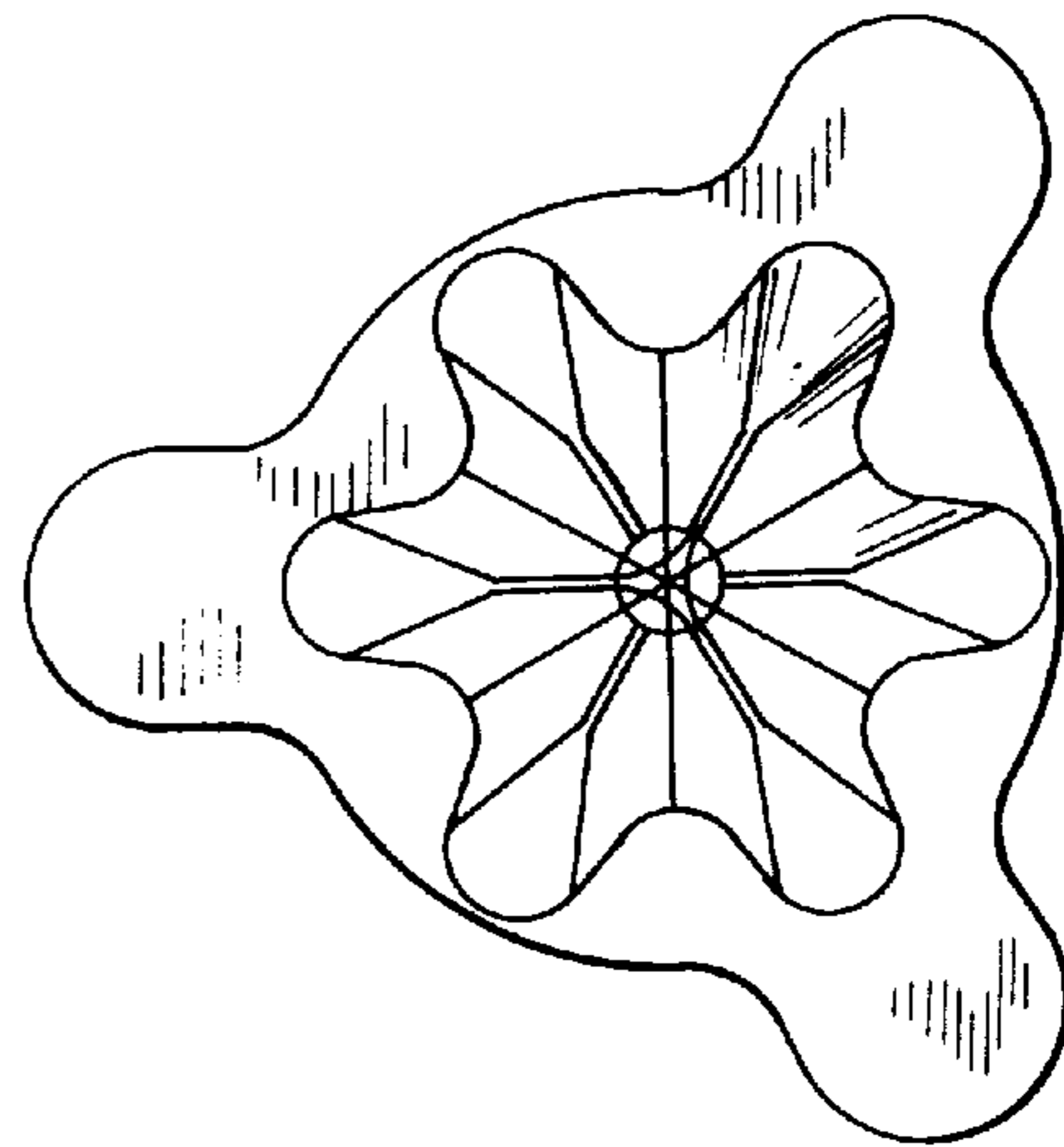


FIG 11

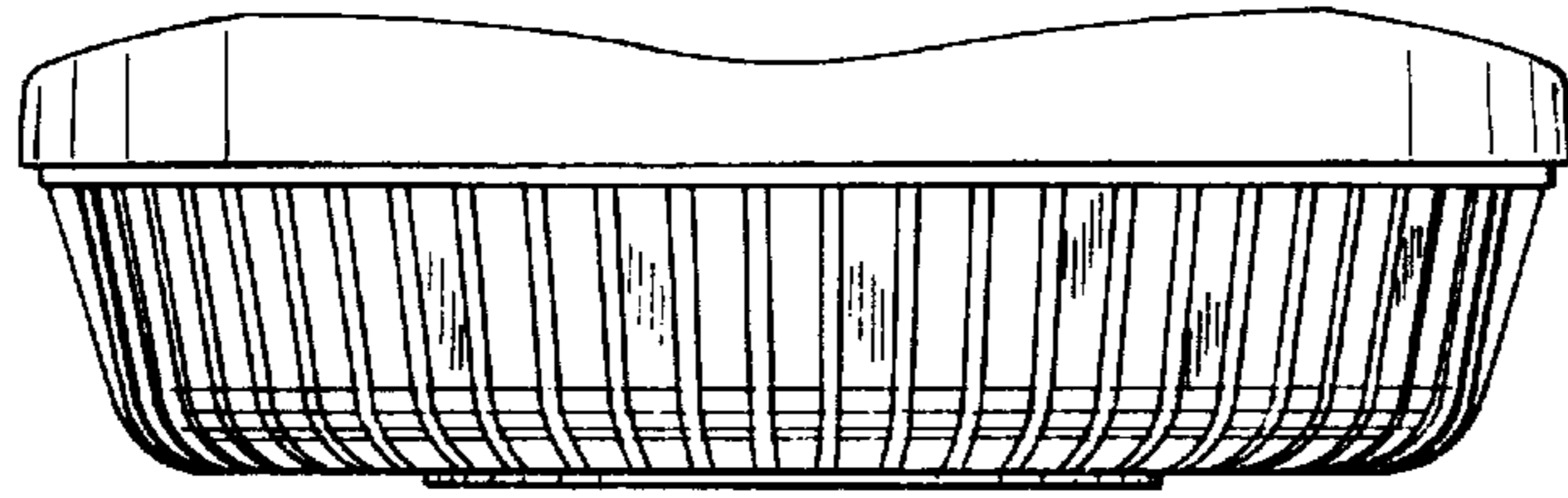


FIG 12

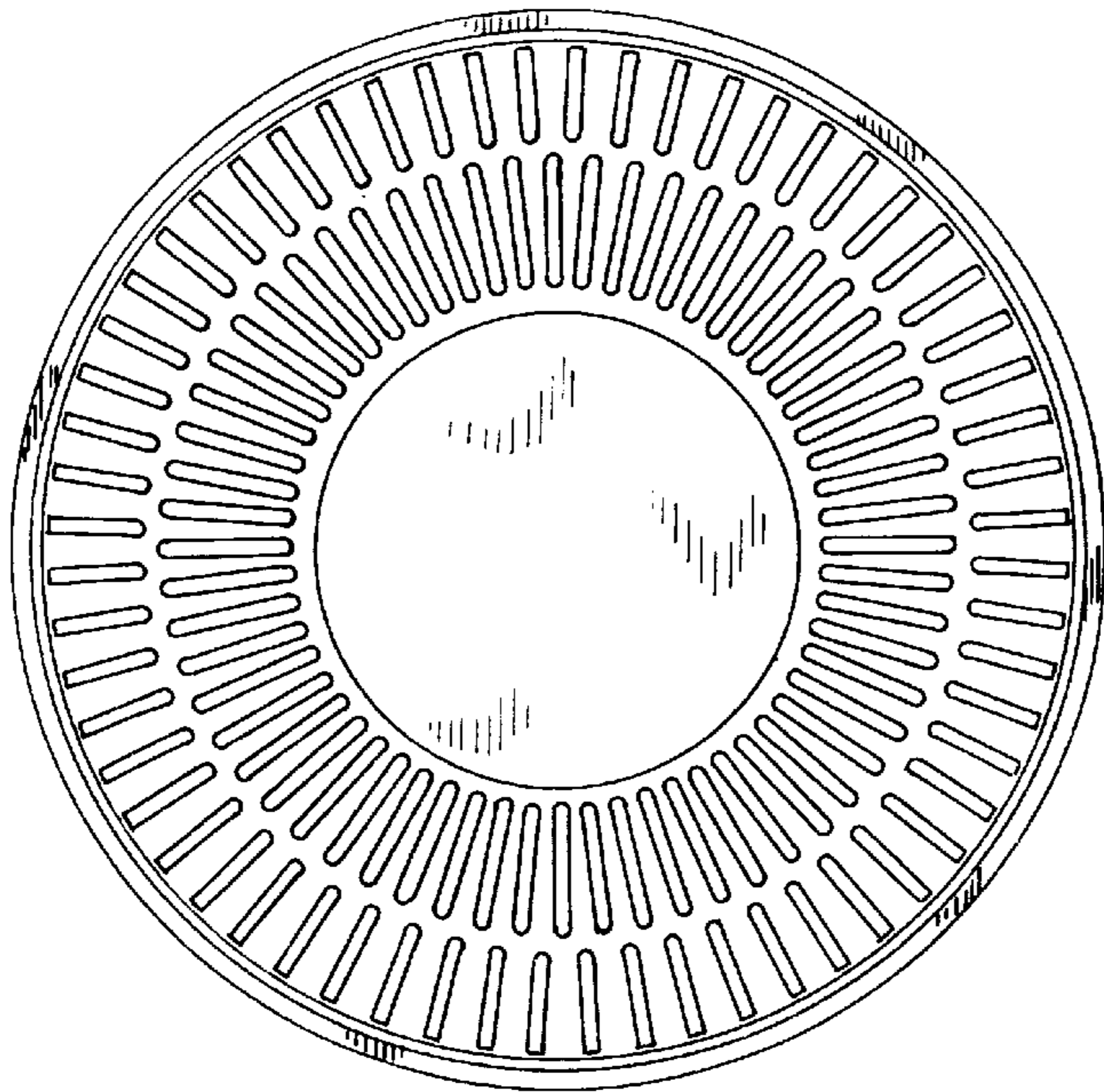


FIG 13

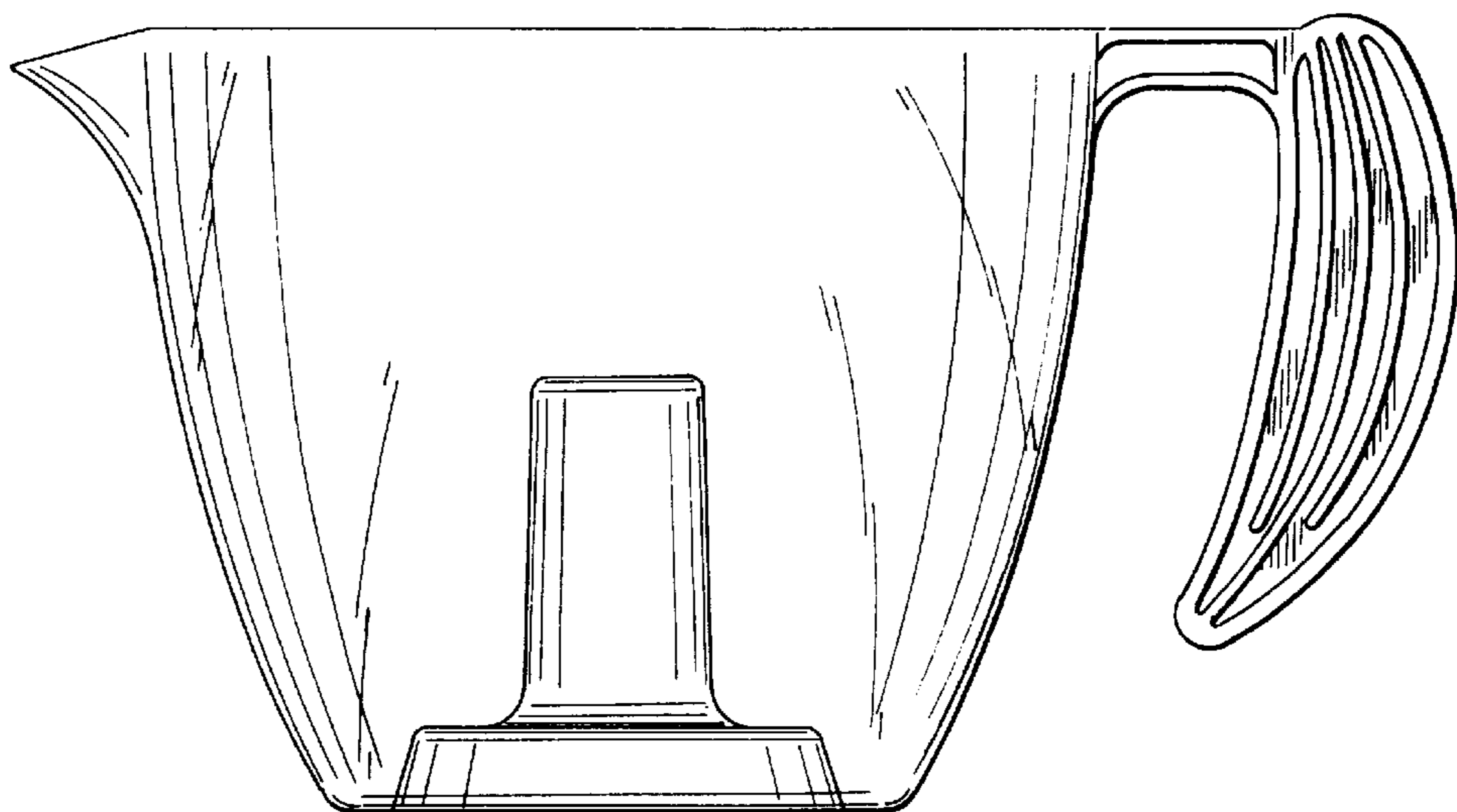


FIG 14

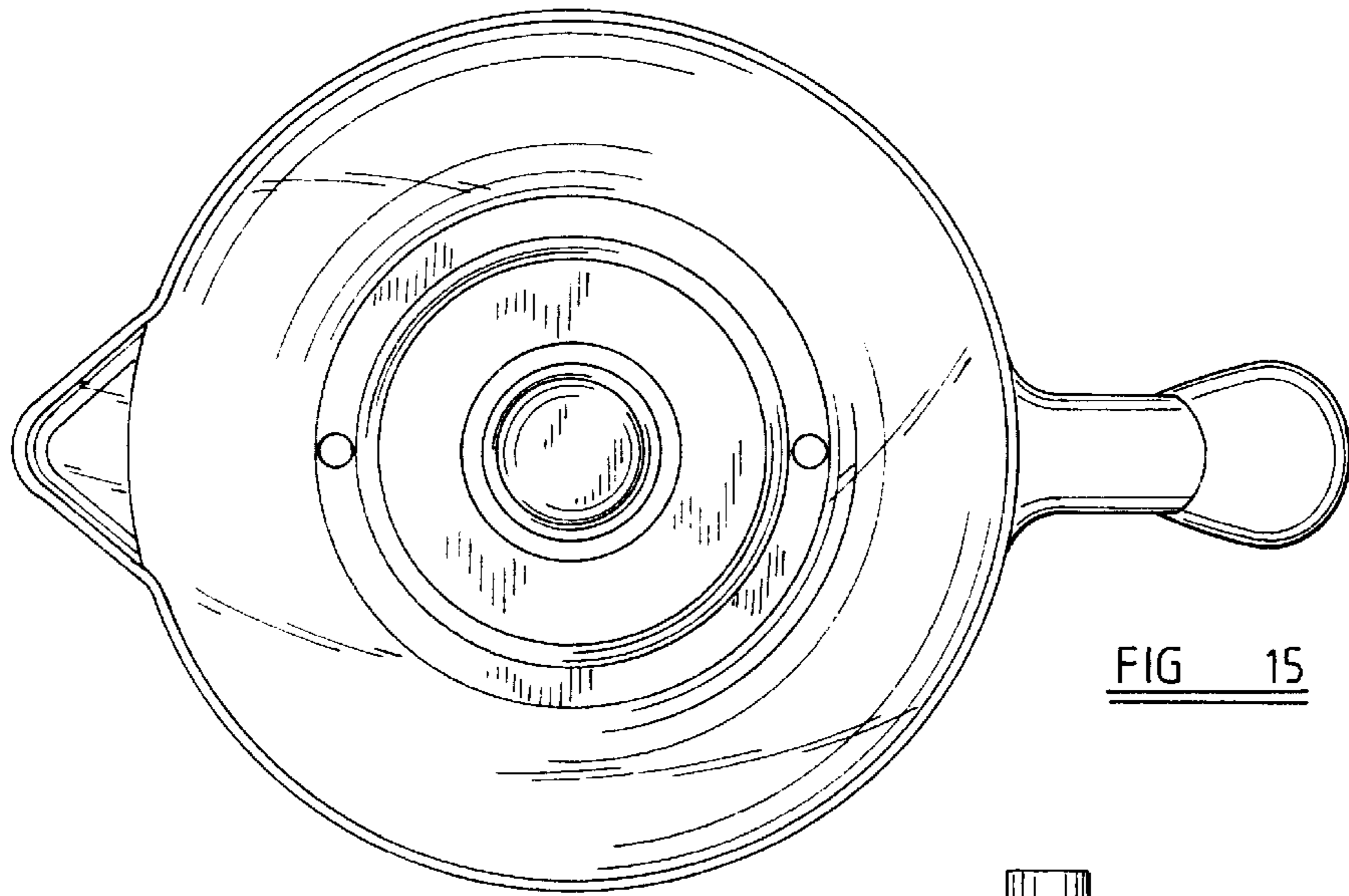


FIG 15

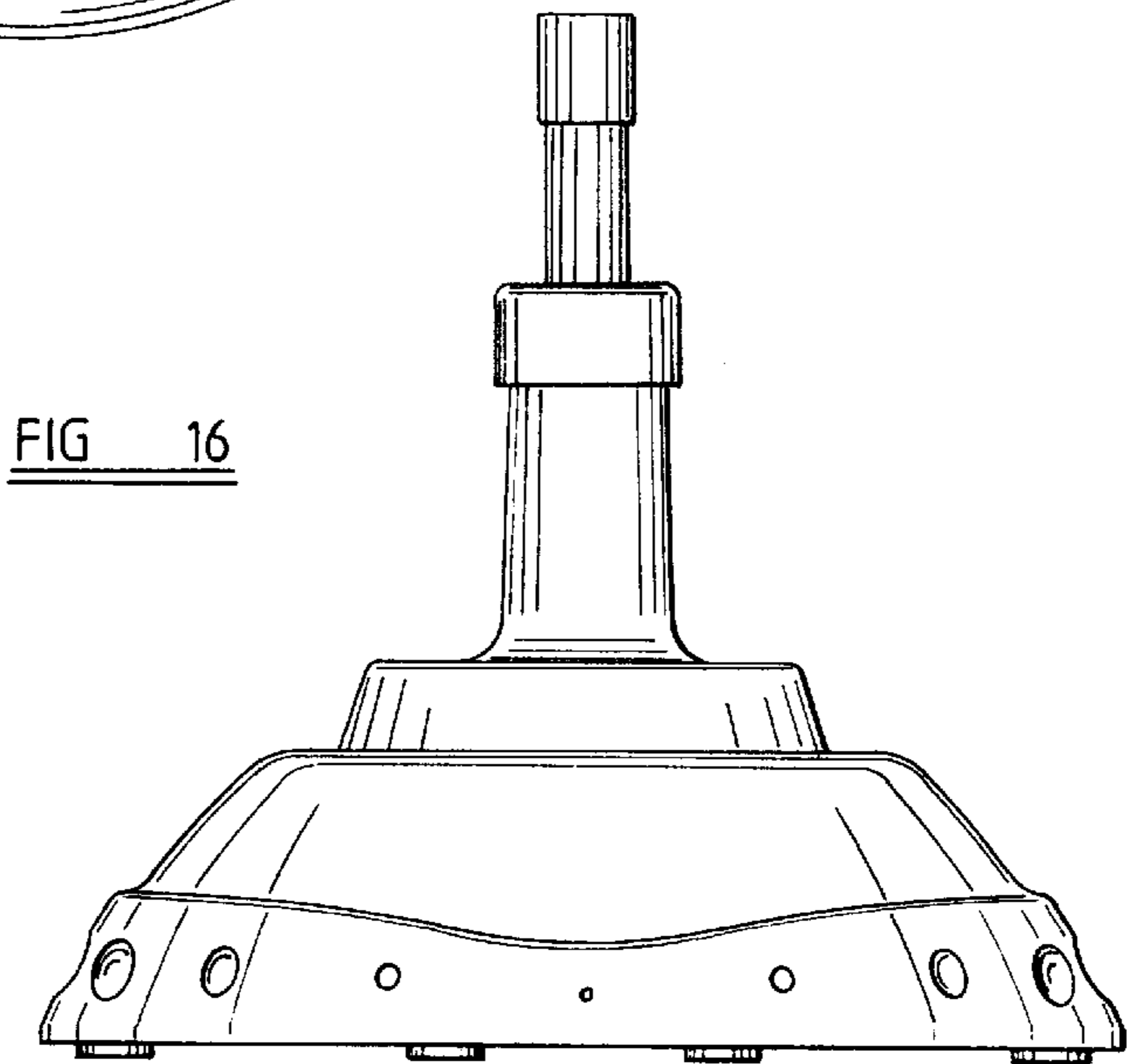


FIG 16

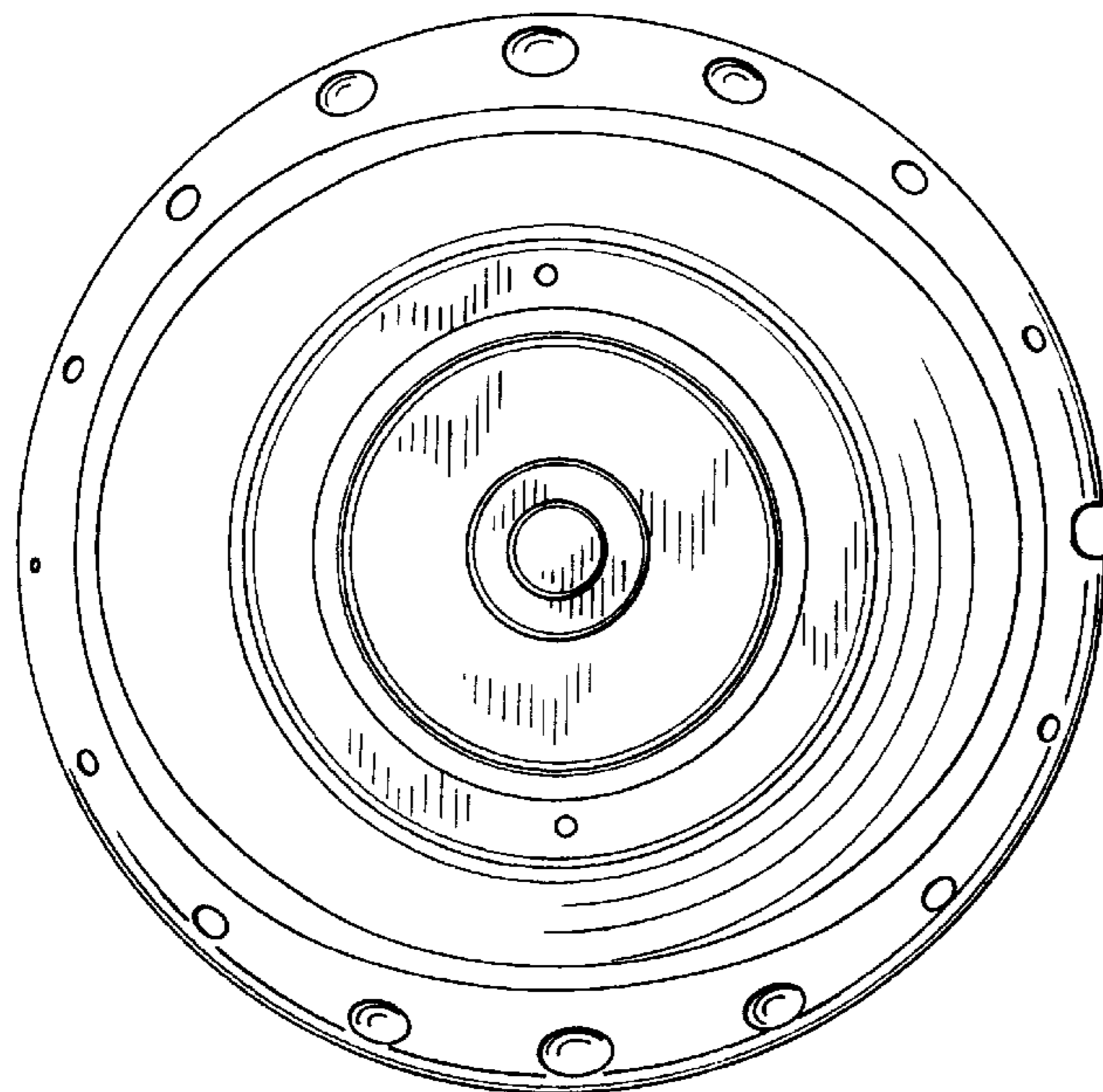


FIG 17