



US00D436500S

(12) **United States Design Patent**
Kearney

(10) **Patent No.:** **US D436,500 S**

(45) **Date of Patent:** **** Jan. 23, 2001**

(54) **FOOD SERVICE TRAY**

5,671,846 * 9/1997 Frank 206/541
5,818,016 * 10/1998 Lorence et al. 426/103 X

(76) Inventor: **Robert L. Kearney**, 4224 Edgeworth
Dr., Flowery Branch, GA (US) 30542

* cited by examiner

(**) Term: **14 Years**

Primary Examiner—Antoine Duval Davis
(74) *Attorney, Agent, or Firm*—Hinkle & Associates, P.C.

(21) Appl. No.: **29/119,056**

(57) **CLAIM**

(22) Filed: **Feb. 23, 2000**

The ornamental design for a food service tray, as shown.

(51) **LOC (7) Cl.** **07-01**

DESCRIPTION

(52) **U.S. Cl.** **D7/553.2**

(58) **Field of Search** D7/553.1–553.5,
D7/549; D9/341, 345, 347; 219/725; 220/556,
23.89, 575, 62.2, 501; 206/558, 556

FIG. 1 is a top perspective view of a food service tray
showing my new design;

FIG. 2 is a top plan view thereof;

FIG. 3 is a front elevation view thereof;

FIG. 4 is a right side elevation view thereof;

FIG. 5 is a rear elevation view thereof;

FIG. 6 is a bottom plan view thereof; and,

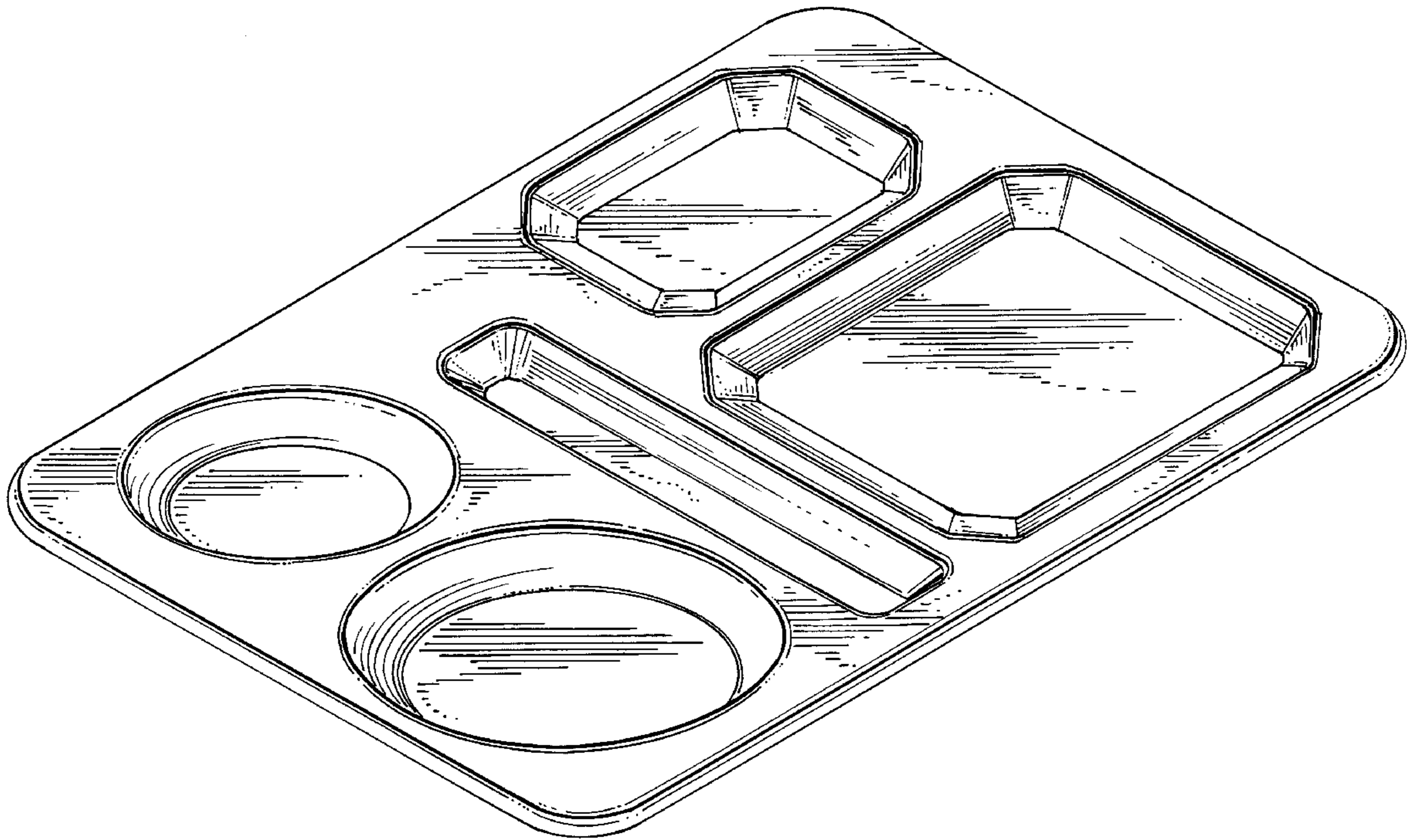
FIG. 7 is a left side elevation view thereof.

(56) **References Cited**

U.S. PATENT DOCUMENTS

- D. 292,768 11/1987 Kearney .
- D. 353,516 * 12/1994 Anderson D7/553.2
- D. 378,726 * 4/1997 Dunn D7/549

1 Claim, 3 Drawing Sheets



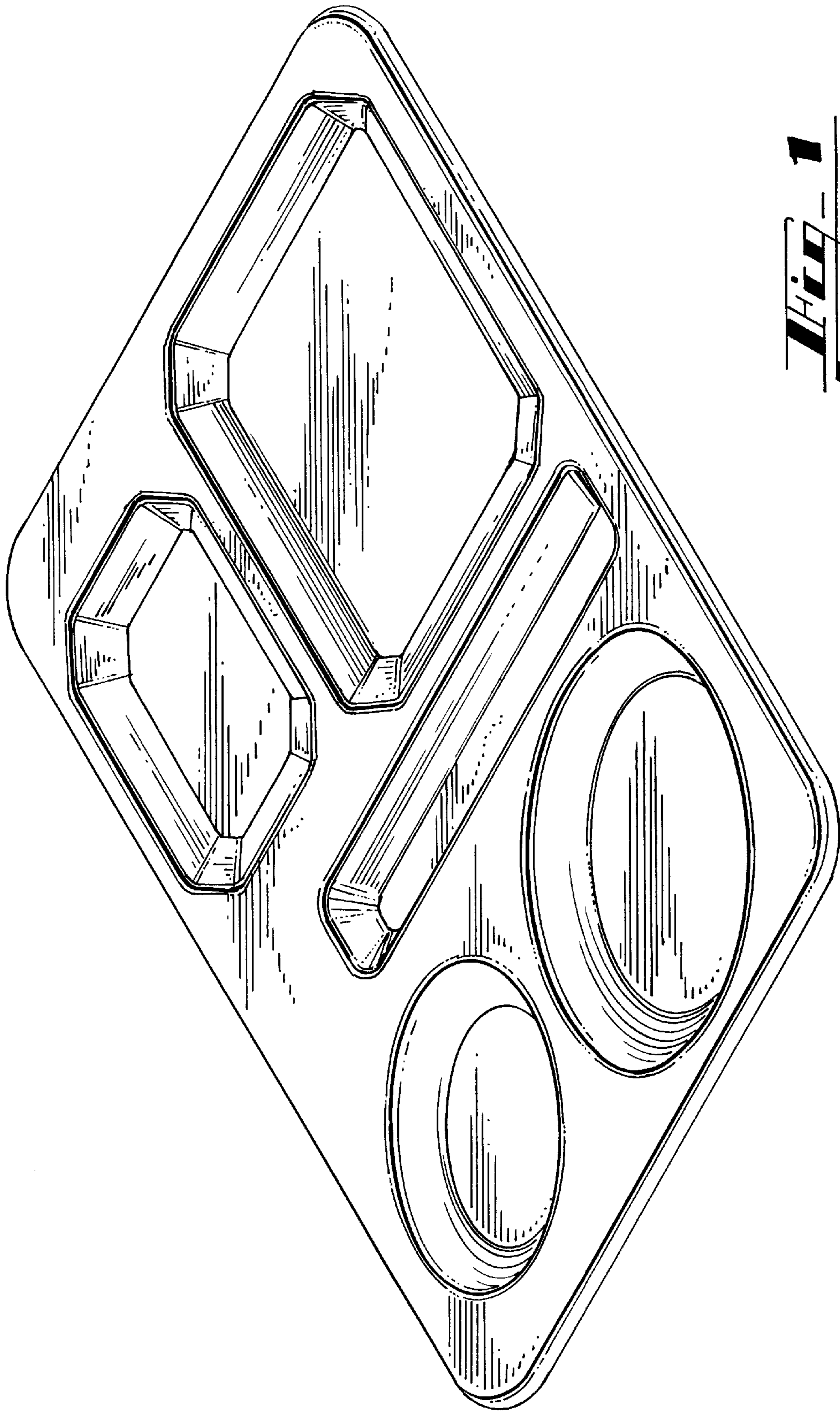


FIG. 1



Fig. 4

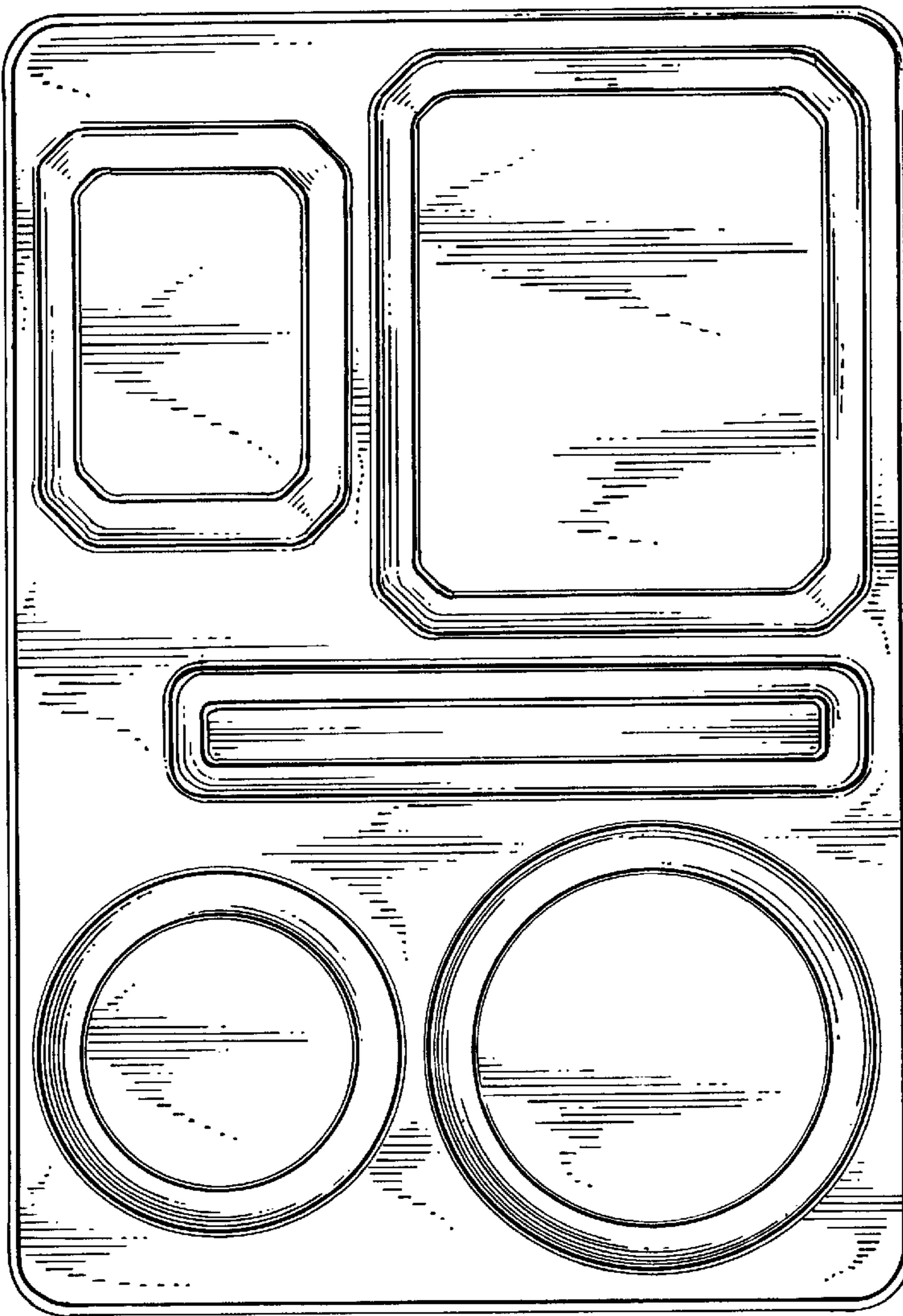


Fig. 2

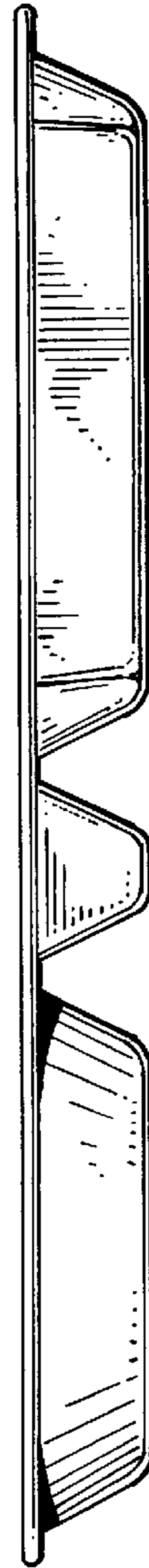


Fig. 3

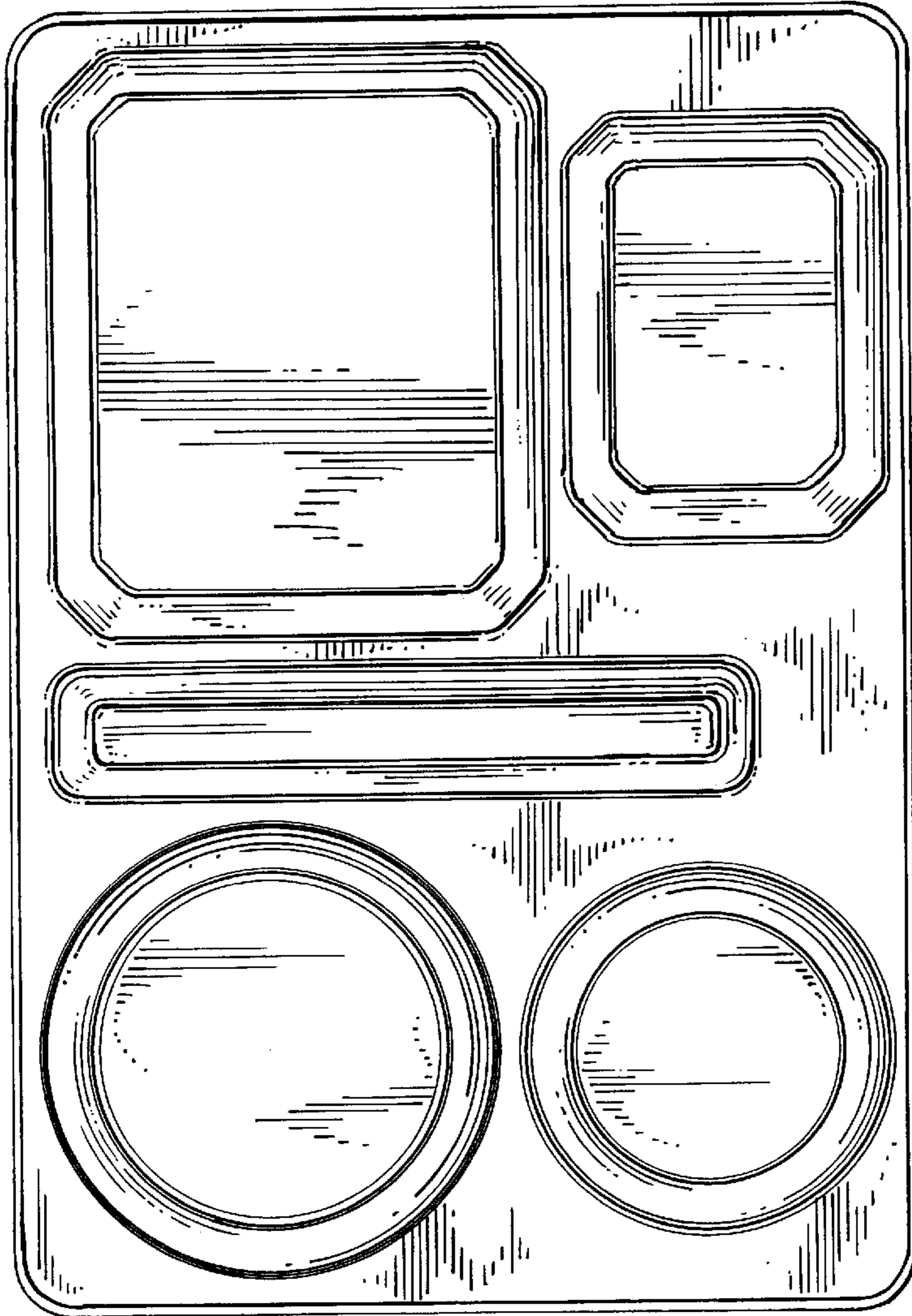


Fig. 6



Fig. 7



Fig. 5