



US00D436498S

(12) **United States Design Patent**
Carlson et al.

(10) **Patent No.: US D436,498 S**
(45) **Date of Patent: ** Jan. 23, 2001**

(54) **GREASE AND DEBRIS CATCHER
CONTAINER DESIGN FOR A BARBECUE
GRILL UPPER LID**

(75) Inventors: **Steven B. Carlson; Alan C. O'Neill,**
both of 6313 Bourbon Way, Las Vegas,
NV (US) 89107

(73) Assignees: **Steven B. Carlson; Alan C. O'Neill,**
both of Las Vegas, NV (US)

(**) Term: **14 Years**

(21) Appl. No.: **29/104,352**

(22) Filed: **May 3, 1999**

(51) **LOC (7) Cl. 07-02**

(52) **U.S. Cl. D7/402**

(58) **Field of Search** D7/331-338, 402-404,
D7/409, 362-365, 367; 99/340, 375, 419,
421 H, 422, 421 R, 424, 443 C-444, 446-447,
449, 450; 126/25 R, 25 A, 25 AA, 9 R,
38-39 R, 40, 41 R, 50; 426/523; 431/247

(56) **References Cited**

U.S. PATENT DOCUMENTS

D. 296,648	*	7/1988	Faaborg	D7/402
1,753,879		4/1930	Carter et al.	.	
1,950,385		3/1934	Burch	.	
2,180,868		11/1939	Dunning et al.	.	
2,230,728		2/1941	Propernick	.	
4,159,675		7/1979	Schwartz et al.	.	
4,909,137	*	3/1990	Brugnoli	99/444

4,936,202	*	6/1990	Lin	99/446
5,121,676	*	6/1992	Jurgens	99/340
5,237,914		8/1993	Carstensen	.	
5,400,703	*	3/1995	Ashcom et al.	99/446
5,467,696	*	11/1995	Everhart	99/425
5,546,852	*	8/1996	Bidwell	99/446
5,566,606		10/1996	Johnston	.	
5,606,905	*	3/1997	Boehm et al.	99/375
5,653,159	*	8/1997	Quemin et al.	99/340

* cited by examiner

Primary Examiner—Ruth McInroy

(57) **CLAIM**

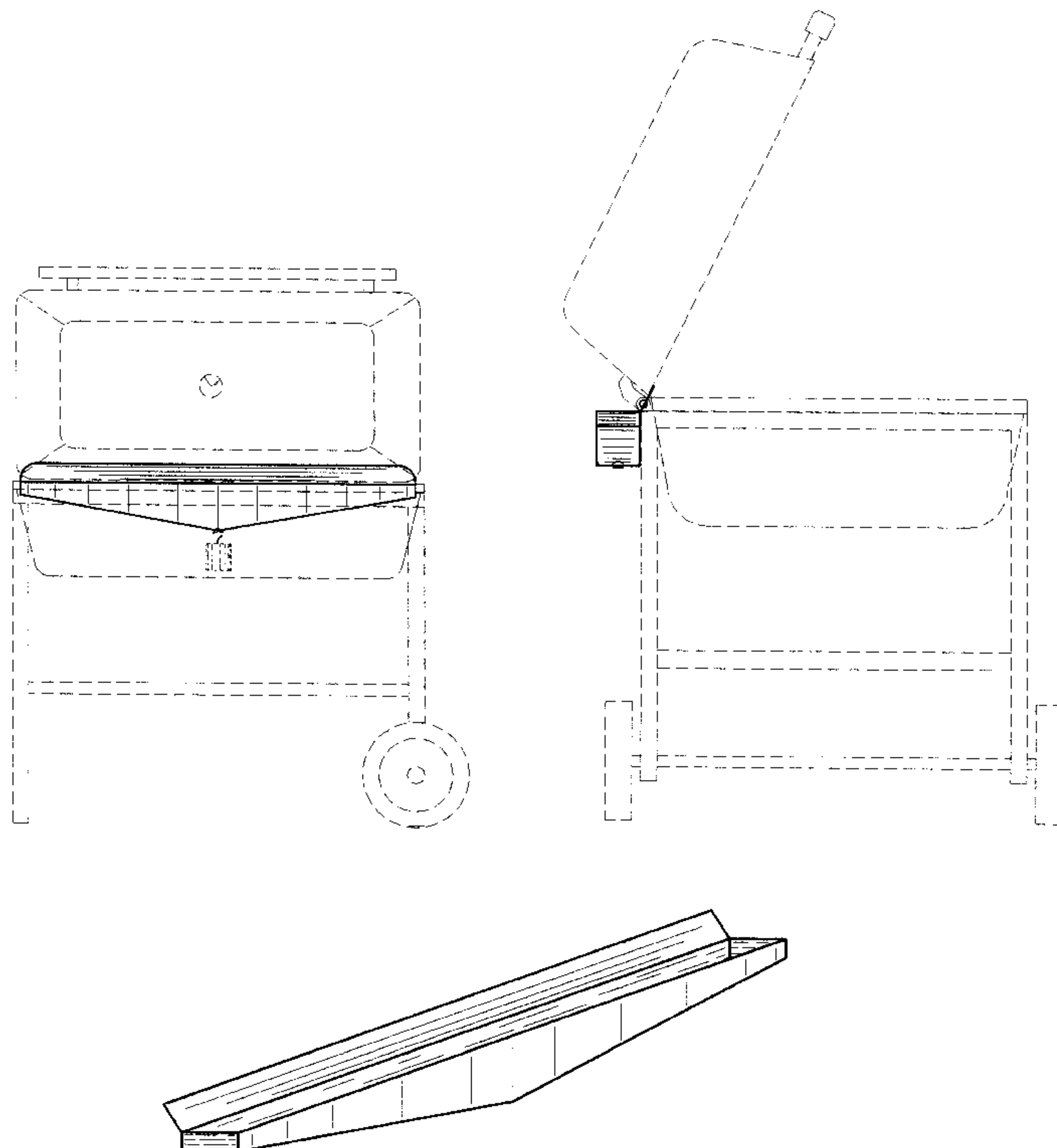
The ornamental design for a grease and debris catcher container design for a barbecue grill upper lid, as shown and described.

DESCRIPTION

FIG. 1 is a front elevational view of a grease and debris catcher container for a barbecue grill upper lid showing our new design;
FIG. 2 is a left side elevational view thereof;
FIG. 3 is a front elevational view thereof;
FIG. 4 is a top plan view thereof;
FIG. 5 is a bottom plan view thereof;
FIG. 6 is a left side elevational view thereof;
FIG. 7 is a right side elevational view thereof; and,
FIG. 8 is a perspective view thereof.

The details shown in broken lines in FIGS. 1 and 2 are for illustrative purposes only and form no part of the claimed design.

1 Claim, 2 Drawing Sheets



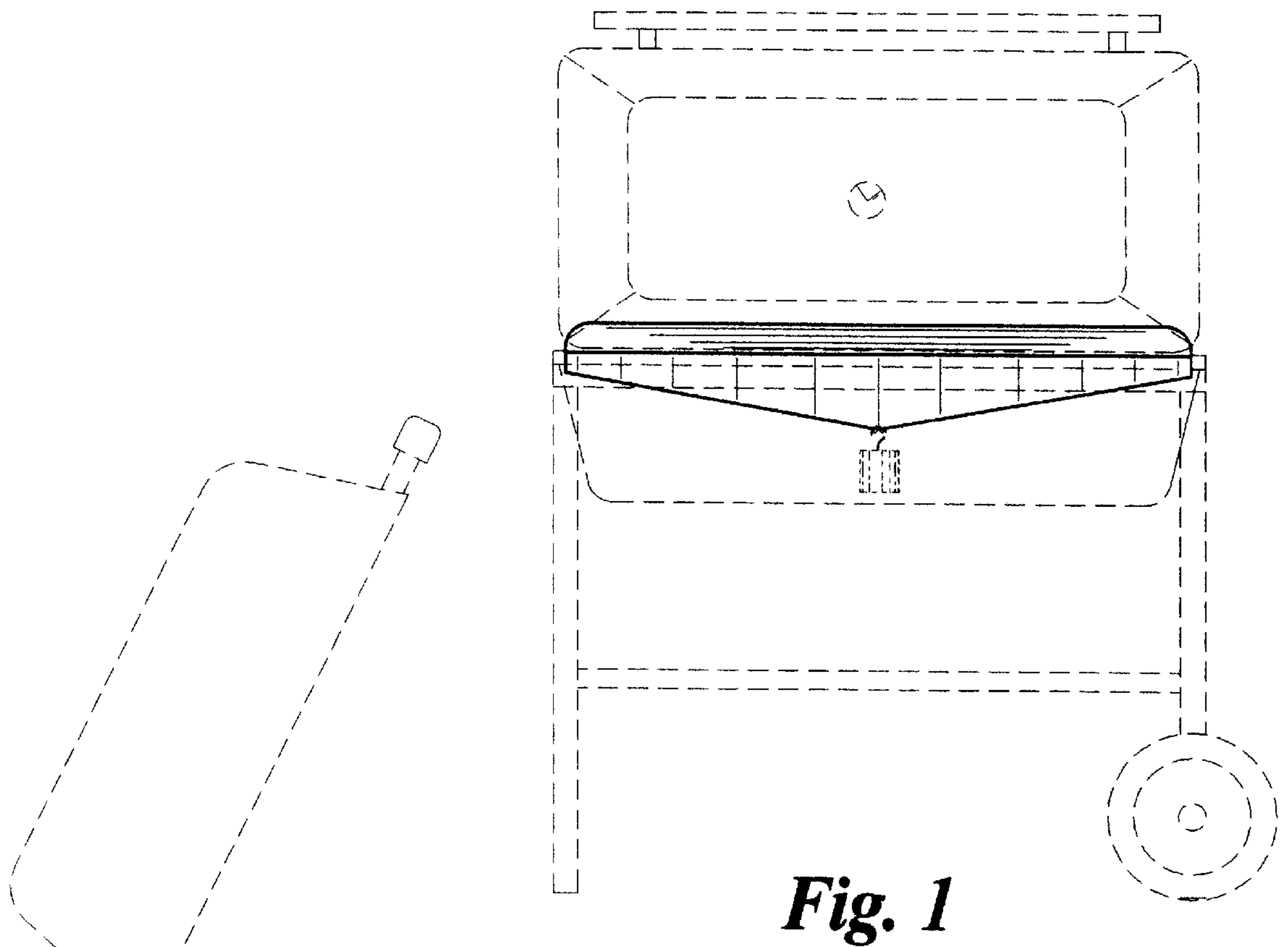


Fig. 1

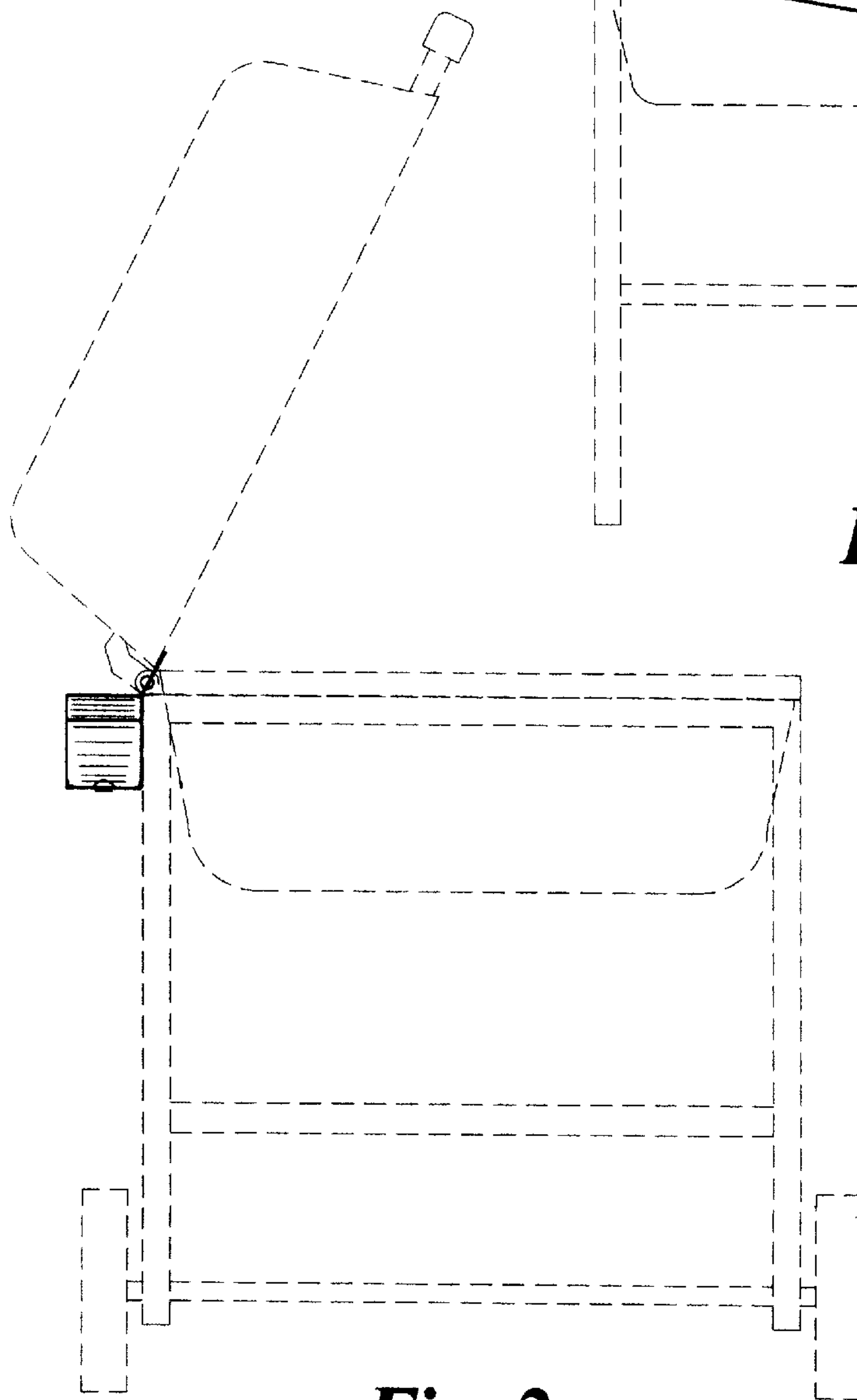


Fig. 2

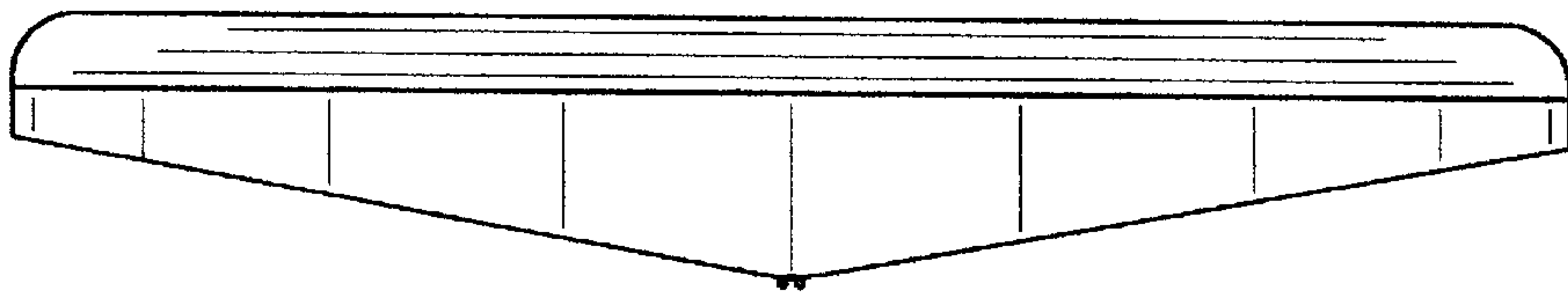


Fig. 3

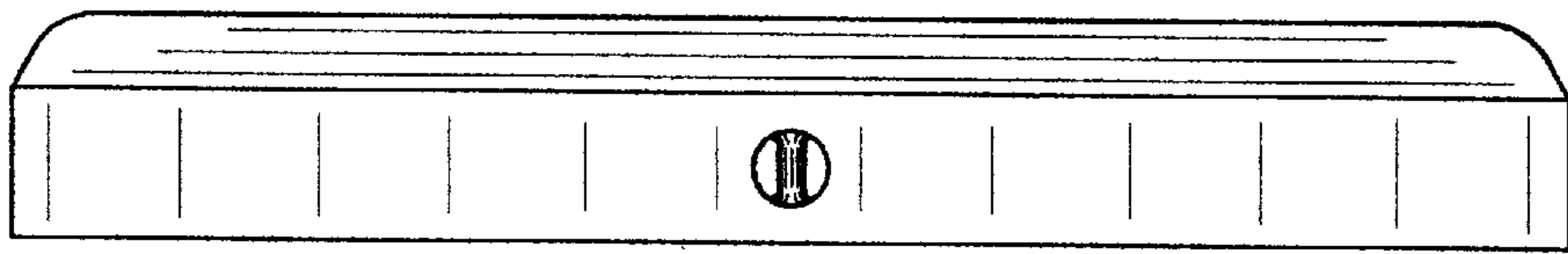


Fig. 4



Fig. 5



Fig. 6



Fig. 7

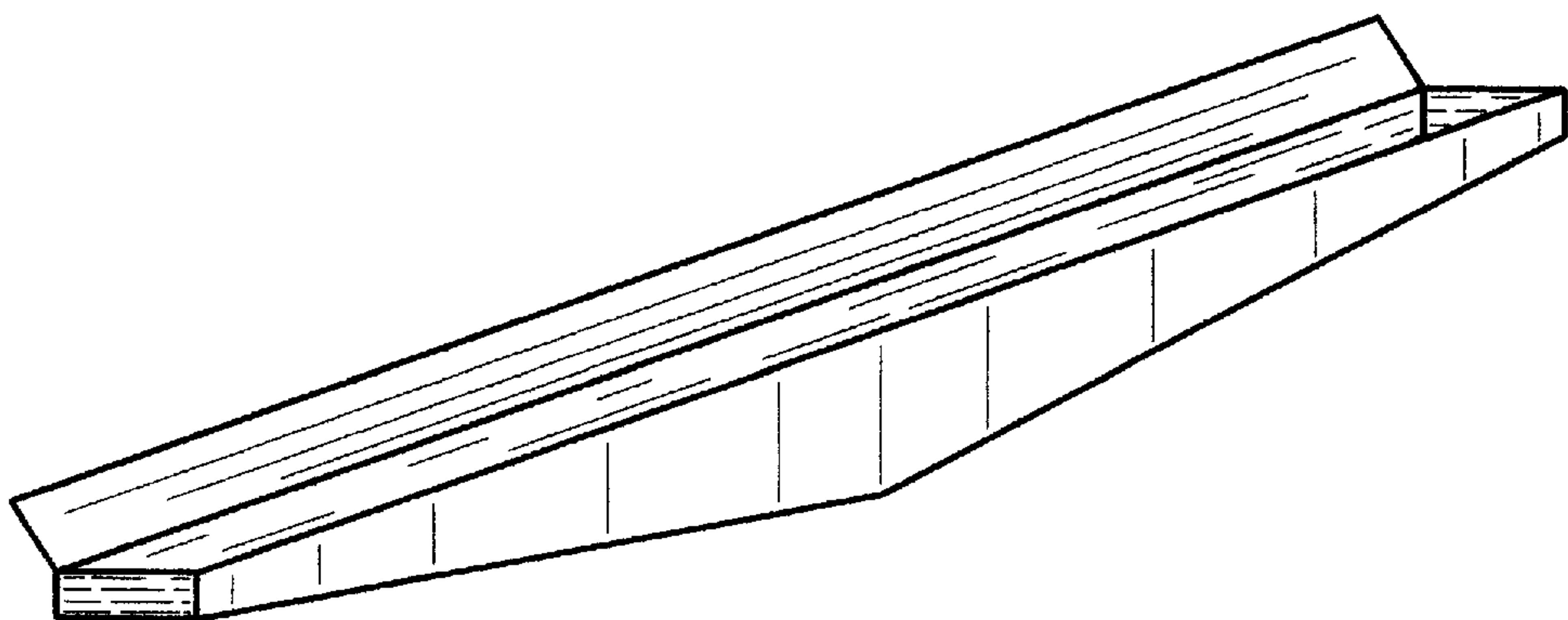


Fig. 8