



US00D436497S

(12) **United States Design Patent**
Nalbandian

(10) **Patent No.:** **US D436,497 S**

(45) **Date of Patent:** **** Jan. 23, 2001**

(54) **STAND MIXER**

(75) **Inventor:** **Saro Nalbandian**, Chicago, IL (US)

(73) **Assignee:** **Sunbeam Products, Inc.**, Boca Raton, FL (US)

(**) **Term:** **14 Years**

(21) **Appl. No.:** **29/116,972**

(22) **Filed:** **Jan. 13, 2000**

(51) **LOC (7) Cl.** **31-00**

(52) **U.S. Cl.** **D7/379**

(58) **Field of Search** D7/376-386; 241/24.26, 241/37.5; 366/200, 282.1, 282.2, 37.5, 92, 93

(56) **References Cited**

U.S. PATENT DOCUMENTS

D. 286,258 * 10/1986 Grange D7/379

D. 416,752 * 11/1999 Leverrier D7/379

* cited by examiner

Primary Examiner—Caron D. Veynar

(74) *Attorney, Agent, or Firm*—Kramer, Levin, Naftalis & Frankel LLP

(57) **CLAIM**

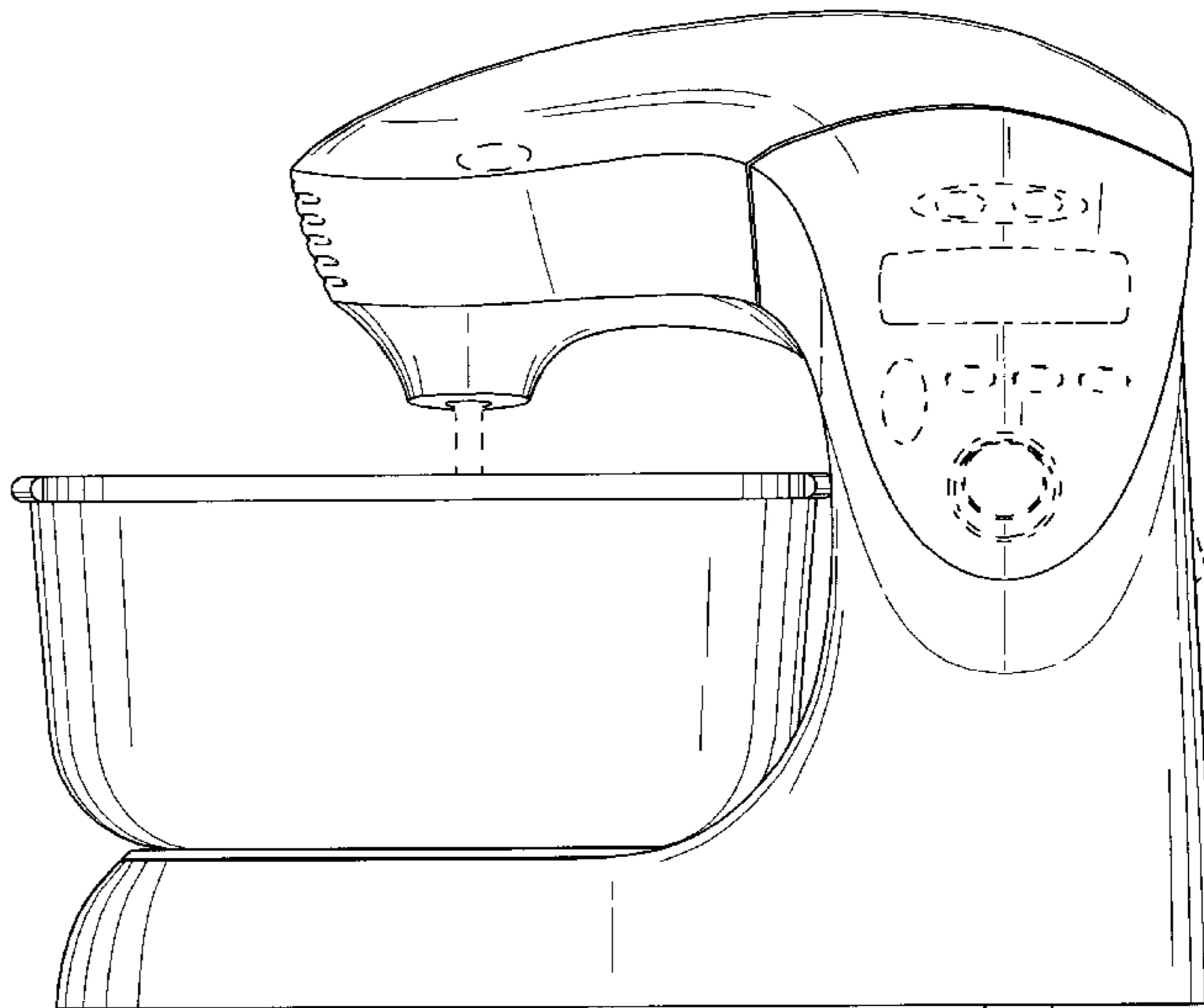
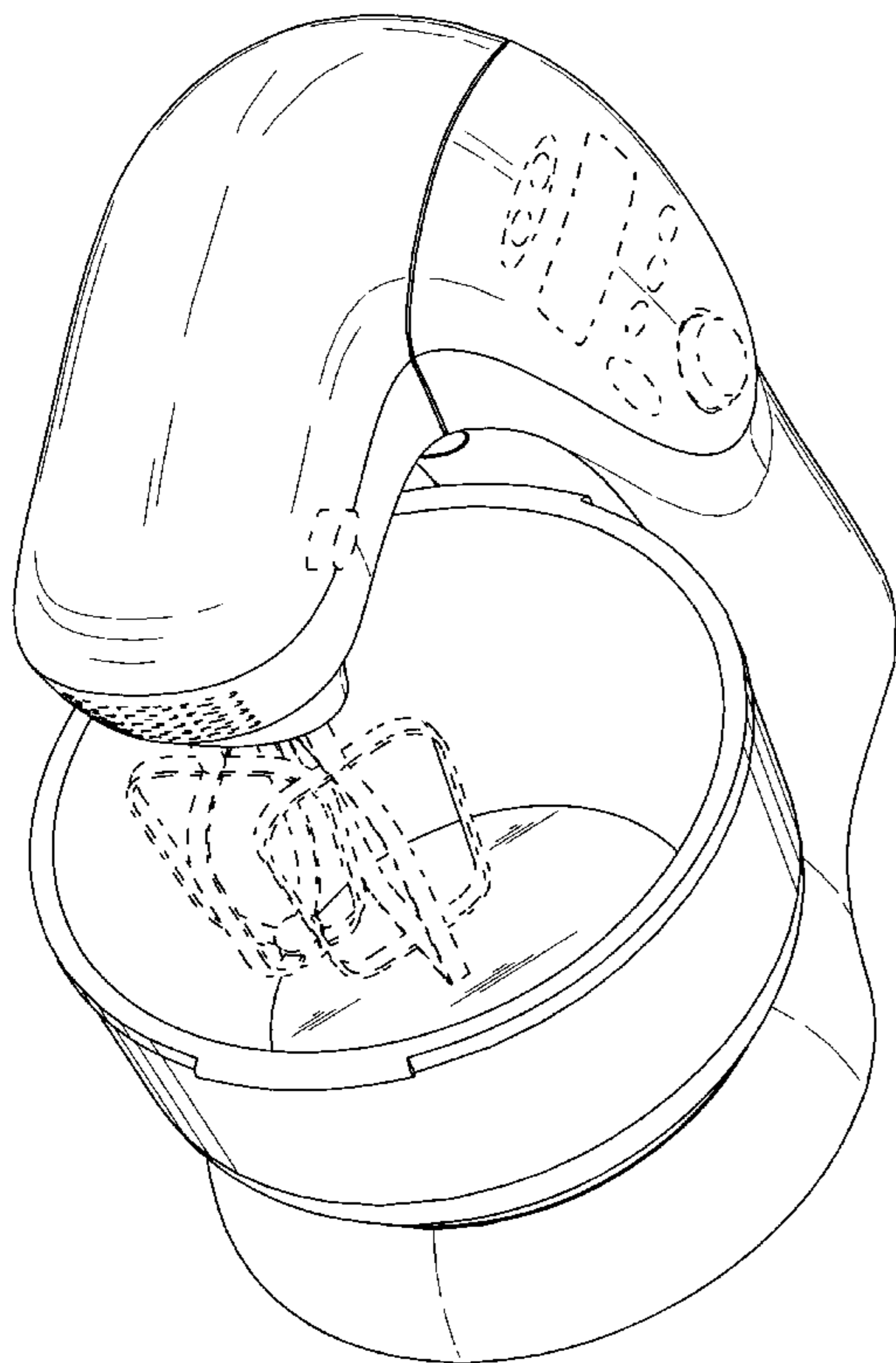
The ornamental design for a stand mixer, as shown and described.

DESCRIPTION

FIG. 1 is a front perspective view showing the new design; FIG. 2 is a side elevation view thereof; FIG. 3 is a side elevation view of an opposite side thereof; FIG. 4 is a front elevation view thereof; FIG. 5 is a rear elevation view thereof; FIG. 6 is a top plan view thereof; and, FIG. 7 is a bottom plan view thereof.

The broken line showings in FIGS. 1-7 are for illustrative purposes only and form no part of the claimed design.

1 Claim, 7 Drawing Sheets



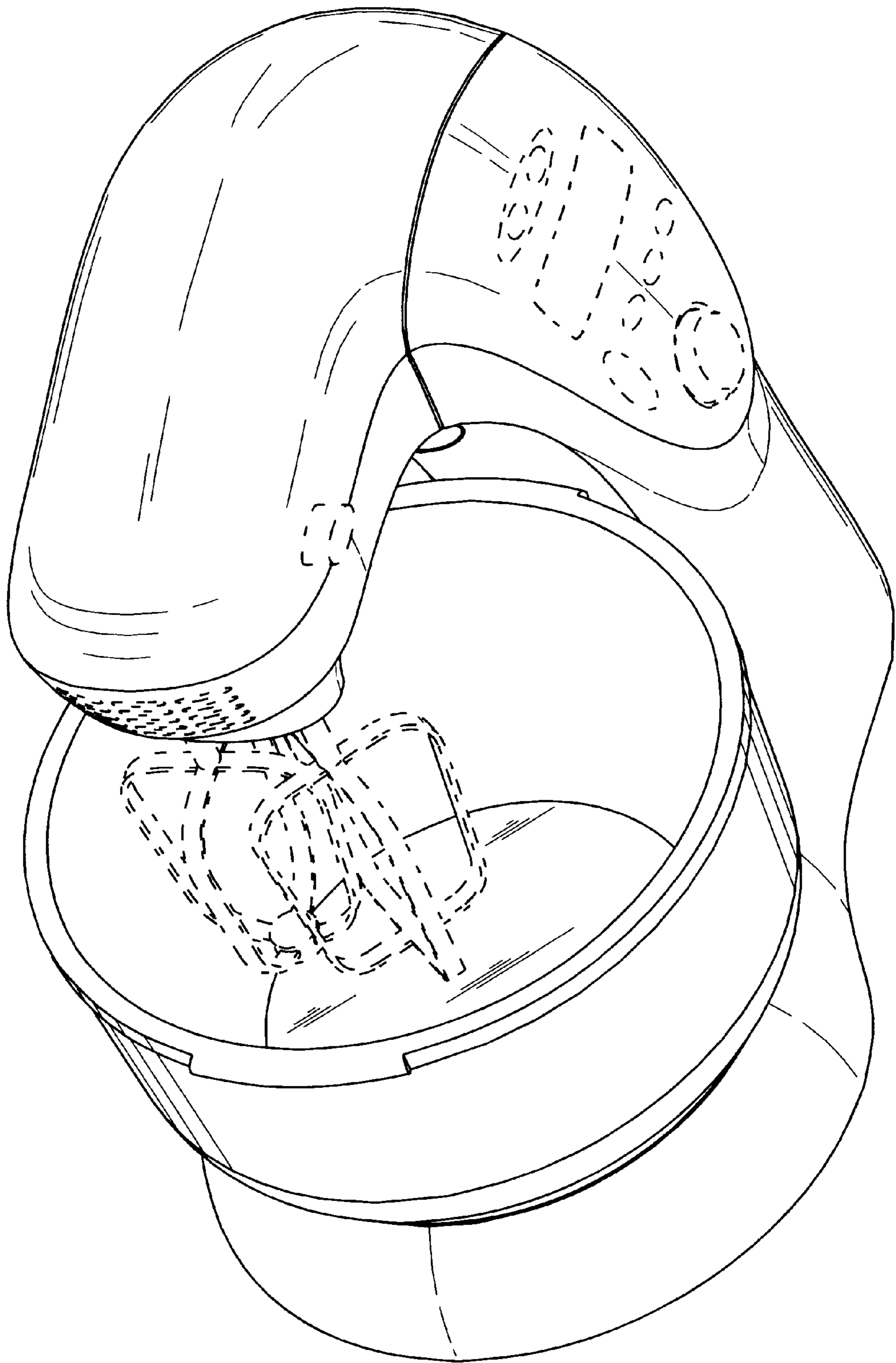


FIG. 1

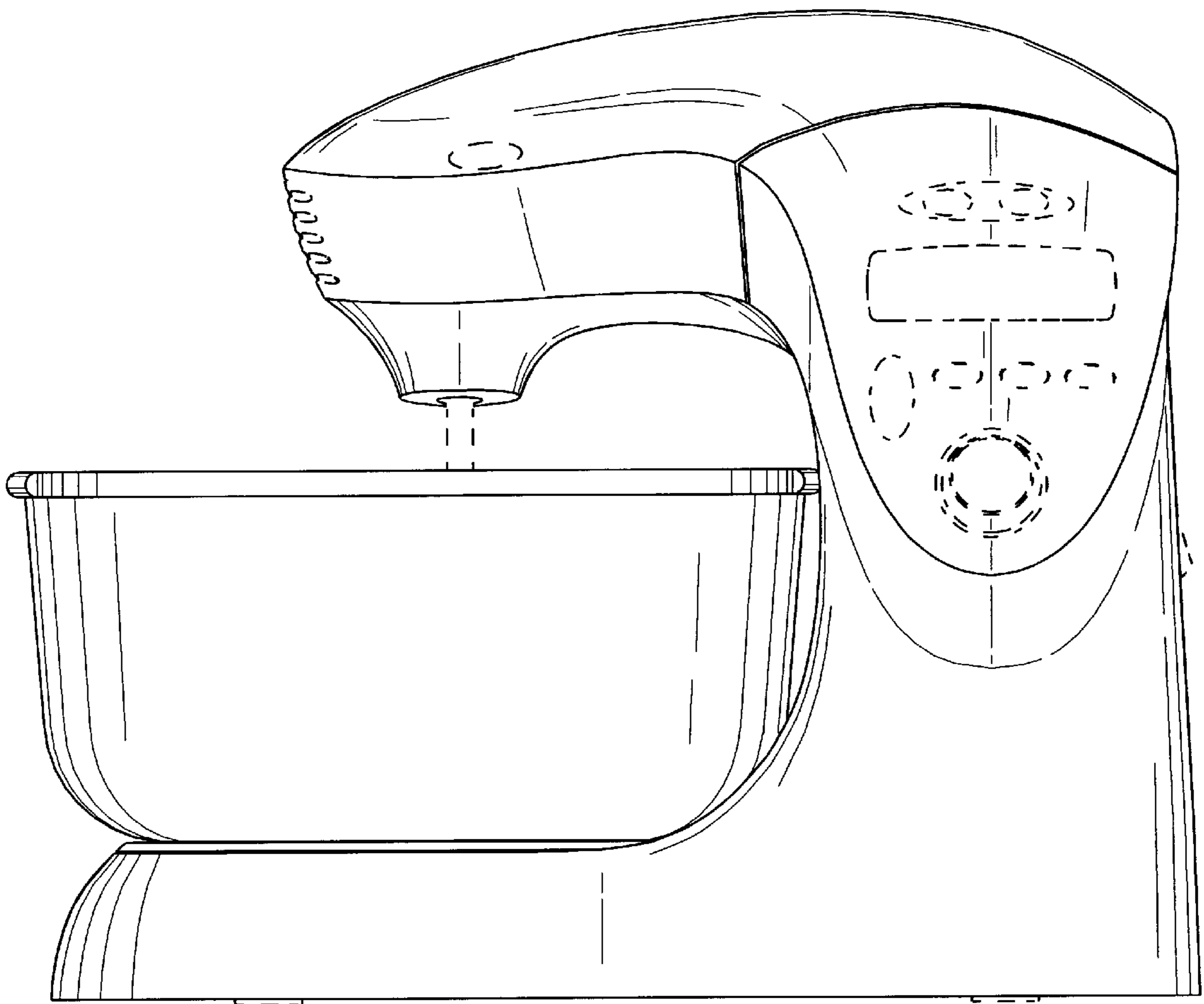


FIG. 2

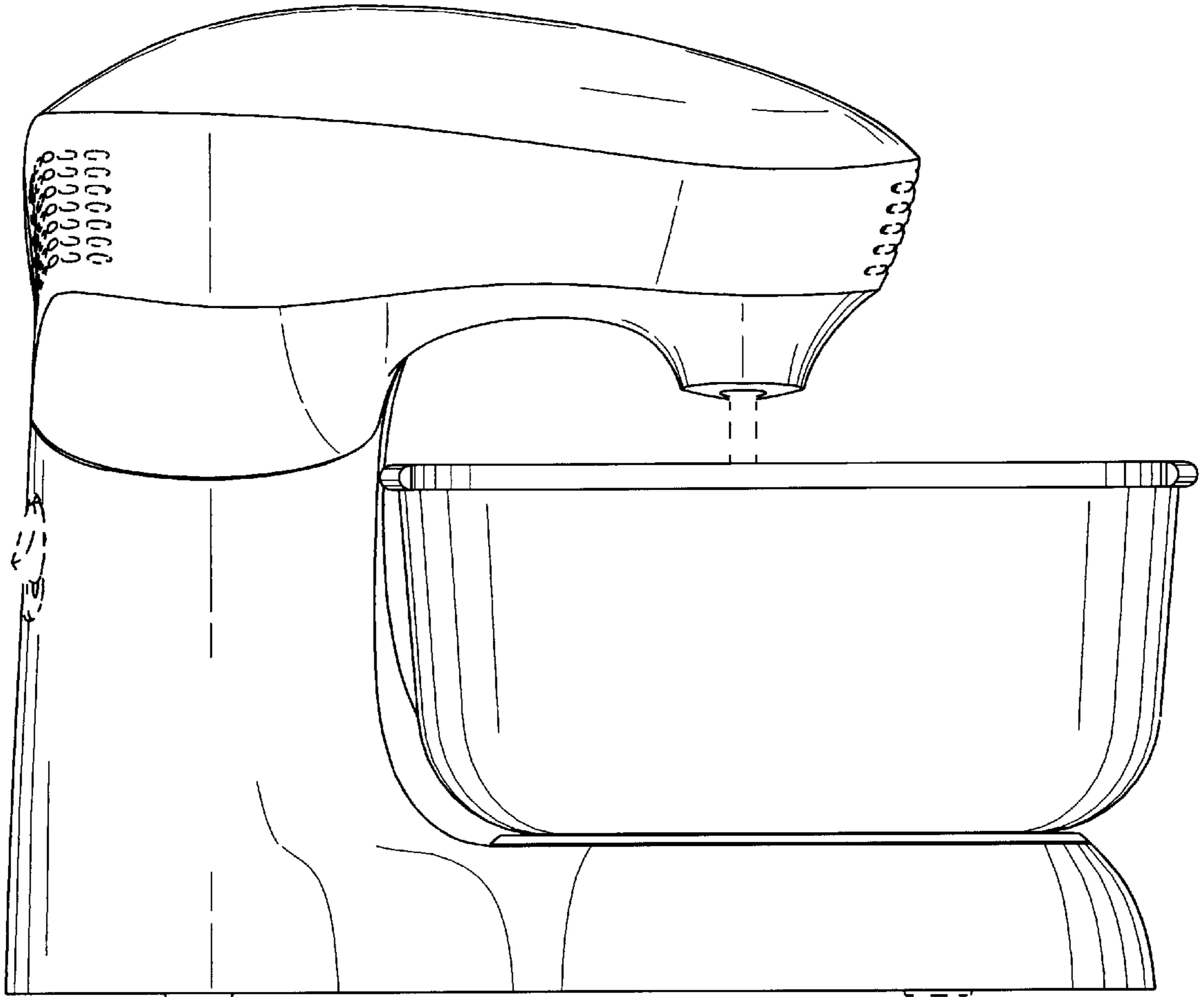


FIG. 3

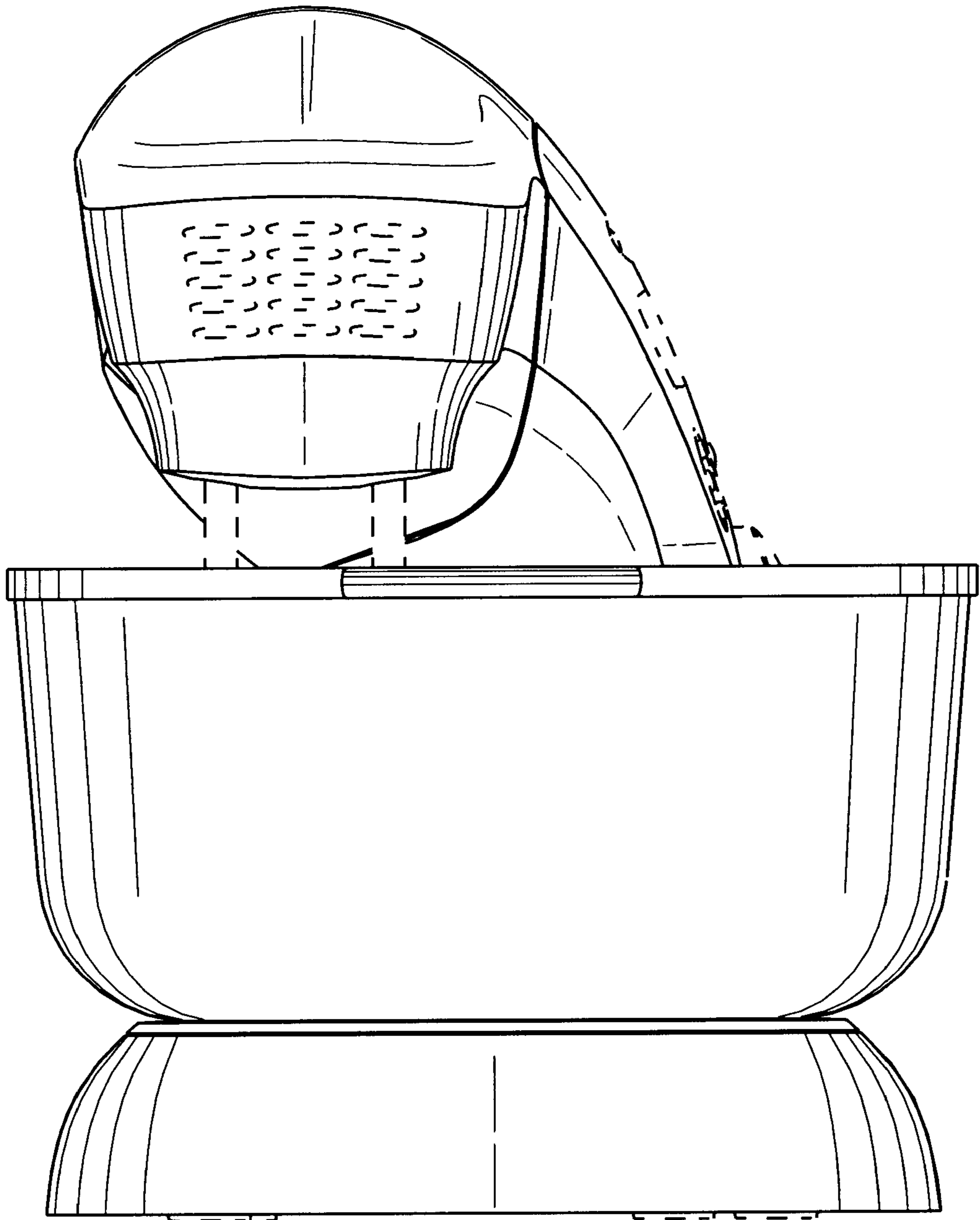


FIG. 4

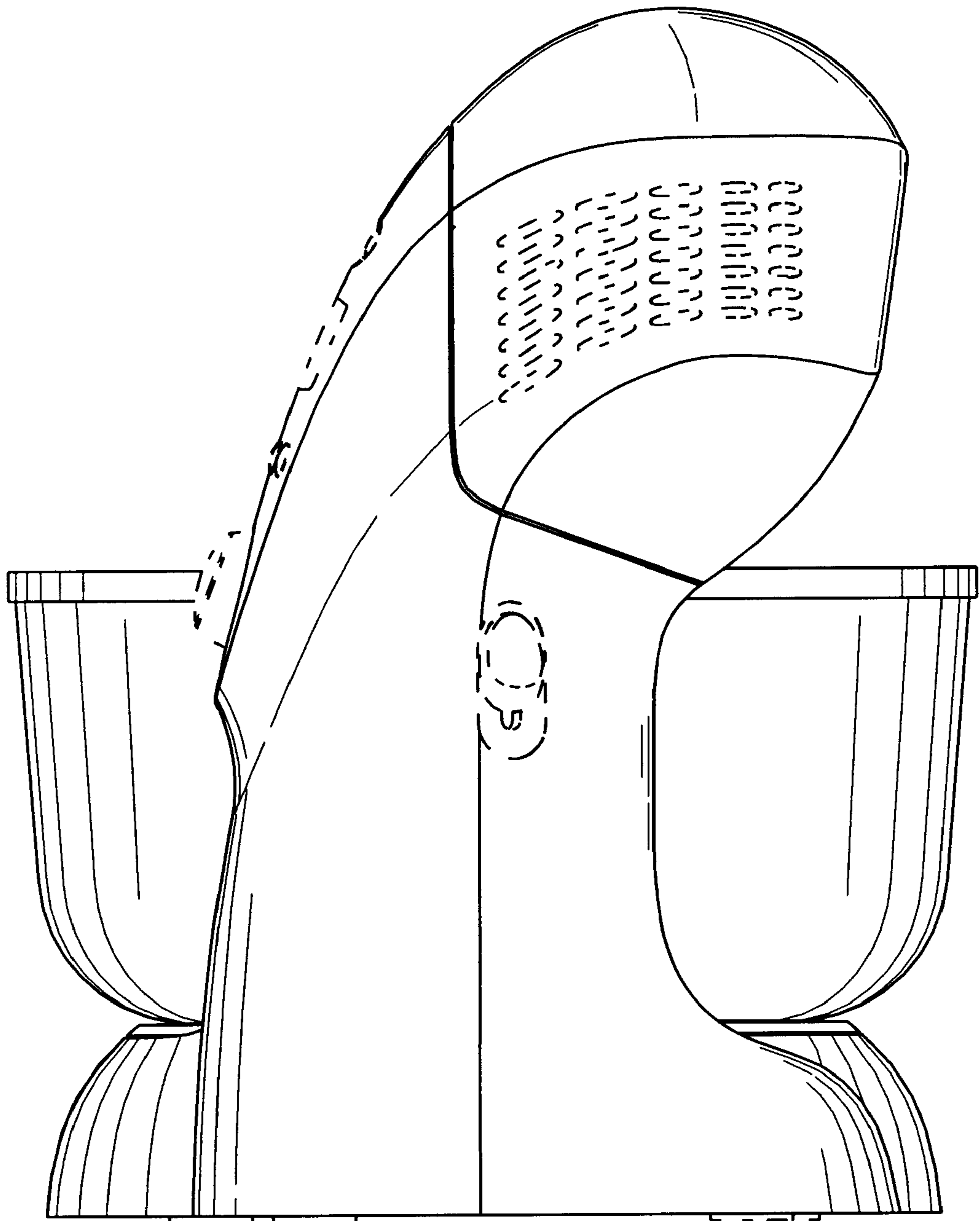


FIG. 5

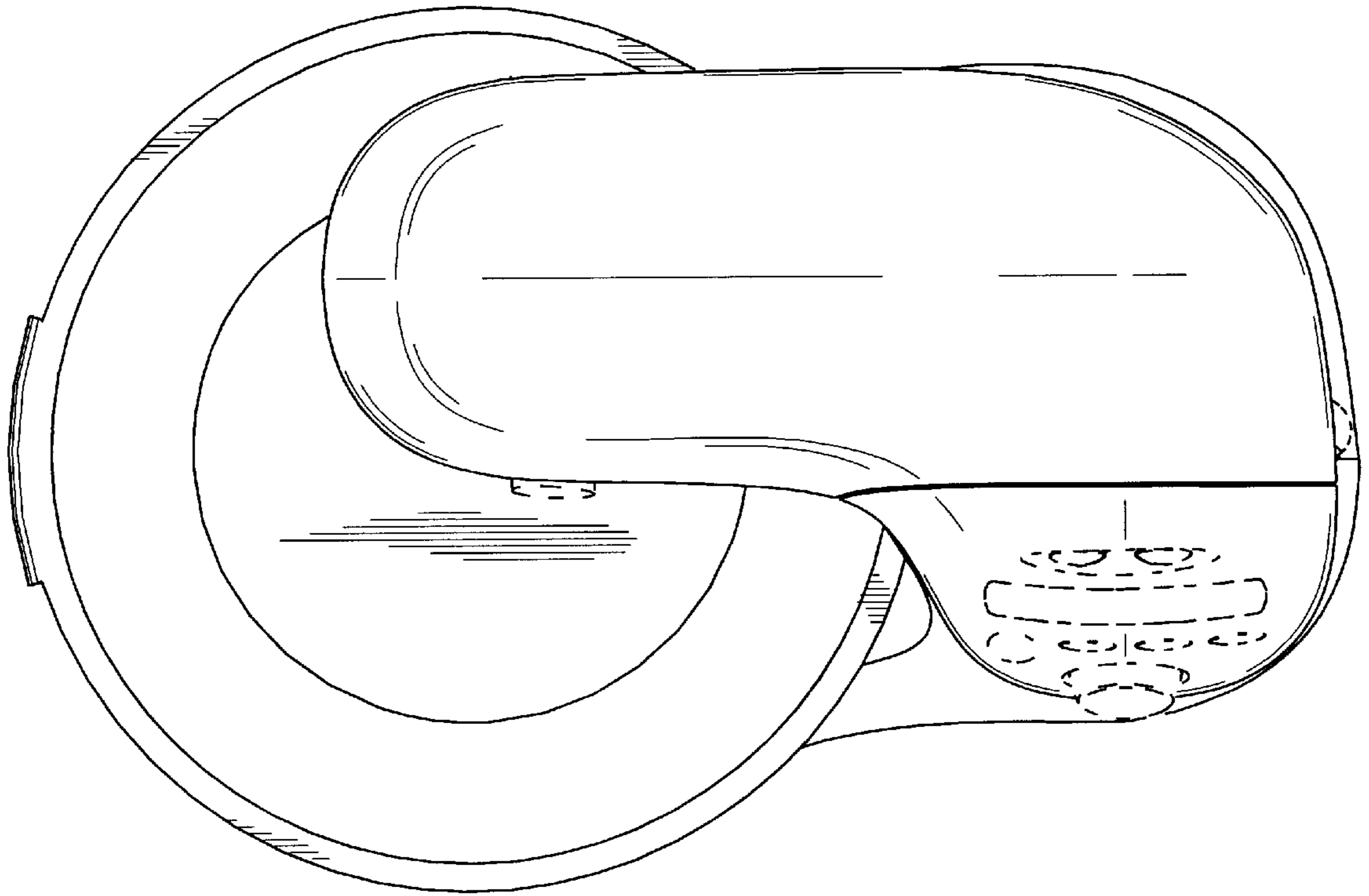


FIG. 6

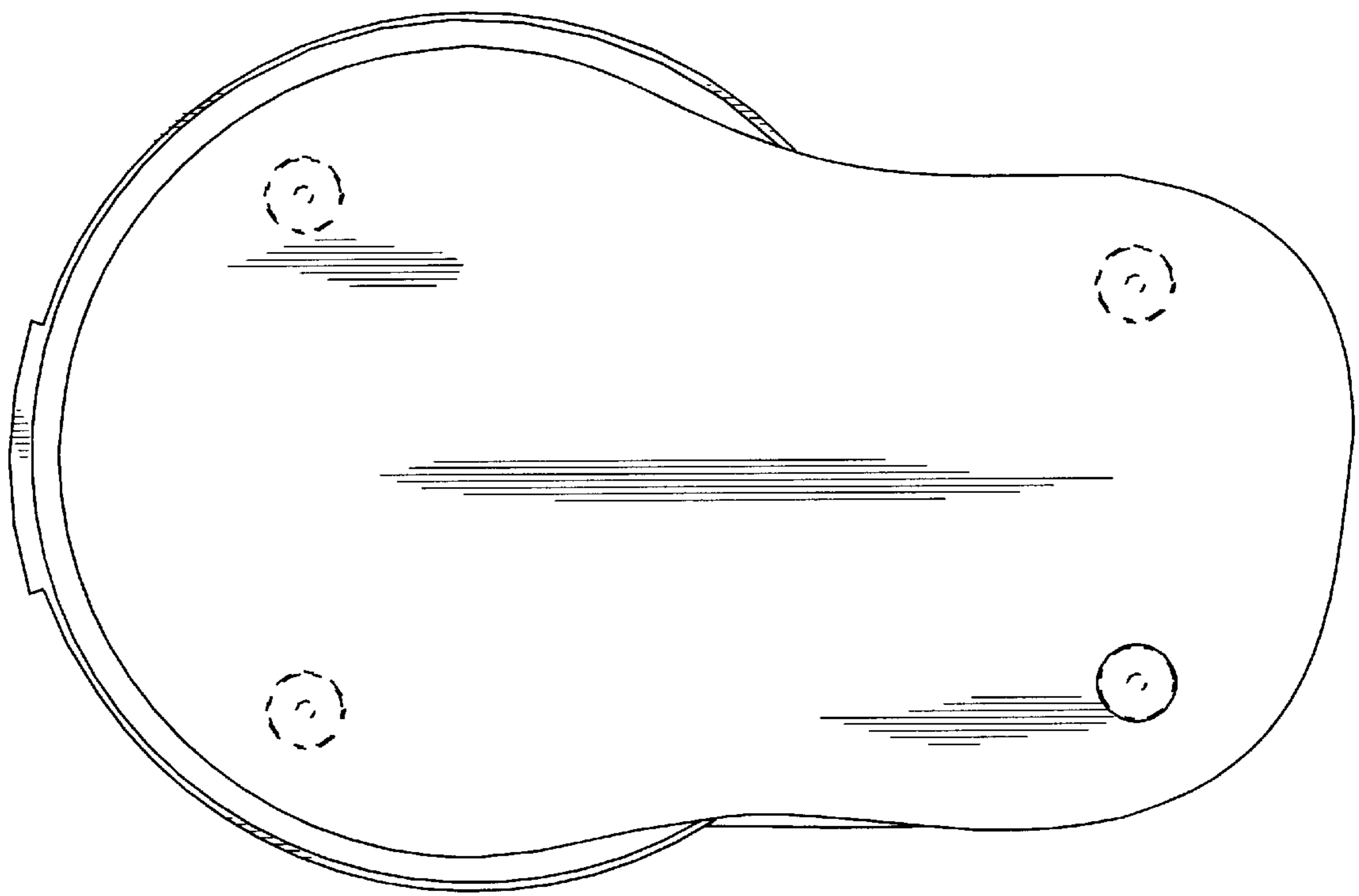


FIG. 7