



US00D436494S

(12) **United States Design Patent**
McDonald et al.

(10) **Patent No.:** **US D436,494 S**

(45) **Date of Patent:** **** Jan. 23, 2001**

(54) **PIE TIN**

(76) Inventors: **Peter Ernest McDonald; Margaret Anne McDonald**, both of 5 Mauna Court, Yanchep, Western Australia, 6035 (AU); **John Edwin Milligan**, 14 Gibney Vista, West Leederville, WA, 6007 (AU)

(**) Term: **14 Years**

(21) Appl. No.: **29/118,729**

(22) Filed: **Feb. 14, 2000**

(30) **Foreign Application Priority Data**

Jan. 7, 2000 (AU) 31/2000

(51) **LOC (7) Cl.** **07-02**

(52) **U.S. Cl.** **D7/354**

(58) **Field of Search** D7/323, 354, 359, D7/543, 566, 672; 99/432, DIG. 15; 220/573.1, 573.2, 574, 912, DIG. 13

(56) **References Cited**

U.S. PATENT DOCUMENTS

D. 423,276 * 4/2000 McDonald et al. D7/354

* cited by examiner

Primary Examiner—Caron D. Veynar

(74) *Attorney, Agent, or Firm*—Bachman & LaPointe, P.C.

(57) **CLAIM**

The ornamental design for a pie tin, as shown and described.

DESCRIPTION

FIG. 1 is an upper perspective view of a pie tin in accordance with the present invention;

FIG. 2 is a lower perspective view of the pie tin shown in FIG. 1;

FIG. 3 is an upper plan view of the pie tin;

FIG. 4 is a lower plan view of the pie tin;

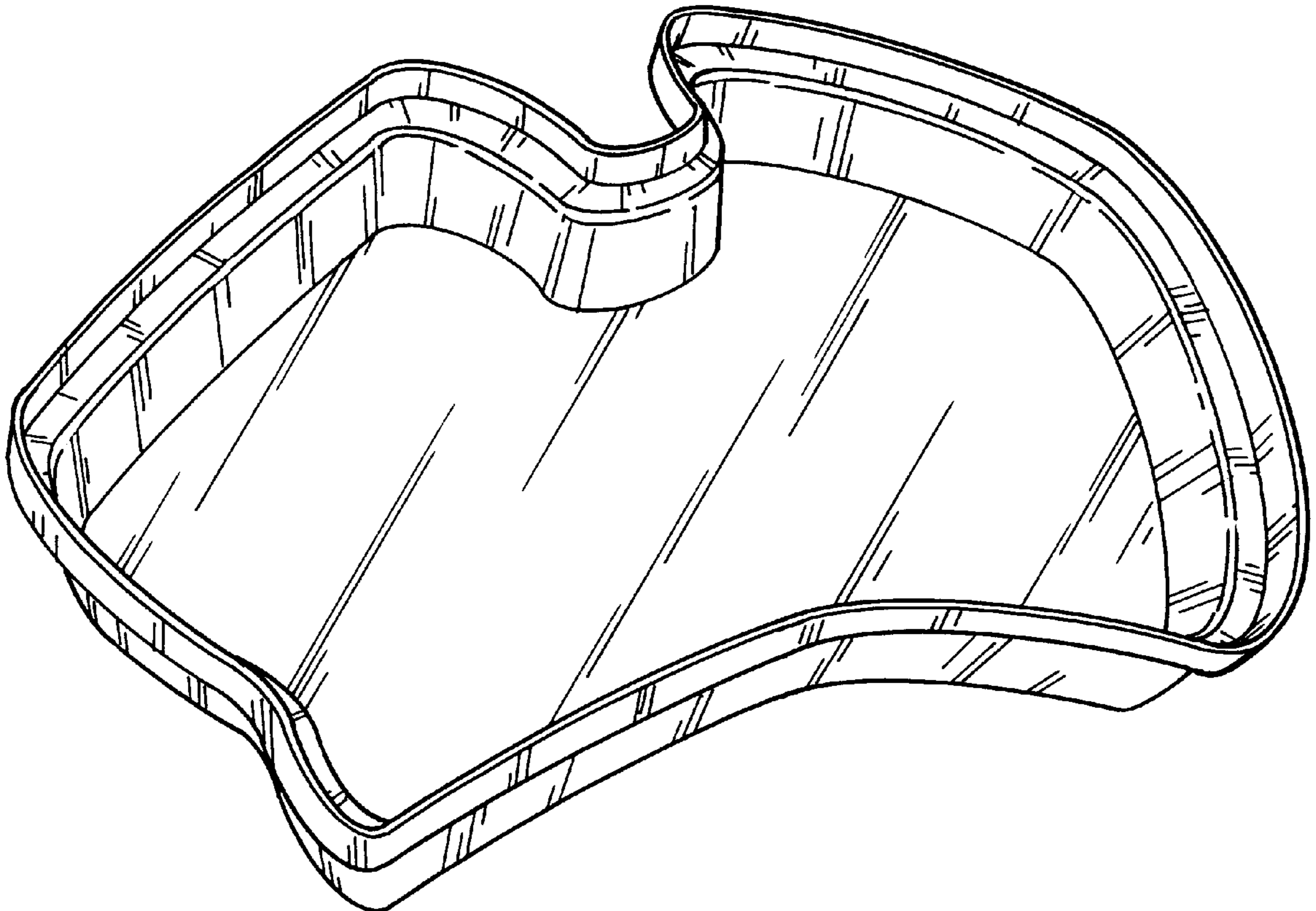
FIG. 5 is a first side view of the pie tin;

FIG. 6 is a second side view of the pie tin;

FIG. 7 is a third side view of the pie tin; and,

FIG. 8 is a fourth side view of the pie tin.

1 Claim, 3 Drawing Sheets



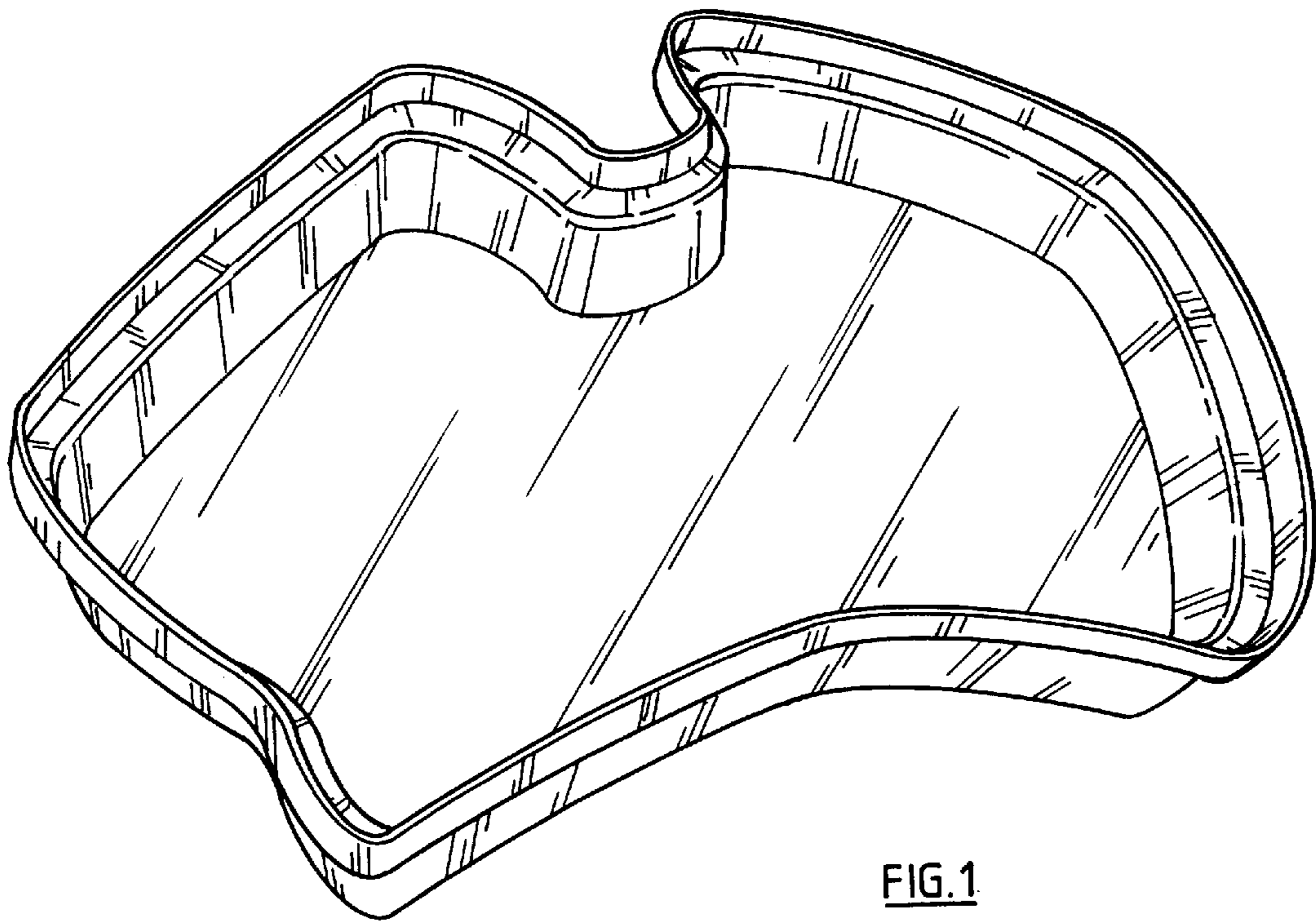


FIG. 1

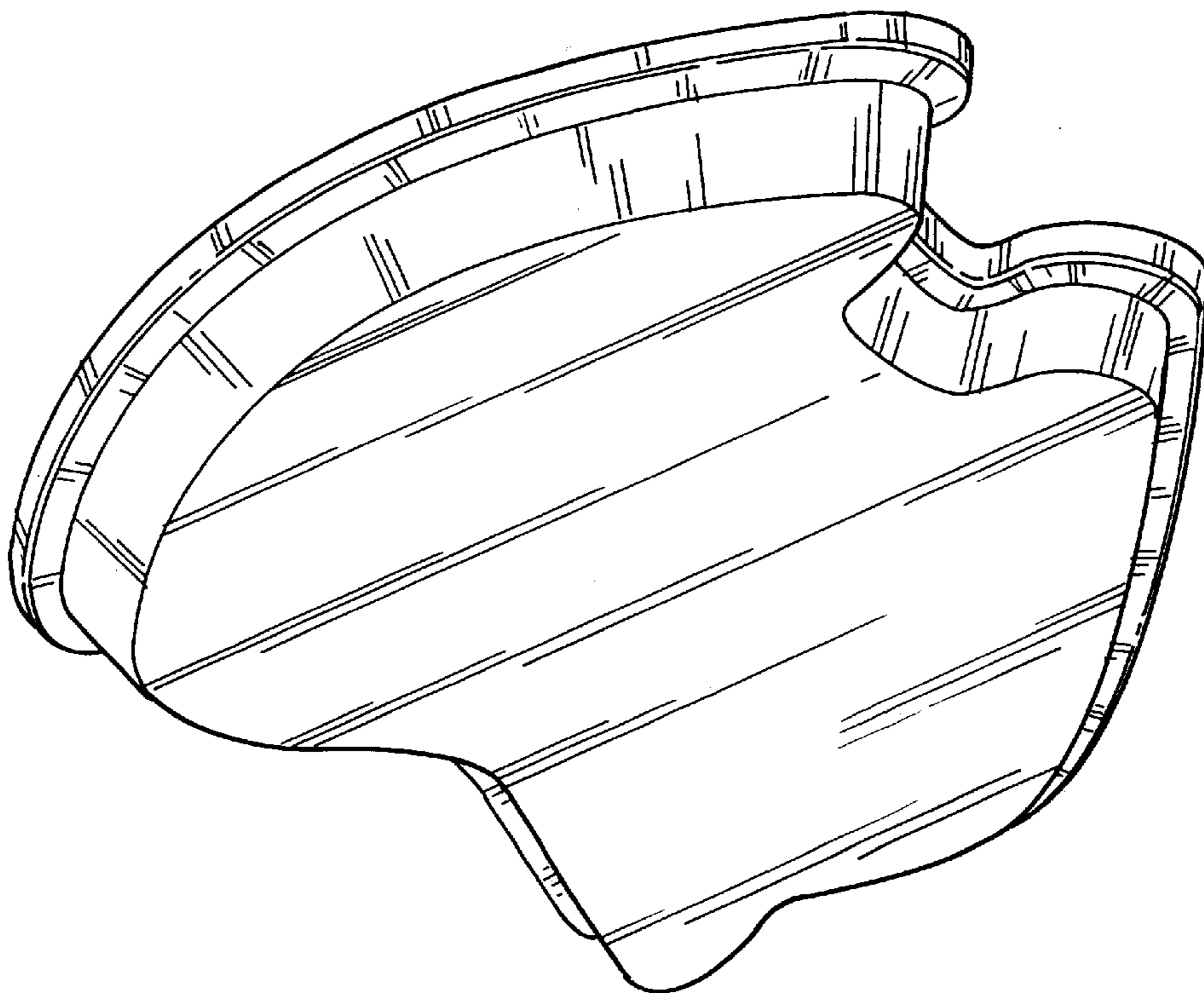


FIG. 2

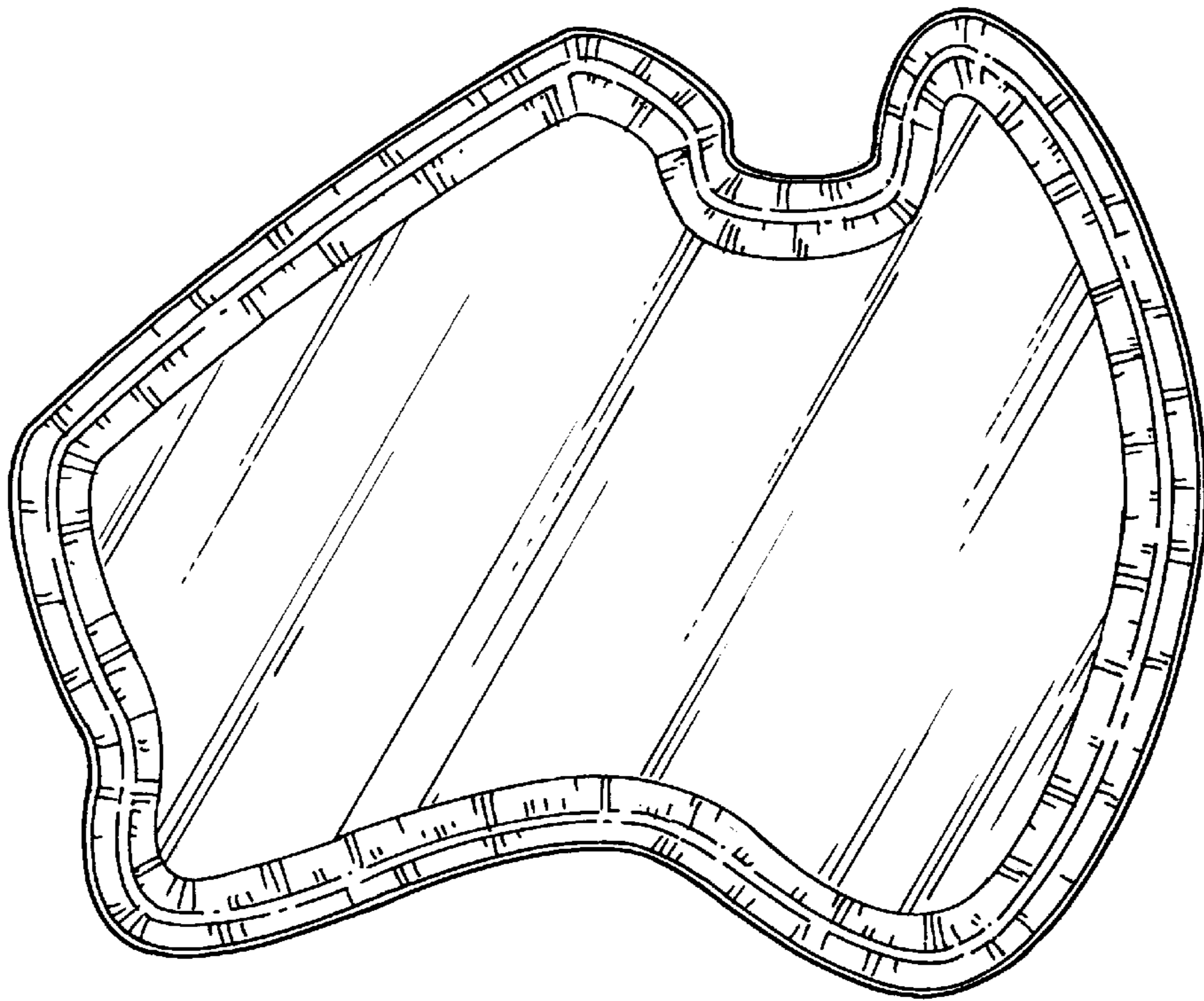


FIG.3

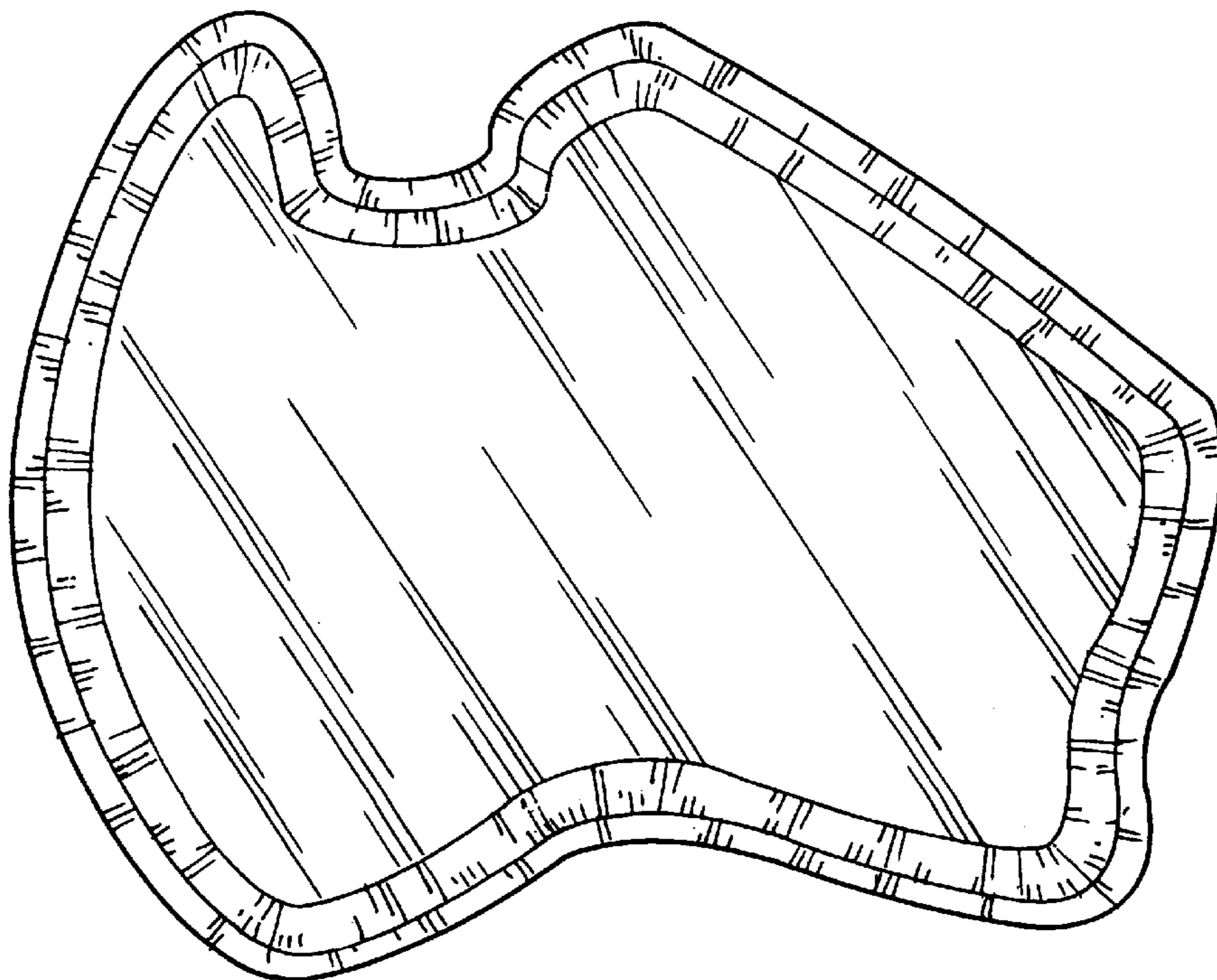


FIG.4

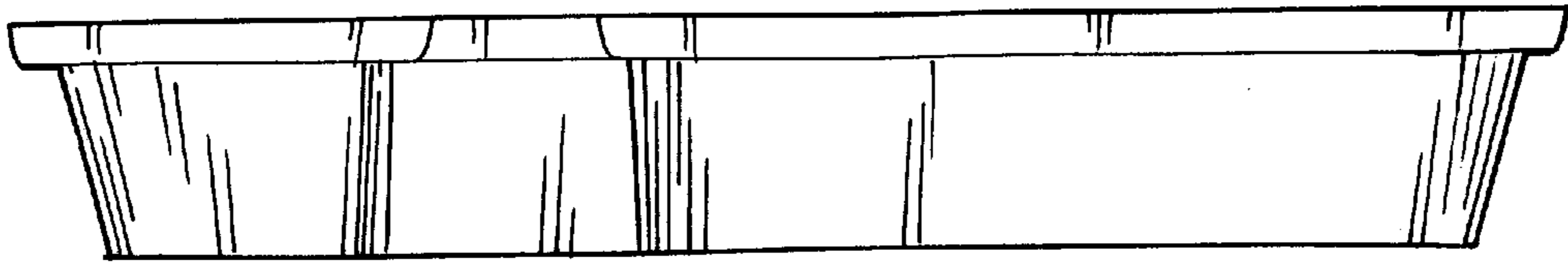


FIG. 5

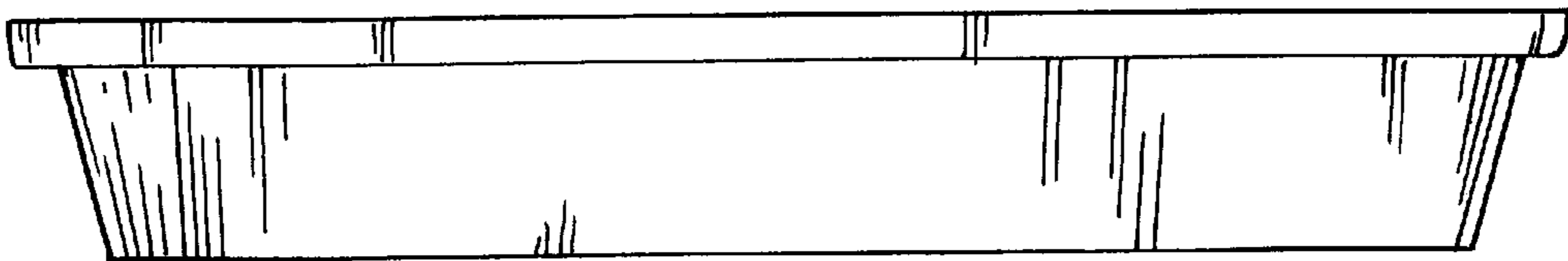


FIG. 6

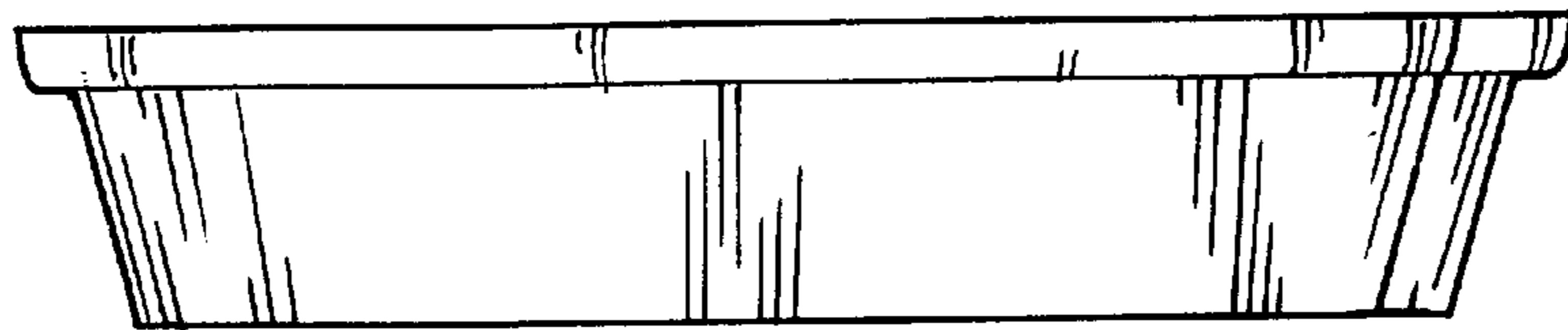


FIG. 7

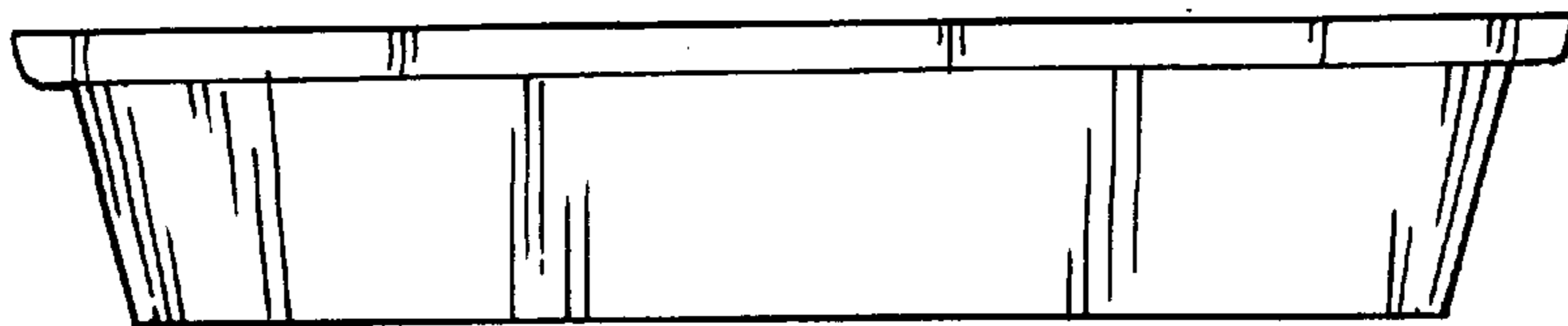


FIG. 8