



US00D436492S

(12) **United States Design Patent**
Chou

(10) **Patent No.:** **US D436,492 S**

(45) **Date of Patent:** **** Jan. 23, 2001**

(54) **BARBECUE GRILL**

(75) Inventor: **Hung Jen Chou, Hsin Tien (TW)**

(73) Assignee: **Collins Co., Ltd., Taipei (TW)**

(**) Term: **14 Years**

(21) Appl. No.: **29/109,185**

(22) Filed: **Aug. 12, 1999**

(51) **LOC (7) Cl.** **07-02**

(52) **U.S. Cl.** **D7/332**

(58) **Field of Search** D7/332-337, 402,
D7/403; 126/25 R, 25 A, 25 AA, 25 B,
29-30, 9 R, 9 B, 39 R, 41 R, 26, 40, 50;
99/419, 421 R, 421 HV

(56) **References Cited**

U.S. PATENT DOCUMENTS

- D. 224,063 * 6/1972 Wiggins D7/335
- D. 284,929 * 8/1986 Schlosser et al. D7/332
- D. 420,546 * 2/2000 Pai D7/332

5,540,212 * 7/1996 Stroud 126/25 R

* cited by examiner

Primary Examiner—Ruth McInroy

(74) *Attorney, Agent, or Firm*—Rosenberg, Klein & Lee

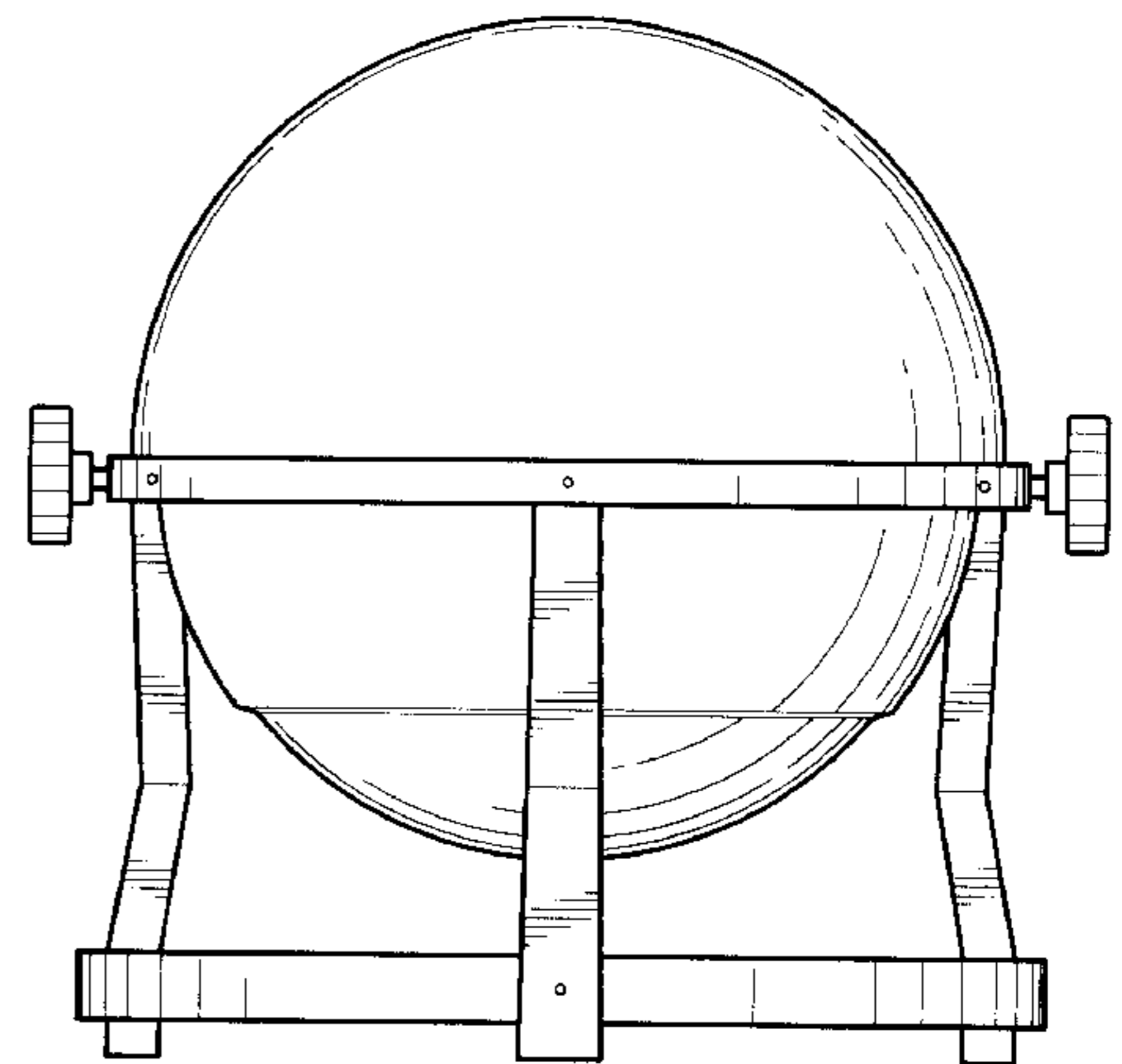
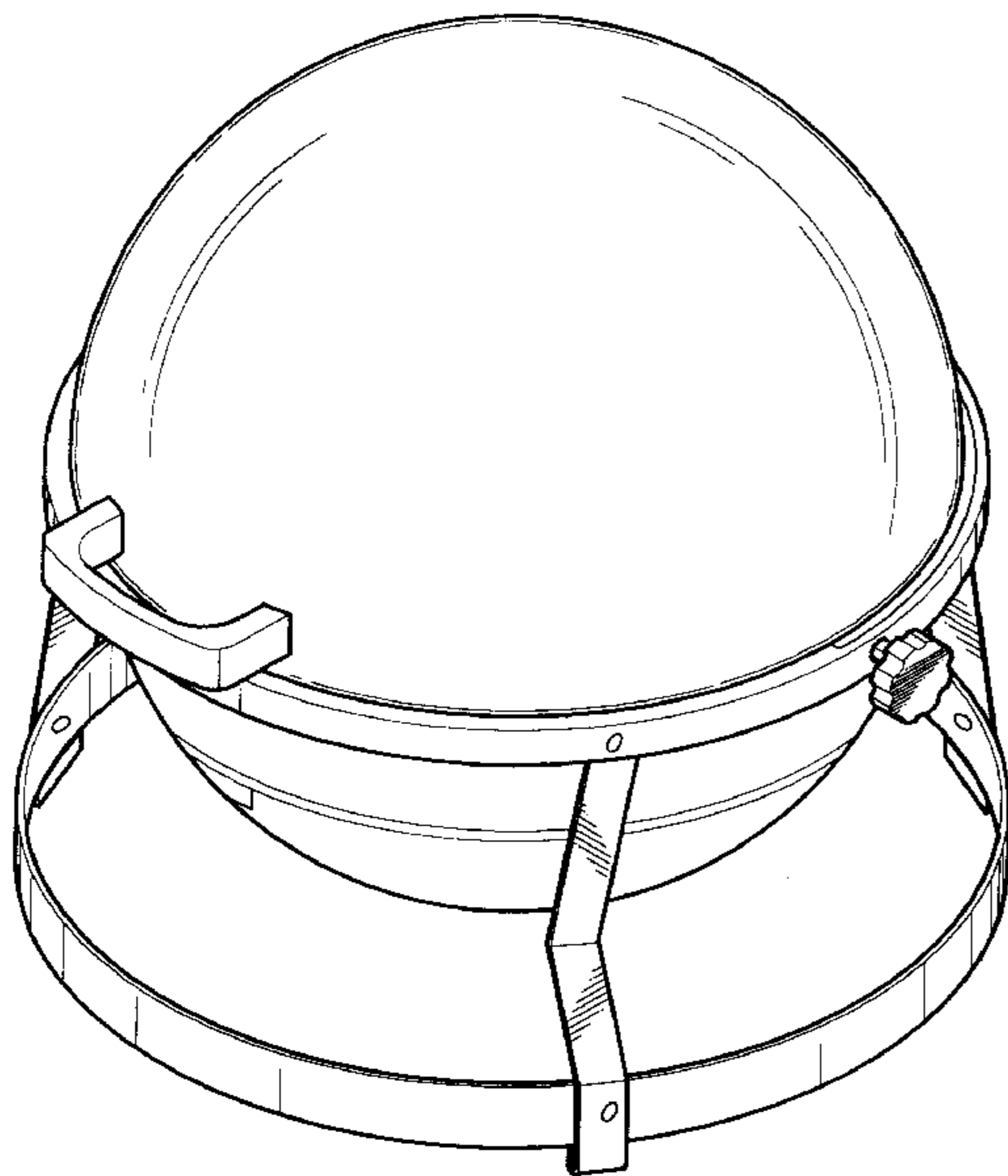
(57) **CLAIM**

The ornamental design for barbecue grill, as shown and described.

DESCRIPTION

FIG. 1 is the perspective view of a barbecue grill showing my new design;
 FIG. 2 is the front elevational view thereof;
 FIG. 3 is the rear elevational view thereof;
 FIG. 4 is the left side elevational view thereof;
 FIG. 5 is the right side elevational view thereof;
 FIG. 6 is the top plan view thereof;
 FIG. 7 is the bottom plan view thereof; and,
 FIG. 8 is a perspective view thereof, showing the lid in an open position.

1 Claim, 5 Drawing Sheets



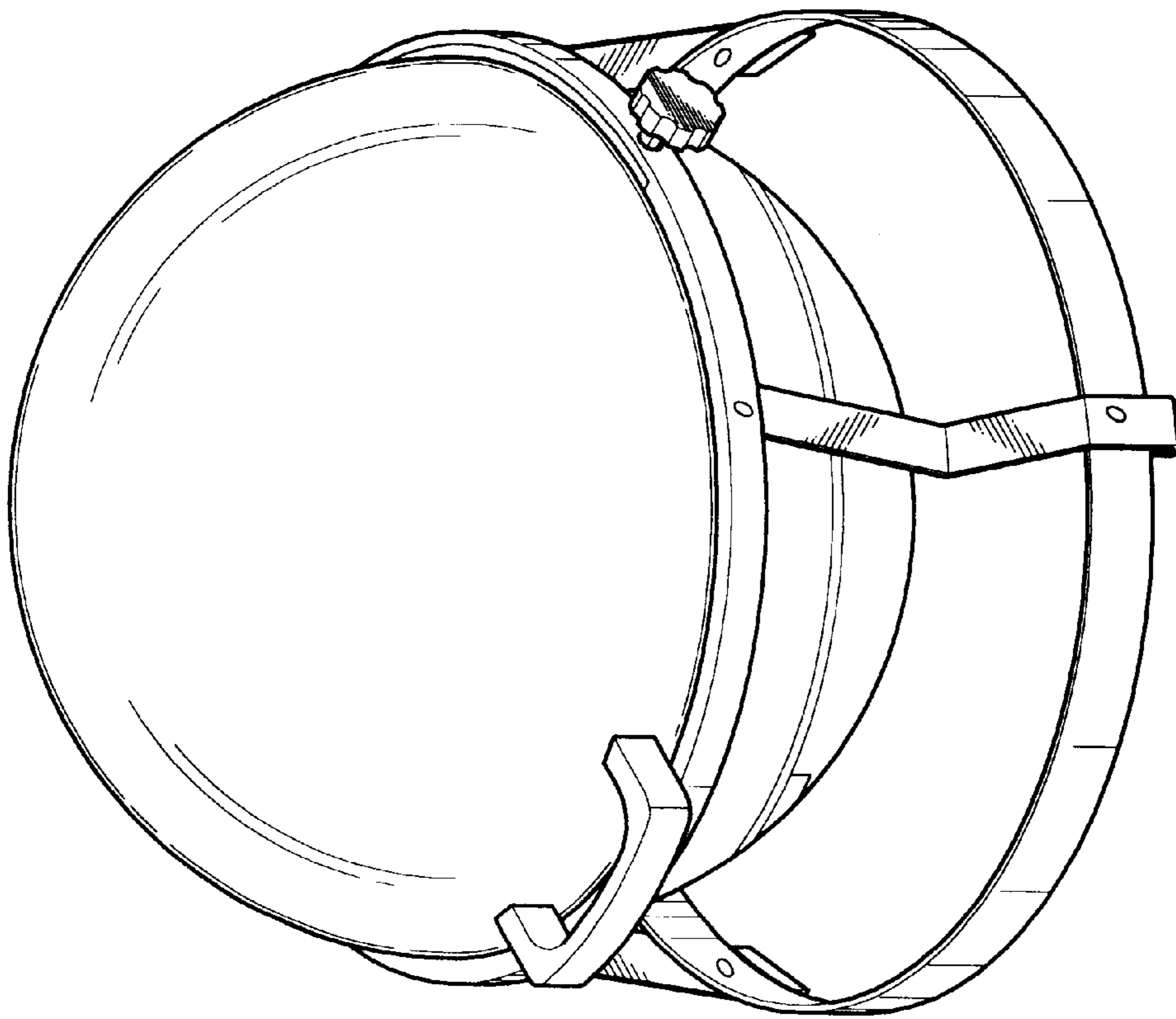


Fig-1

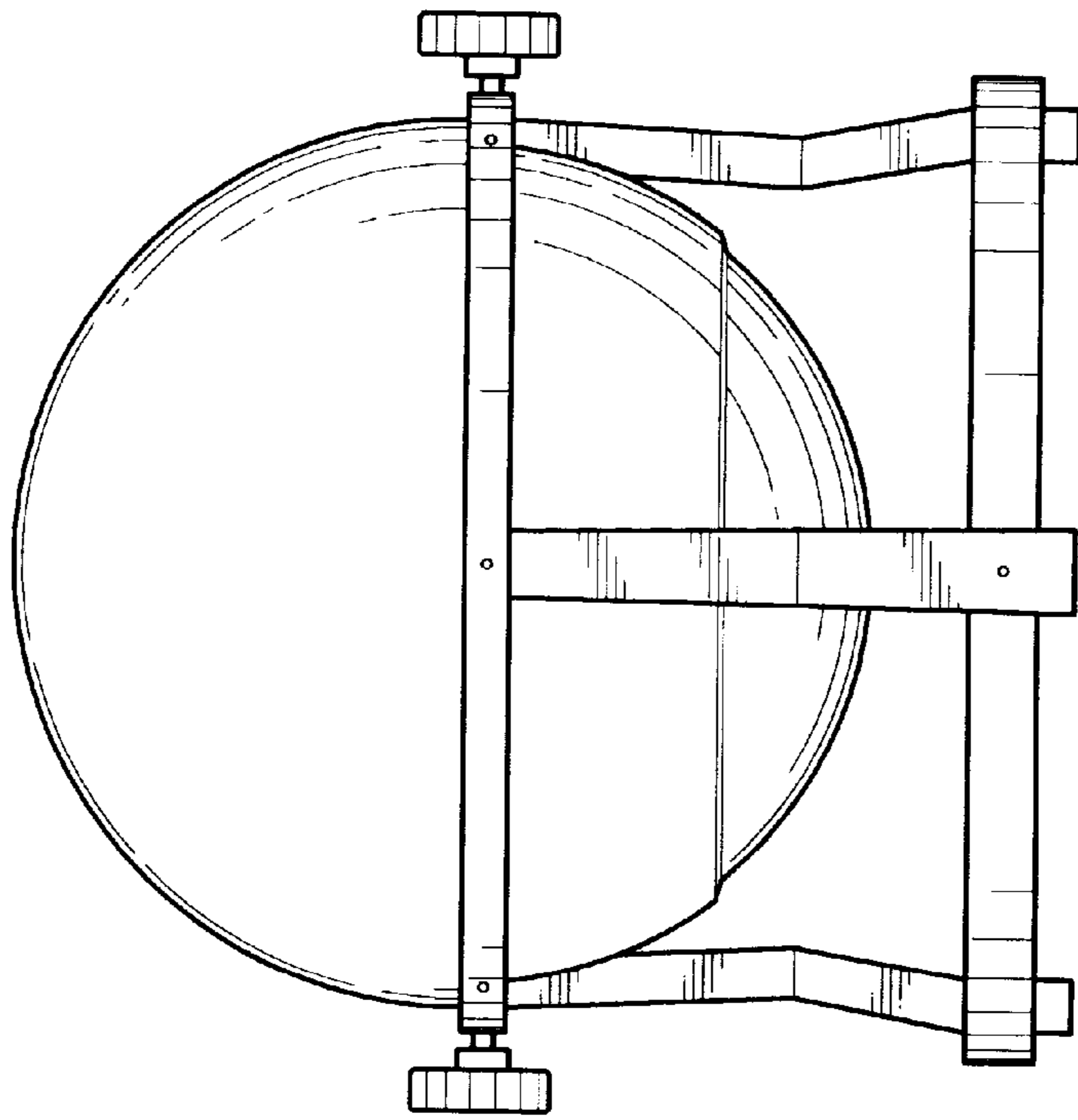


Fig-3

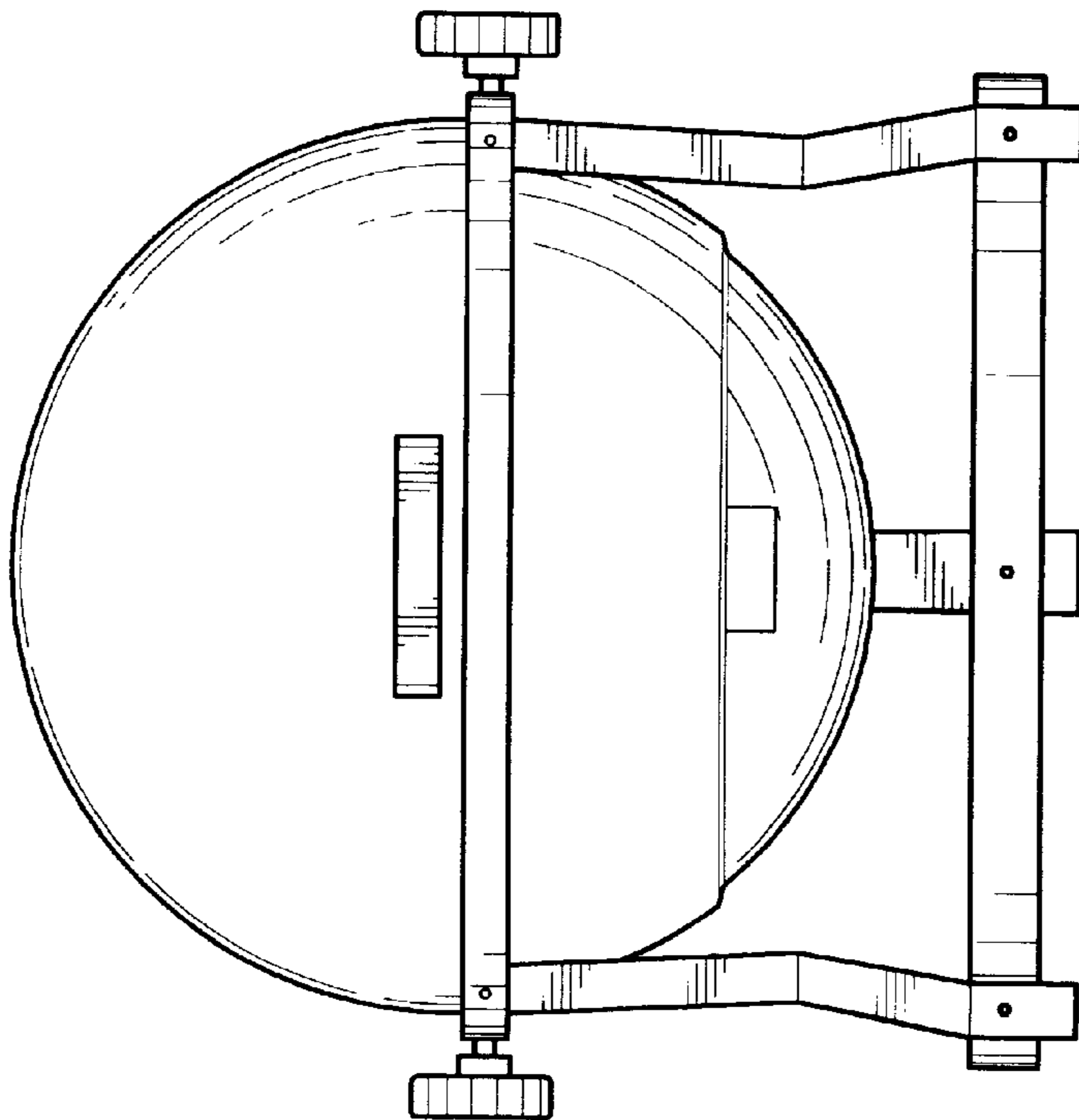


Fig-2

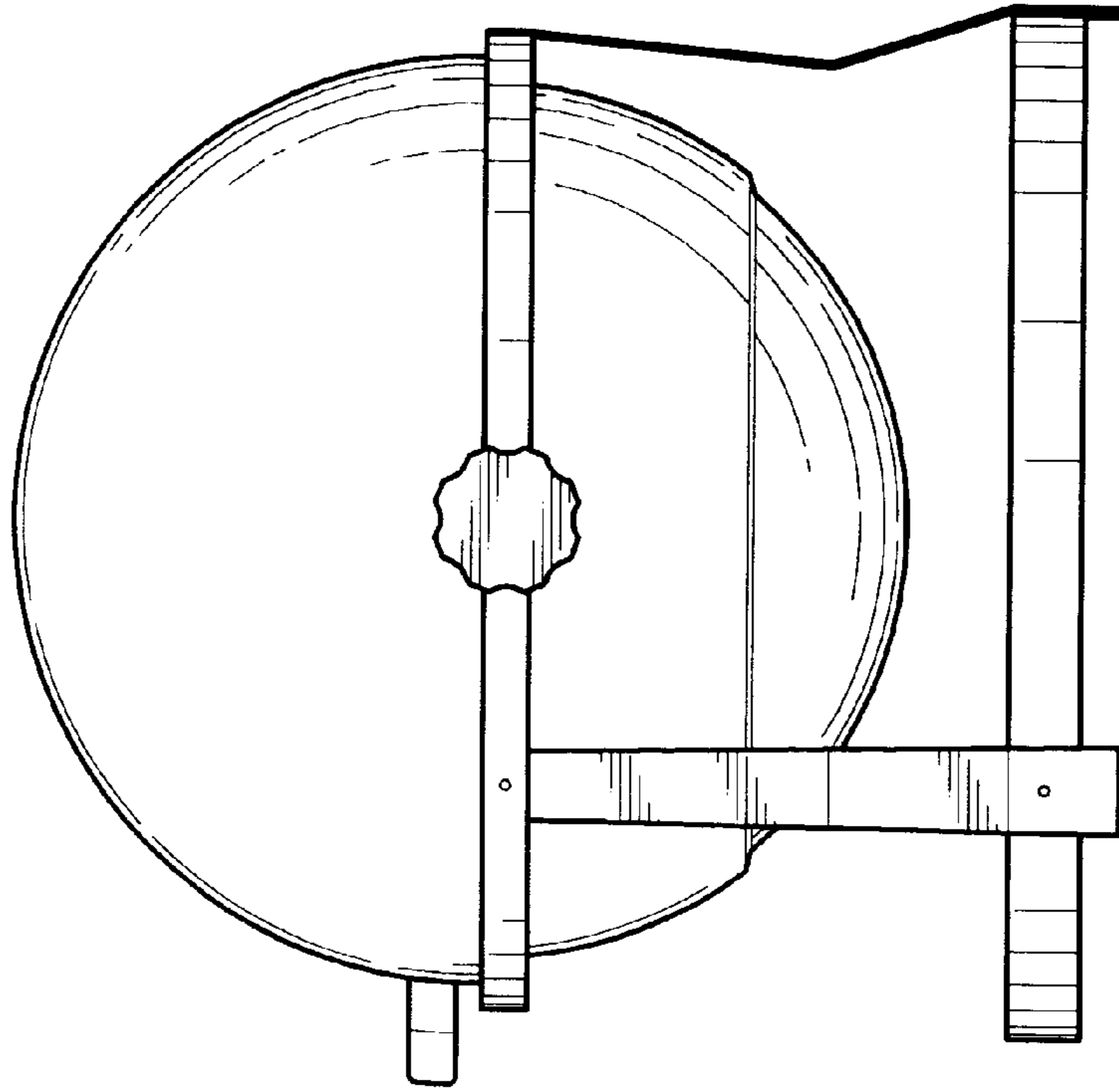


Fig-5

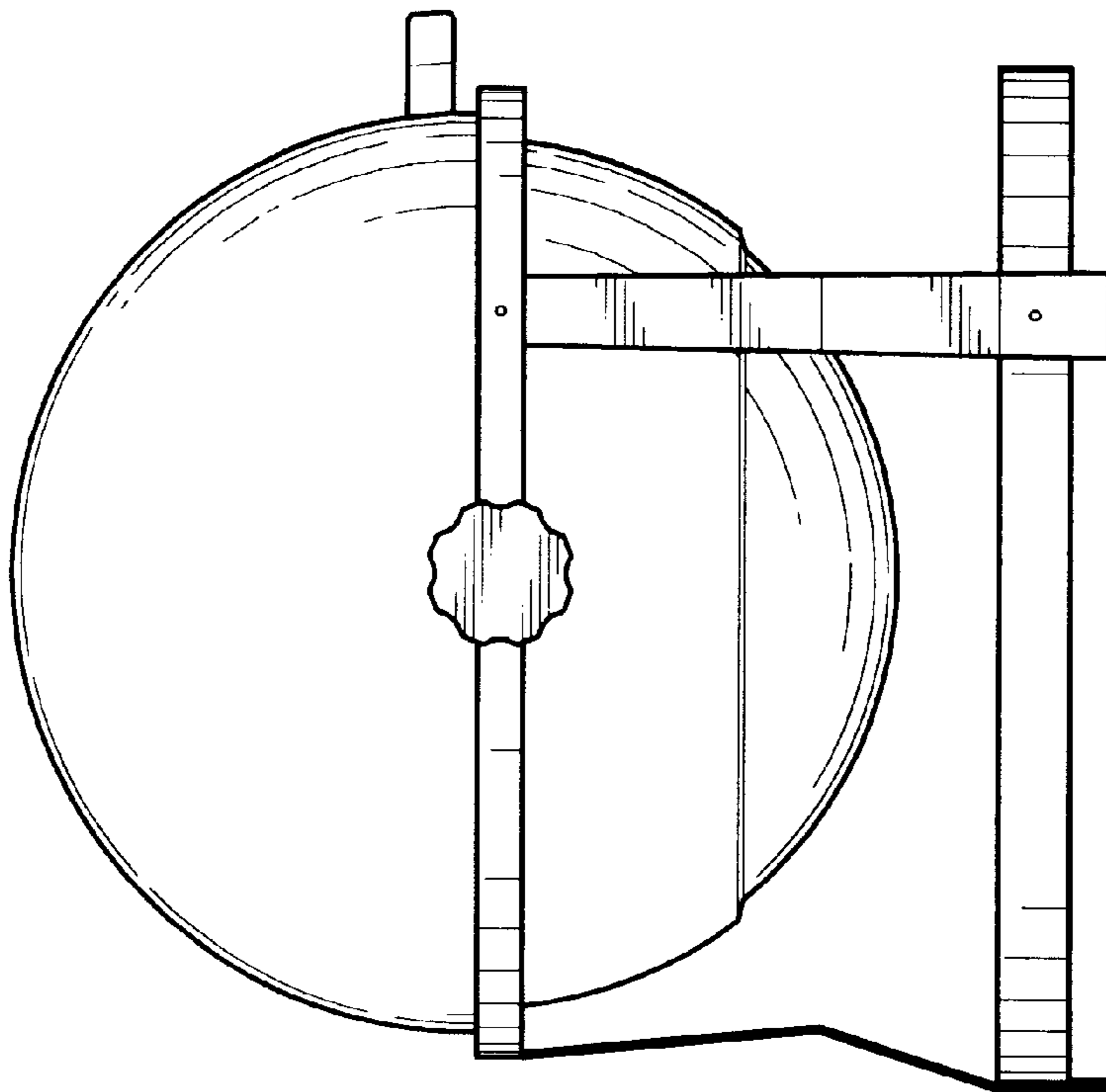


Fig-4

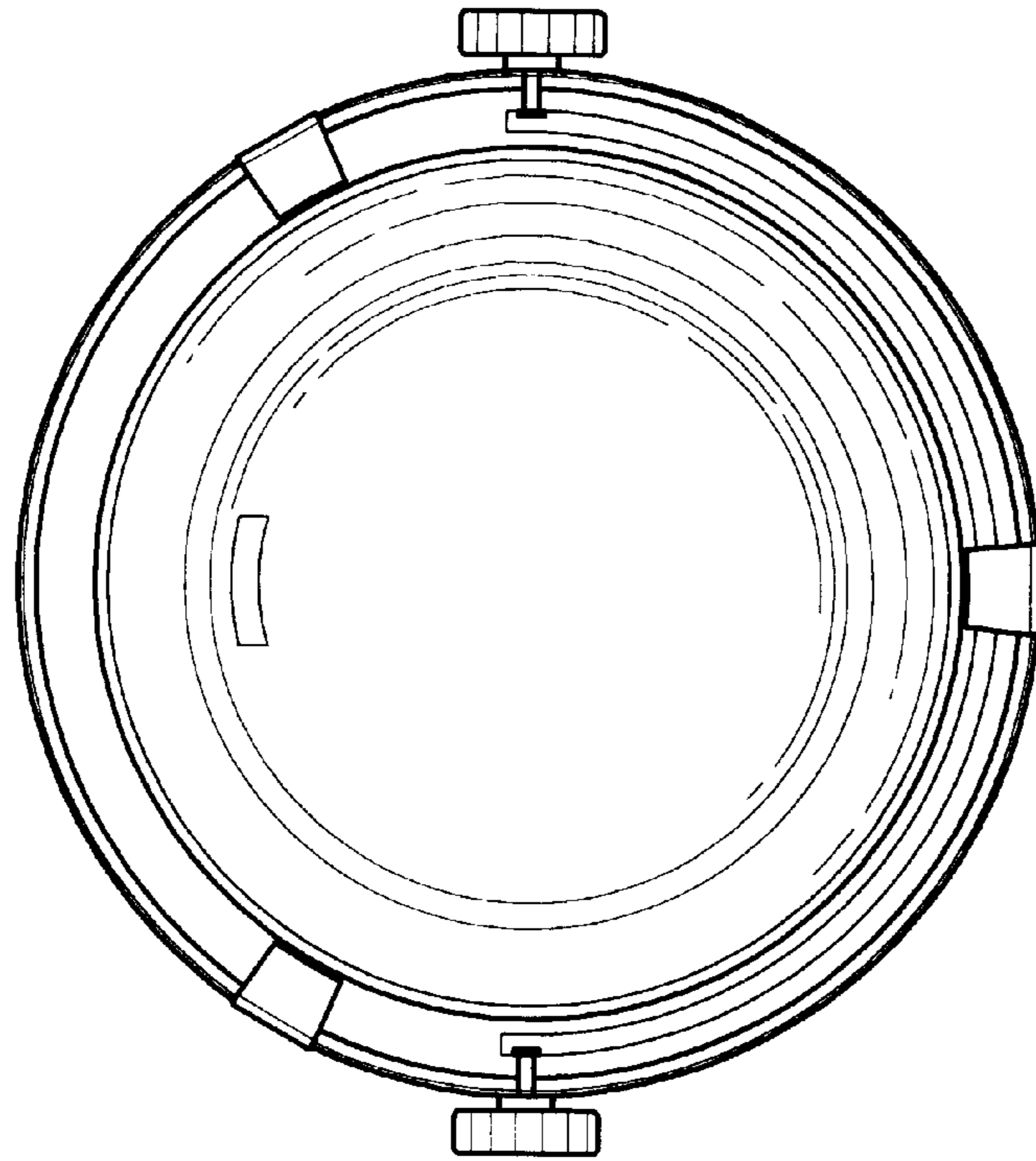


Fig-7

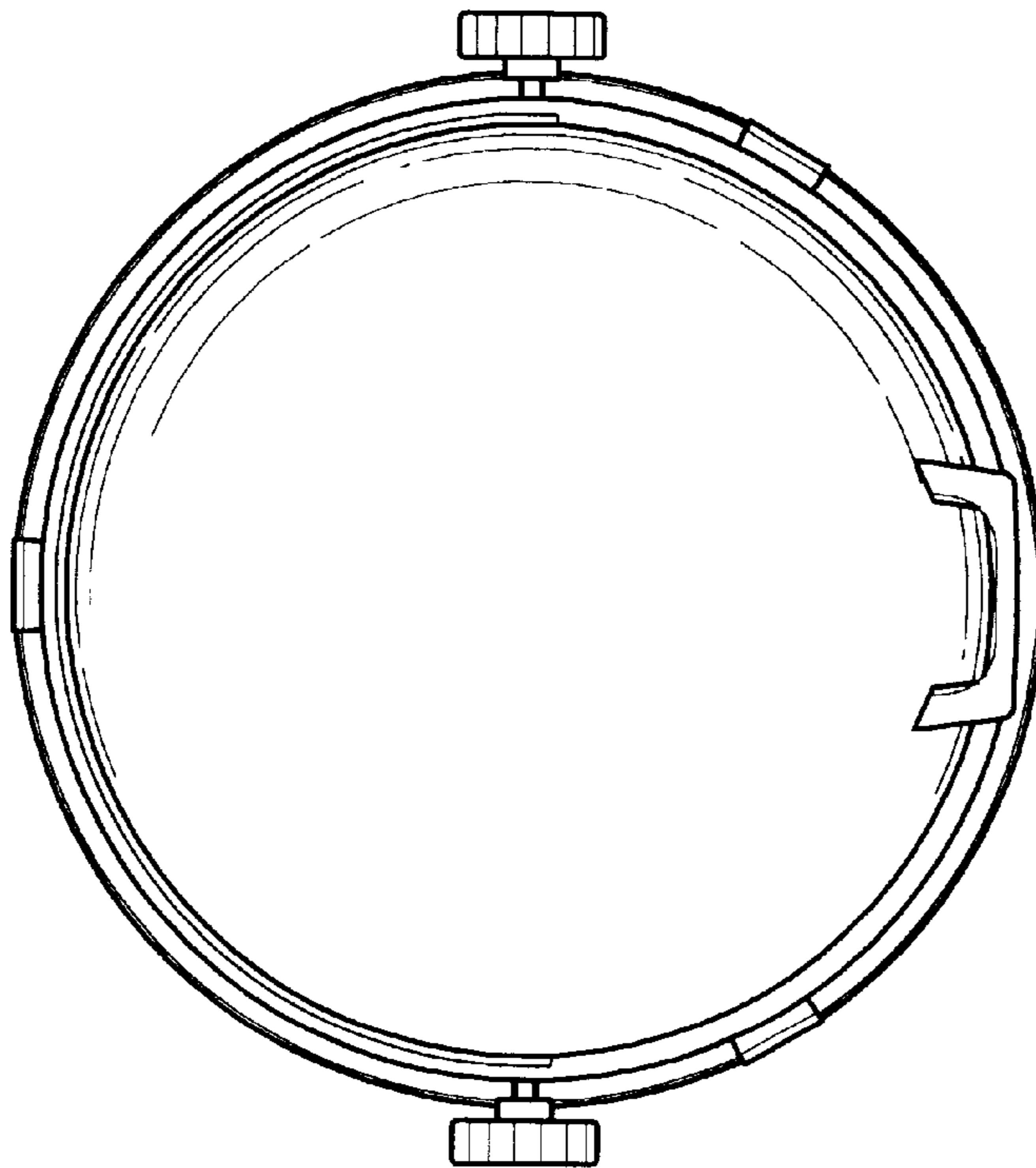


Fig-6

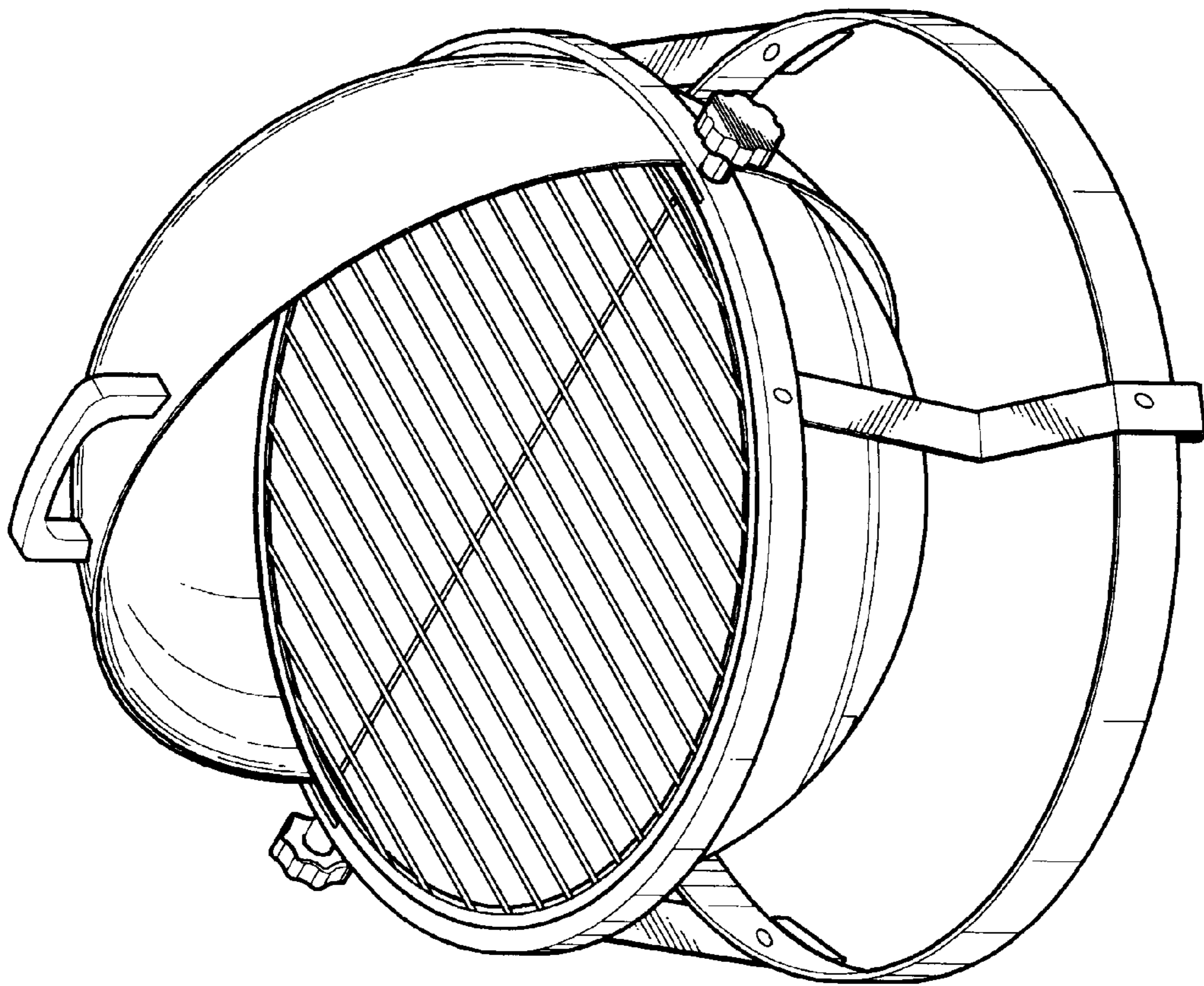


Fig-8