



US00D436490S

(12) **United States Design Patent**
Kwok

(10) **Patent No.:** **US D436,490 S**

(45) **Date of Patent:** **** Jan. 23, 2001**

(54) **RACK FOR COMPACT DISKS**

5,984,115 * 11/1999 Koestenblatt et al. 211/40
6,019,230 * 2/2000 Hayashi 211/41.12

(75) Inventor: **Tat Cheong Kwok**, Chaiwan (HK)

FOREIGN PATENT DOCUMENTS

(73) Assignee: **Kwok's Brother Manufacturing Limited**, Chaiwan (HK)

9710526 2/1998 (HK) .
9801851 11/1998 (HK) .

(**) Term: **14 Years**

OTHER PUBLICATIONS

(21) Appl. No.: **29/110,606**

Sunhing Millennium Product Catalog, No date given.
Disctech Technology Limited Product Catalog, No date given.
Charter Centre Company Limited Product Catalog, No date given.

(22) Filed: **Sep. 9, 1999**

(30) **Foreign Application Priority Data**

Jun. 10, 1999 (HK) 9910701
Jun. 10, 1999 (HK) 9910702

* cited by examiner

(51) **LOC (7) Cl.** **06-04**

Primary Examiner—Jeffrey Asch

(52) **U.S. Cl.** **D6/630; D6/468**

(74) *Attorney, Agent, or Firm*—Sheridan Ross P.C.

(58) **Field of Search** D6/407, 626–630,
D6/462–468, 450, 457, 473–476, 556–567,
570–572, 553, 477–479; 312/9.1–9.64;
D19/90; D32/55, 58; 211/40, 41.1, 41.2,
41.3, 41.4, 42, 41.12, 44, 41.18, 48, 181.1;
206/307.1, 307, 308.1, 445, 387.15, 454,
387.1, 425

(57) **CLAIM**

The ornamental design for a rack for compact disks, as shown and described.

(56) **References Cited**

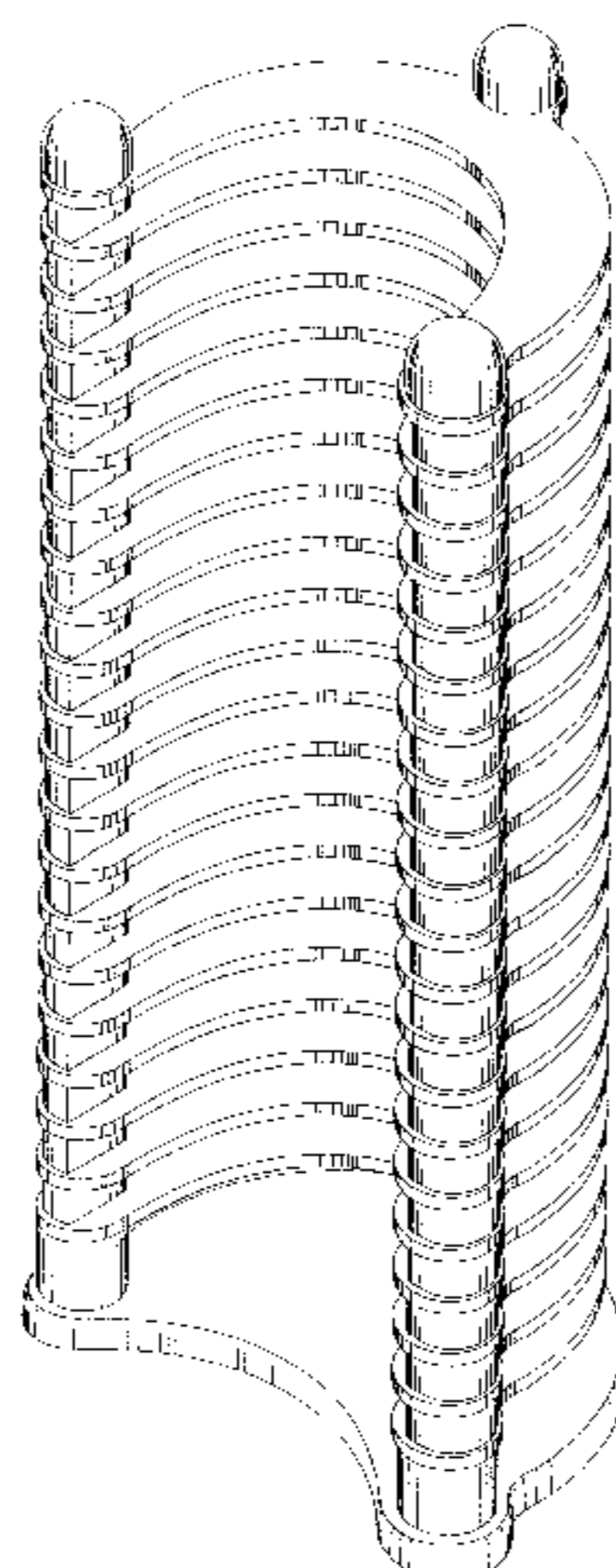
DESCRIPTION

U.S. PATENT DOCUMENTS

Re. 35,761 * 4/1998 Dardashti 211/40
D. 239,901 * 5/1976 Goulder D6/479
D. 301,813 * 6/1989 Manhart D6/467
D. 319,741 * 9/1991 Sylvester D6/407
D. 351,528 * 10/1994 Dardashti D6/630
D. 352,848 * 11/1994 Dardashti D6/465
D. 356,700 * 3/1995 Lee D6/407
D. 359,648 * 6/1995 Hwang D6/629
D. 364,979 * 12/1995 Thomas et al. D6/465
D. 395,189 * 6/1998 Chow D6/630
D. 395,569 * 6/1998 Hamada D6/629
D. 412,805 * 8/1999 Cheris et al. D6/630
D. 413,478 * 9/1999 Yeh D6/629
5,341,943 * 8/1994 Fraser 211/40
5,370,242 * 12/1994 Huang 211/40
5,692,623 * 12/1997 Todor et al. 206/307.1
5,788,088 * 8/1998 Kao 211/40

FIG. 1 is a front perspective view of the rack for compact disks of the present invention;
FIG. 2 is a rear perspective view of the rack for compact disks of the present invention;
FIG. 3 is a top plan view of the rack for compact disks of the present invention;
FIG. 4 is a bottom plan view of the rack for compact disks of the present invention;
FIG. 5 is a front elevation of the rack for compact disks of the present invention;
FIG. 6 is a rear elevation of the rack for compact disks of the present invention;
FIG. 7 is a left side elevation of the rack for compact disks of the present invention;
FIG. 8 is a right side elevation of the rack for compact disks of the present invention; and,
FIG. 9 is a partial exploded view for illustrative purposes of parts of the rack for compact disks of the present invention illustrated in FIGS. 1–8.

1 Claim, 8 Drawing Sheets



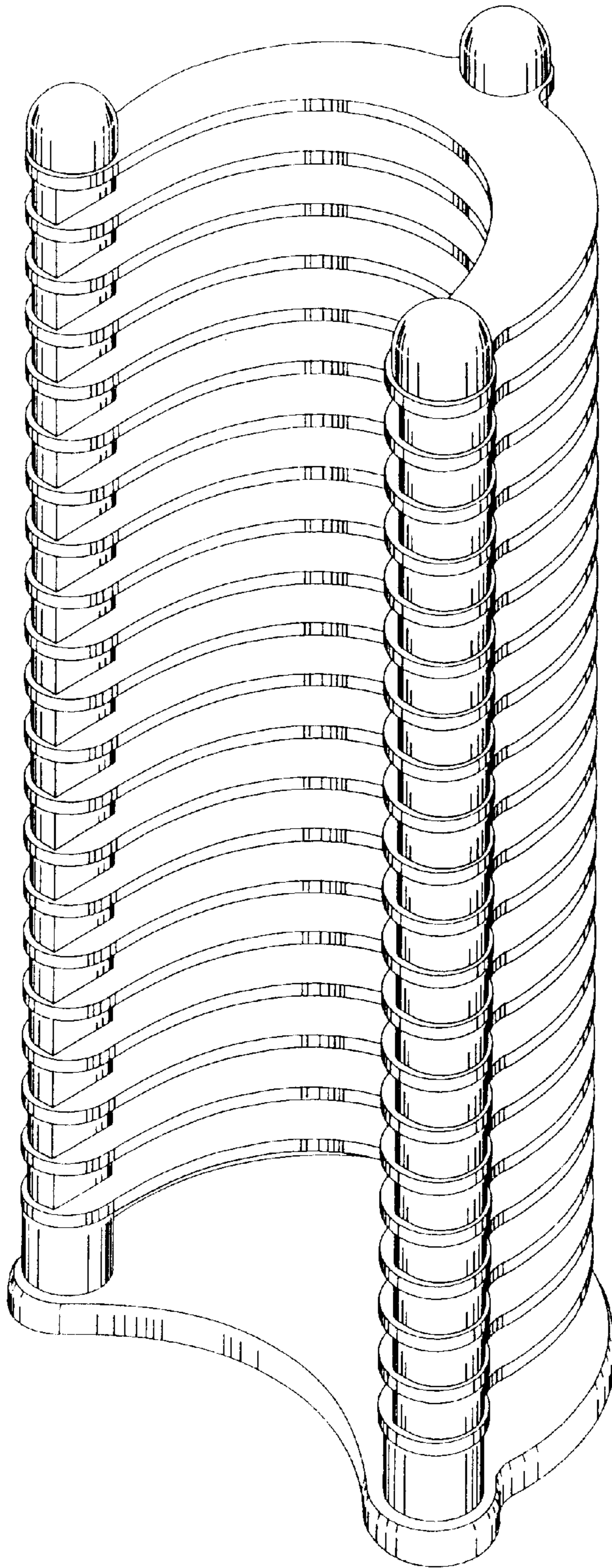


Fig. 1

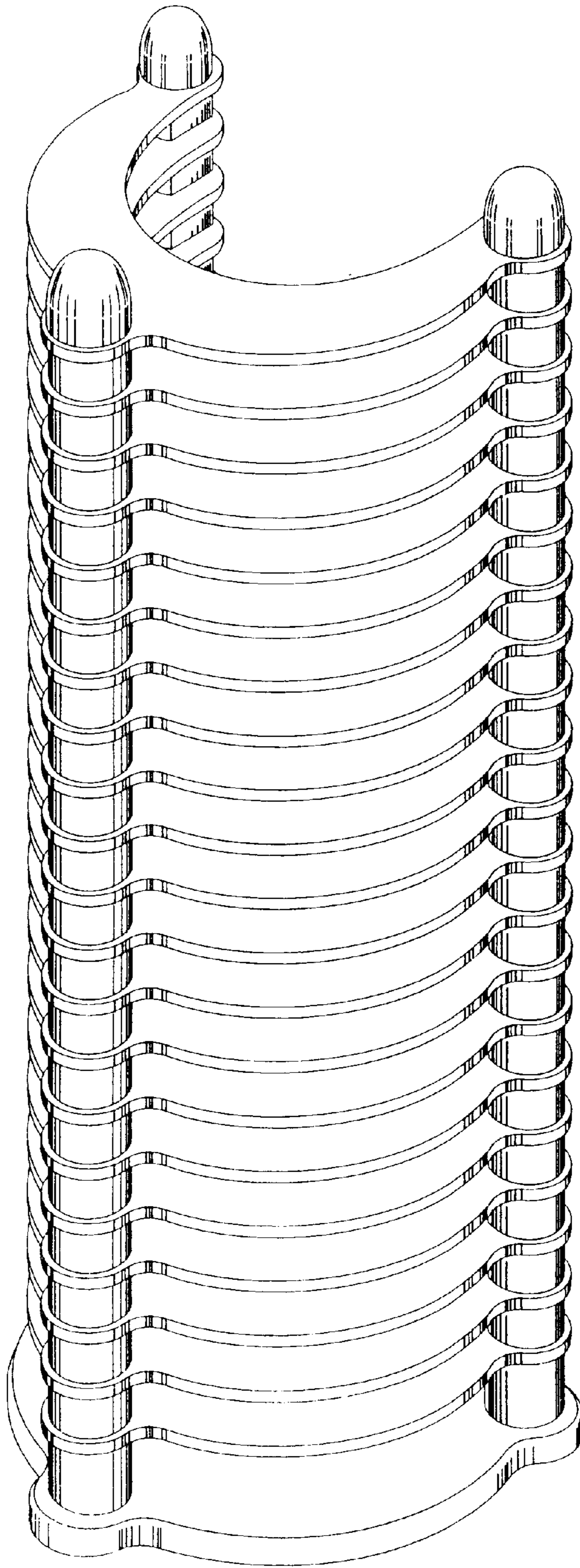


Fig. 2

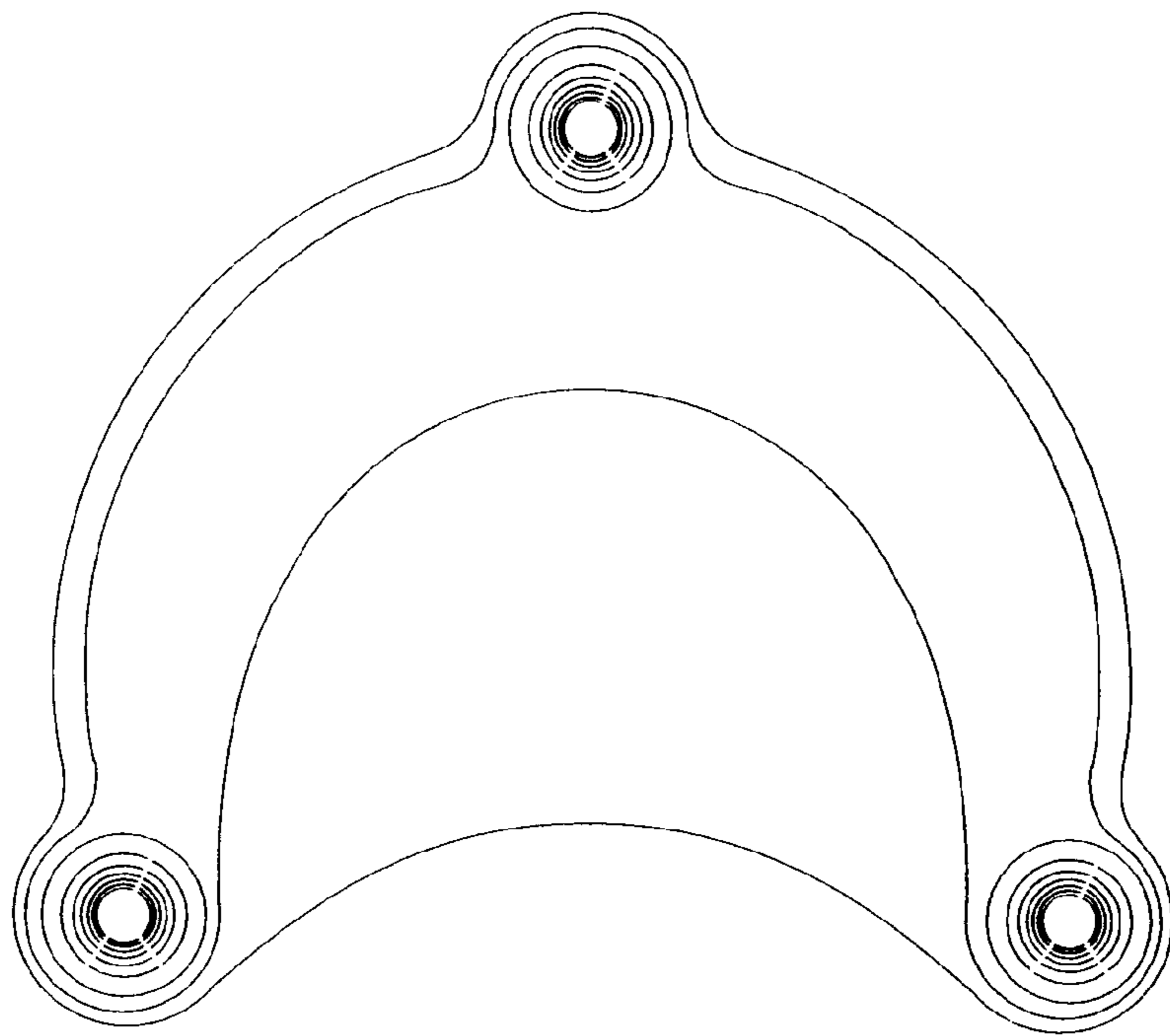


Fig. 3

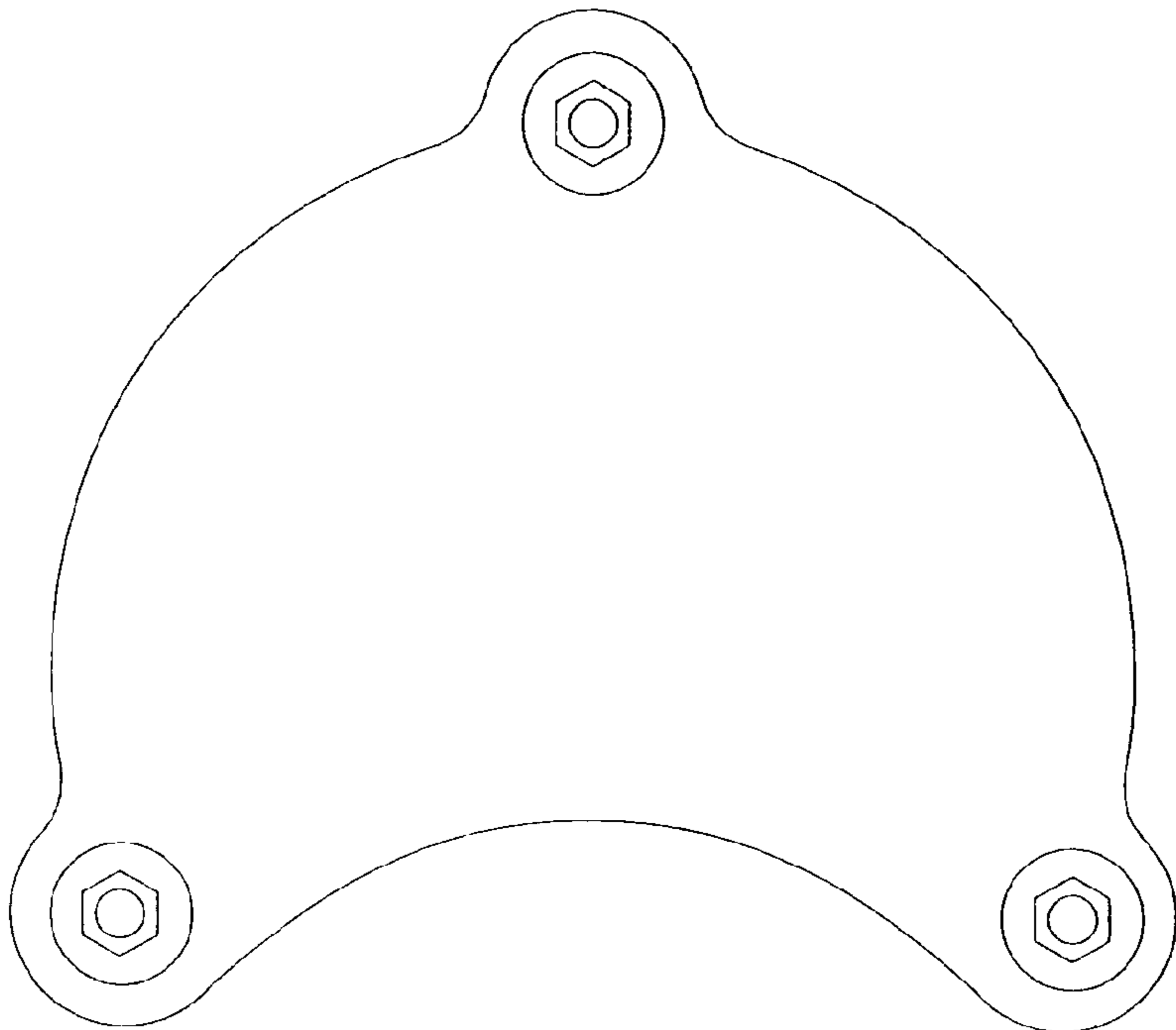


Fig. 4

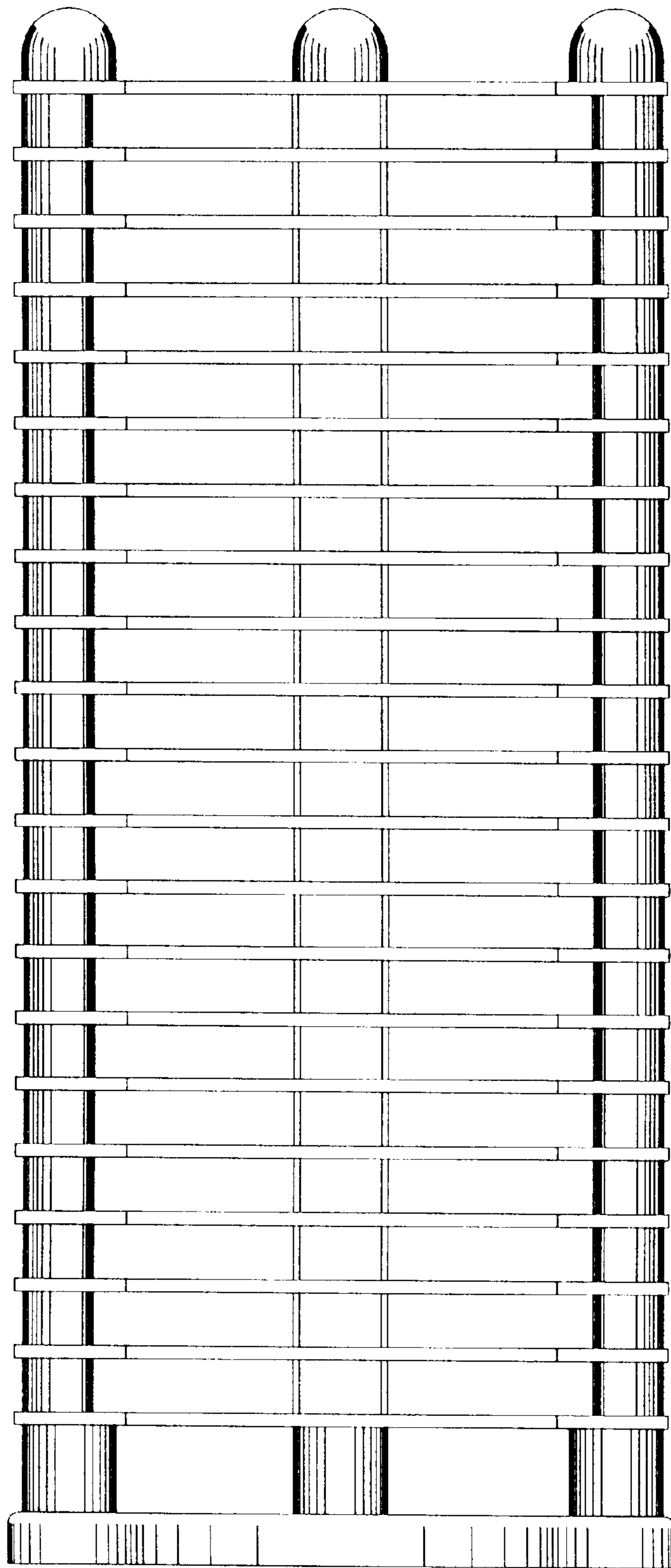


Fig. 5

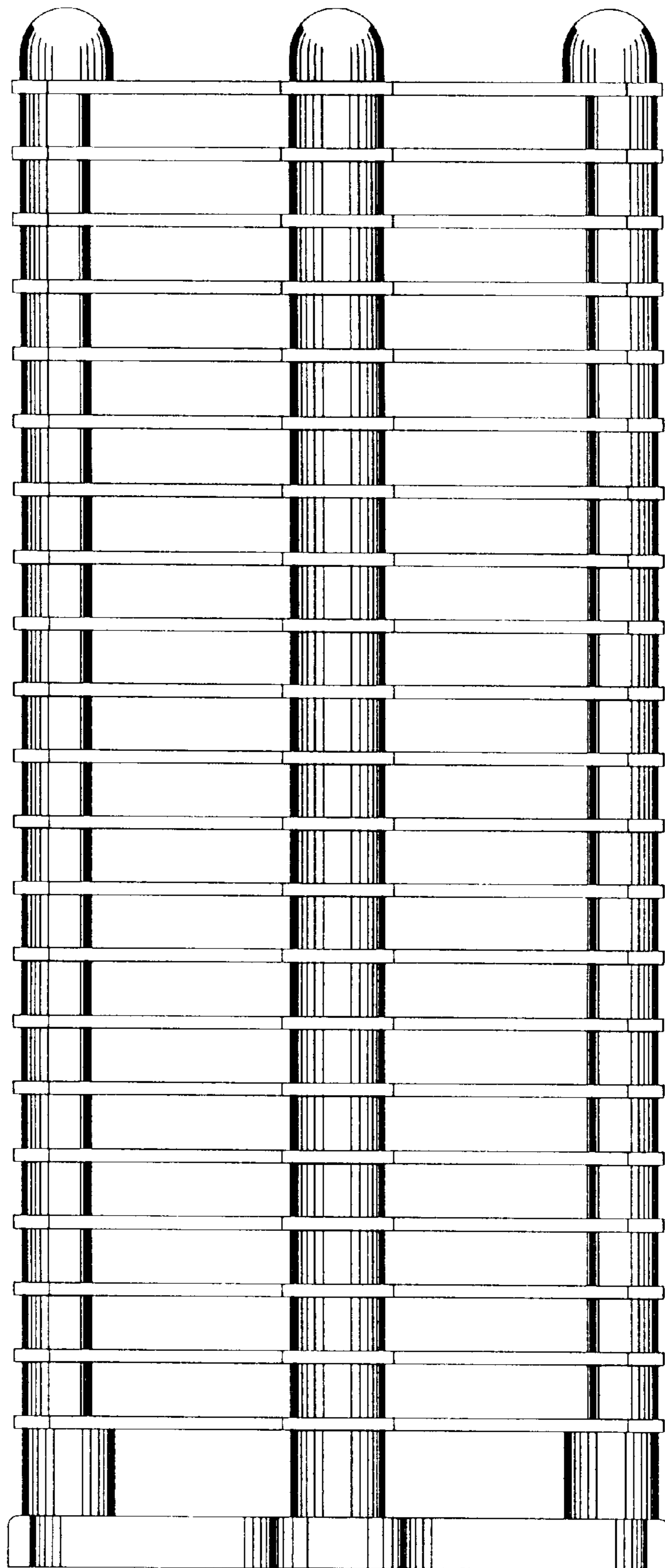


Fig. 6

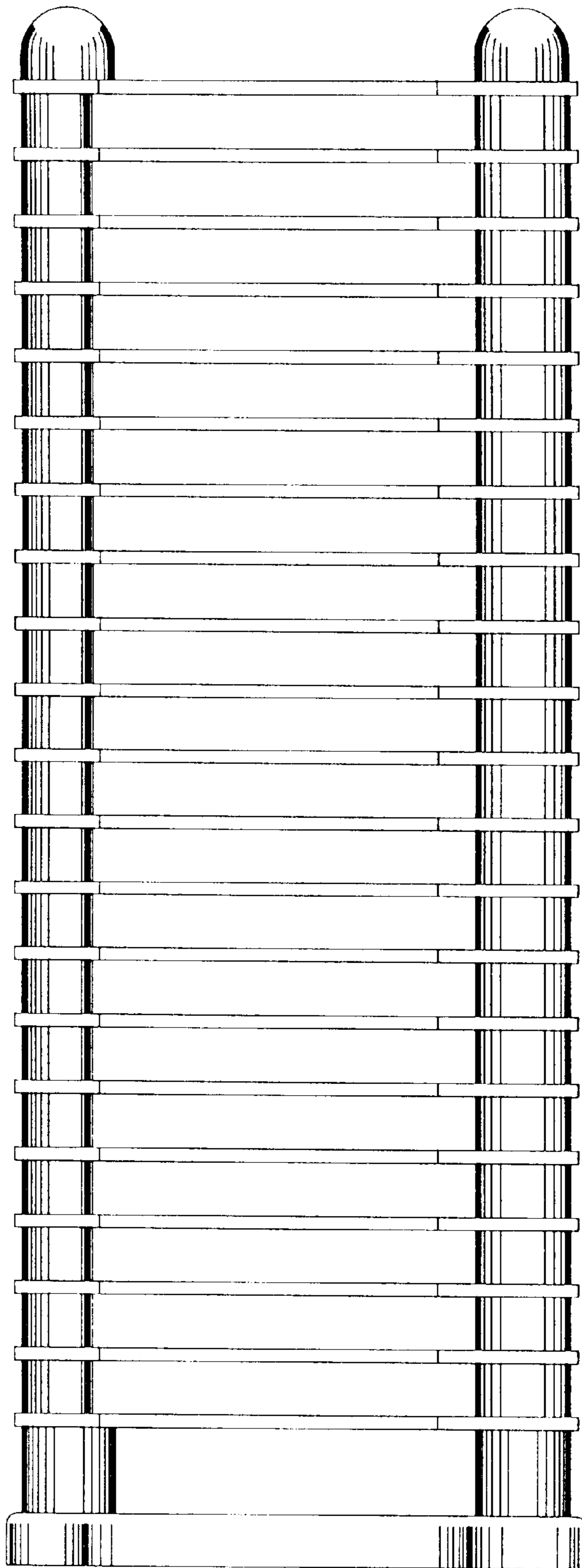


Fig. 7

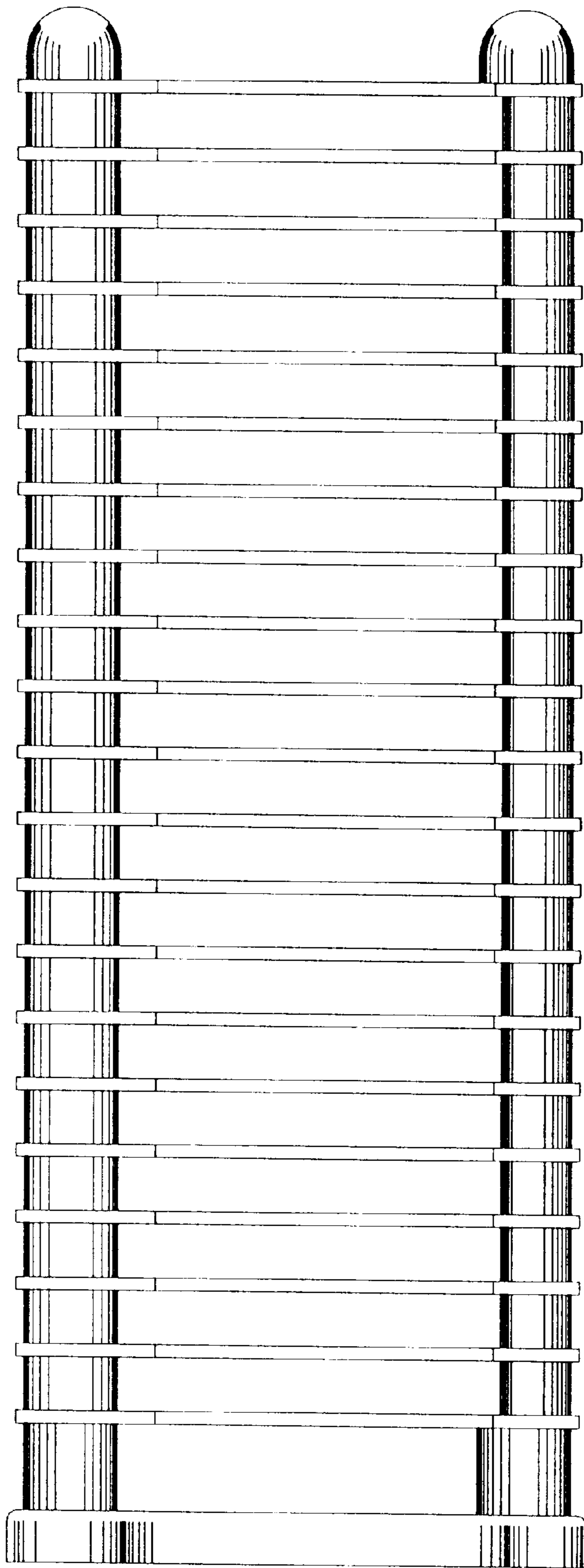


Fig. 8

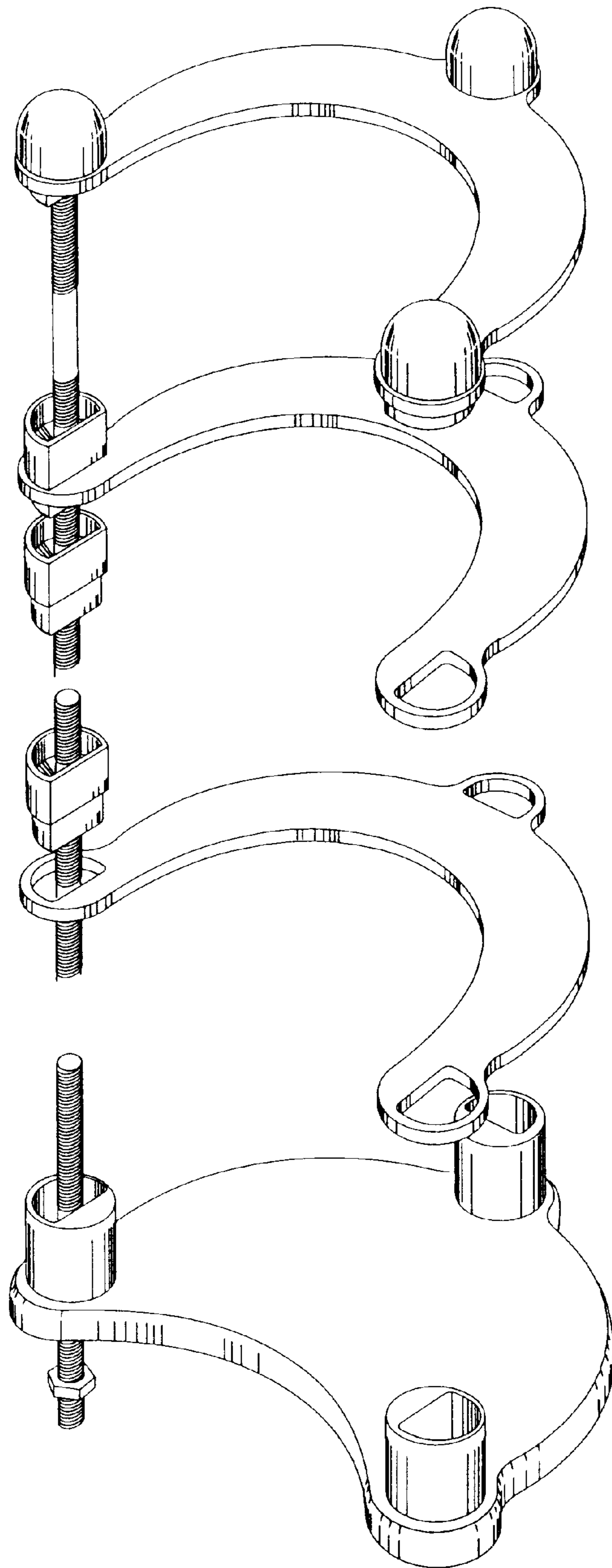


Fig. 9