



US00D436479S

(12) **United States Design Patent**  
**Williamson**

(10) **Patent No.:** **US D436,479 S**

(45) **Date of Patent:** **\*\* Jan. 23, 2001**

- (54) **GOLF BALL DISPLAY CABINET**
- (76) Inventor: **Earnest L. Williamson**, 16802  
Alabaster Ct., Houston, TX (US) 77083
- (\*\*) Term: **14 Years**
- (21) Appl. No.: **29/122,936**
- (22) Filed: **May 8, 2000**
- (51) **LOC (7) Cl.** ..... **08-08**
- (52) **U.S. Cl.** ..... **D6/552**
- (58) **Field of Search** ..... D6/552; 206/315.1,  
206/315.9; 211/13.1, 14, 86, 87, 89, 90,  
134; 312/245

- 3,136,419 \* 6/1964 Ruderian ..... 206/315.9 X
- 4,892,197 \* 1/1990 Slattery et al. .... 211/14
- 5,746,332 \* 5/1998 Kleinschmidt ..... 211/14 X

\* cited by examiner

*Primary Examiner*—Brian N. Vinson

(57) **CLAIM**

The ornamental design for a golf ball display cabinet, as shown and described.

**DESCRIPTION**

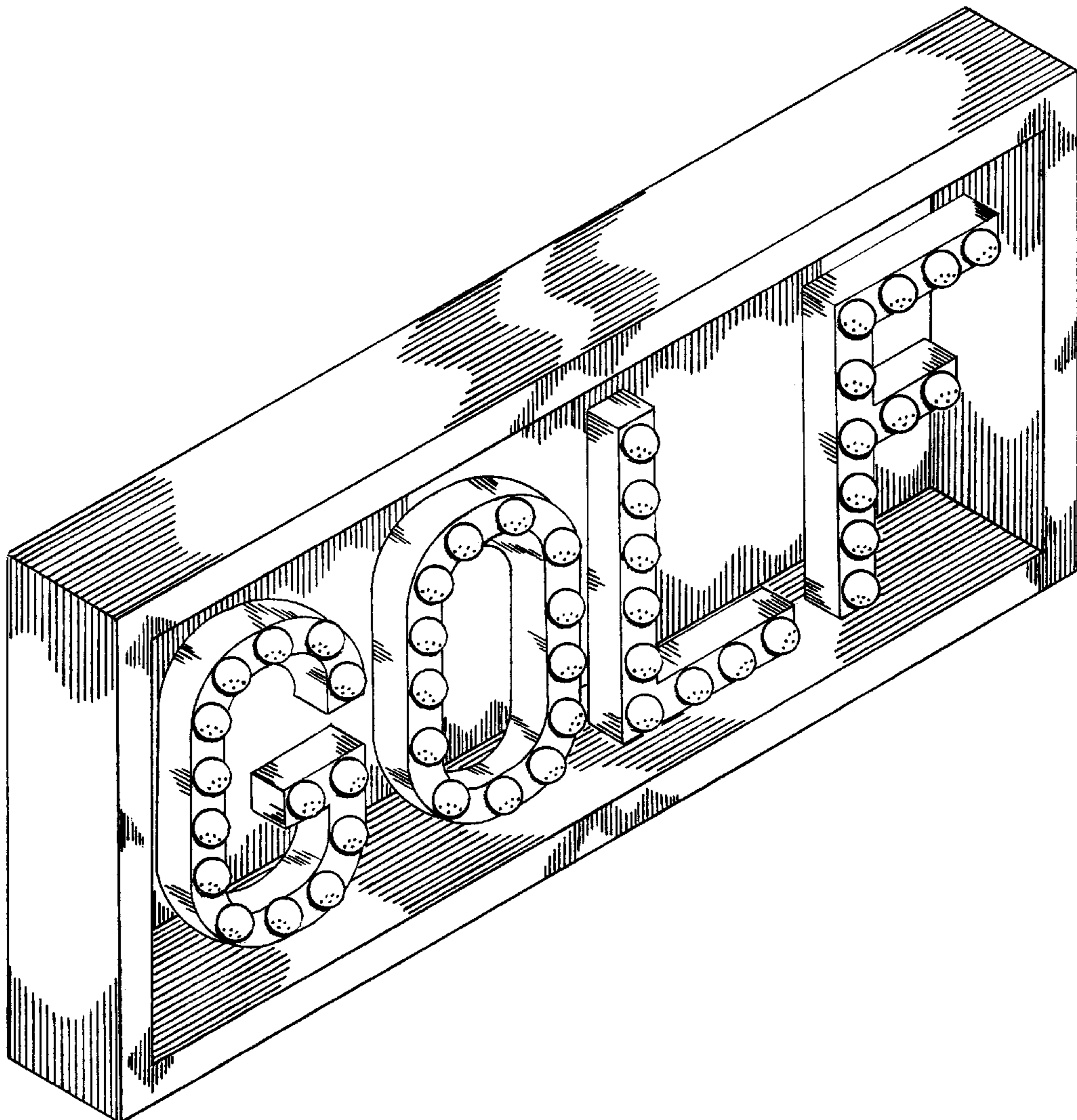
The claimed cabinet is used to display golf balls and could be hung on wall or placed on table/desk.

FIG. 1 is a perspective view of a golf ball display cabinet showing my new design, the undisclosed rear is unadorned; and,

FIG. 2 is a front elevational view thereof.

- (56) **References Cited**
- U.S. PATENT DOCUMENTS
- D. 366,584 \* 1/1996 Ellis ..... D6/552
- D. 421,865 \* 3/2000 Chen ..... D6/552

**1 Claim, 2 Drawing Sheets**



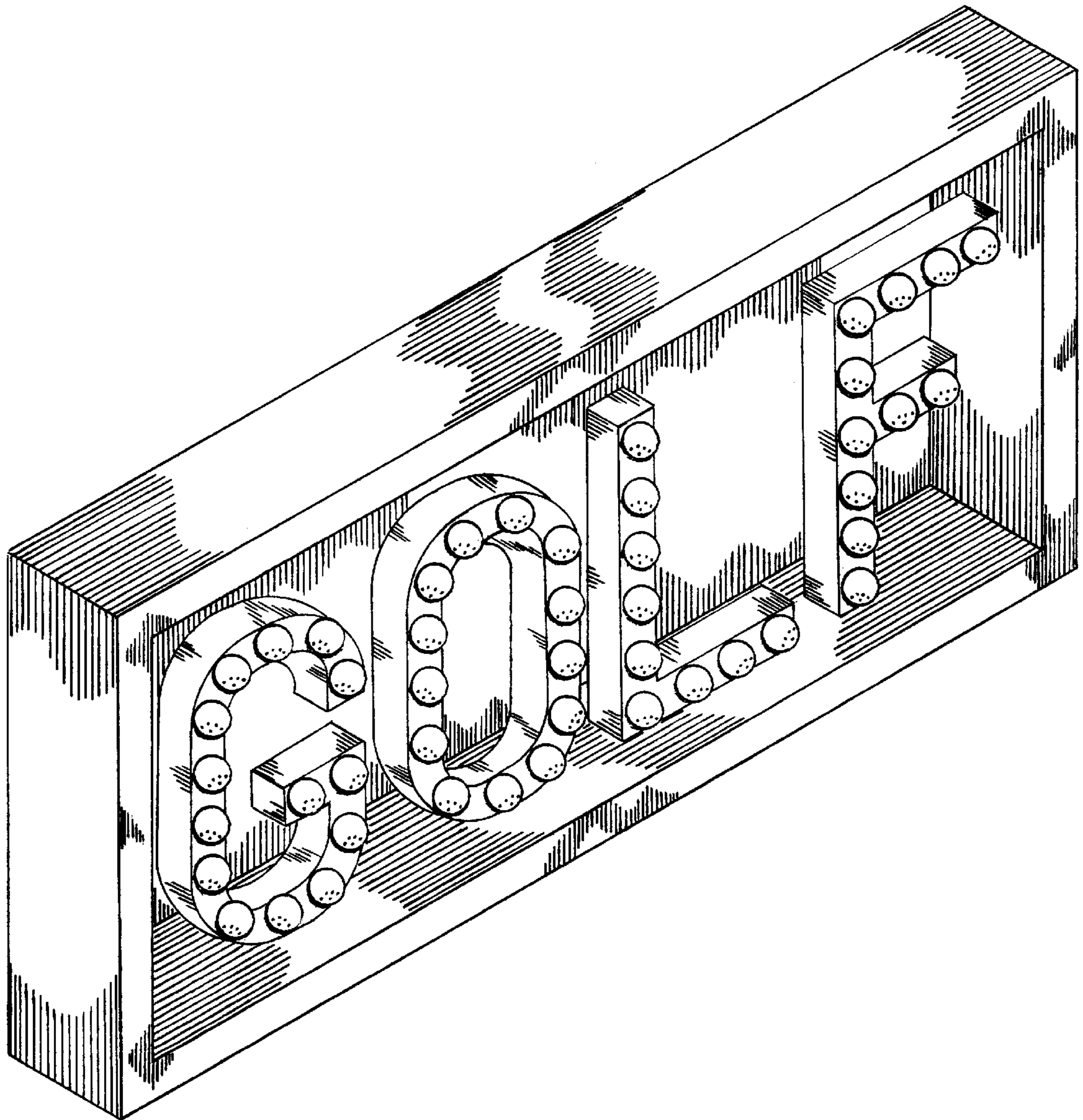


FIG. 1

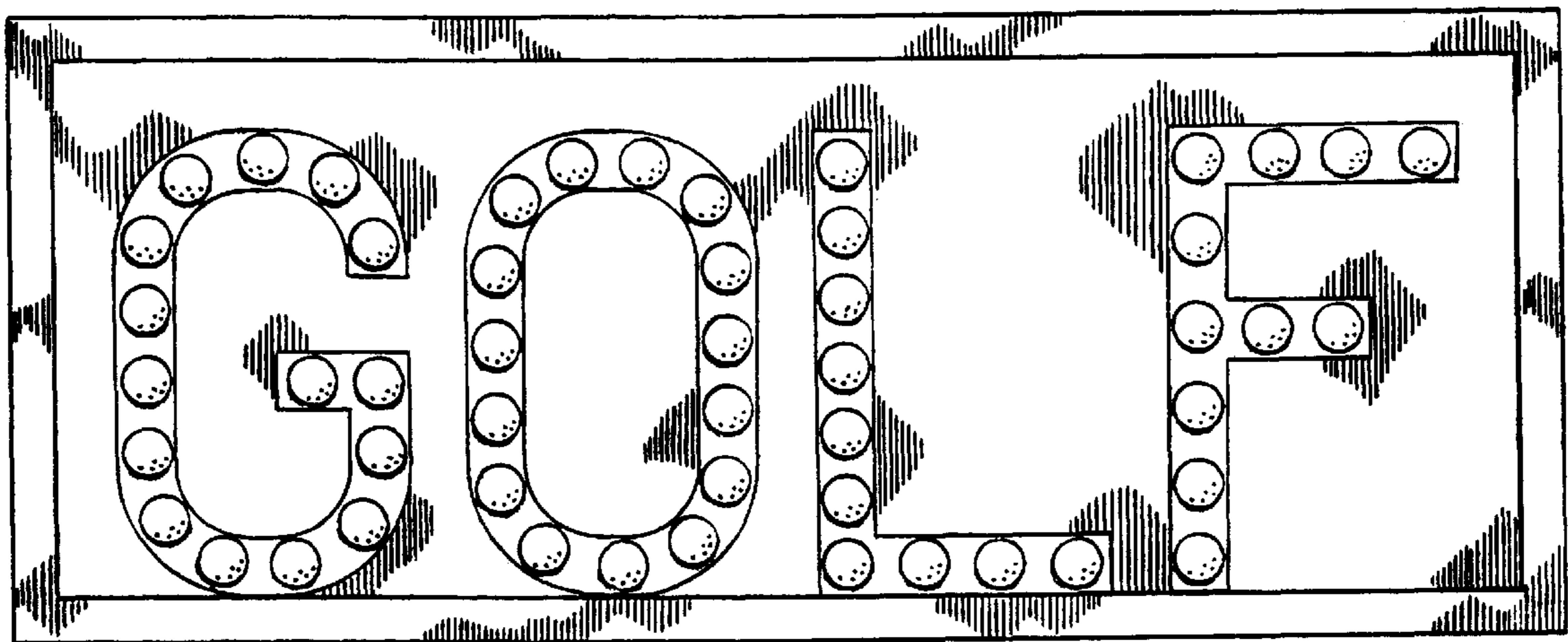


FIG. 2