



US00D436478S

(12) **United States Design Patent**
Mahlmann

(10) **Patent No.:** **US D436,478 S**

(45) **Date of Patent:** **** Jan. 23, 2001**

(54) **HOUSEHOLD ACCESSORY**

(75) Inventor: **Veit Mahlmann**, Hamburg (DE)

(73) Assignee: **Hewi Heinrich Wilke GmbH**, Bad Arolsen (DE)

(**) Term: **14 Years**

(21) Appl. No.: **29/100,803**

(22) Filed: **Feb. 19, 1999**

Related U.S. Application Data

(62) Division of application No. 29/076,533, filed on Sep. 12, 1997, now Pat. No. Des. 405,997.

(30) **Foreign Application Priority Data**

Mar. 13, 1997 (DE) M 97 02 486

(51) **LOC (7) Cl.** **23-02**

(52) **U.S. Cl.** **D6/535**

(58) **Field of Search** D6/536-540, 531, D6/535, 524; 206/77.1; 211/13.1, 86-90, 126, 134; 248/311.1, 315, 309.1

(56) **References Cited**

U.S. PATENT DOCUMENTS

- D. 278,587 * 4/1985 Thompson D6/540
- D. 283,283 * 4/1986 Sollen D6/535
- D. 286,356 * 10/1986 Buseell D6/536
- D. 356,708 * 3/1995 Shames et al. D6/536 X
- D. 394,773 * 6/1998 Patel D6/536

- D. 407,248 * 3/1999 Scholpp D6/535
- D. 416,153 * 11/1999 Chen D6/535
- D. 425,742 * 5/2000 Duggan D6/535

* cited by examiner

Primary Examiner—Brian N. Vinson

(74) *Attorney, Agent, or Firm*—Michael J. Striker

(57) **CLAIM**

The ornamental design for a household accessory, as shown and described.

DESCRIPTION

FIG. 1 is a top, front, and left side perspective view of a first embodiment of a household accessory showing my new design;

FIG. 2 is a front elevational view thereof;

FIG. 3 is a top plan view thereof;

FIG. 4 is a bottom plan view thereof;

FIG. 5 is a right side elevational view thereof;

FIG. 6 is a left side elevational view thereof;

FIG. 7 is a rear elevational view thereof;

FIG. 8 is a top, front, and left side perspective view of a second embodiment of a household accessory showing my new design;

FIG. 9 is a front elevational view thereof;

FIG. 10 is a top plan view thereof;

FIG. 11 is a bottom plan view thereof;

FIG. 12 is a right side elevational view thereof;

FIG. 13 is a left side elevational view thereof; and,

FIG. 14 is a rear elevational view thereof.

1 Claim, 3 Drawing Sheets

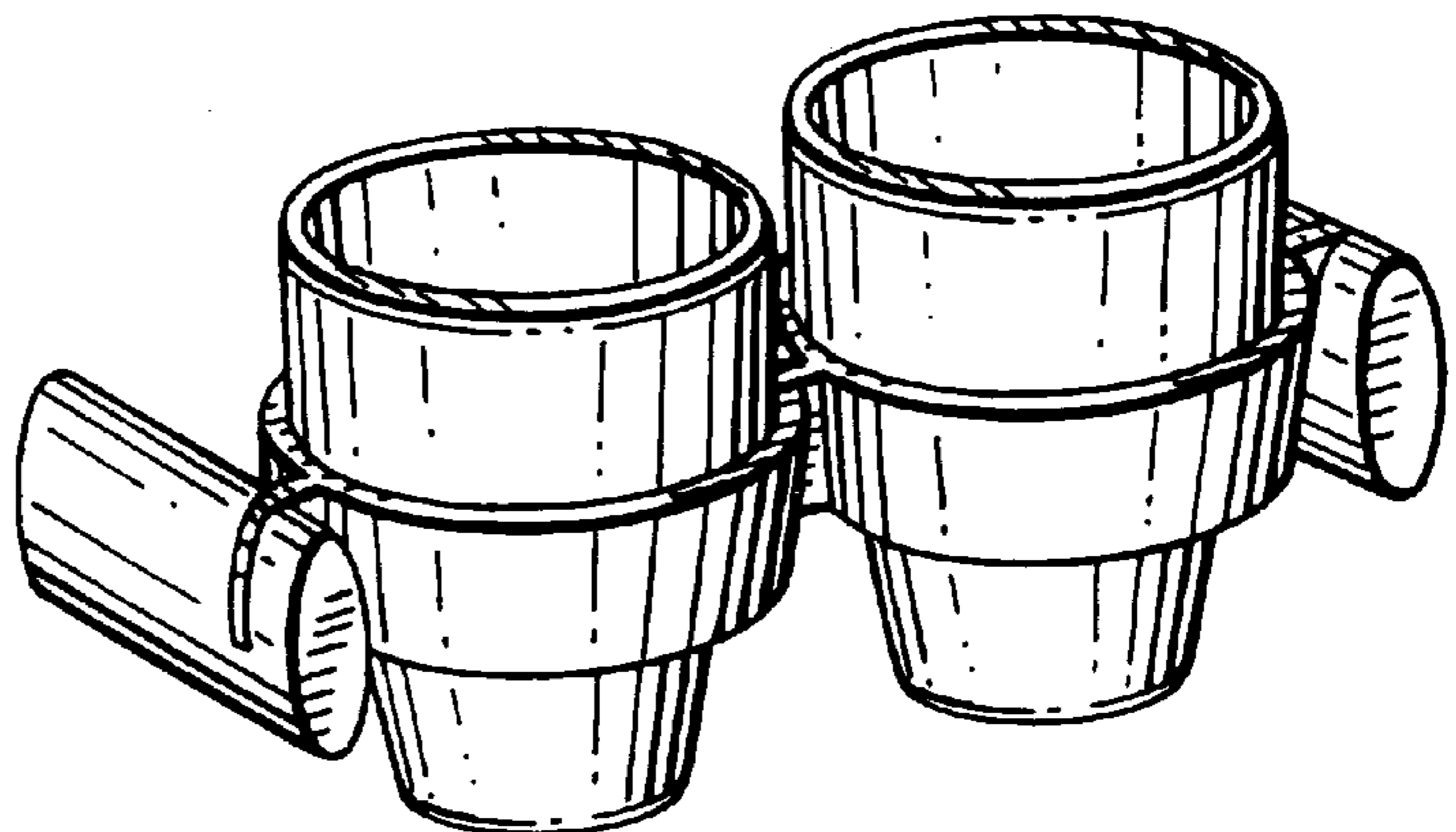
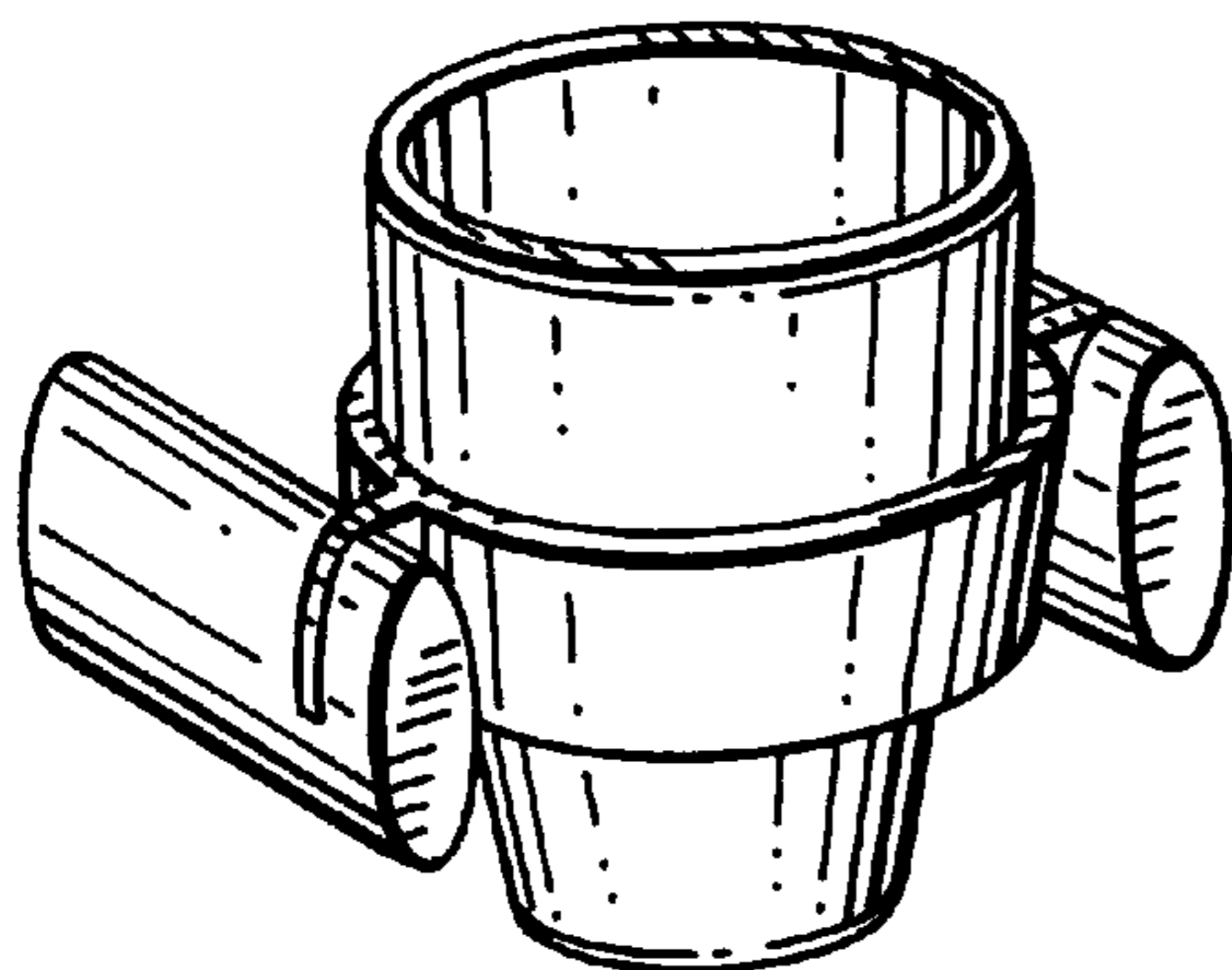


FIG. 1

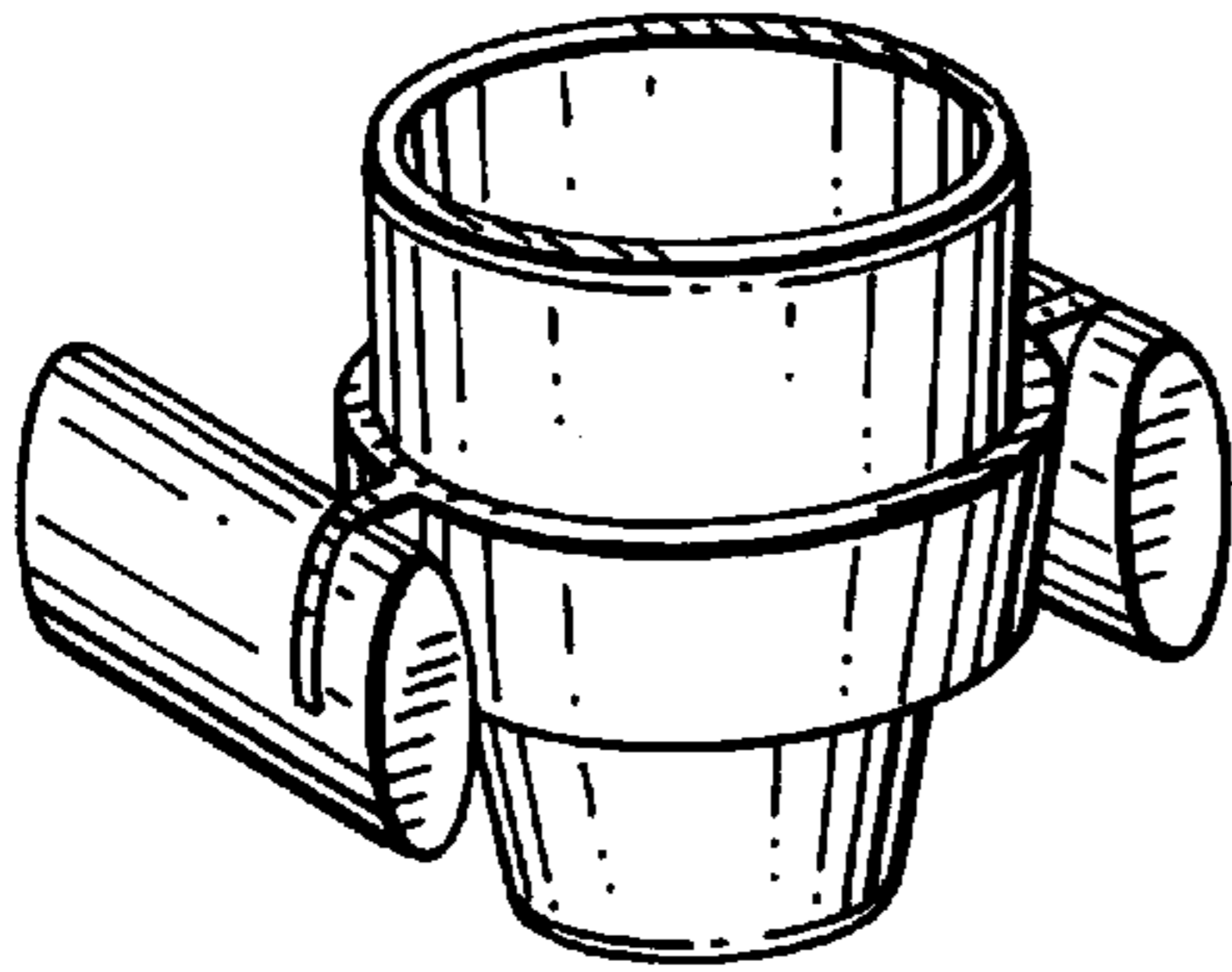


FIG. 2

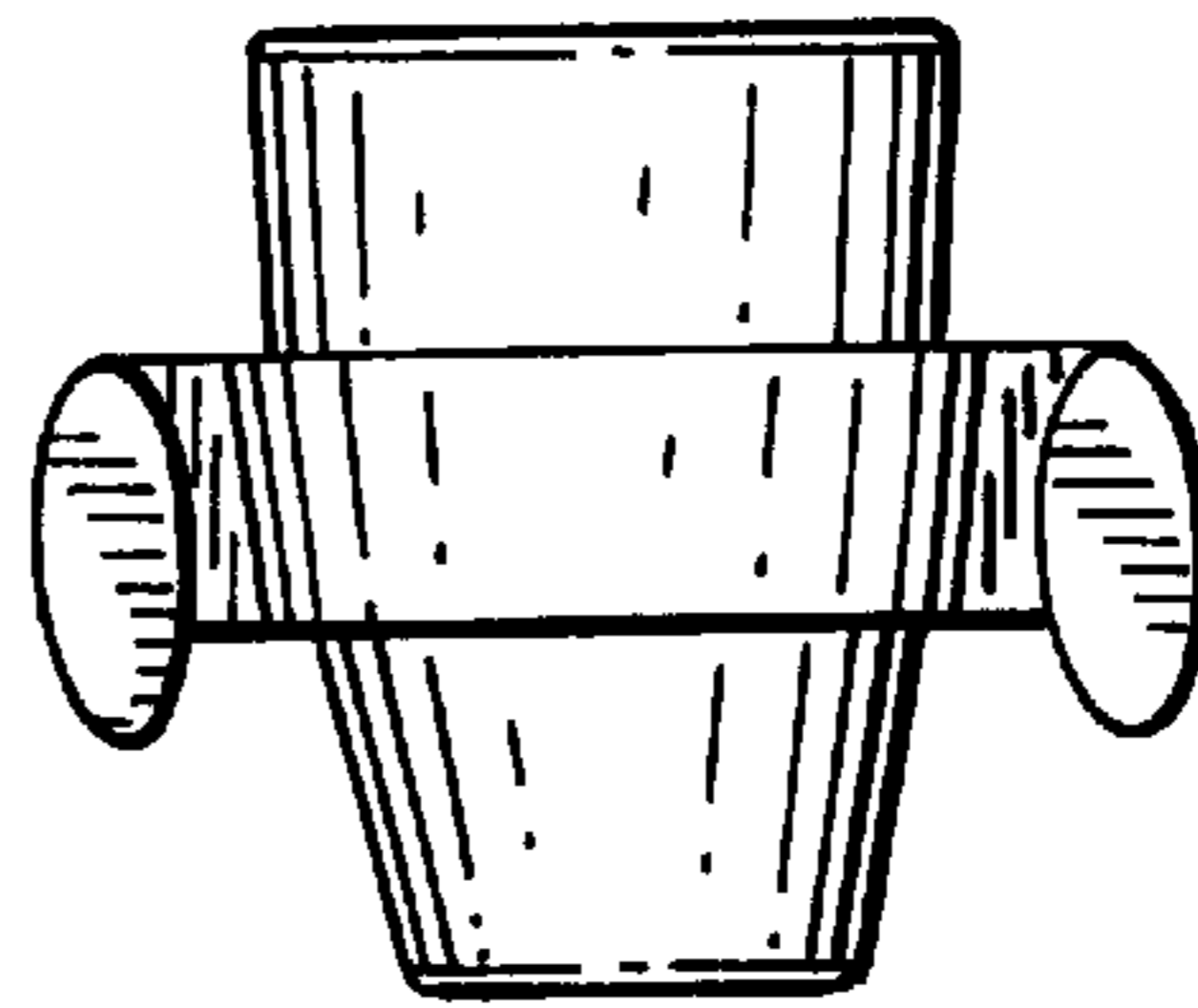


FIG. 4

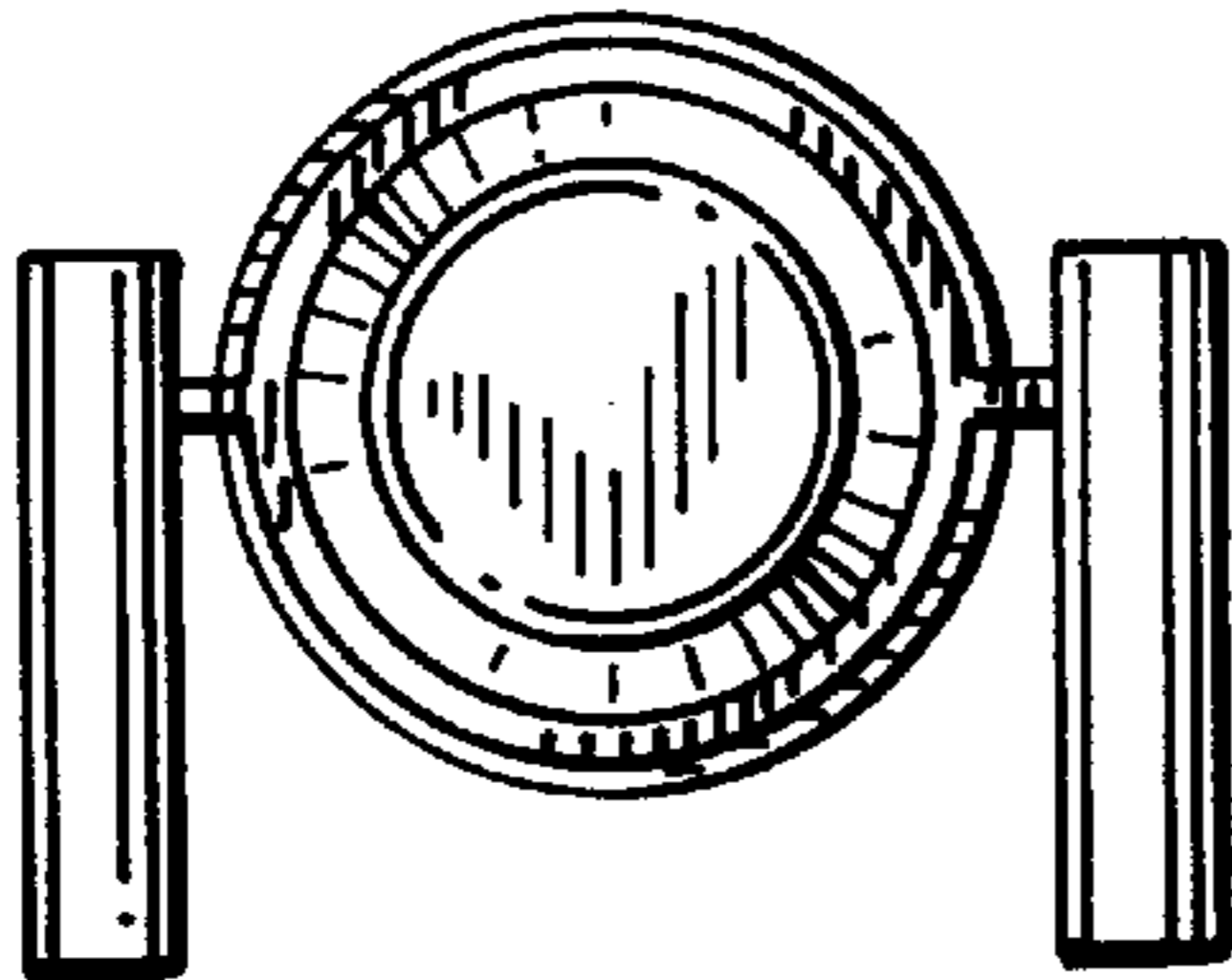


FIG. 3

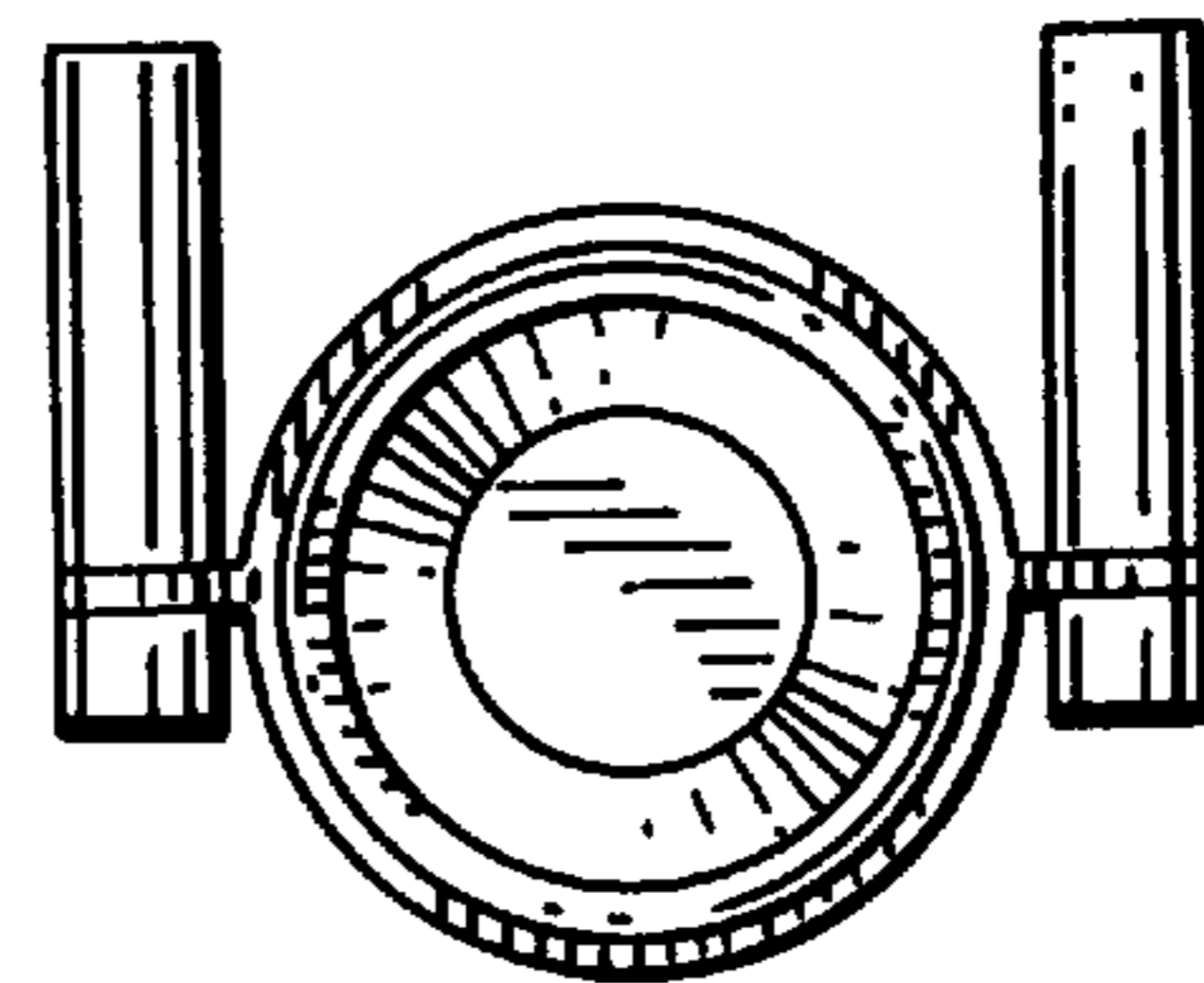


FIG. 5

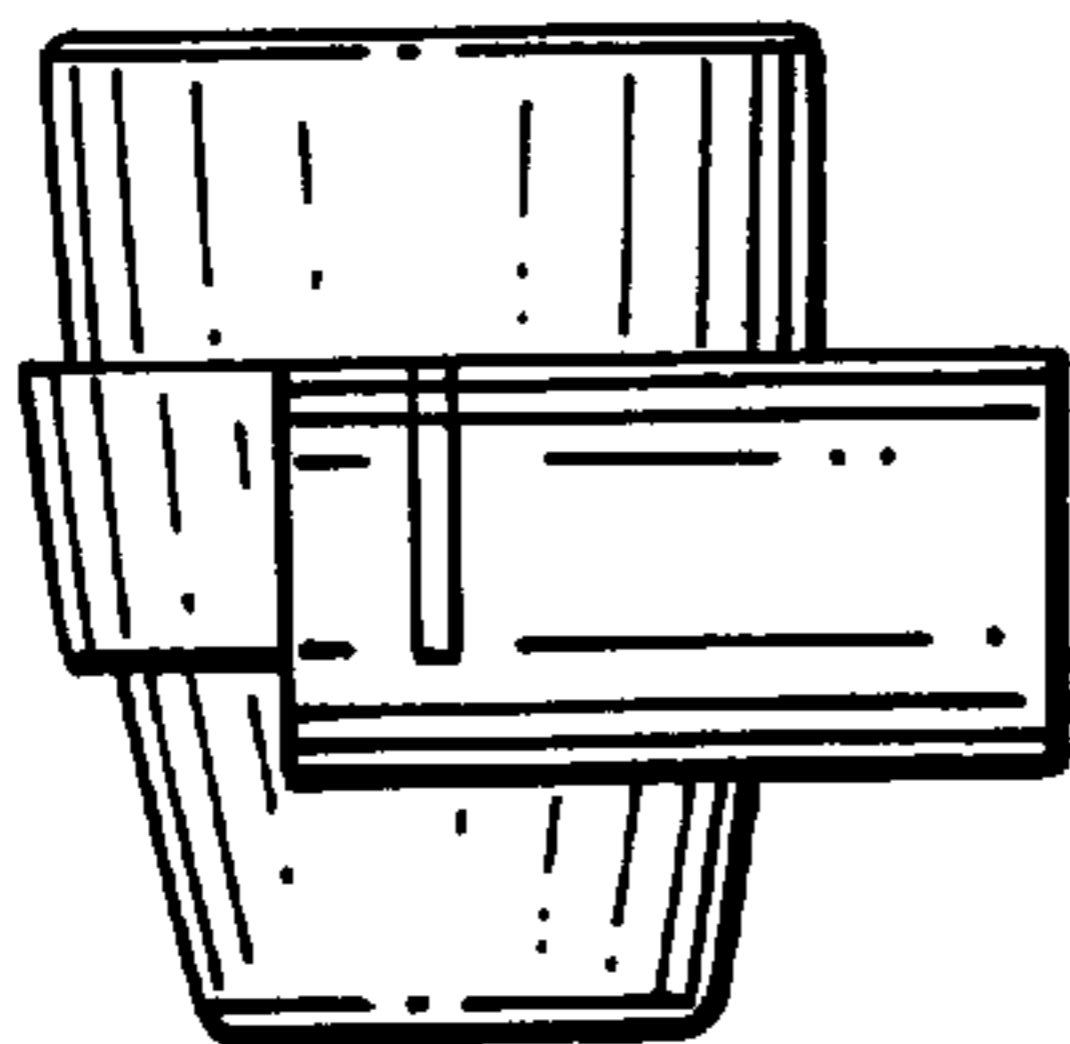


FIG. 6

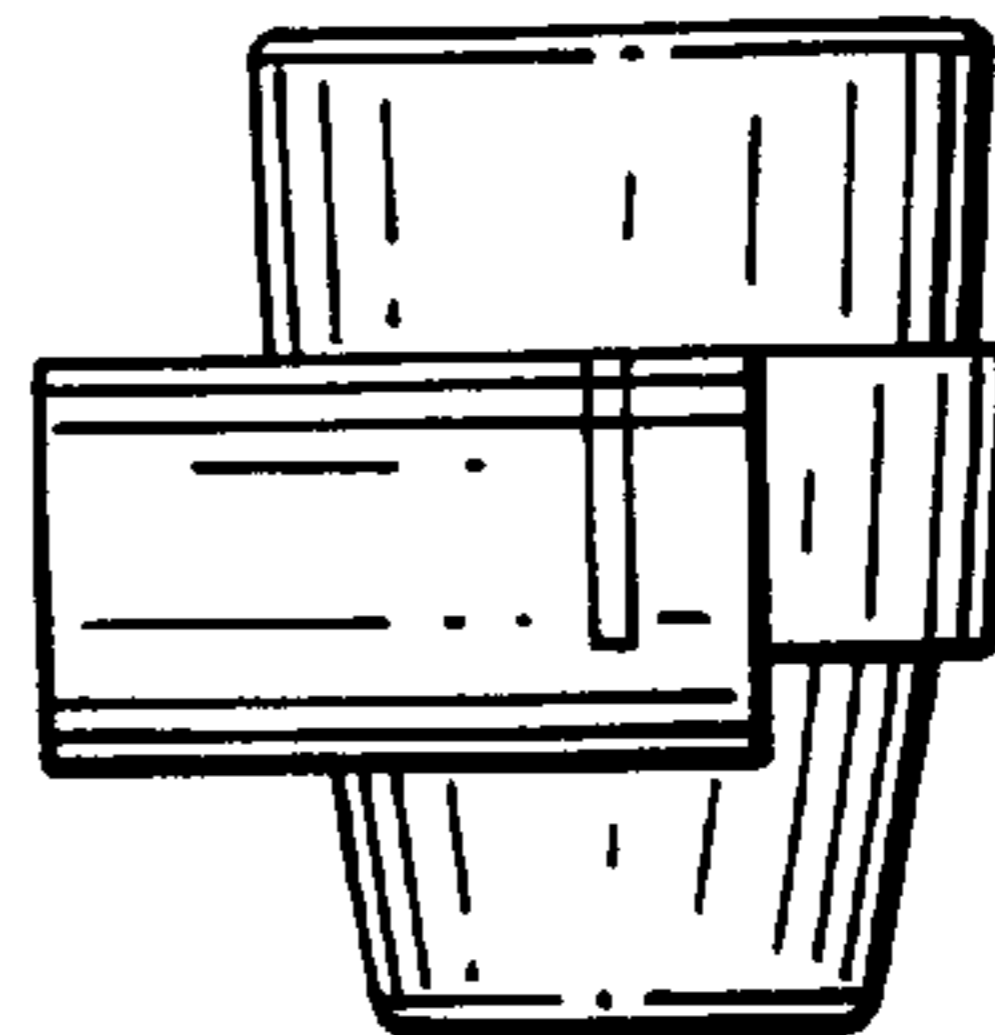
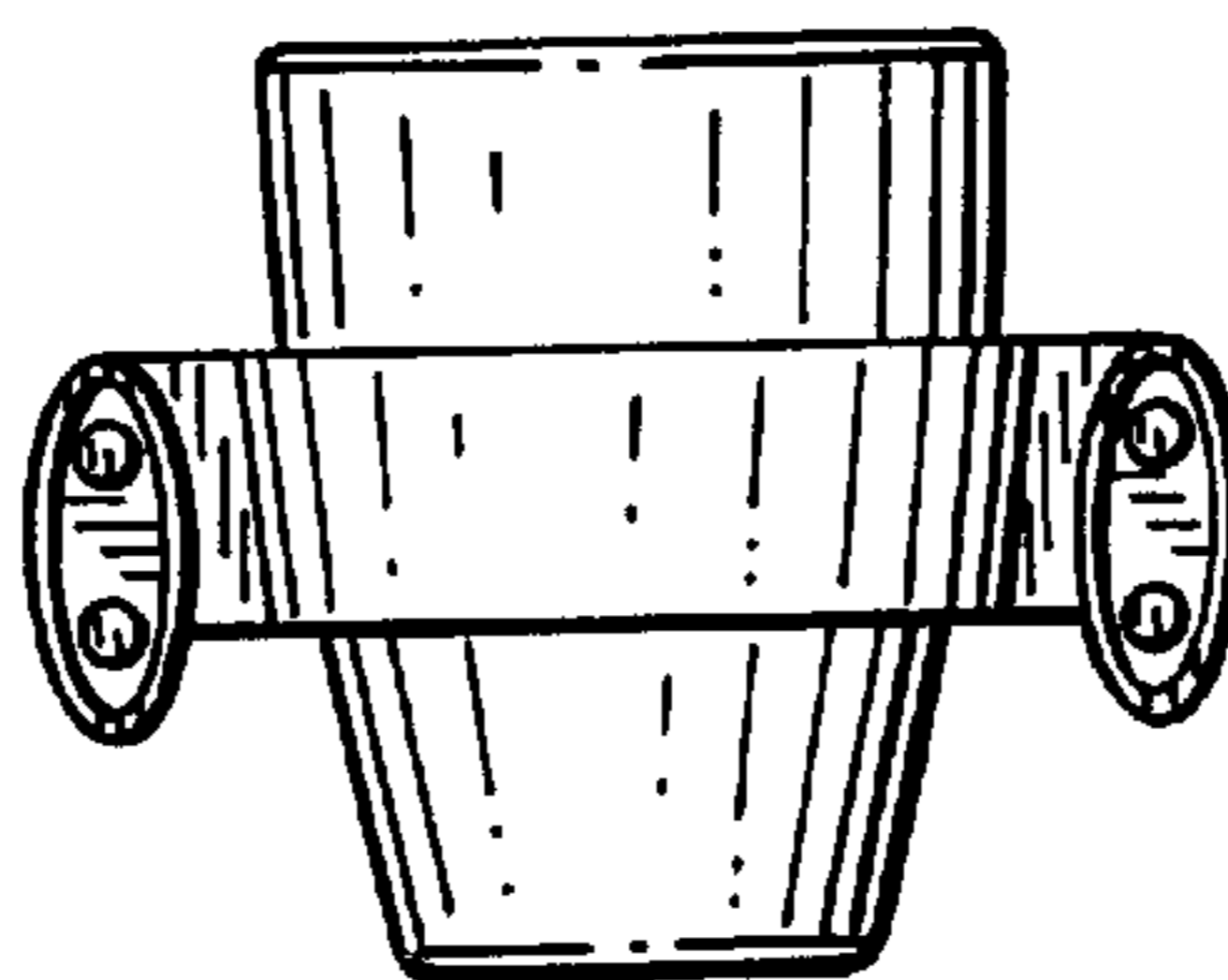


FIG. 7



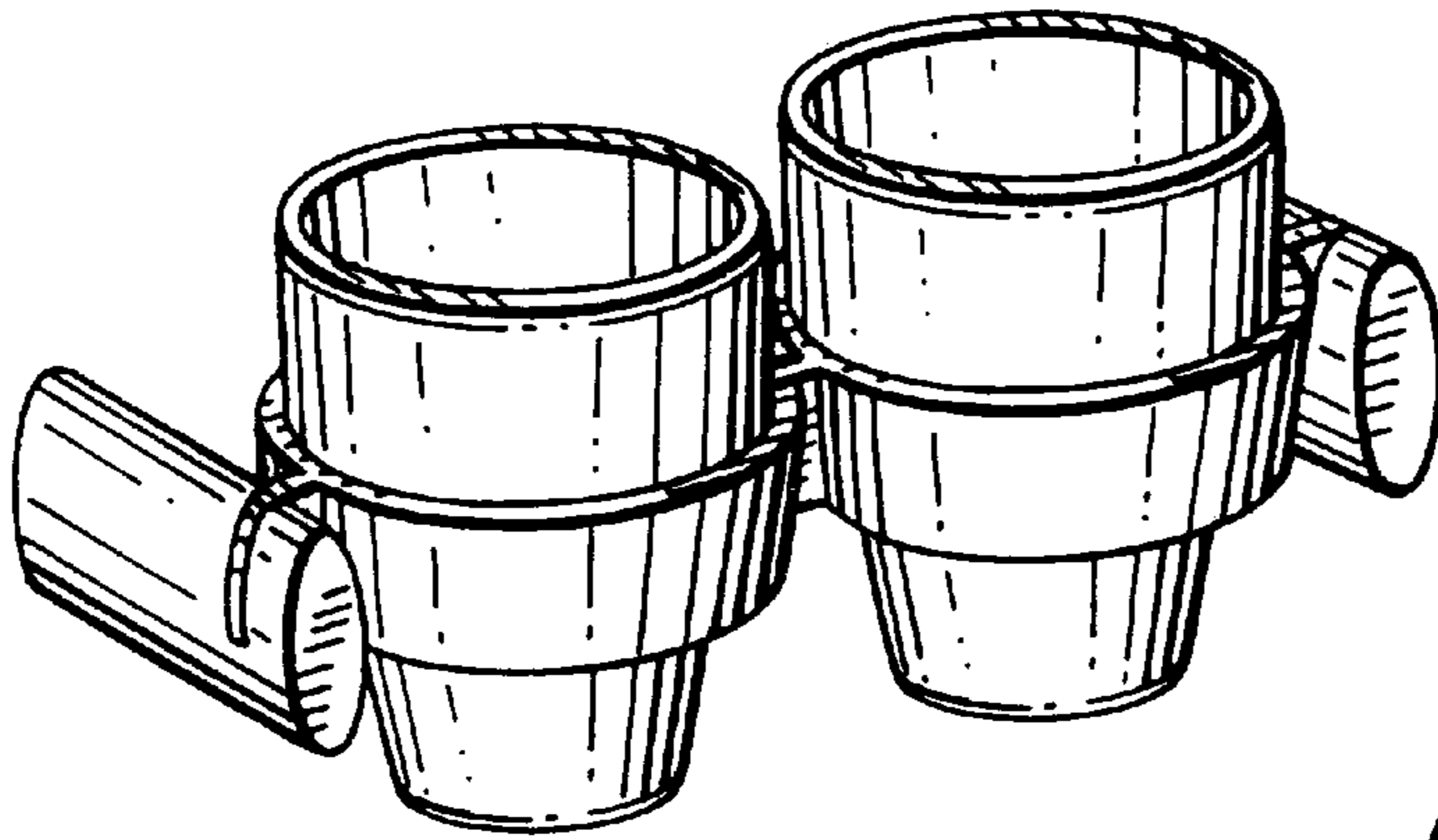


FIG. 8

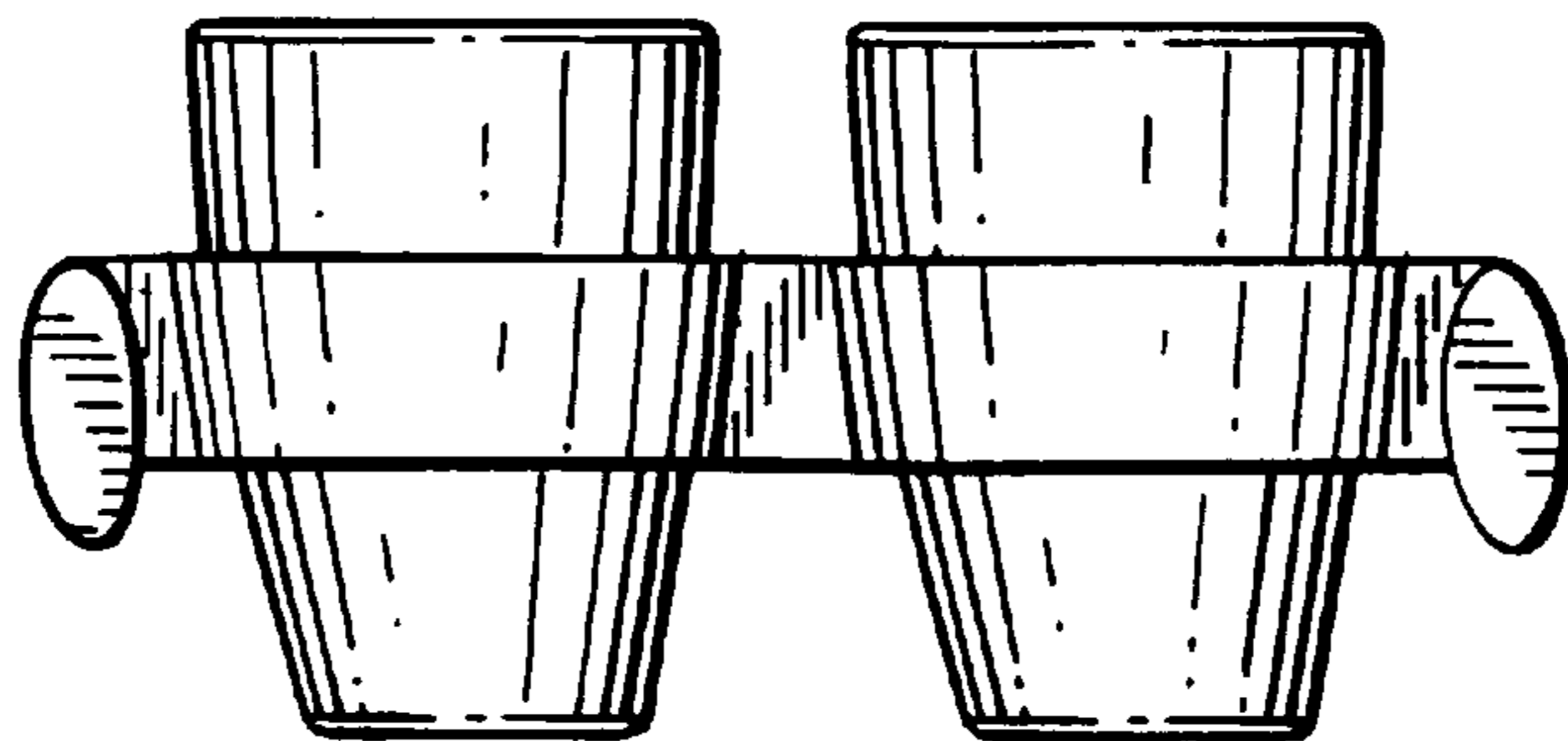


FIG. 9

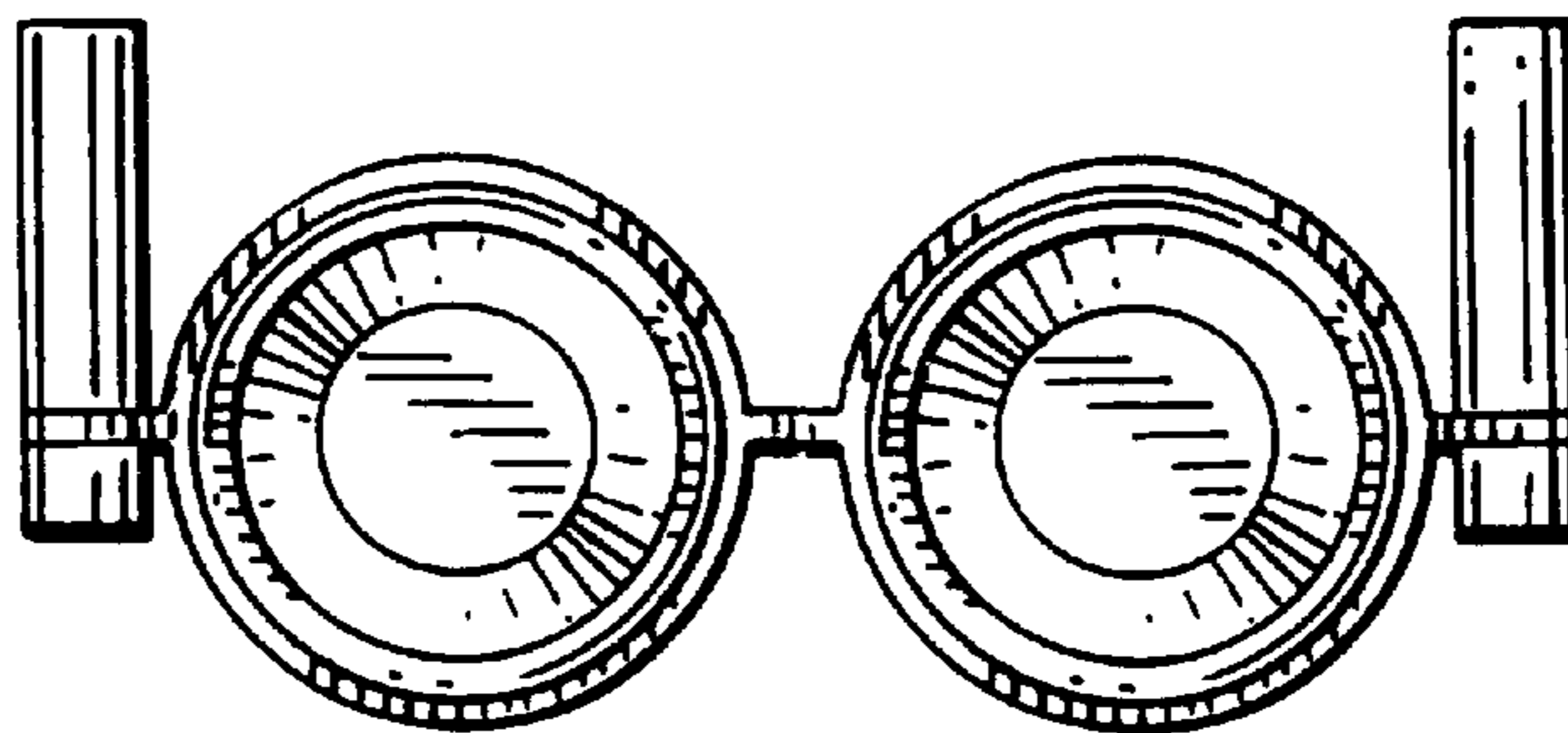


FIG. 10

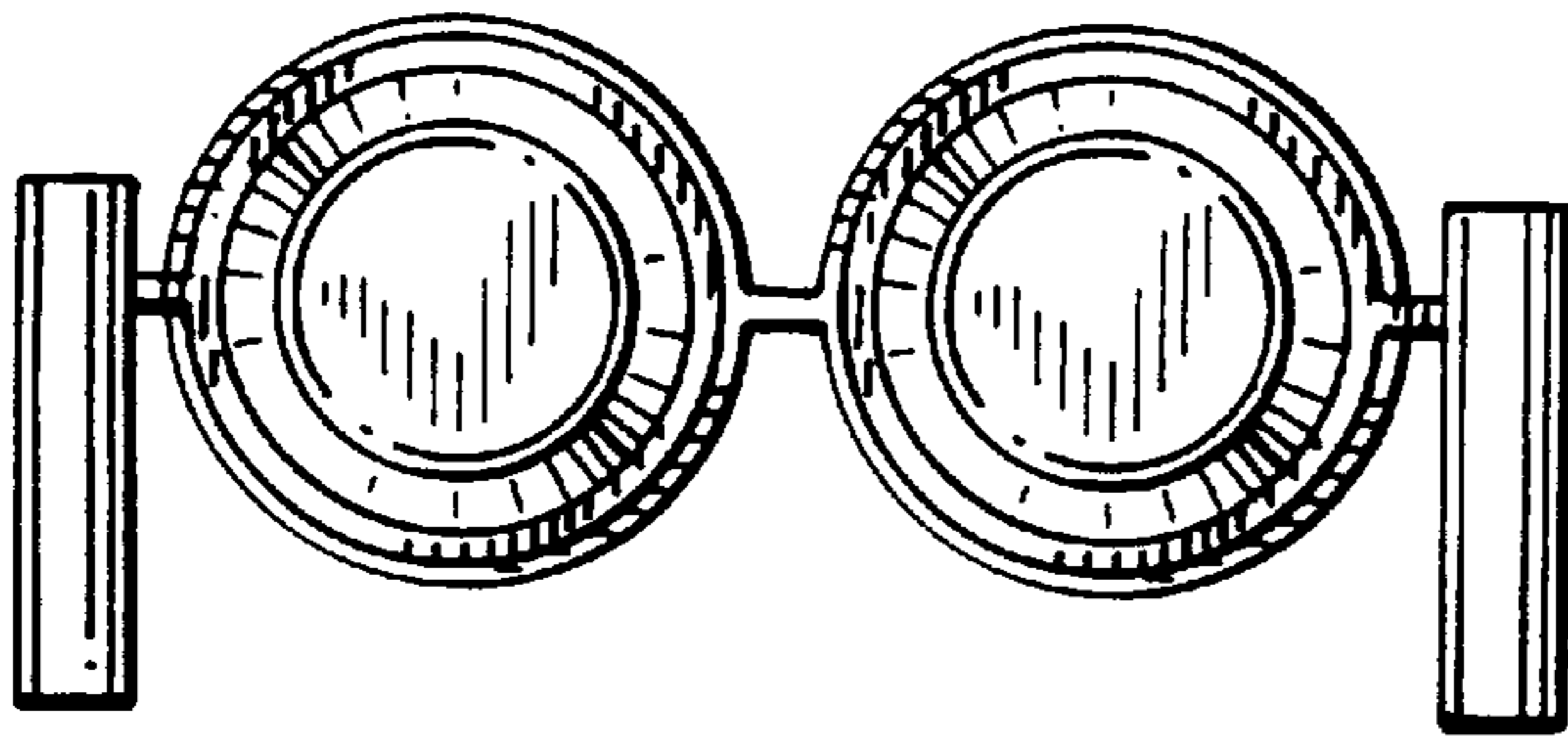


FIG. 11

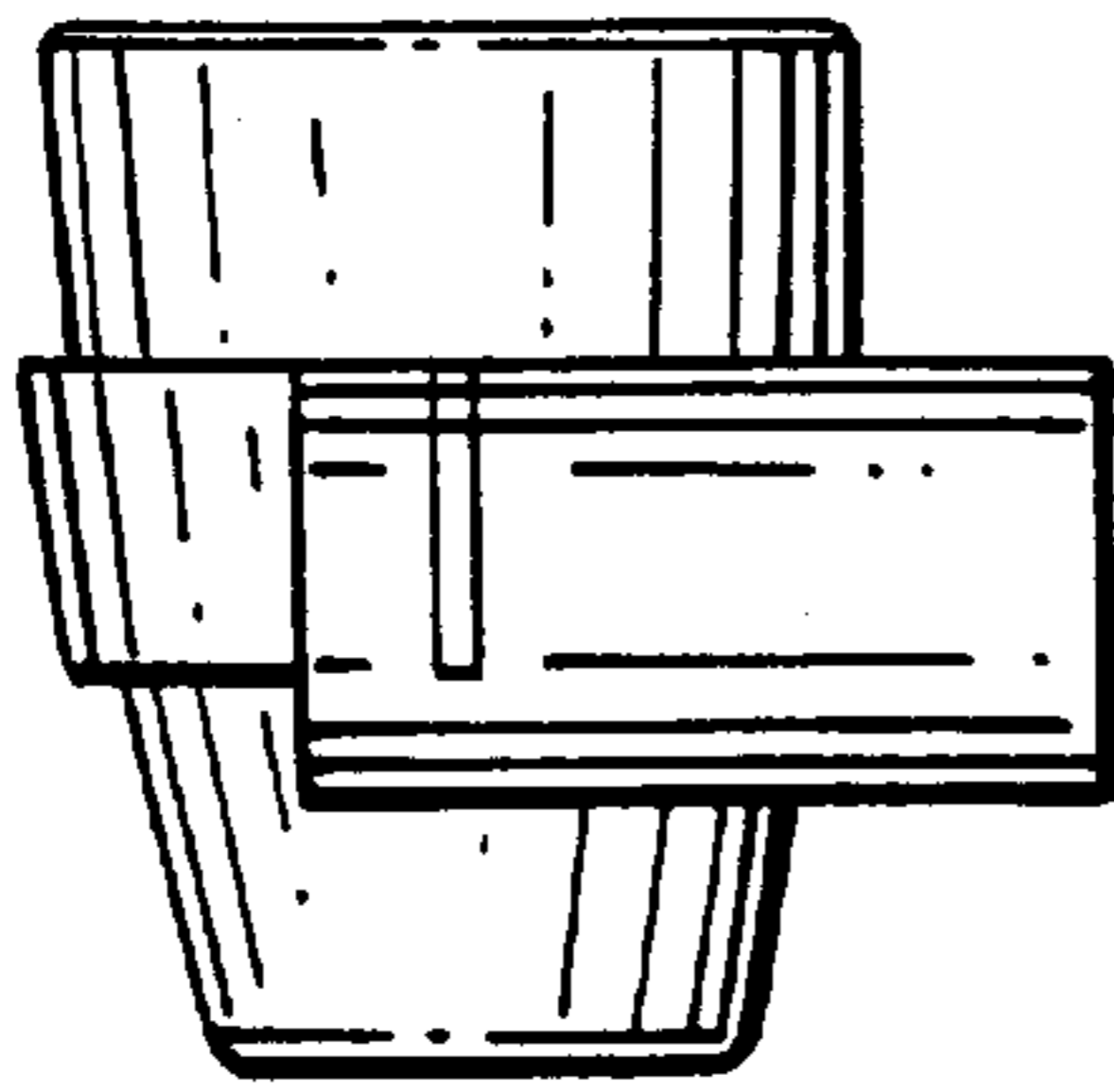


FIG. 12

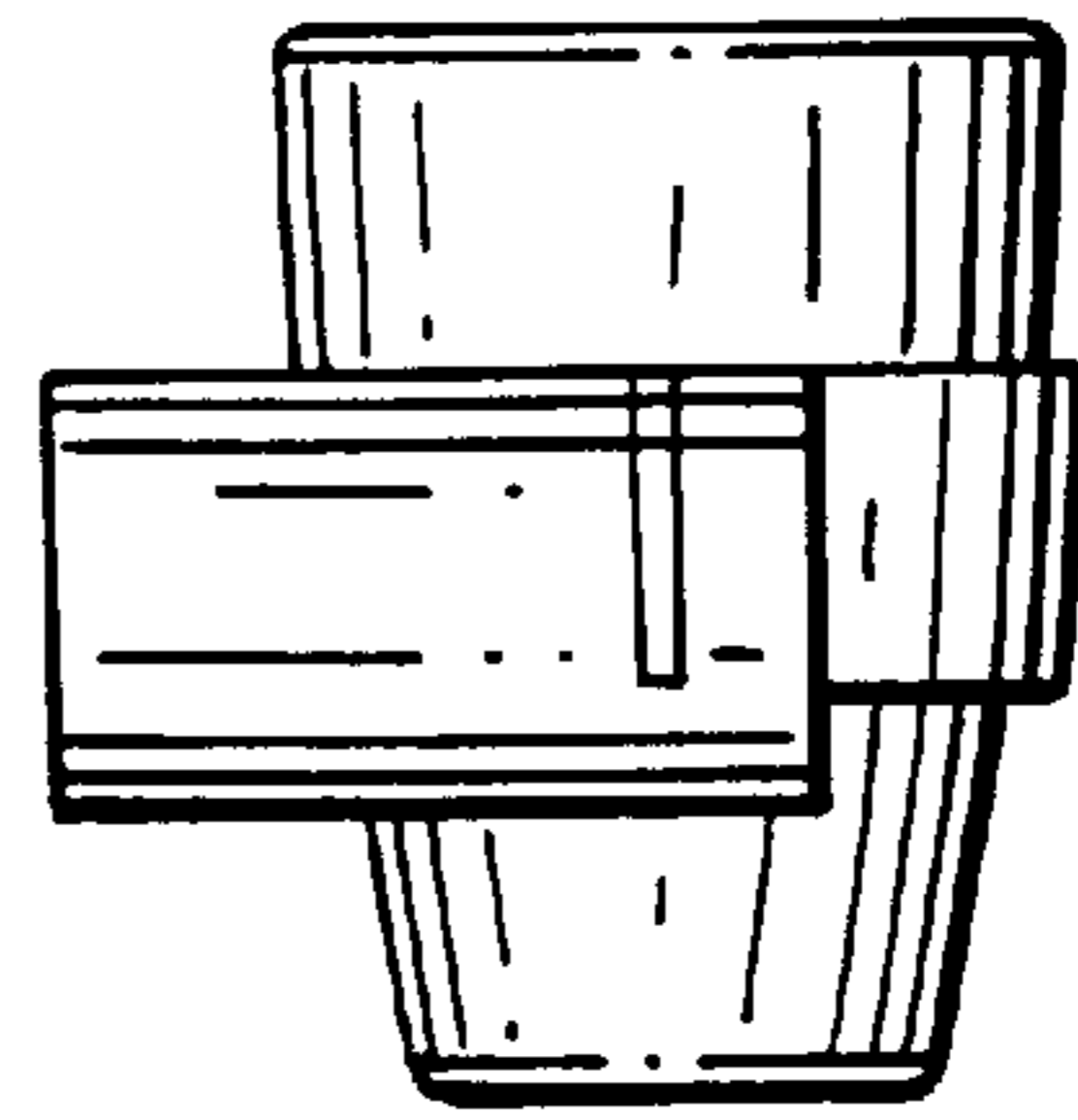


FIG. 13

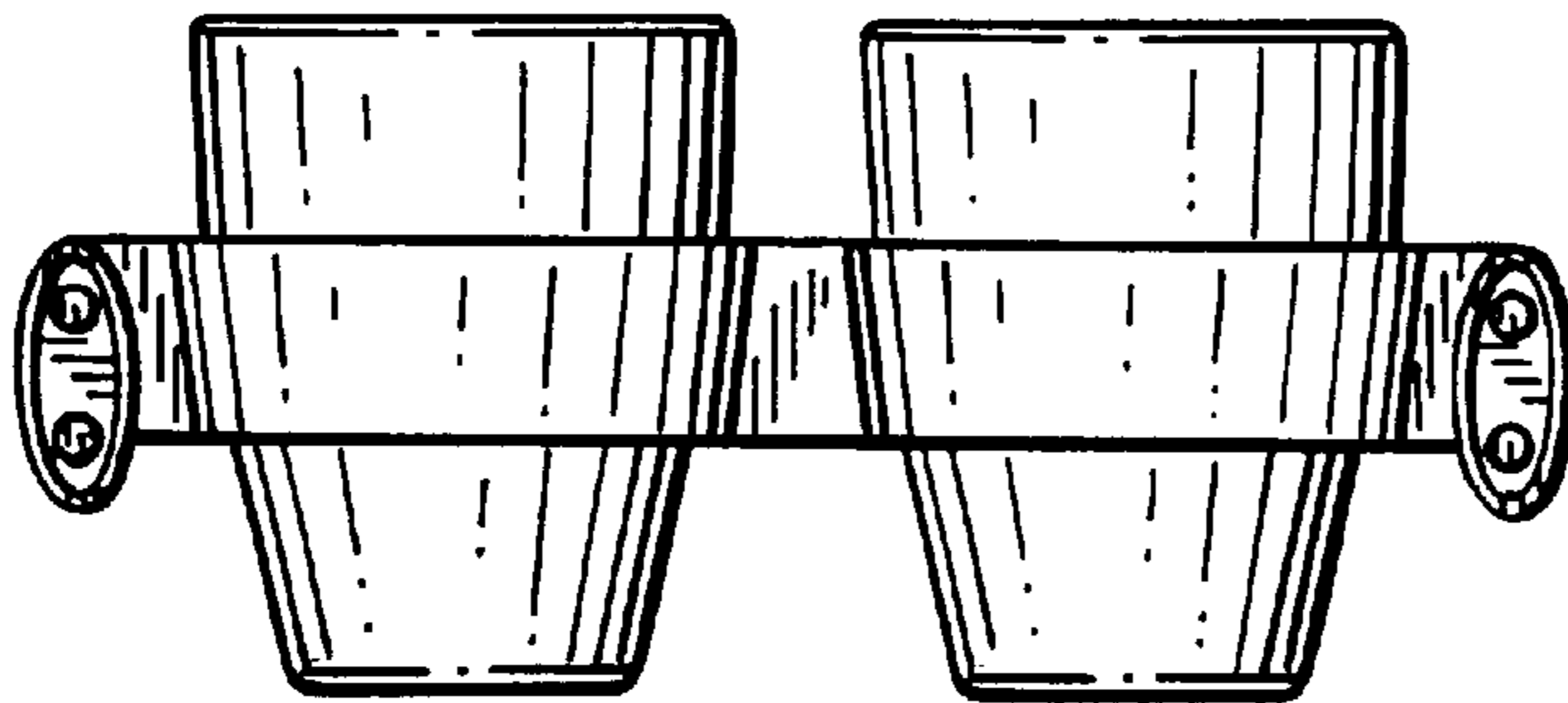


FIG. 14