



US00D436477S

(12) **United States Design Patent**
Ming-Hsiao

(10) **Patent No.:** **US D436,477 S**

(45) **Date of Patent:** **** Jan. 23, 2001**

- (54) **TOILET PAPER ROLL HOLDER**
- (76) Inventor: **Lai Ming-Hsiao**, P.O. Box 453,
Taichung (TW)
- (**) Term: **14 Years**
- (21) Appl. No.: **29/120,776**
- (22) Filed: **Mar. 27, 2000**
- (51) **LOC (7) Cl.** **23-02**
- (52) **U.S. Cl.** **D6/523**
- (58) **Field of Search** D6/522-523, 518,
D6/549-550; 242/516, 590, 595-596, 598,
598.3; 312/34.8; 206/389; 211/16, 123

- (56) **References Cited**
- U.S. PATENT DOCUMENTS**
- D. 337,230 * 7/1993 Wang D6/550
- D. 361,006 * 8/1995 Sharpe D6/523 X
- D. 362,361 * 9/1995 Lehn et al. D6/523
- D. 374,361 * 10/1996 Lehn et al. D6/523
- D. 377,570 * 1/1997 Sharpe D6/523 X

- D. 390,397 * 2/1998 Chen D6/550
- D. 408,669 * 4/1999 Kuo D6/550
- D. 417,808 * 12/1999 Roth et al. D6/523
- D. 422,824 * 4/2000 Moore et al. D6/550
- D. 424,354 * 5/2000 Duggan D6/550

* cited by examiner

Primary Examiner—Brian N. Vinson

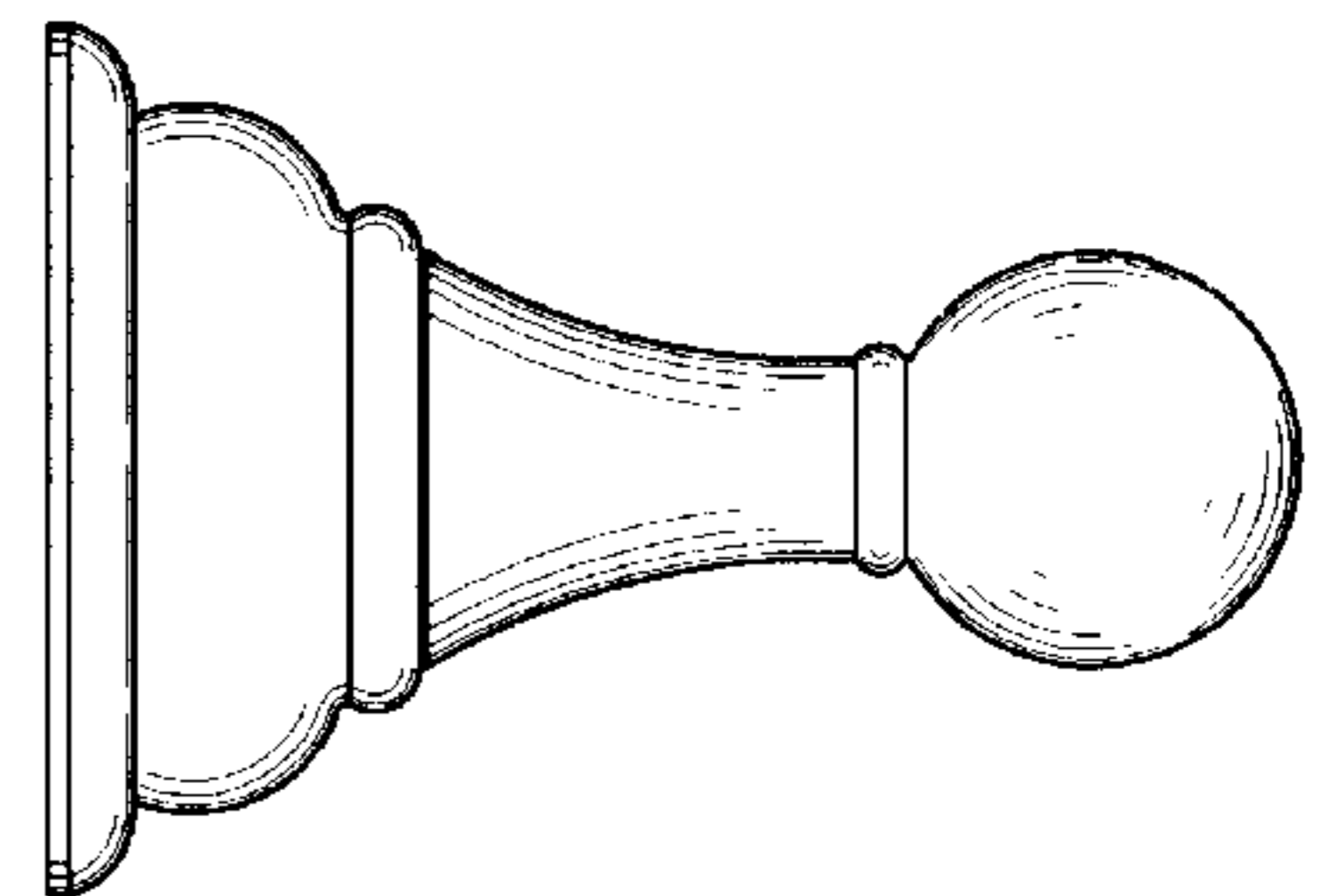
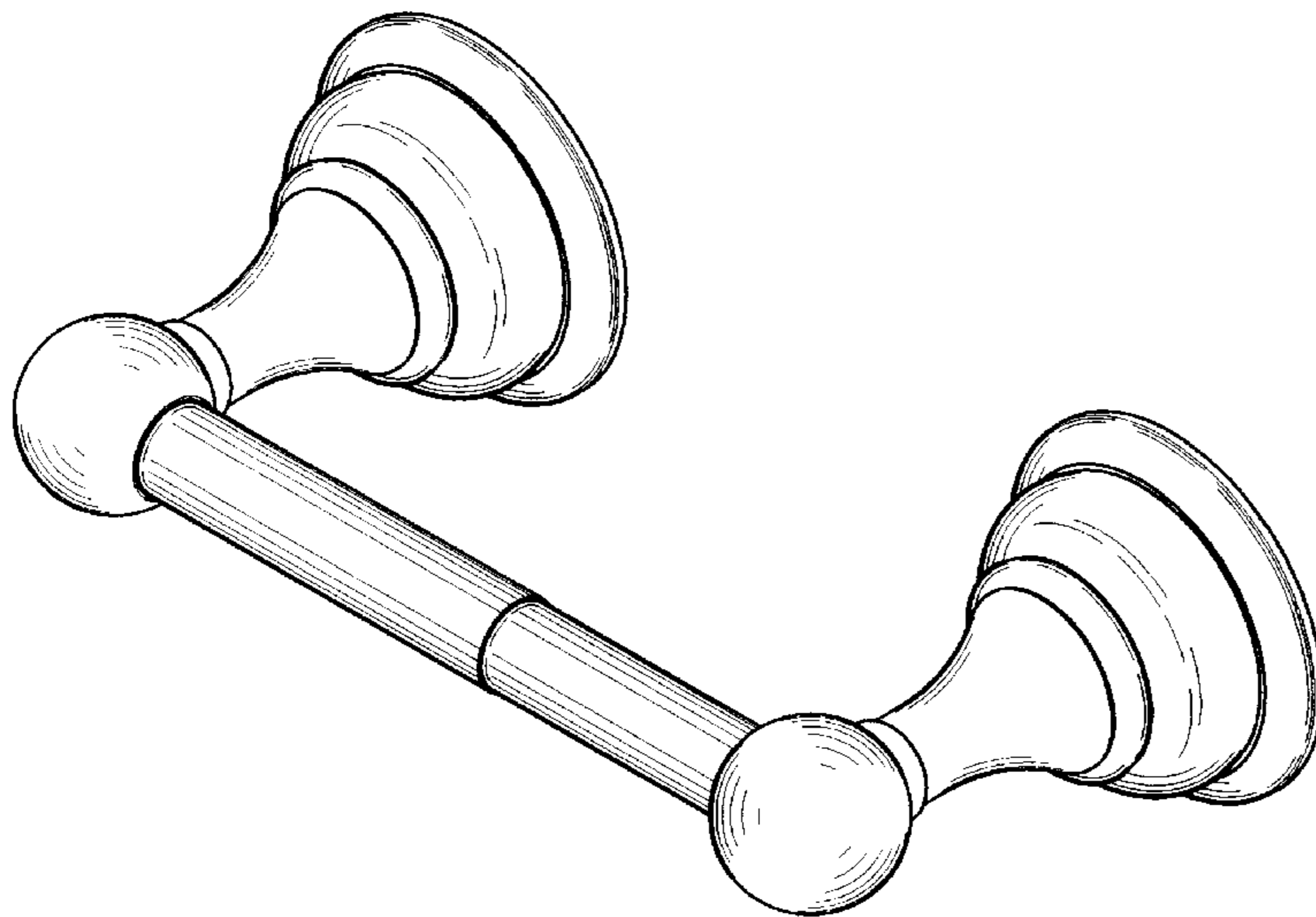
(57) **CLAIM**

I claim the ornamental design for a toilet paper roll holder, as shown and described.

DESCRIPTION

FIG. 1 is a perspective view of a toilet paper roll holder showing my new design.
 FIG. 2 is a front elevational view thereof;
 FIG. 3 is a rear elevational view thereof;
 FIG. 4 is a right elevational view thereof;
 FIG. 5 is a left elevational view thereof;
 FIG. 6 is a top plan view thereof; and,
 FIG. 7 is a bottom plan view thereof.

1 Claim, 4 Drawing Sheets



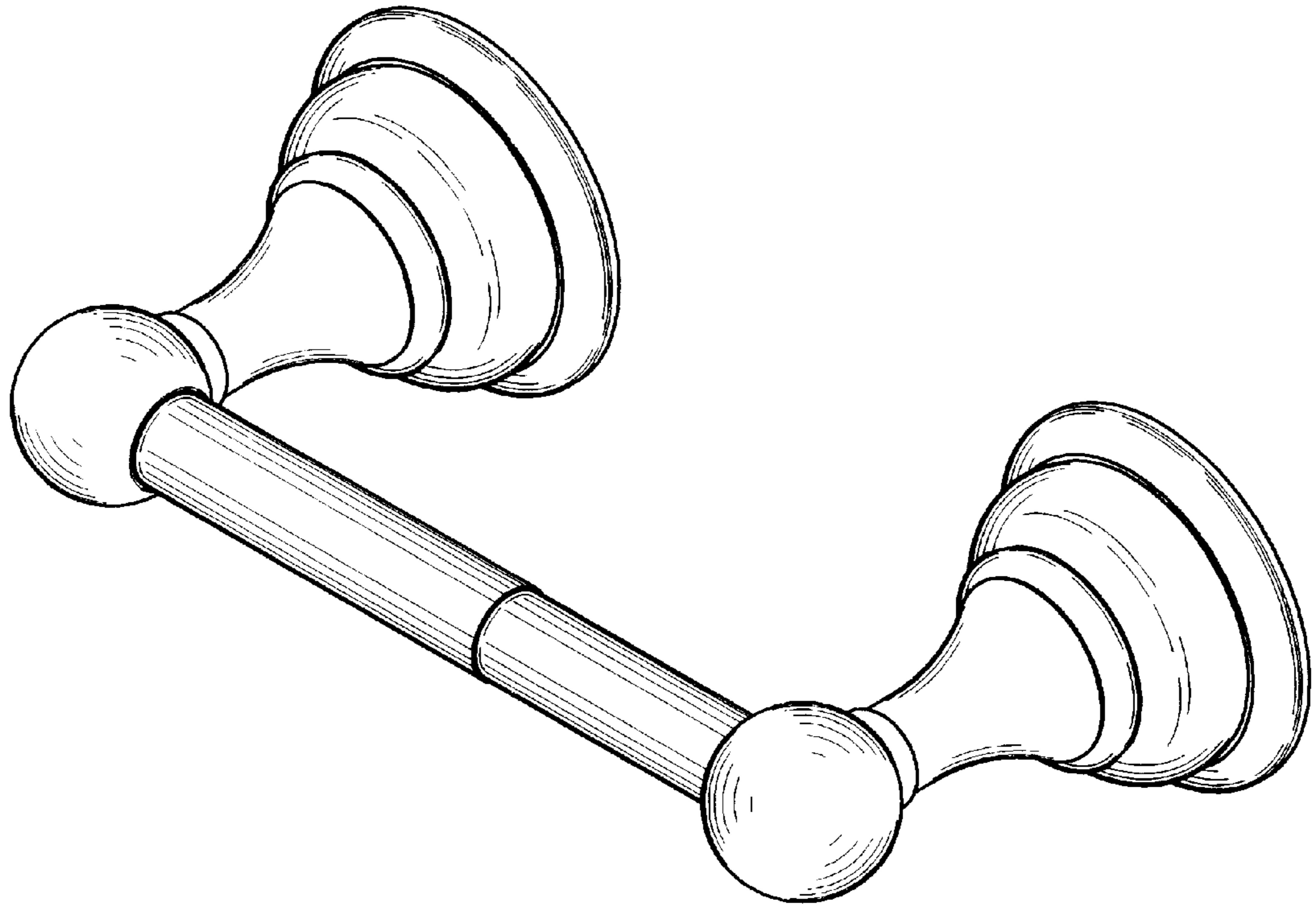


FIG.1

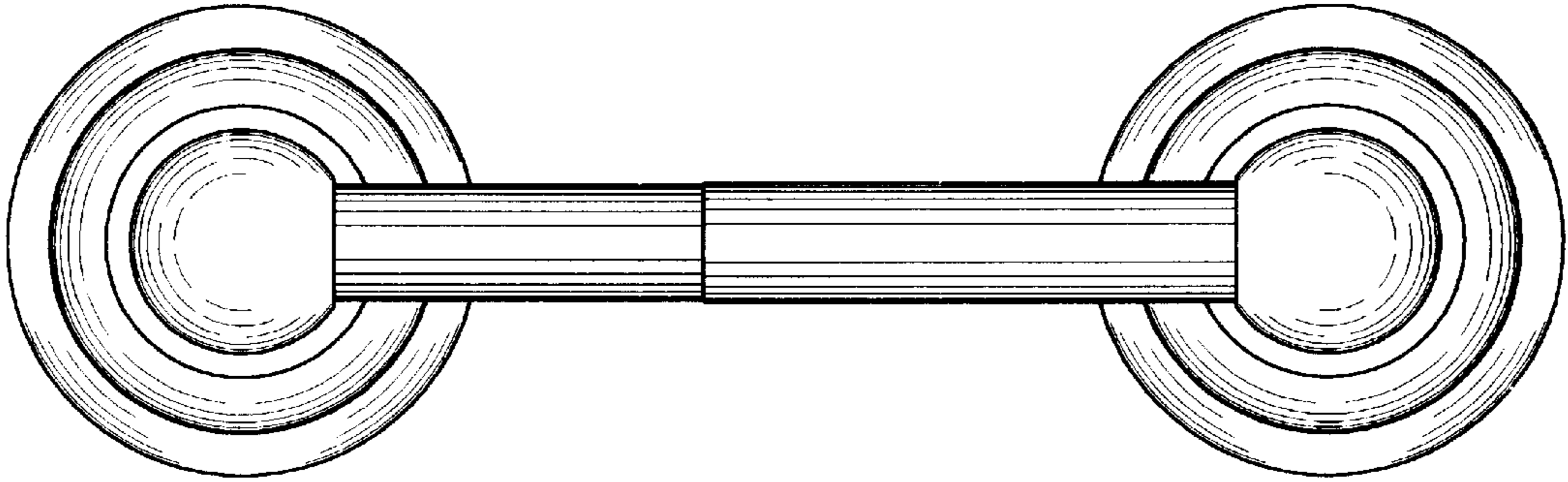


FIG. 2

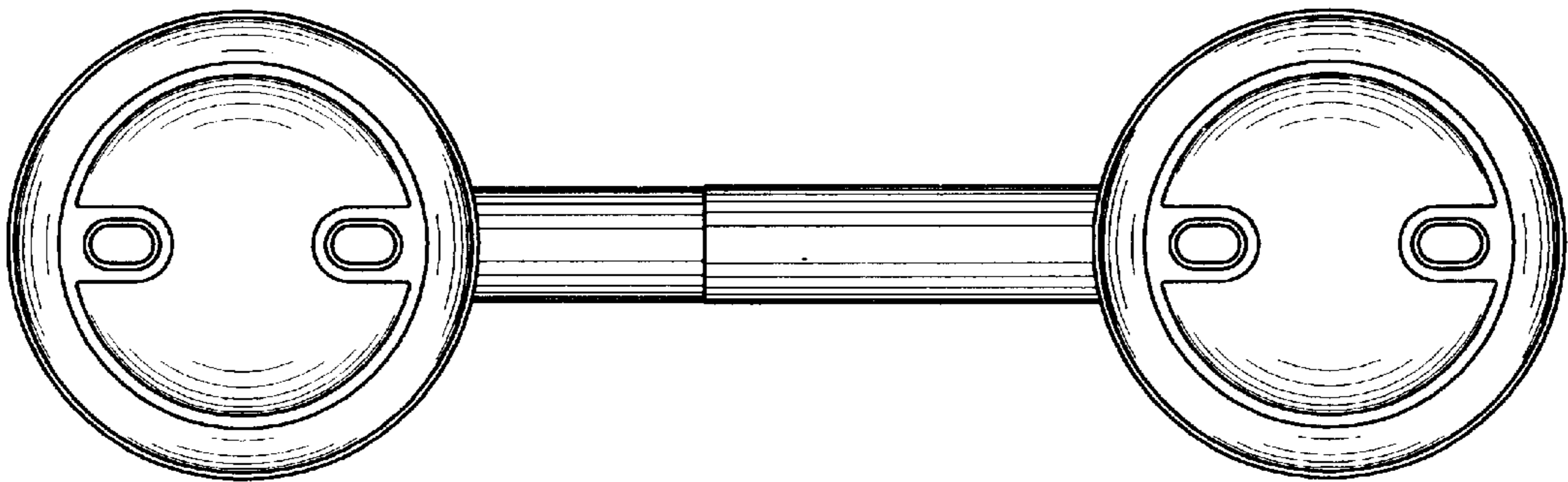


FIG. 3

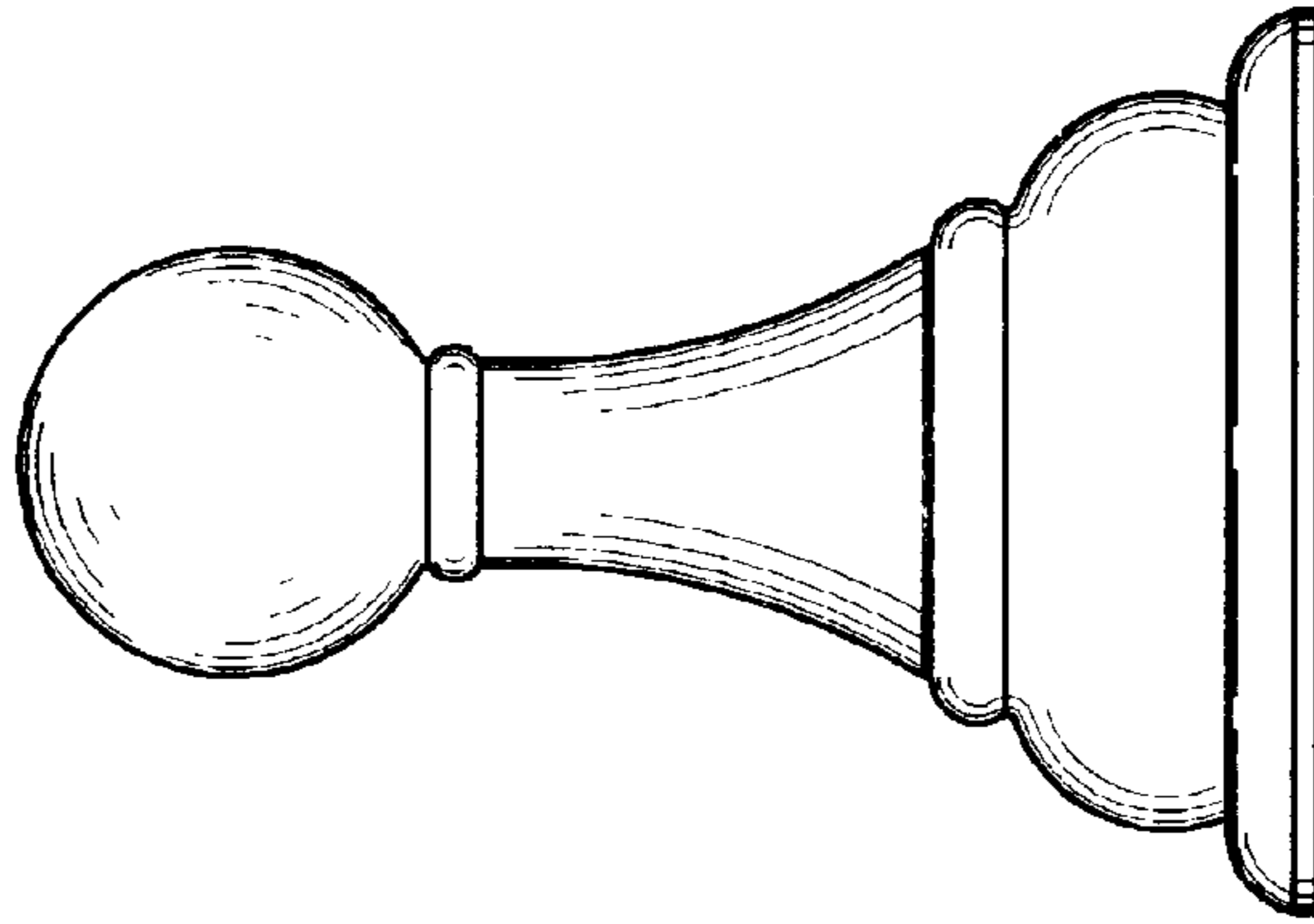


FIG. 4

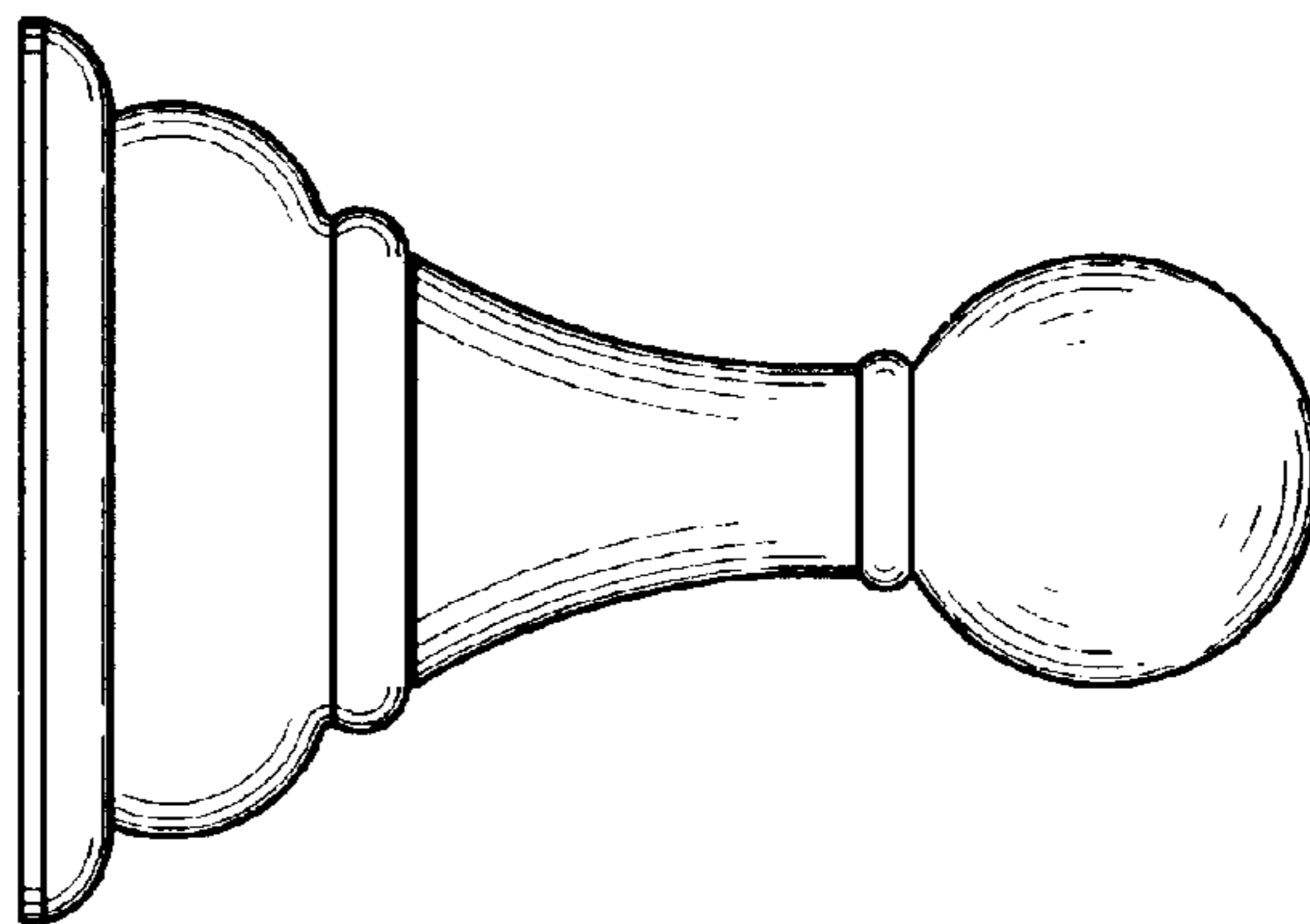


FIG. 5

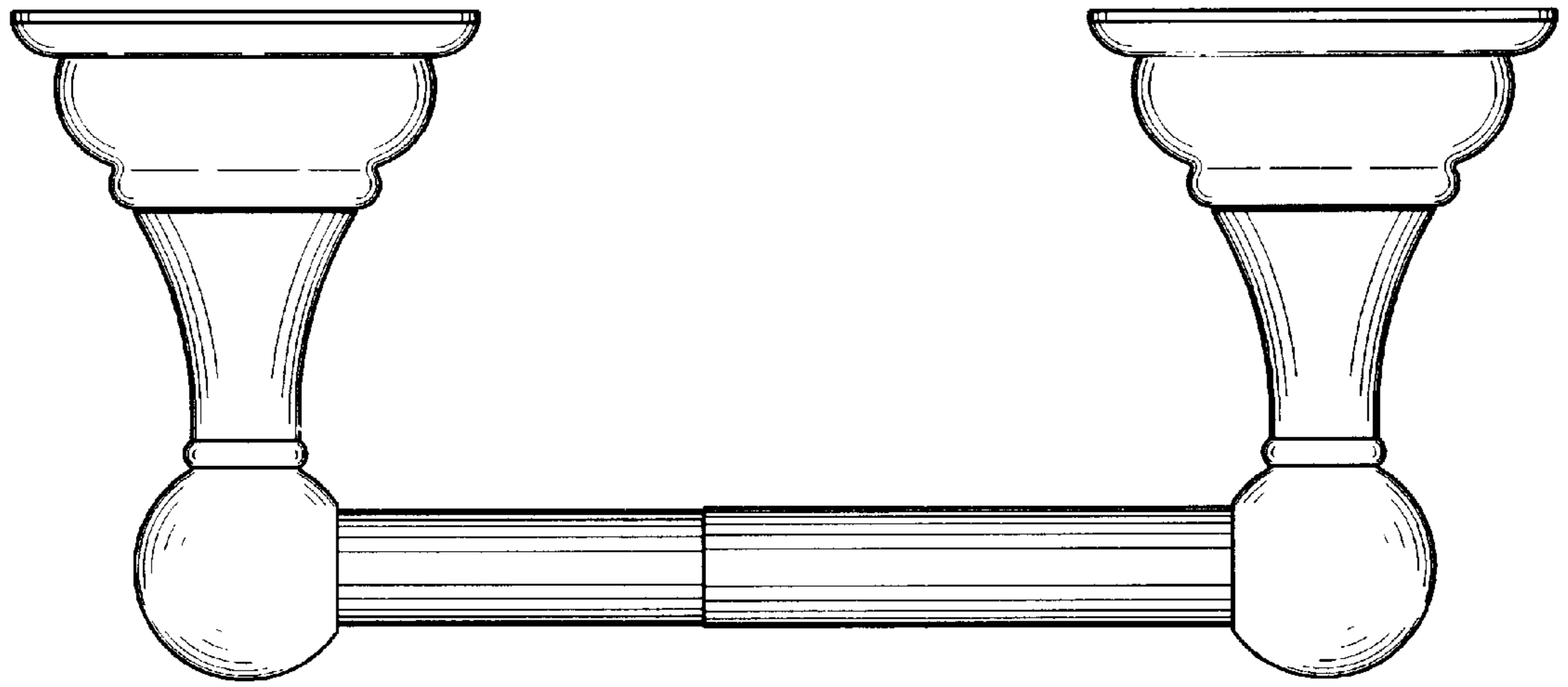


FIG. 6

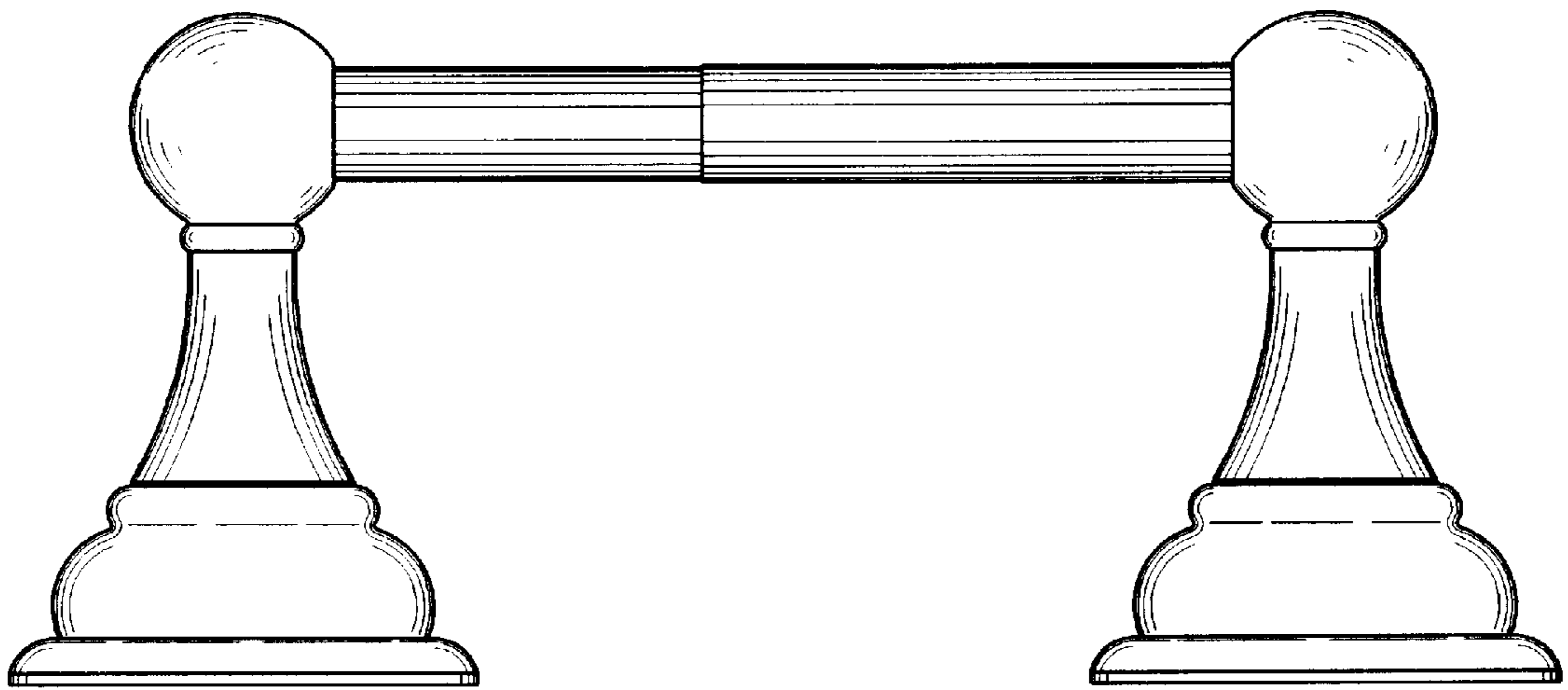


FIG. 7