



US00D436476S

(12) **United States Design Patent**
Stoddard

(10) **Patent No.:** **US D436,476 S**

(45) **Date of Patent:** **** Jan. 23, 2001**

(54) **CUP DISPENSER**

5,203,531 * 4/1993 Gracon 206/499 X

(75) Inventor: **John Stoddard**, Ben Lomond, CA (US)

* cited by examiner

(73) Assignee: **Manufacturing Modes, Inc.**, Walnut Creek, CA (US)

Primary Examiner—Brian N. Vinson

(74) *Attorney, Agent, or Firm*—Malcolm B. Wittenberg

(**) Term: **14 Years**

(57) **CLAIM**

The ornamental design for a cup dispenser, as shown and described.

(21) Appl. No.: **29/113,435**

(22) Filed: **Nov. 3, 1999**

DESCRIPTION

(51) **LOC (7) Cl.** **07-99**

FIG. 1 shows a perspective view;

(52) **U.S. Cl.** **D6/516**

FIG. 2 shows a top view;

(58) **Field of Search** D6/516; 211/13.1, 211/49.1, 71.01, 74; 221/282–284, 45; 206/499

FIG. 3 shows a front view;

FIG. 4 shows a side view;

FIG. 5 shows a back view; and,

FIG. 6 shows a bottom view.

(56) **References Cited**

The broken-line disclosure of a cup in the views is for illustrative purposes only and forms no part of the claimed design.

U.S. PATENT DOCUMENTS

D. 307,842 * 5/1990 Bieganski D6/516

D. 421,356 * 3/2000 Wolff D6/516

4,199,076 * 4/1980 Brown 221/45

1 Claim, 2 Drawing Sheets

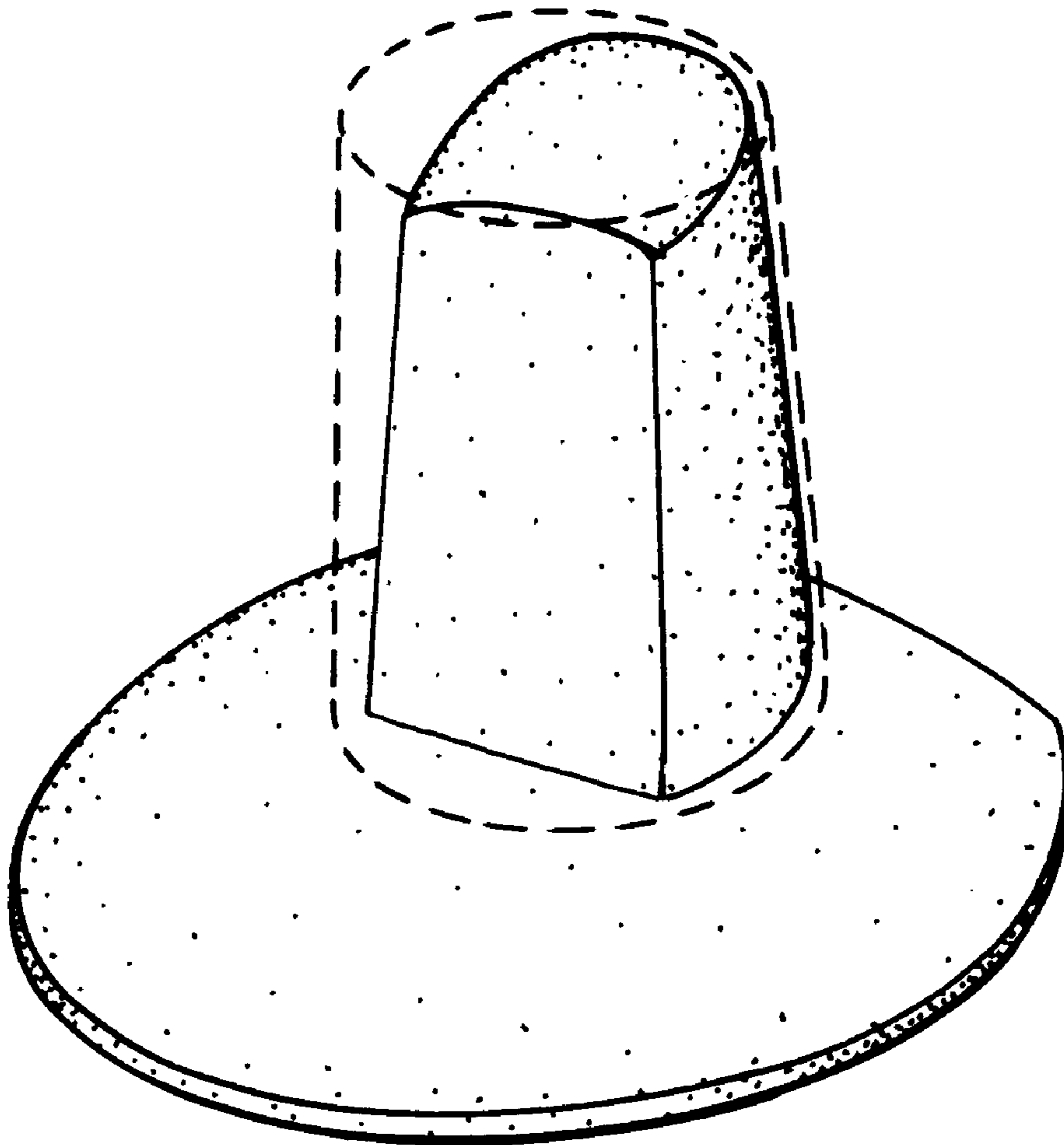


FIG. 1.

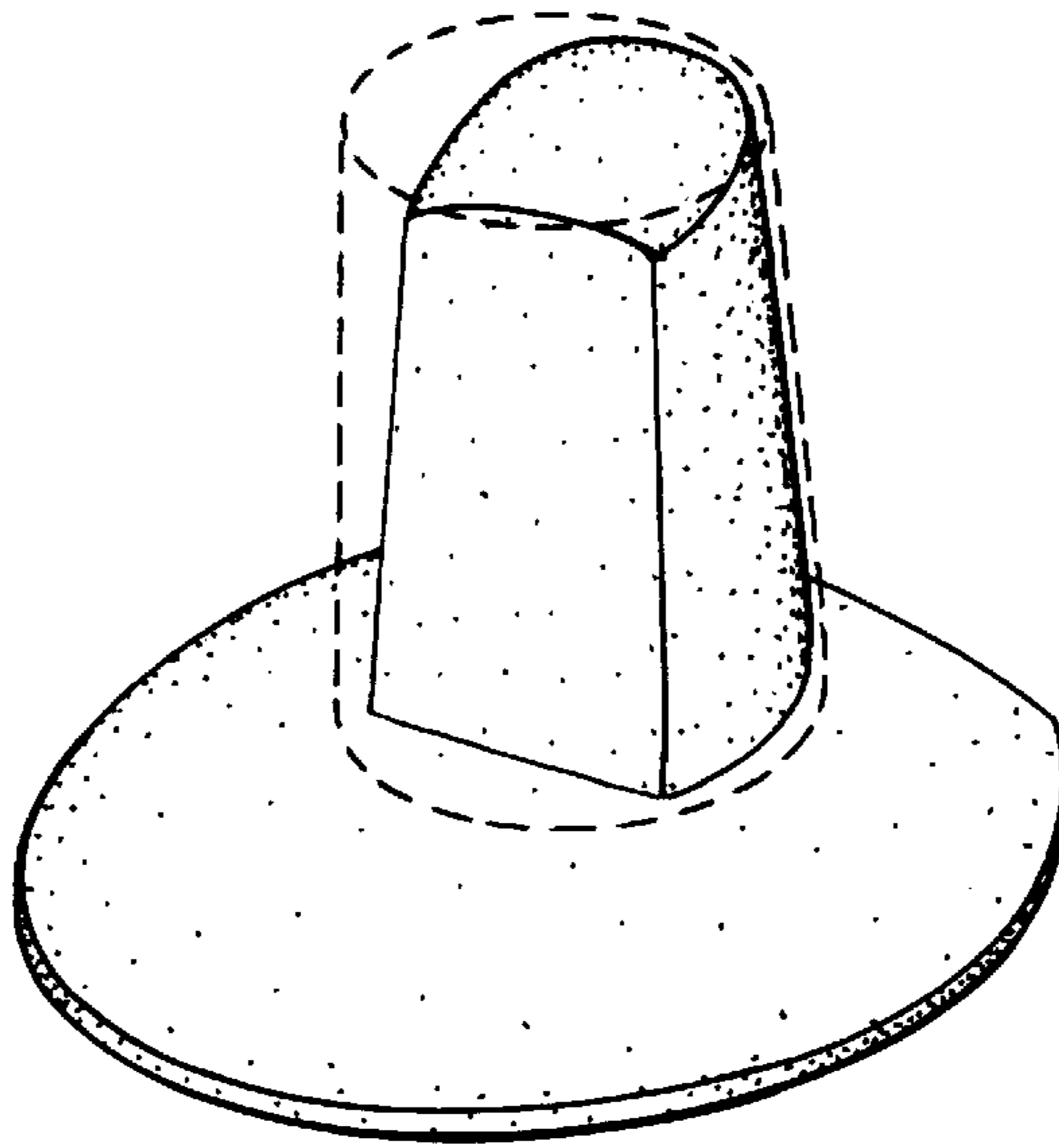


FIG. 2.

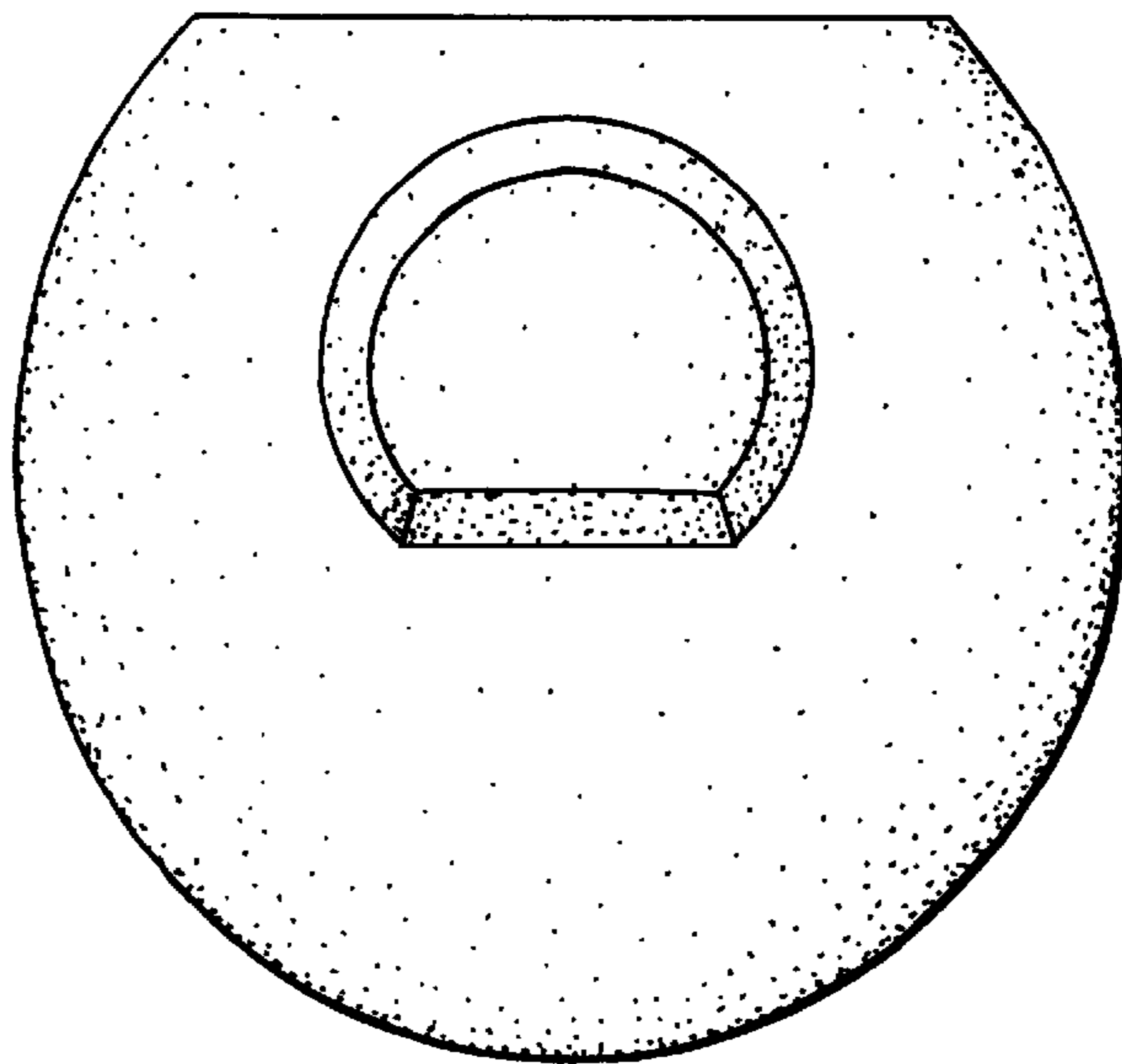


FIG. 3.

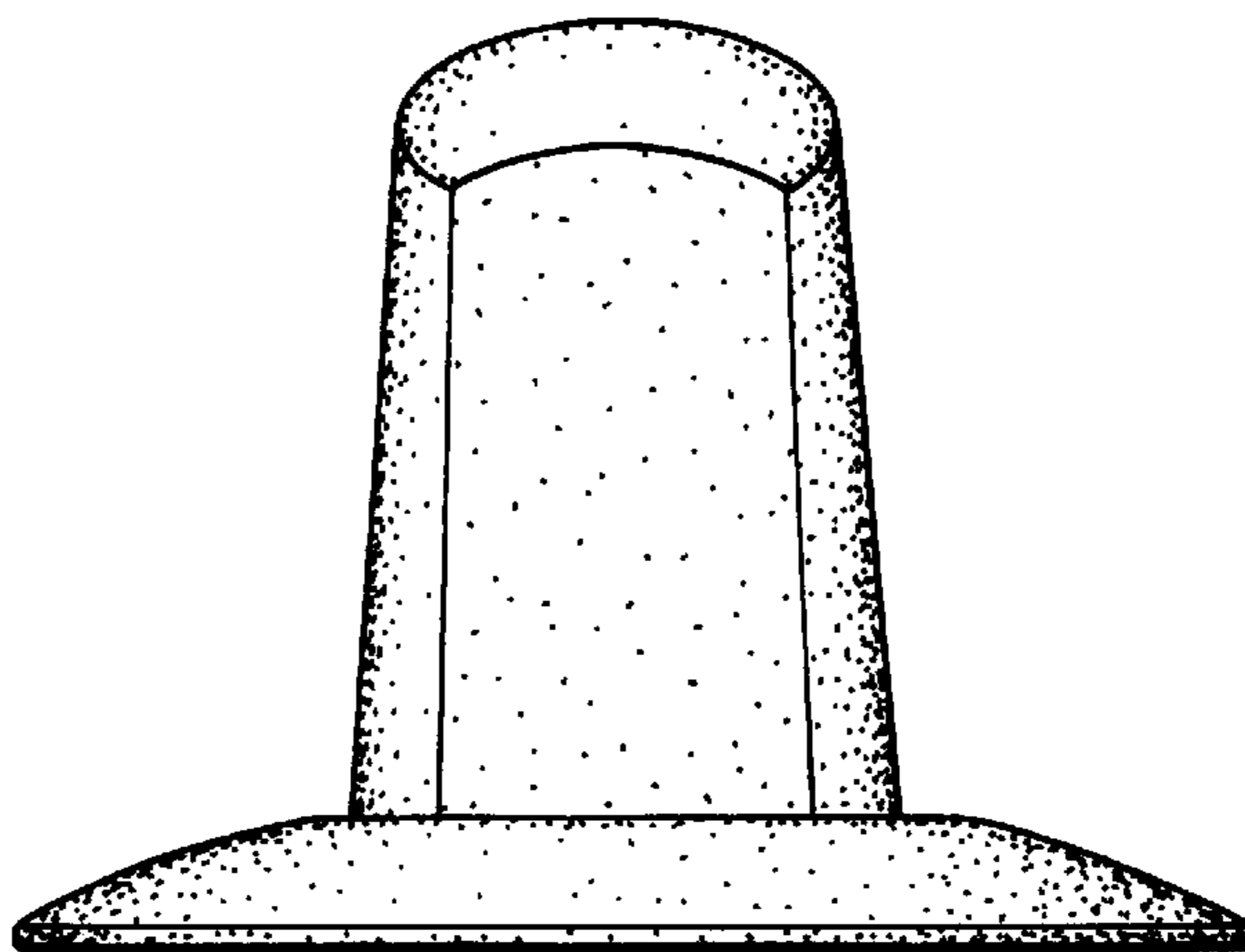


FIG. 4.

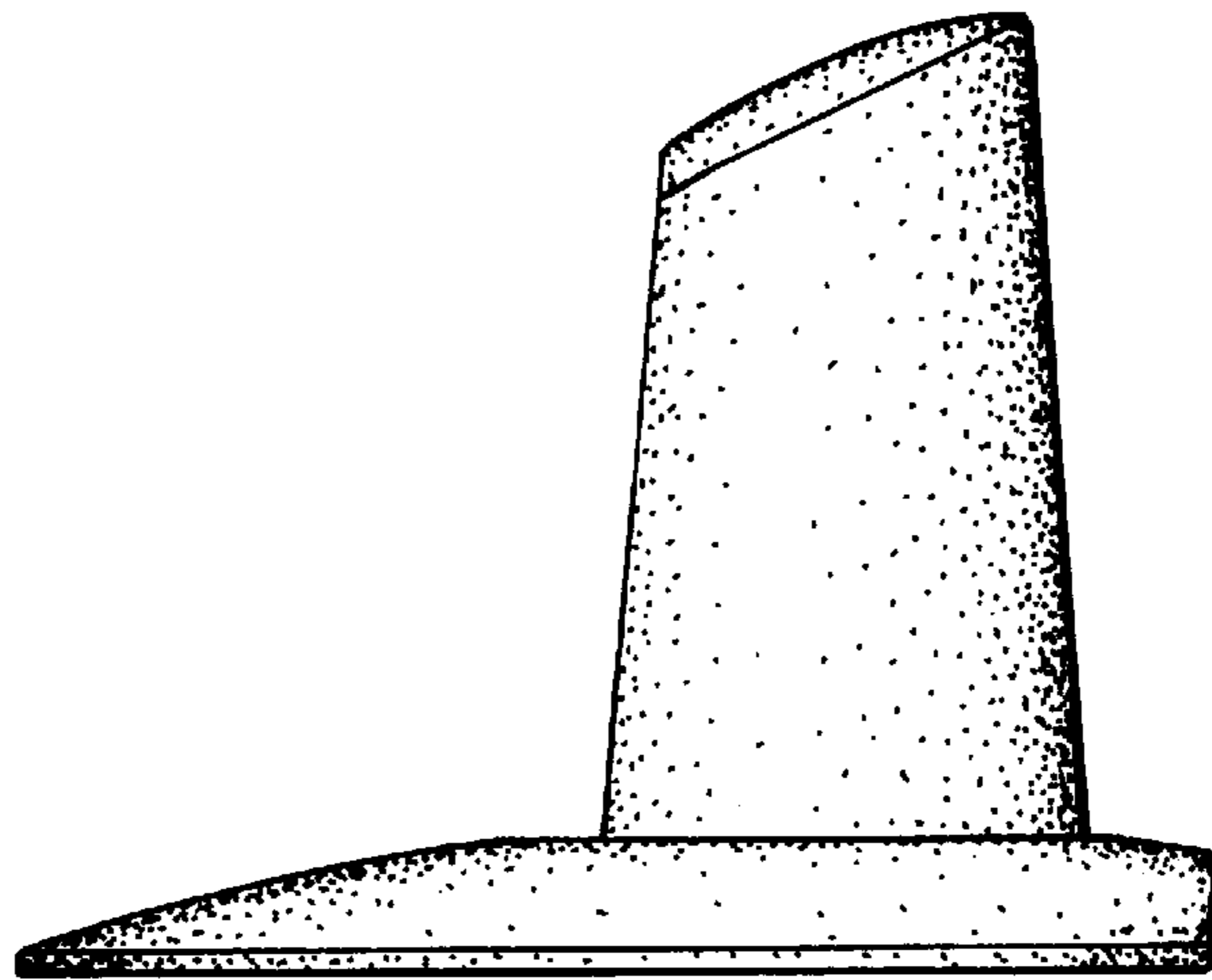


FIG. 5.

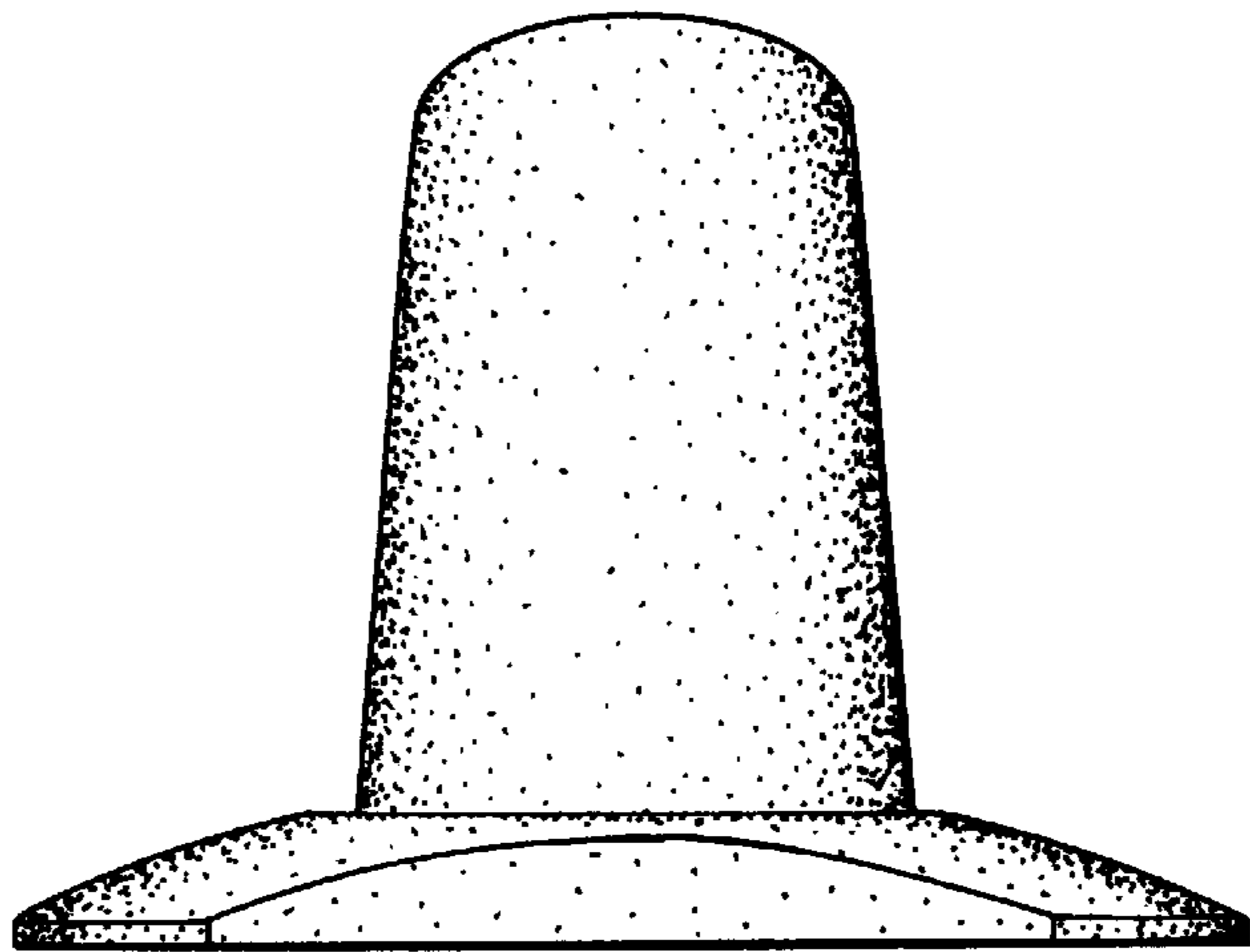


FIG. 6.

