



US00D436475S

(12) **United States Design Patent**
Petty

(10) **Patent No.:** **US D436,475 S**

(45) **Date of Patent:** **** Jan. 23, 2001**

(54) **TABLE TOP**

(75) Inventor: **David W. Petty**, Cameron, TX (US)

(73) Assignee: **Royal Seating Corporation**, Cameron, TX (US)

(**) Term: **14 Years**

(21) Appl. No.: **29/123,599**

(22) Filed: **May 19, 2000**

(51) **LOC (7) Cl.** **06-06**

(52) **U.S. Cl.** **D6/511; D6/482**

(58) **Field of Search** D6/480-489, 511,
D6/423, 429, 422; 108/153.1, 155, 156,
157.1, 161, 50.01, 50.02

(56) **References Cited**

U.S. PATENT DOCUMENTS

- D. 177,678 * 5/1956 Hvidt et al. D6/483
- D. 275,353 * 9/1984 Dunbar D6/483
- D. 372,818 * 8/1996 Snell D6/483

* cited by examiner

Primary Examiner—Janice E. Seeger

(74) *Attorney, Agent, or Firm*—Arthur F Zobal

(57) **CLAIM**

The ornamental design for a table top, as shown and described.

DESCRIPTION

FIG. 1 is a top plan view of a table top showing my new design;

FIG. 2 is a bottom plan view thereof;

FIG. 3 is an isometric view thereof;

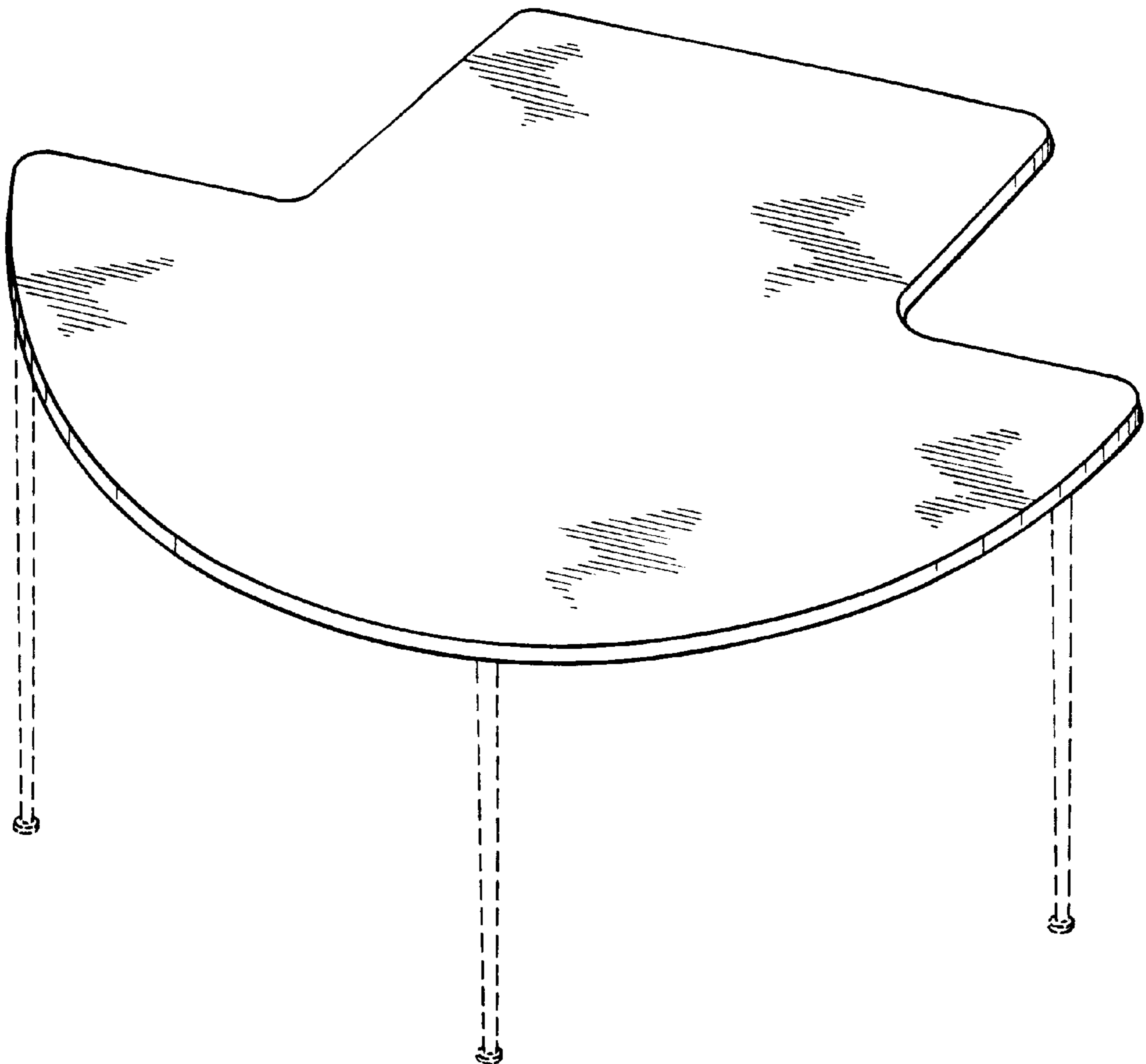
FIG. 4 is a right side elevational view thereof. The left side elevational view of the table top is a mirror image of FIG. 4;

FIG. 5 is a front side elevational view thereof; and,

FIG. 6 is a rear side elevational view thereof.

The broken lines are for environmental purposes only and form no part of the claimed design.

1 Claim, 3 Drawing Sheets



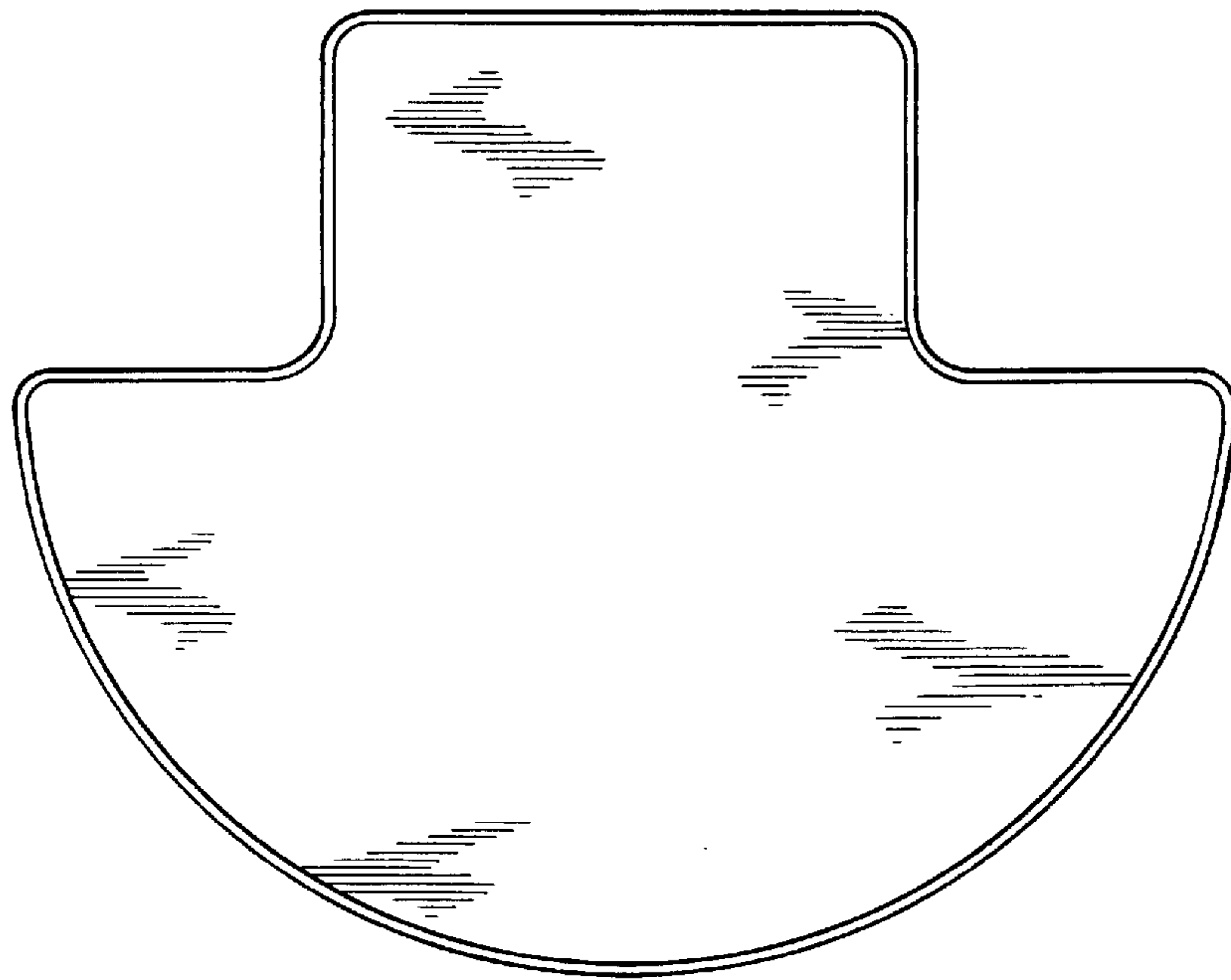


Fig. 1

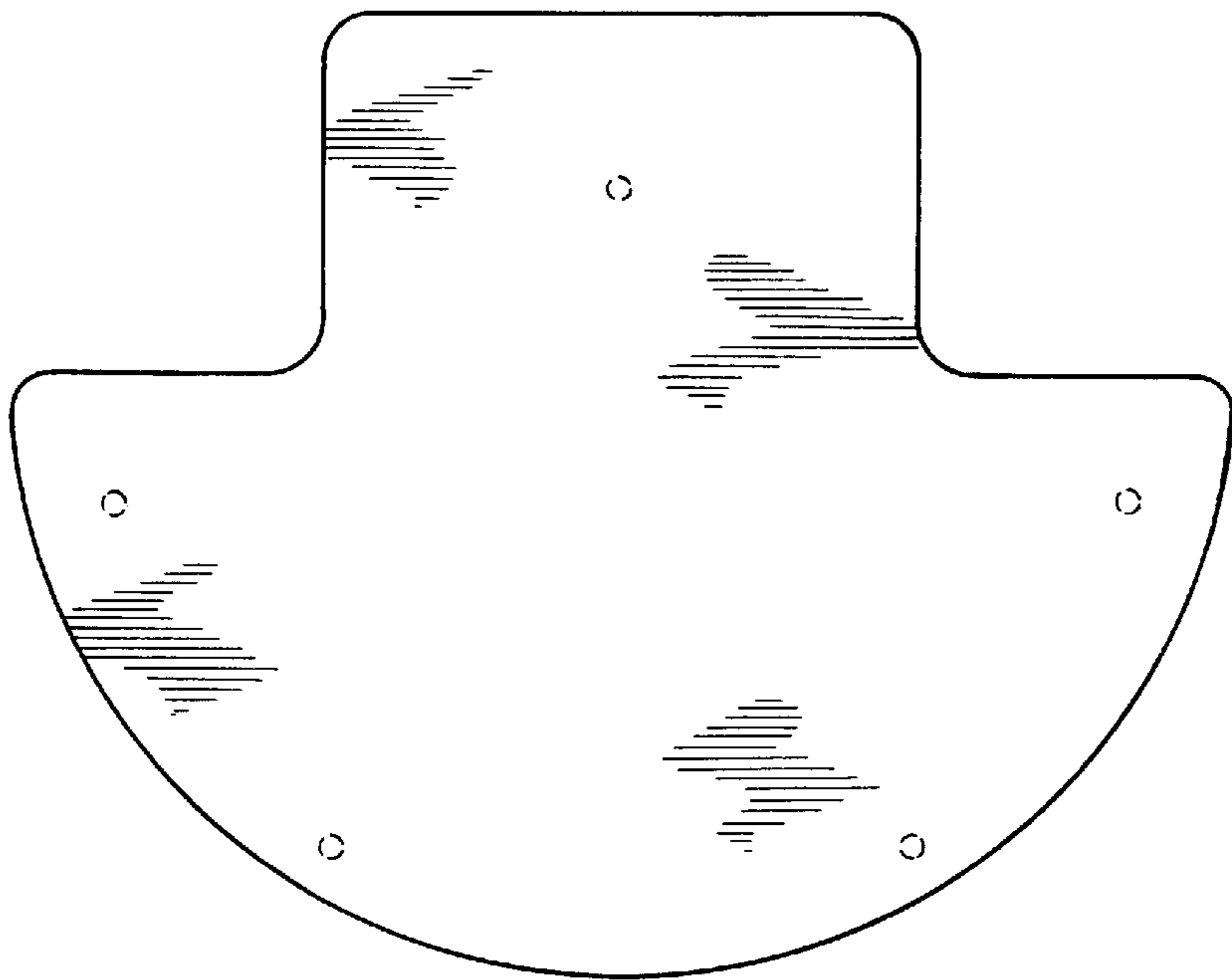


Fig. 2

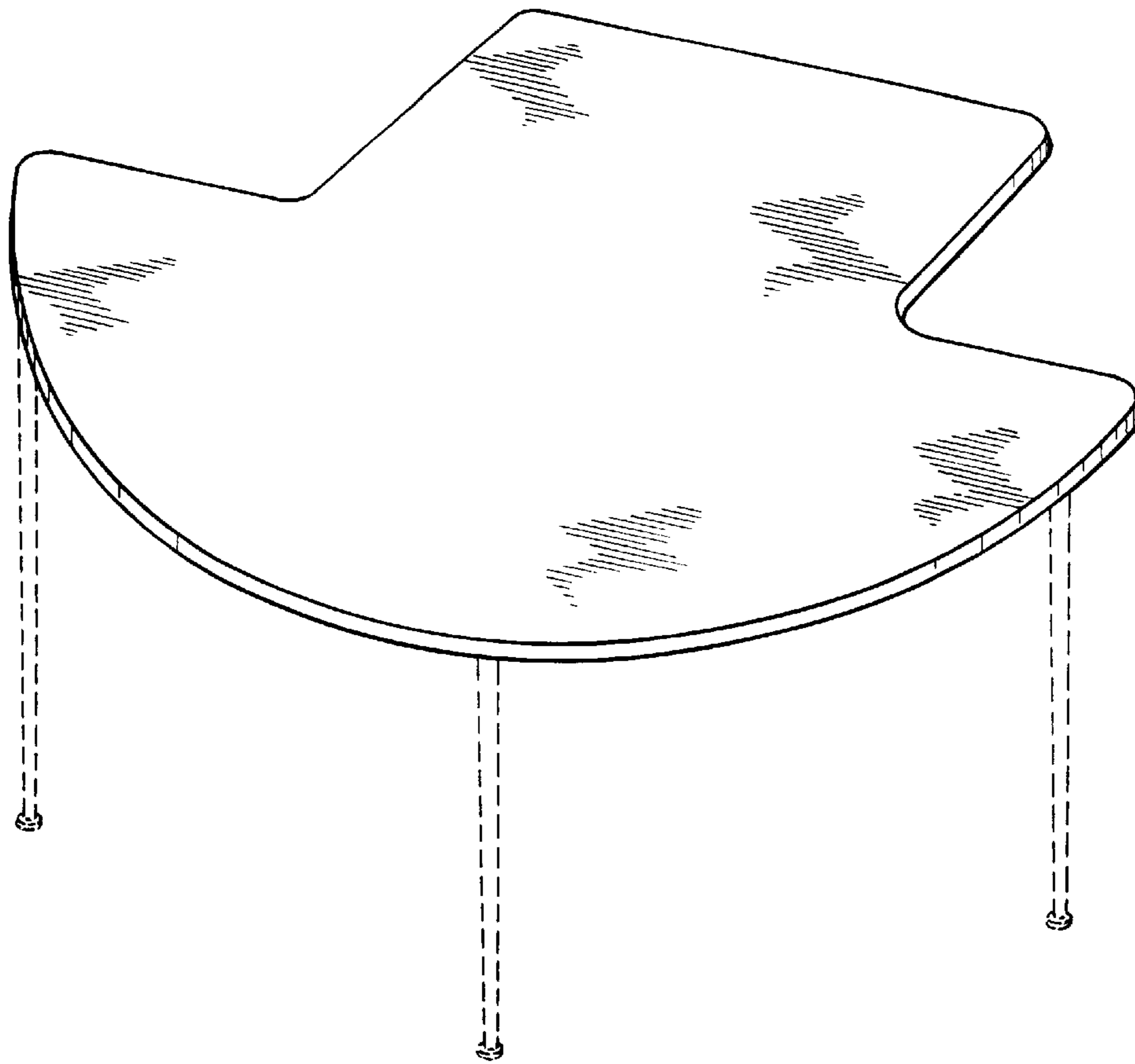


Fig. 3

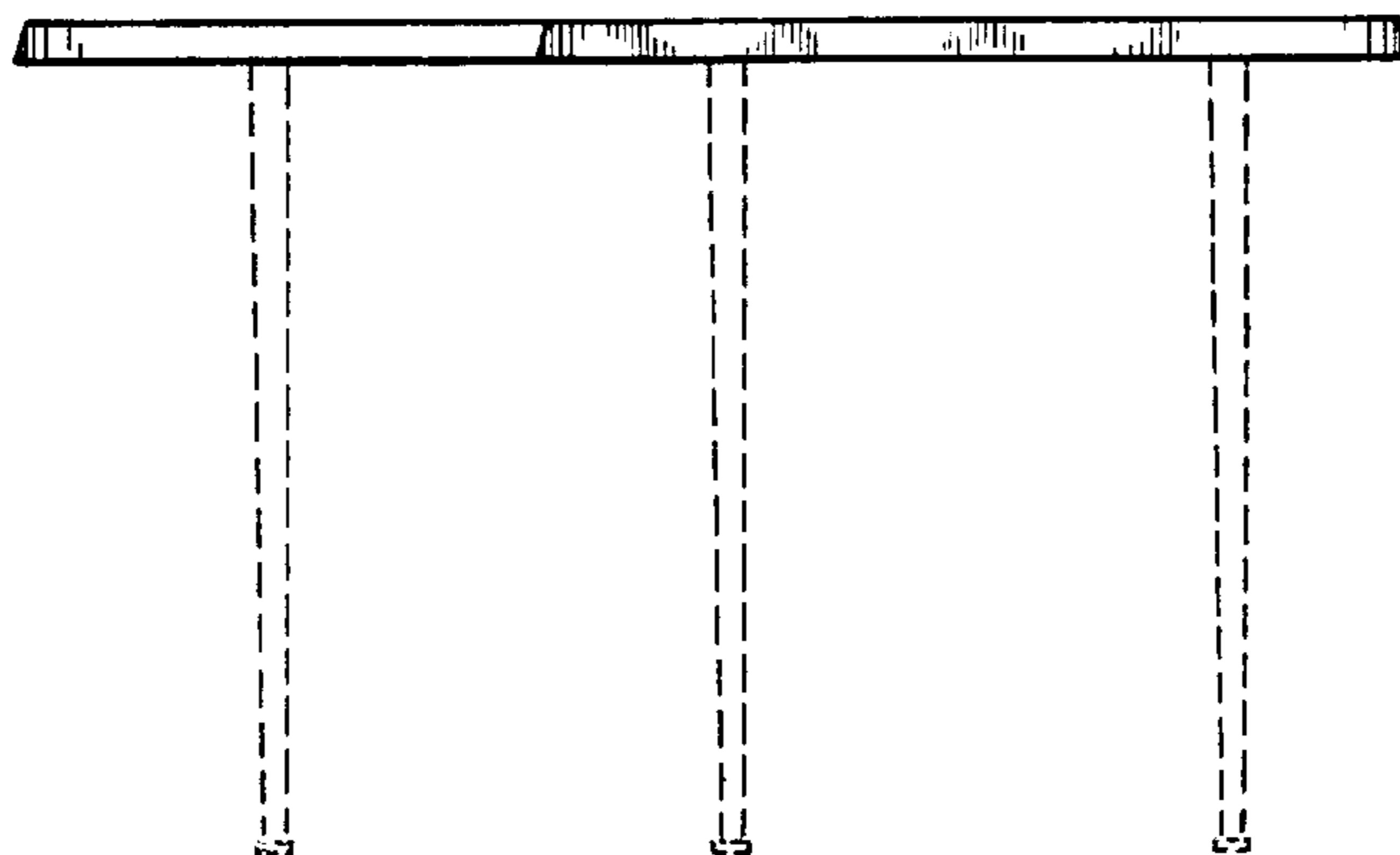


Fig. 4

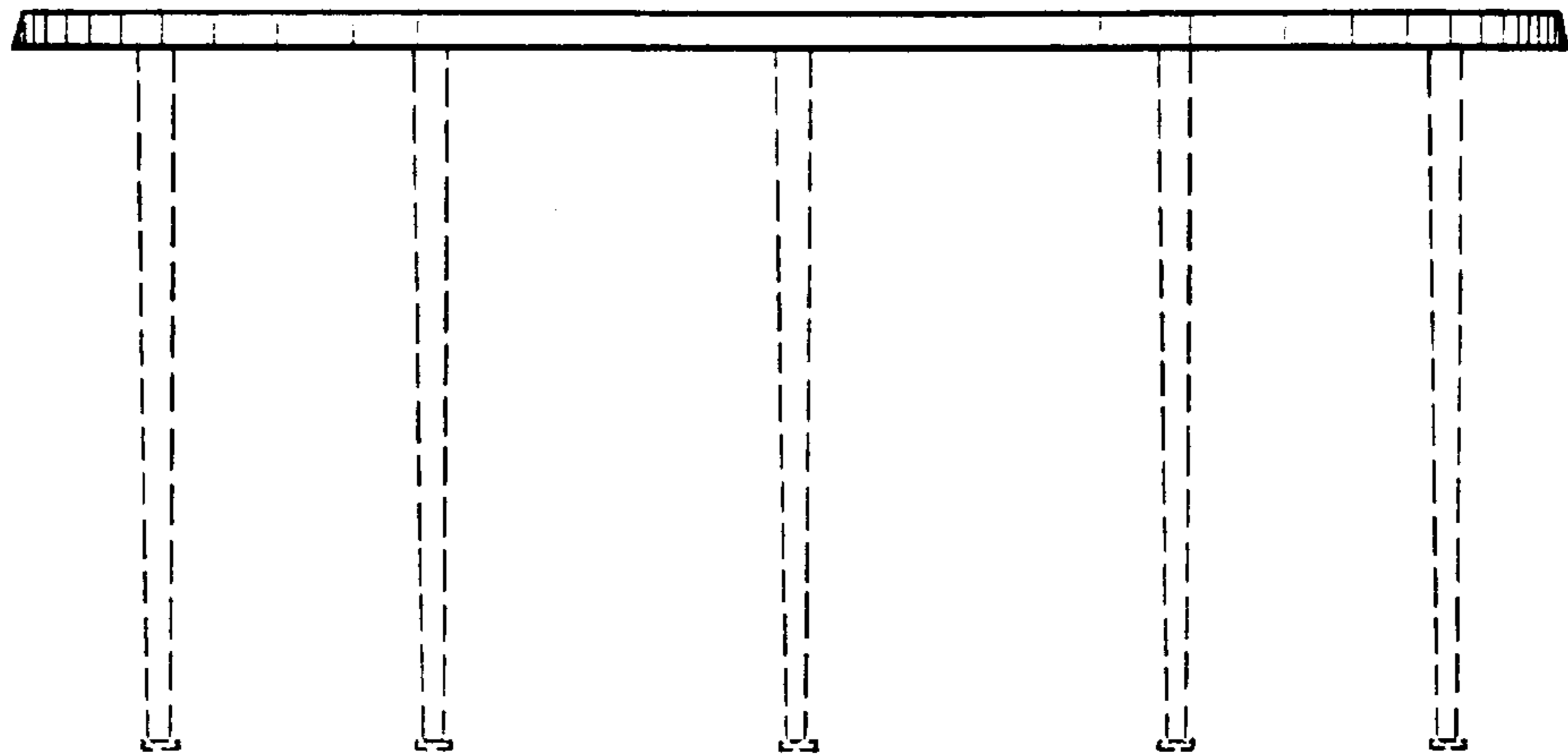


Fig. 5

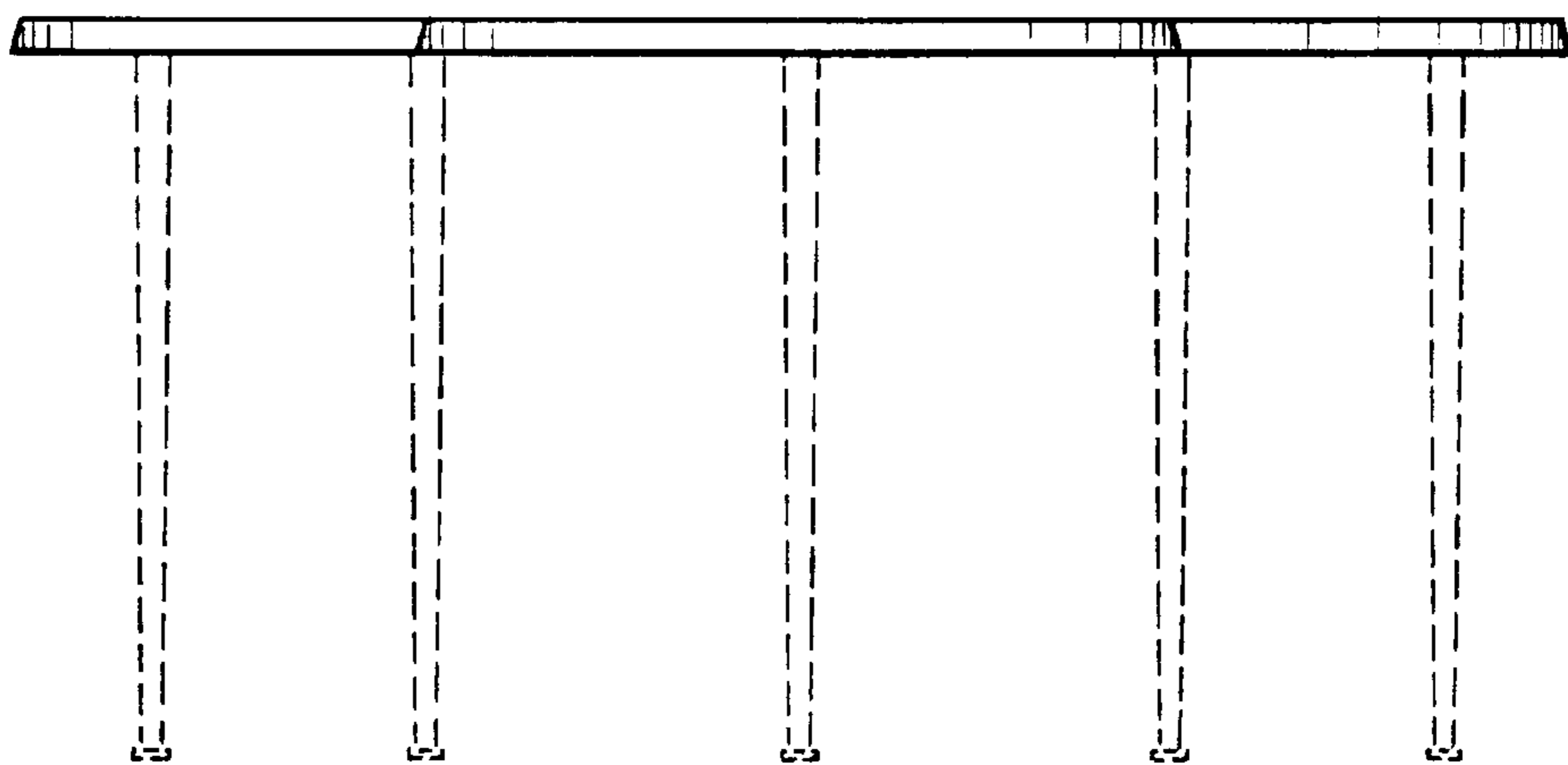


Fig. 6