



US00D436474S

(12) **United States Design Patent**
Morren

(10) **Patent No.:** **US D436,474 S**

(45) **Date of Patent:** **** Jan. 23, 2001**

(54) **SIDE RAIL FOR A BED**

(75) Inventor: **William L. Morren**, Stevens Point, WI (US)

(73) Assignee: **Sunrise Medical CCG Inc.**, Stevens Point, WI (US)

(**) Term: **14 Years**

(21) Appl. No.: **29/111,356**

(22) Filed: **Sep. 24, 1999**

(51) **LOC (7) Cl.** **06-06**

(52) **U.S. Cl.** **D6/503**

(58) **Field of Search** D6/491, 503; 5/100, 5/659, 662, 425, 426, 428-430, 732

(56) **References Cited**

U.S. PATENT DOCUMENTS

- D. 336,577 * 6/1993 Celestina et al. D6/503
- 5,689,839 * 11/1997 Laganieri et al. 5/425
- 5,878,452 * 3/1999 Brooke et al. 5/428

* cited by examiner

Primary Examiner—Janice E. Seeger

(74) *Attorney, Agent, or Firm*—MacMillan, Sobanski & Todd, LLC

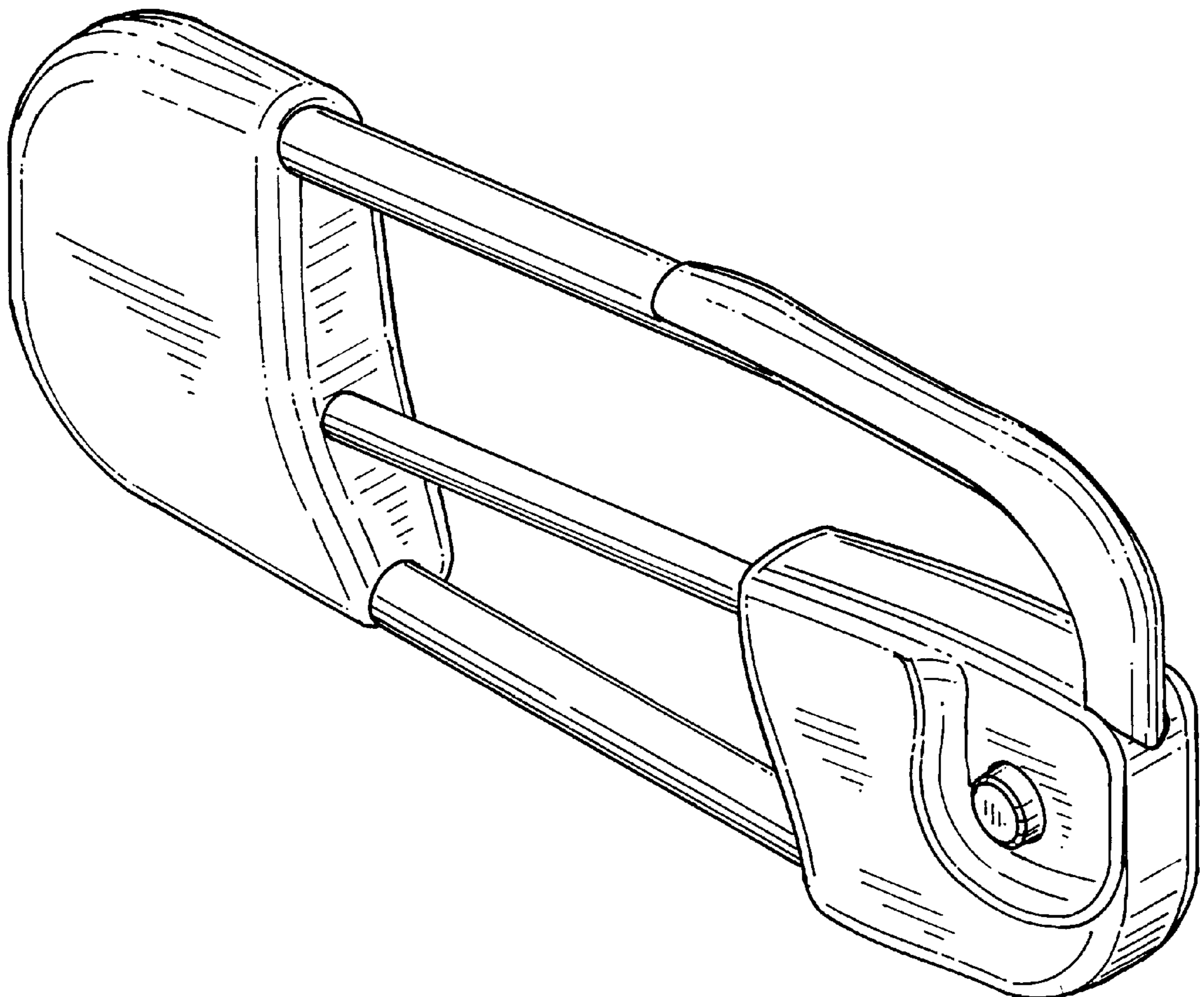
(57) **CLAIM**

The ornamental design for a side rail for a bed, as shown and described.

DESCRIPTION

FIG. 1 is a perspective view of a side rail for a bed, showing my new design;
 FIG. 2 is a left side elevational view thereof;
 FIG. 3 is a rear elevational view thereof;
 FIG. 4 is a right side elevational view thereof;
 FIG. 5 is a front elevational view thereof;
 FIG. 6 is a top plan view thereof;
 FIG. 7 is a bottom plan view thereof;
 FIG. 8 is a right side elevational view, showing an alternate embodiment of my new design;
 FIG. 9 is a front elevational view thereof;
 FIG. 10 is a left side elevational view thereof;
 FIG. 11 is a rear elevational view thereof;
 FIG. 12 is a top plan view thereof; and,
 FIG. 13 is a bottom plan view thereof.

1 Claim, 5 Drawing Sheets



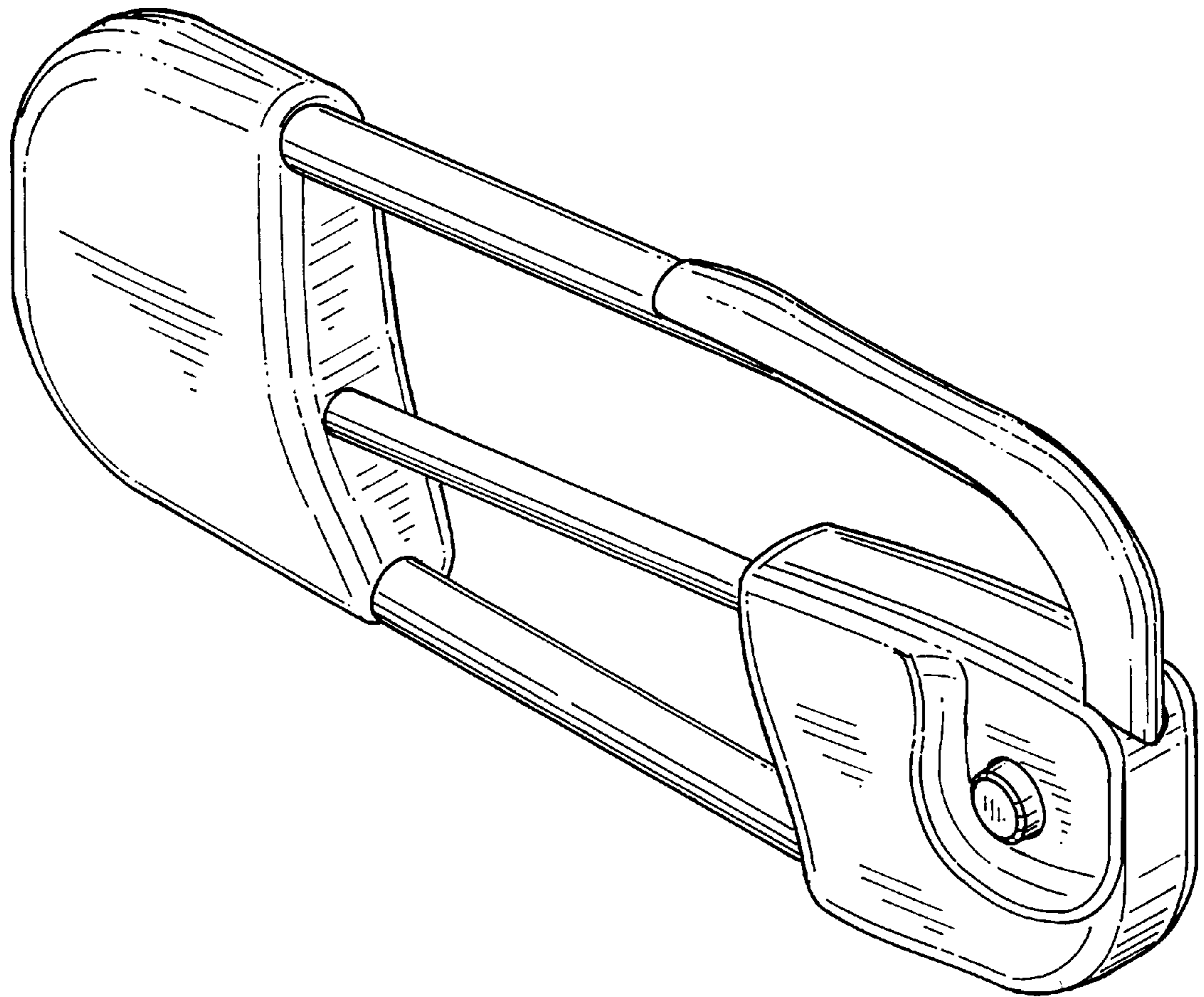


FIG. 1

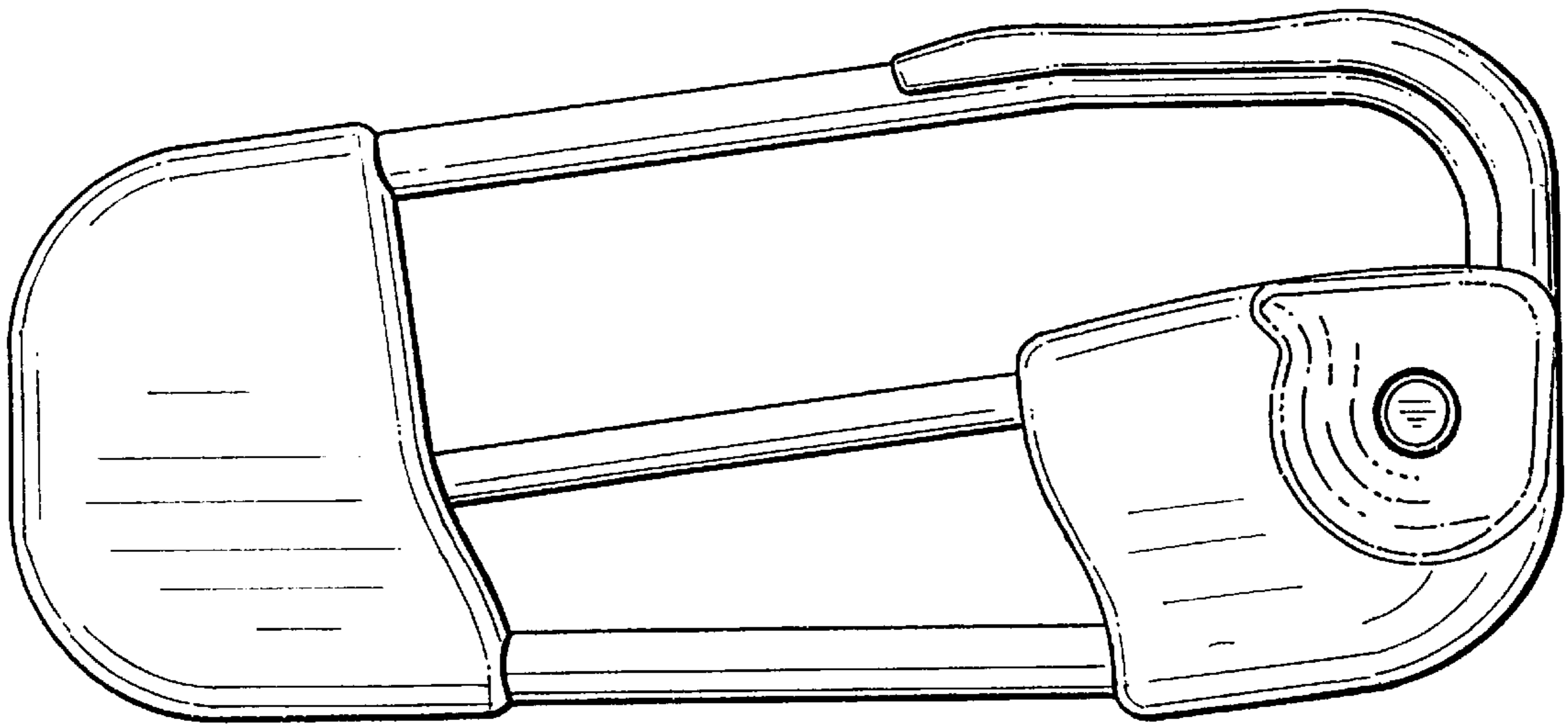


FIG. 2

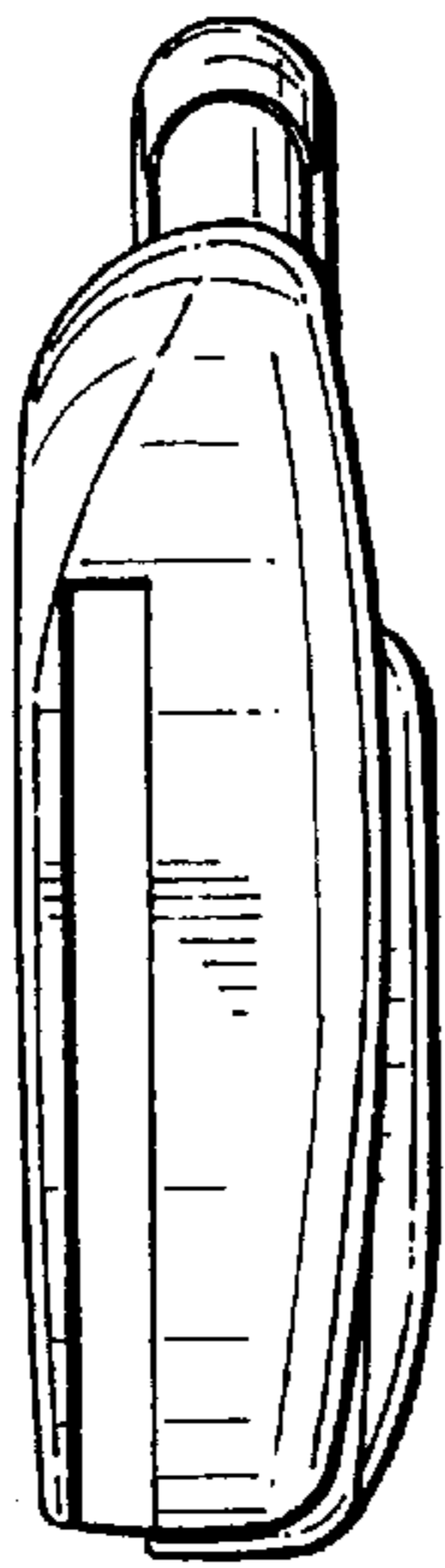


FIG. 3

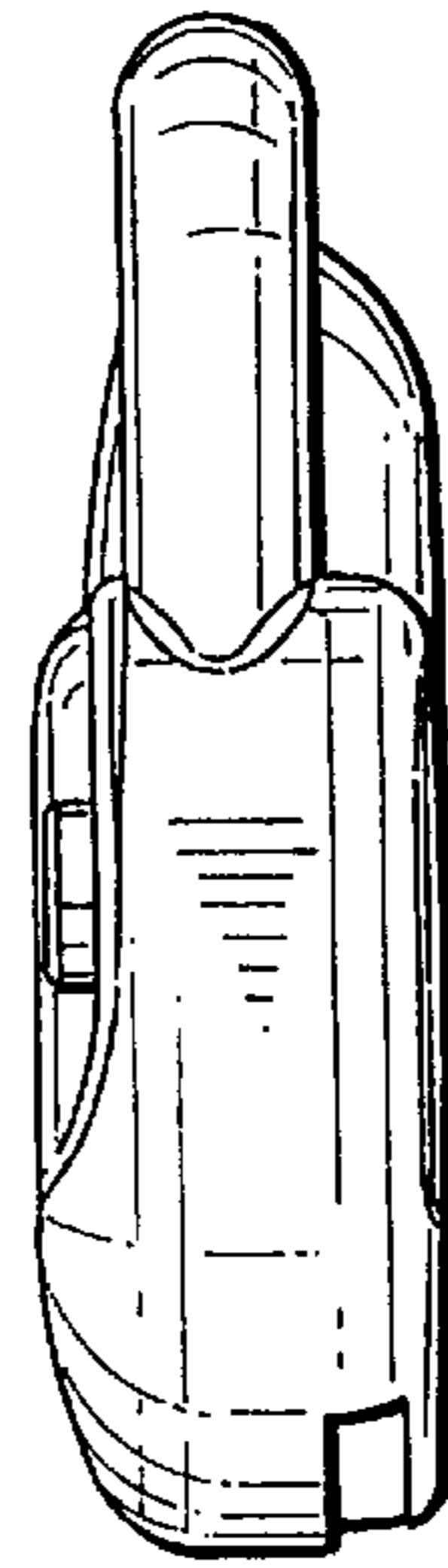


FIG. 5

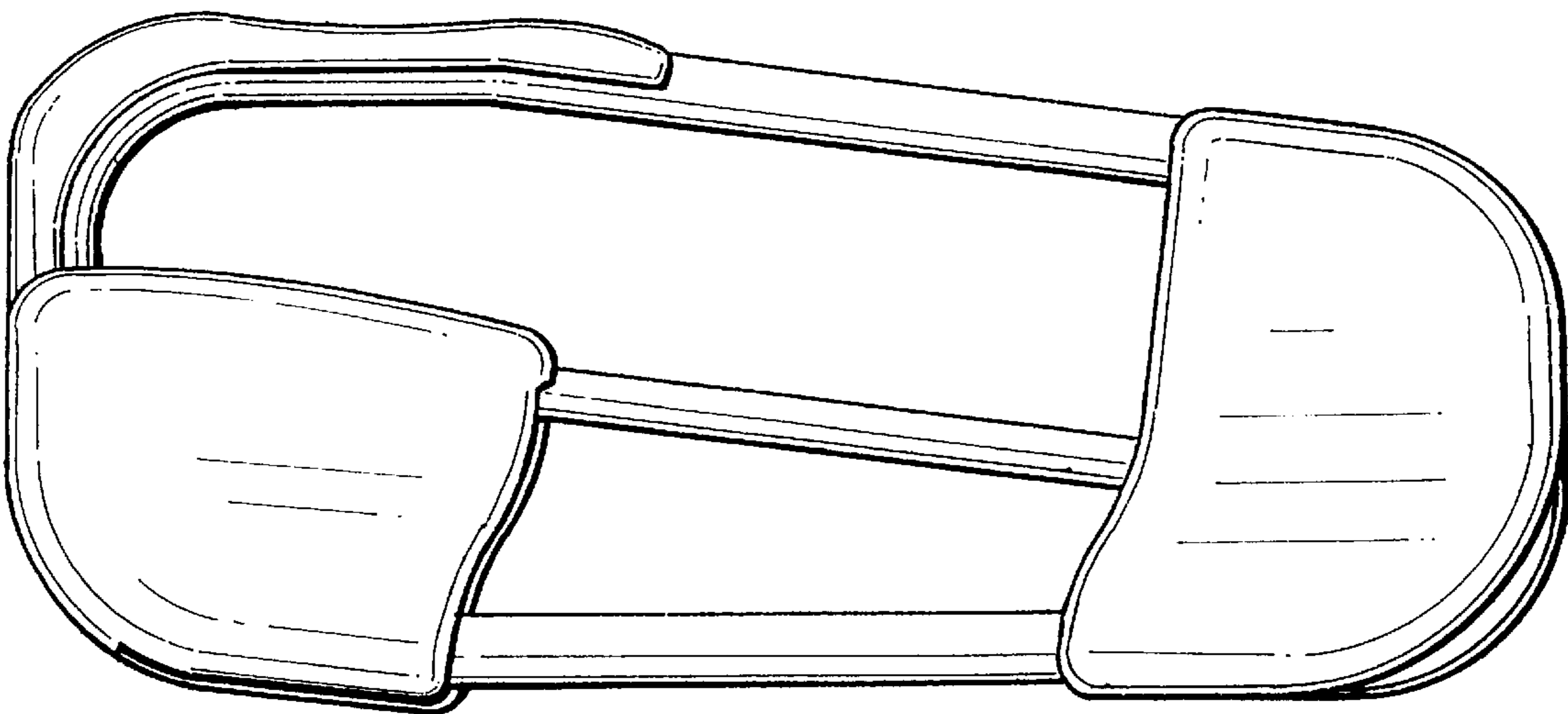


FIG. 4

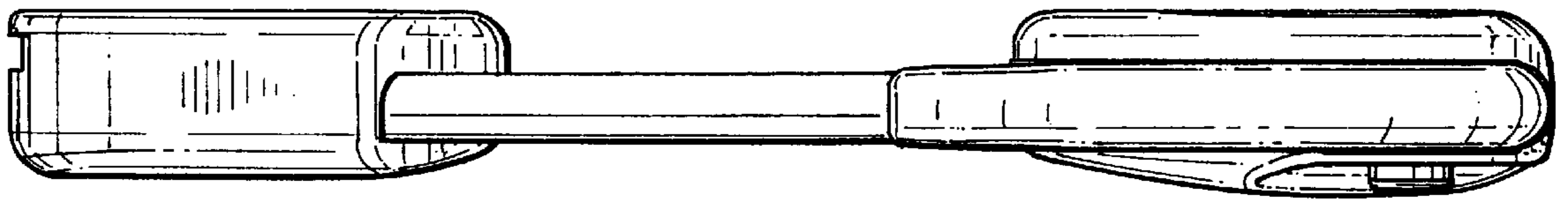


FIG. 6

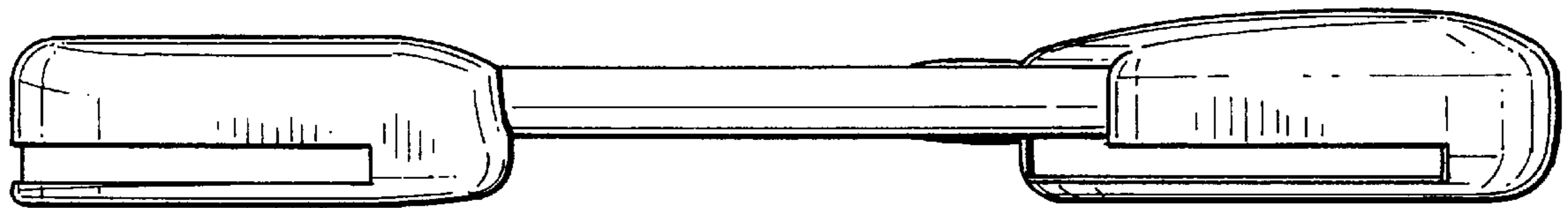


FIG. 7

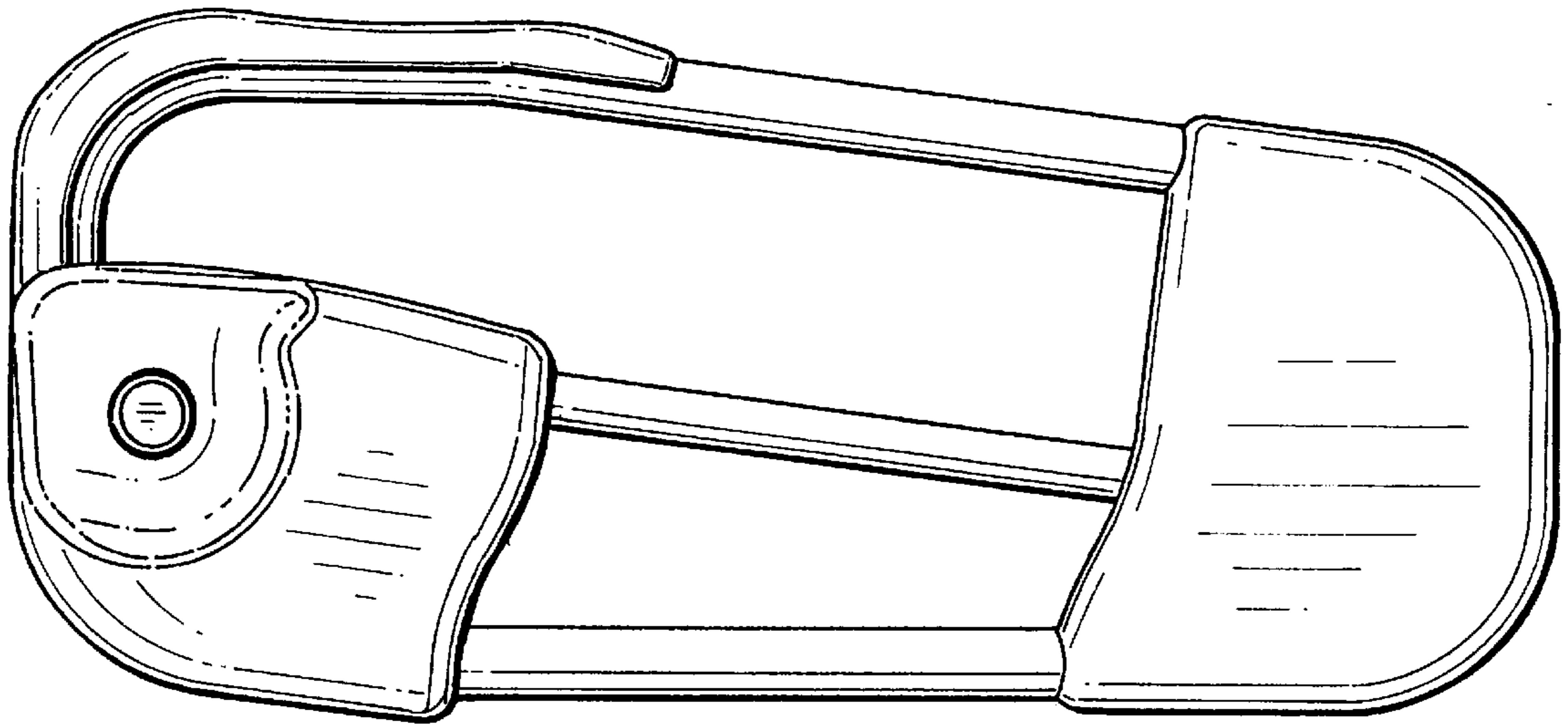


FIG. 8

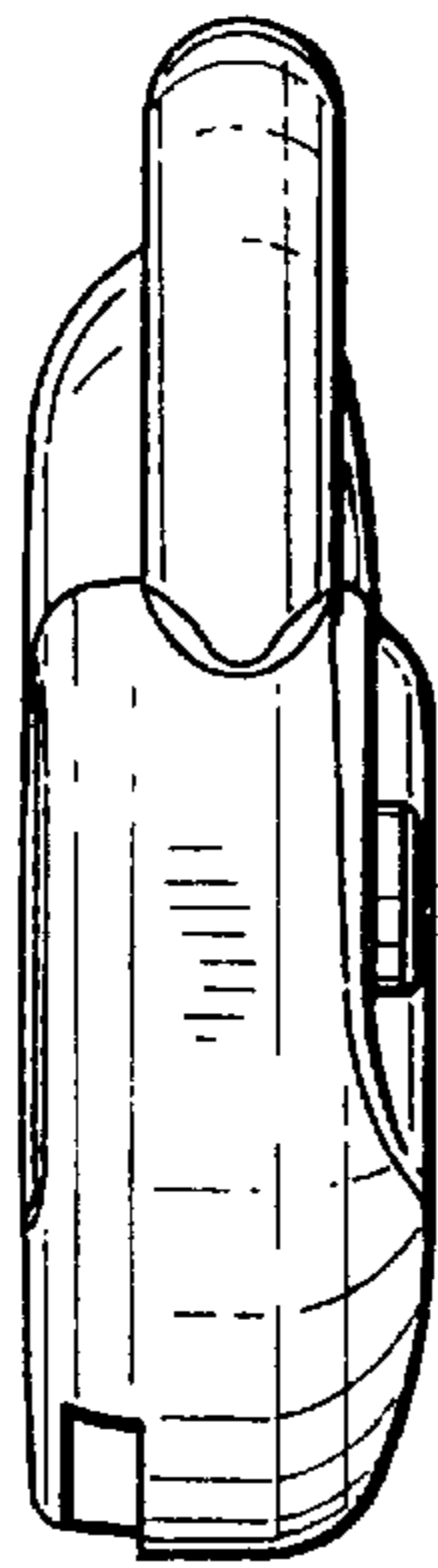


FIG. 9

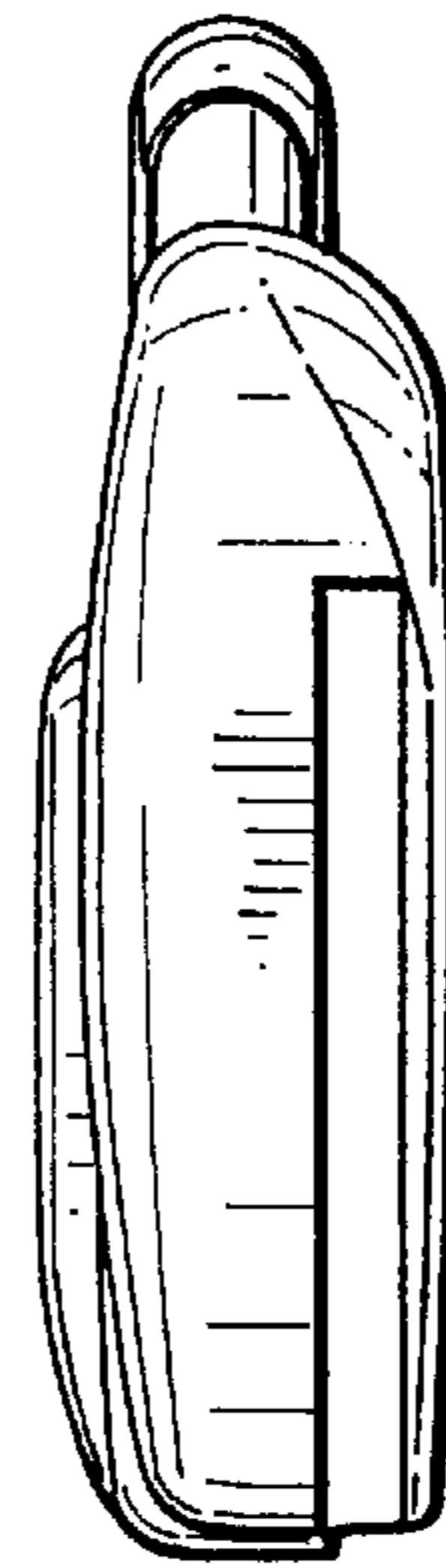


FIG. 11

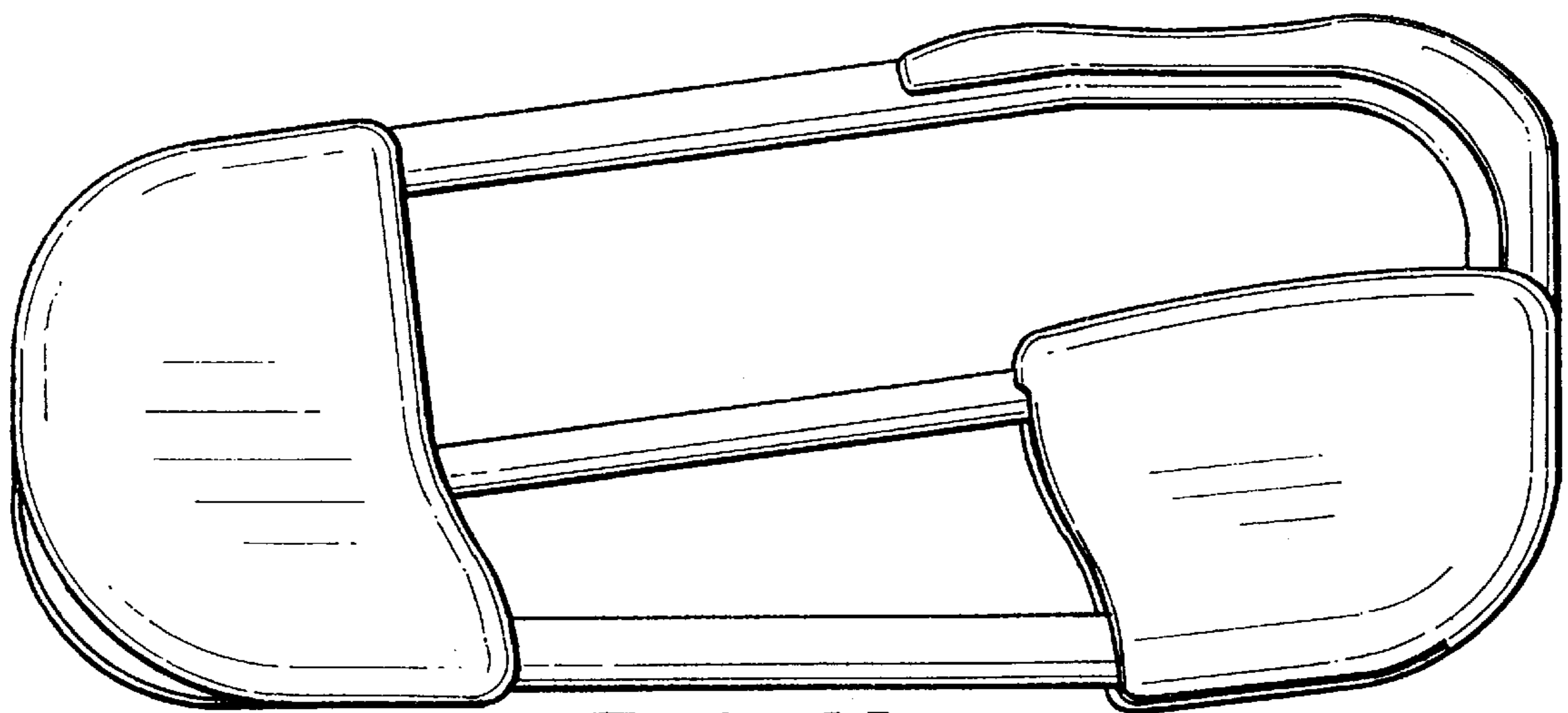


FIG. 10

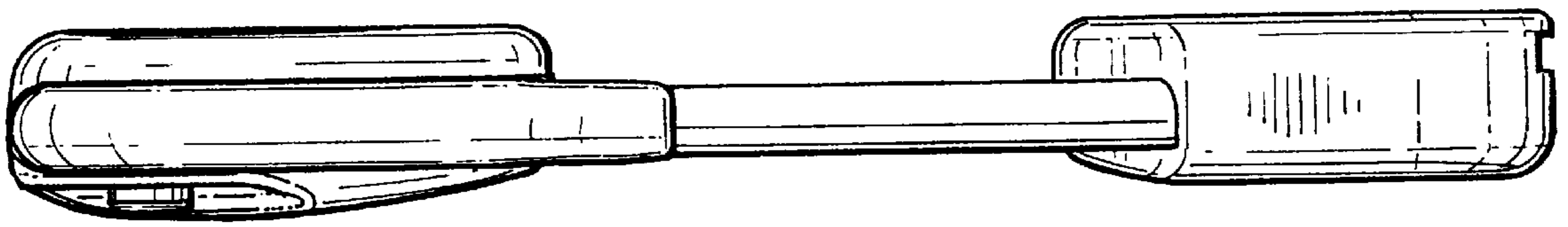


FIG. 12

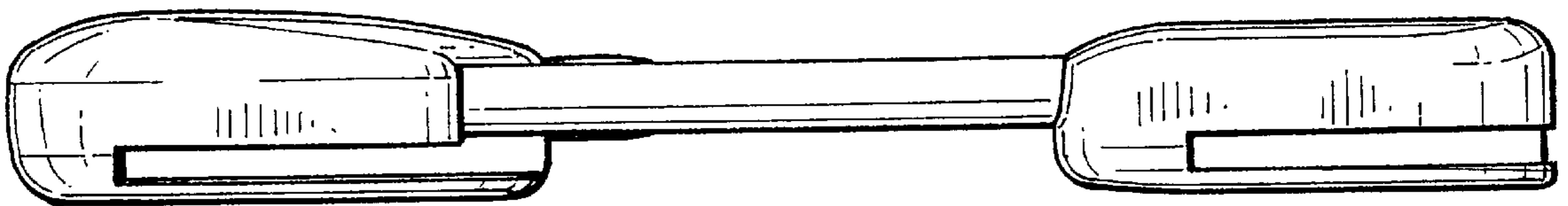


FIG. 13