



US00D436472S

(12) **United States Design Patent**
Allen

(10) **Patent No.:** **US D436,472 S**

(45) **Date of Patent:** **** Jan. 23, 2001**

(54) **SUPPORTING FRAME**

D. 296,171 * 6/1988 Murry D6/499
D. 318,967 * 8/1991 Murry D6/495

(75) Inventor: **Edward B. Allen**, S. Natick, MA (US)

* cited by examiner

(73) Assignees: **W. K. Wu Products Inc.**, Taipei (TW);
Lyndondesign, Inc., Newton Centre,
MA (US)

Primary Examiner—Janice E. Seeger
(74) *Attorney, Agent, or Firm*—Bacon & Thomas, PLLC

(**) Term: **14 Years**

(57) **CLAIM**

The ornamental design for a supporting frame, as shown.

(21) Appl. No.: **29/113,880**

DESCRIPTION

(22) Filed: **Nov. 16, 1999**

(51) **LOC (7) Cl.** **06-06**

FIG. 1 is a perspective view of a supporting frame showing my new design:

(52) **U.S. Cl.** **D6/498; D6/499; D6/487**

FIG. 2 is a front elevational view thereof:

(58) **Field of Search** D6/480–489, 495,
D6/496, 498, 499, 429; 108/153.1, 155,
156, 157.1, 161; 248/188, 188.1, 188.7

FIG. 3 is a rear elevational view thereof:

FIG. 4 is a left side elevational view thereof:

FIG. 5 is a right side elevational view thereof:

FIG. 6 is a top plan view thereof; and,

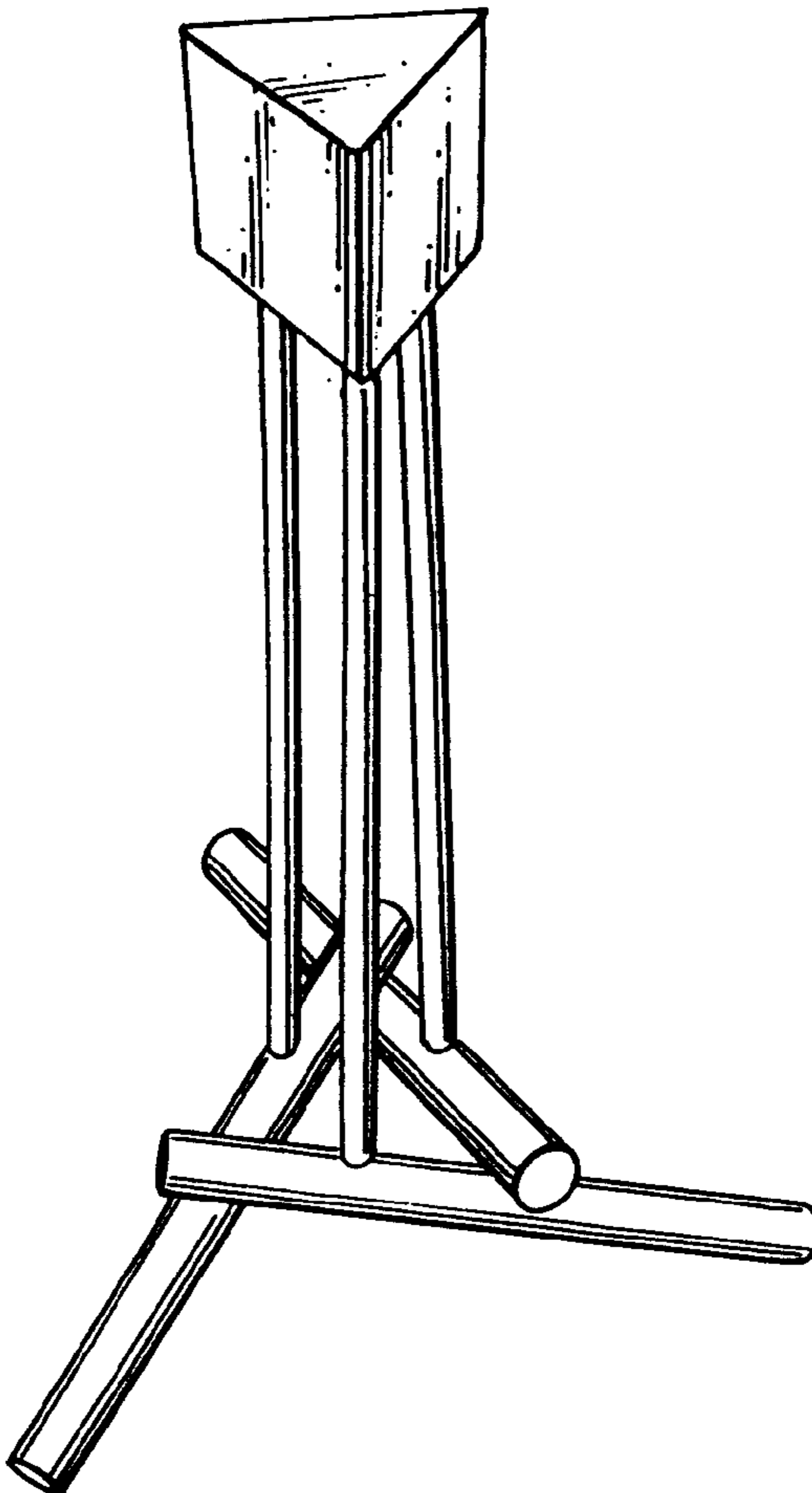
FIG. 7 is a bottom plan view thereof.

(56) **References Cited**

U.S. PATENT DOCUMENTS

D. 89,946 * 5/1933 Brown D6/487

1 Claim, 4 Drawing Sheets



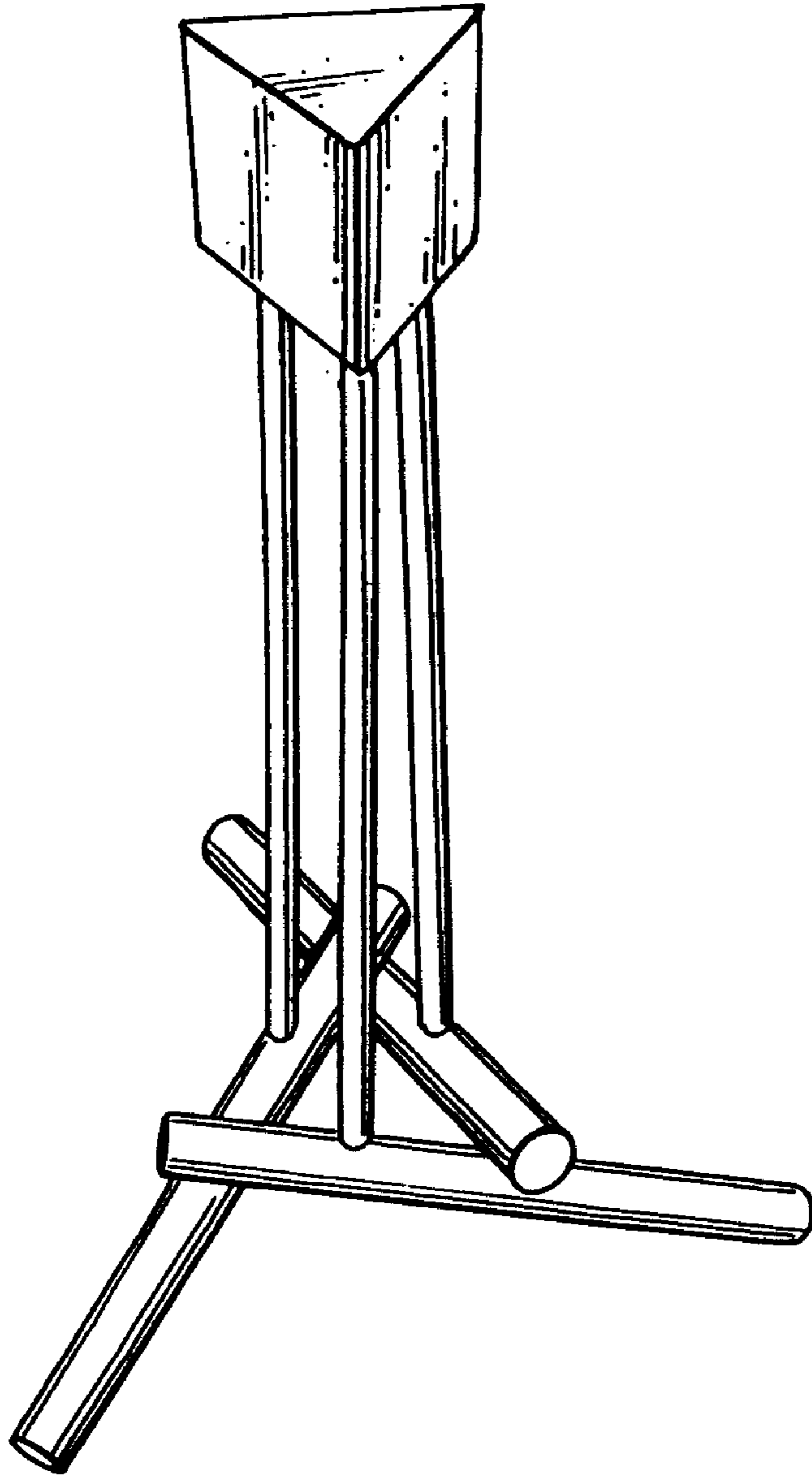


FIG .1

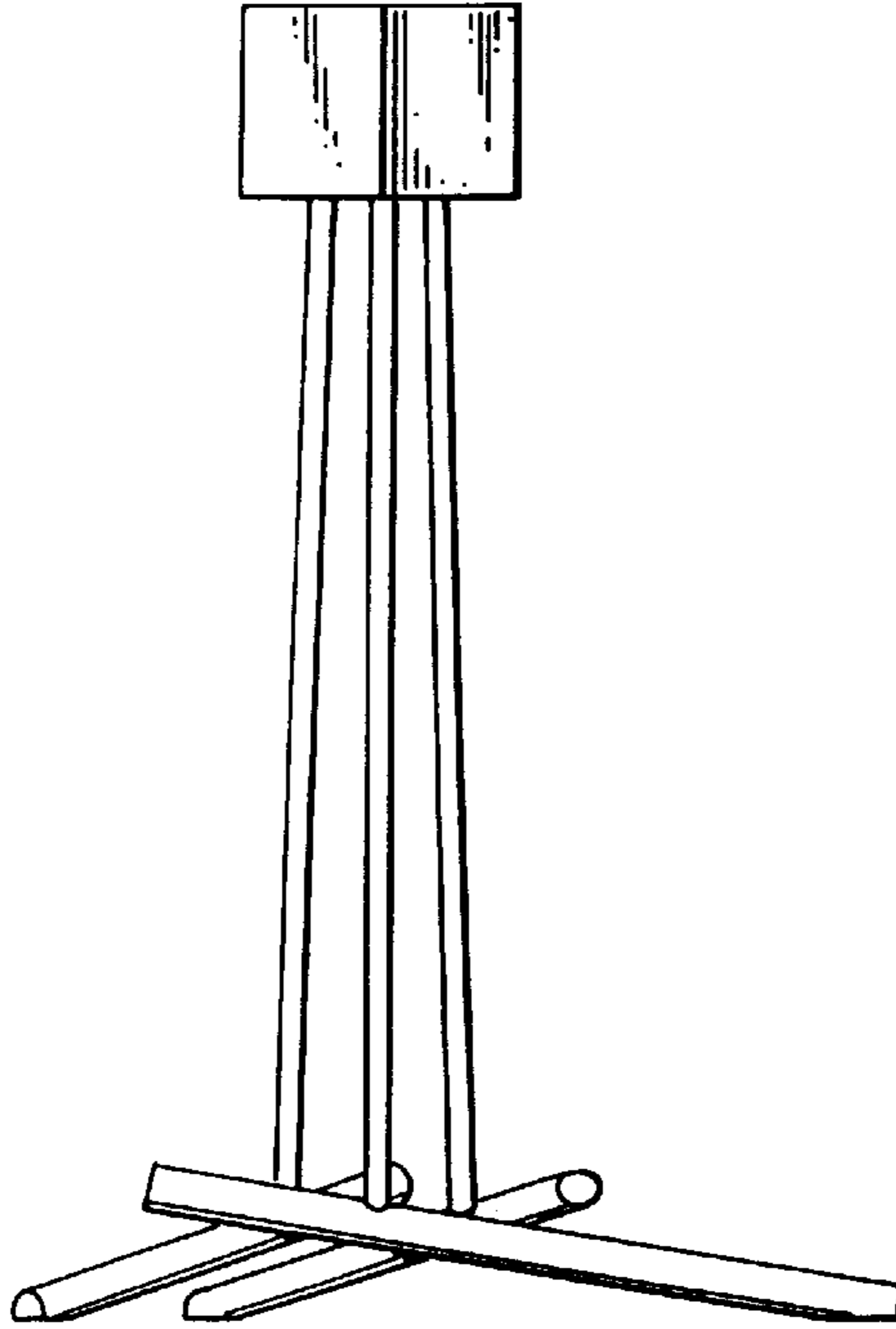


FIG. 2

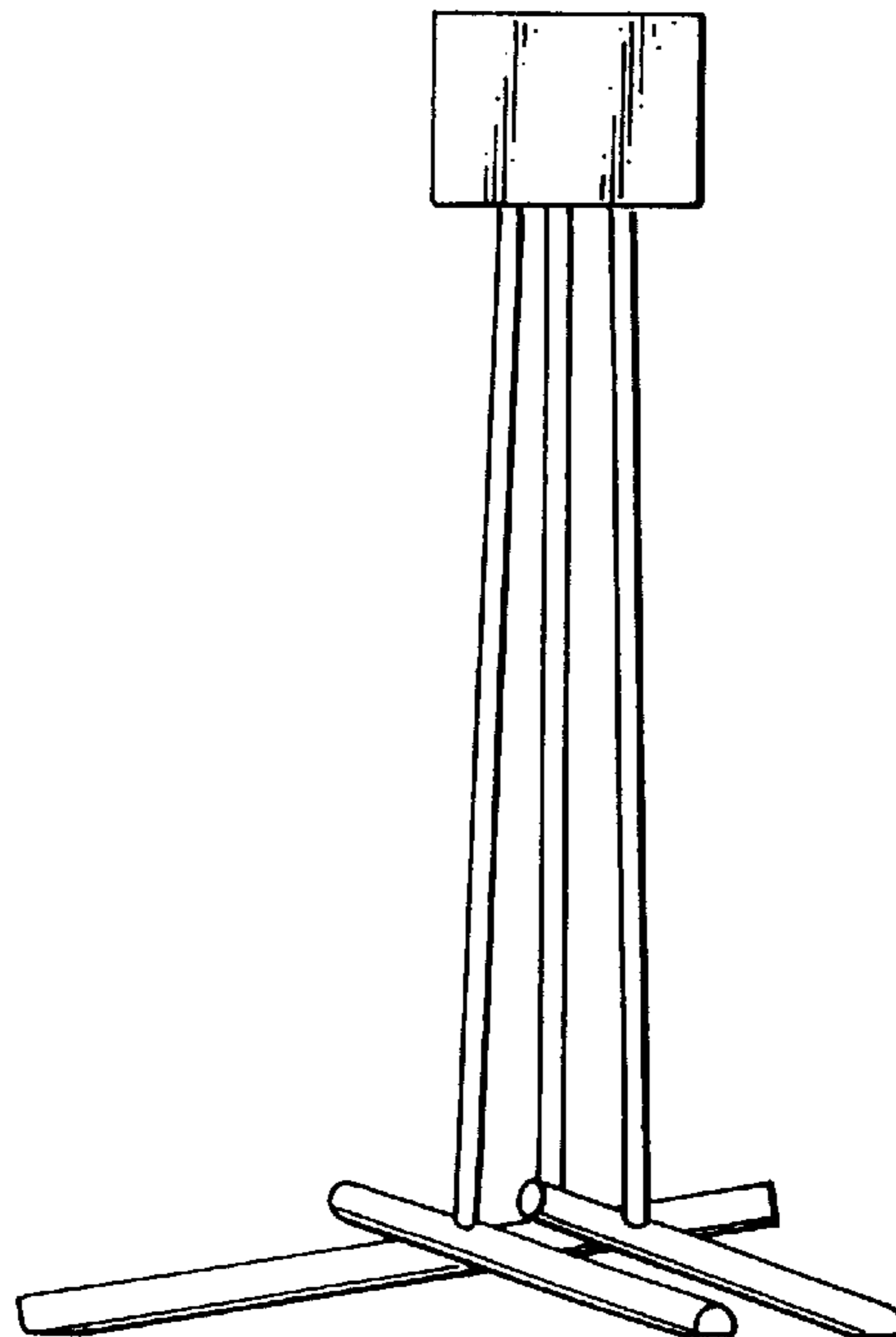


FIG. 3

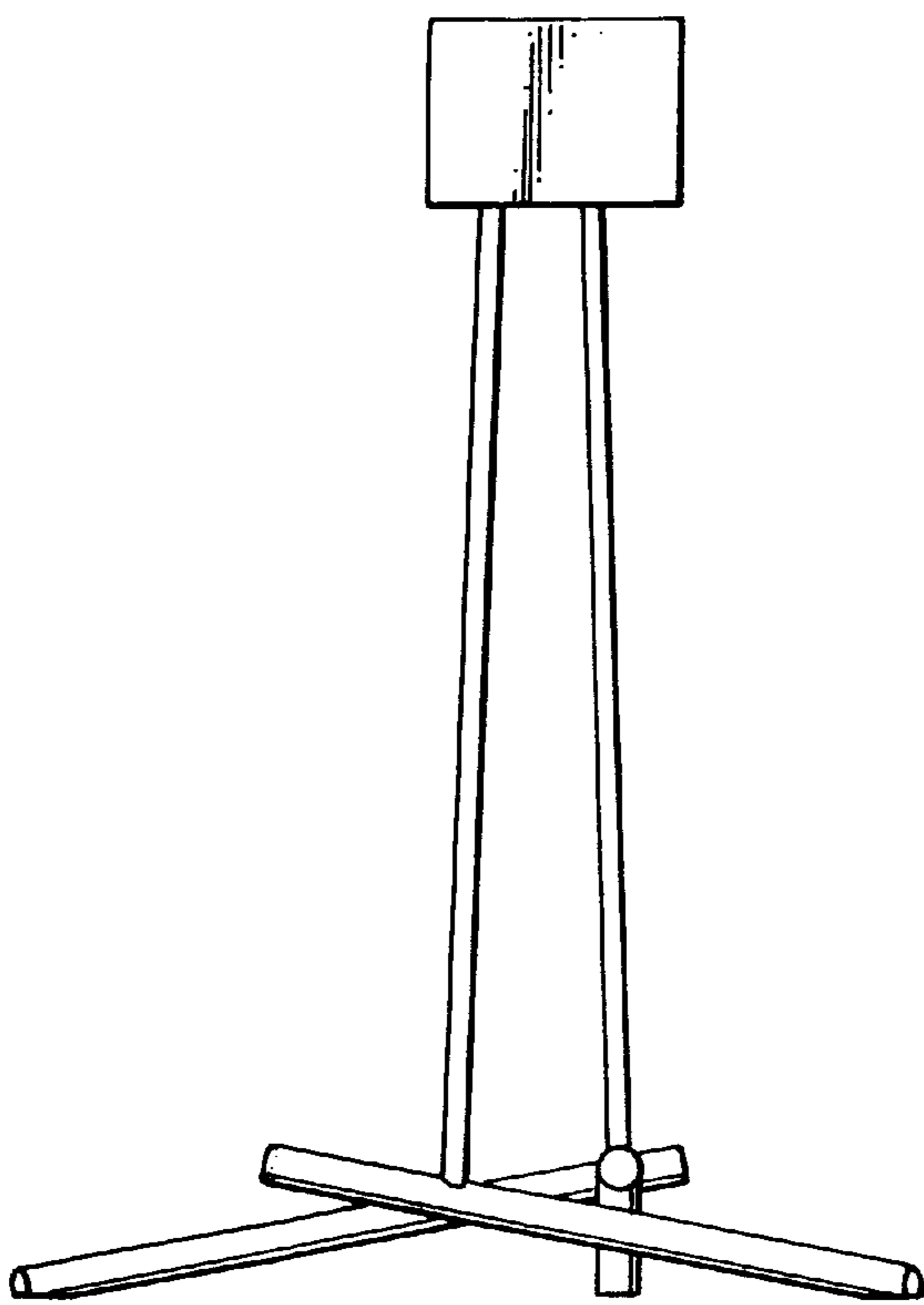


FIG .4

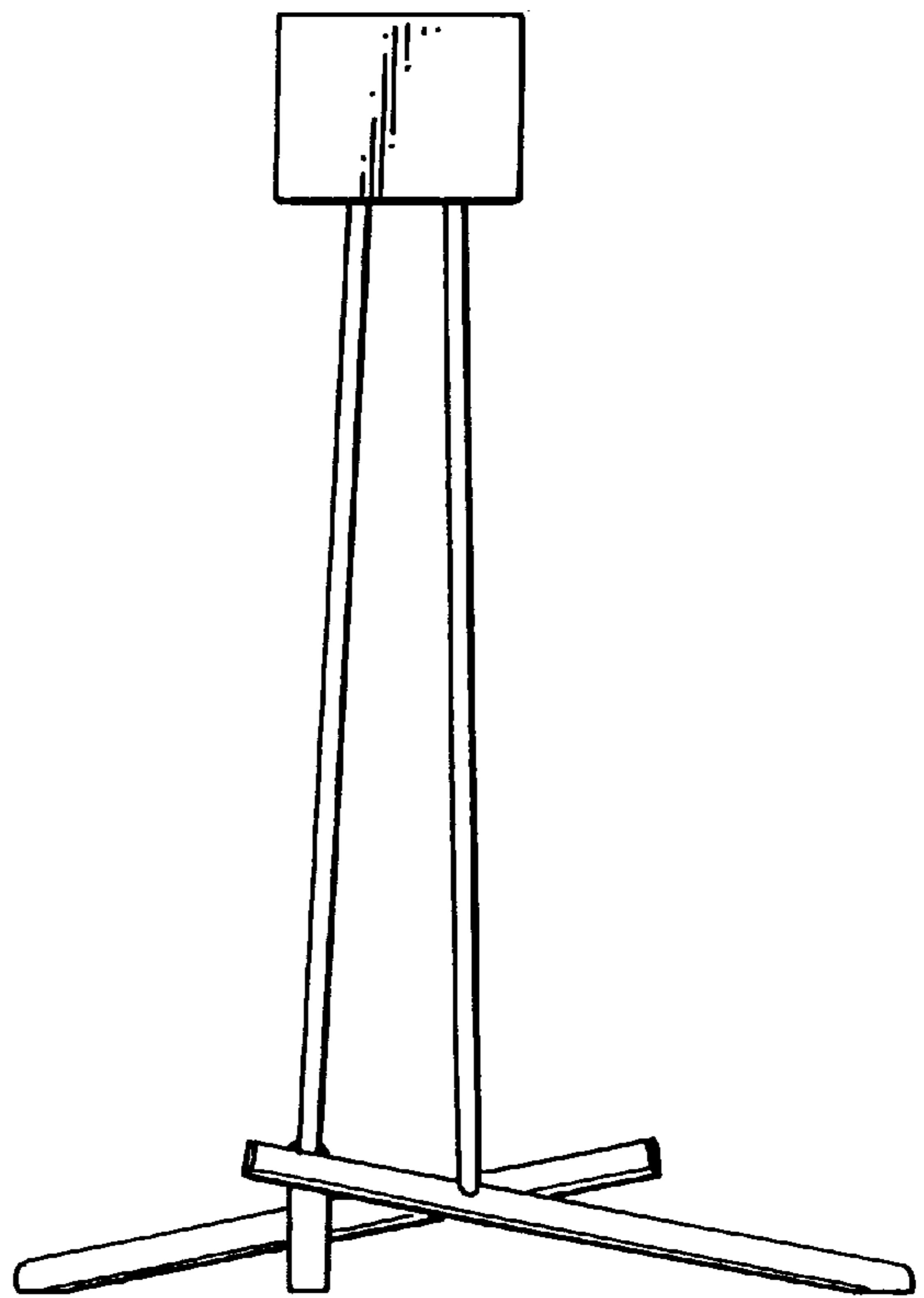


FIG .5

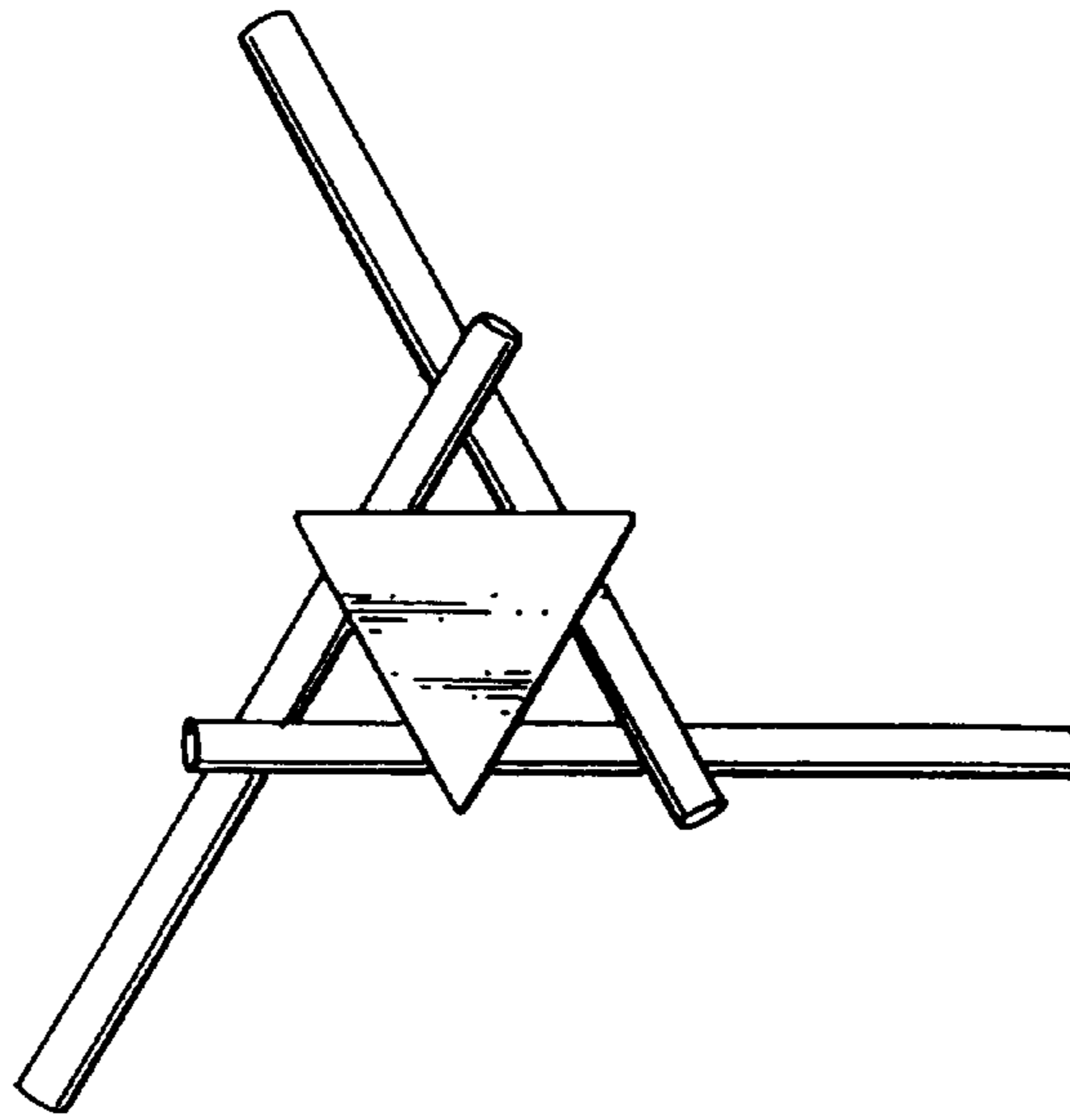


FIG .6

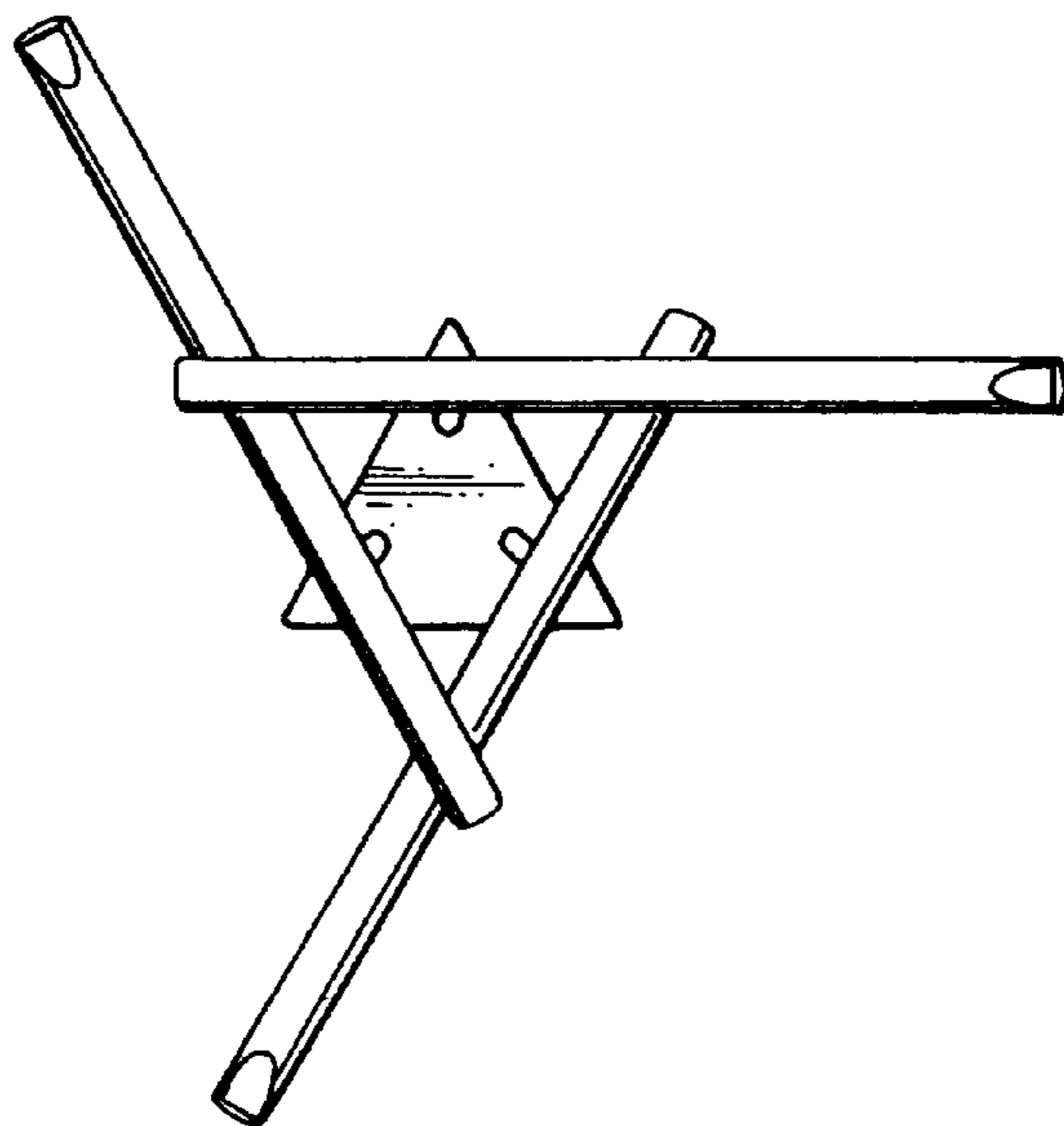


FIG .7