



US00D436470S

(12) **United States Design Patent**
Paul

(10) **Patent No.:** **US D436,470 S**

(45) **Date of Patent:** **** Jan. 23, 2001**

(54) **COMPUTER DESK**

D. 260,716 * 9/1981 Cohen et al. D6/474

(75) Inventor: **Stewart Paul**, Princeton Junction, NJ
(US)

* cited by examiner

(73) Assignee: **P.J. Kids, LLC**, Princeton, NJ (US)

Primary Examiner—Janice E. Seeger

(74) *Attorney, Agent, or Firm*—Norman E. Lehrer

(**) Term: **14 Years**

(57) **CLAIM**

(21) Appl. No.: **29/121,640**

The ornamental design for a “computer desk”, as shown and described.

(22) Filed: **Apr. 10, 2000**

(51) **LOC (7) Cl.** **06-03**

DESCRIPTION

(52) **U.S. Cl.** **D6/480; D6/485; D6/426**

(58) **Field of Search** D6/422, 423, 426–428,
D6/429, 480, 482, 483, 484, 485, 511;
108/59, 50.01, 50.02, 92; 312/194–196,
208.1

FIG. 1 is a front elevational view of a “computer desk” showing my new design;

FIG. 2 is a bottom front perspective view thereof;

FIG. 3 is a top rear perspective view thereof; and,

FIG. 4 is a rear elevational view thereof.

(56) **References Cited**

U.S. PATENT DOCUMENTS

D. 249,003 * 8/1978 Alexander D6/485

1 Claim, 2 Drawing Sheets

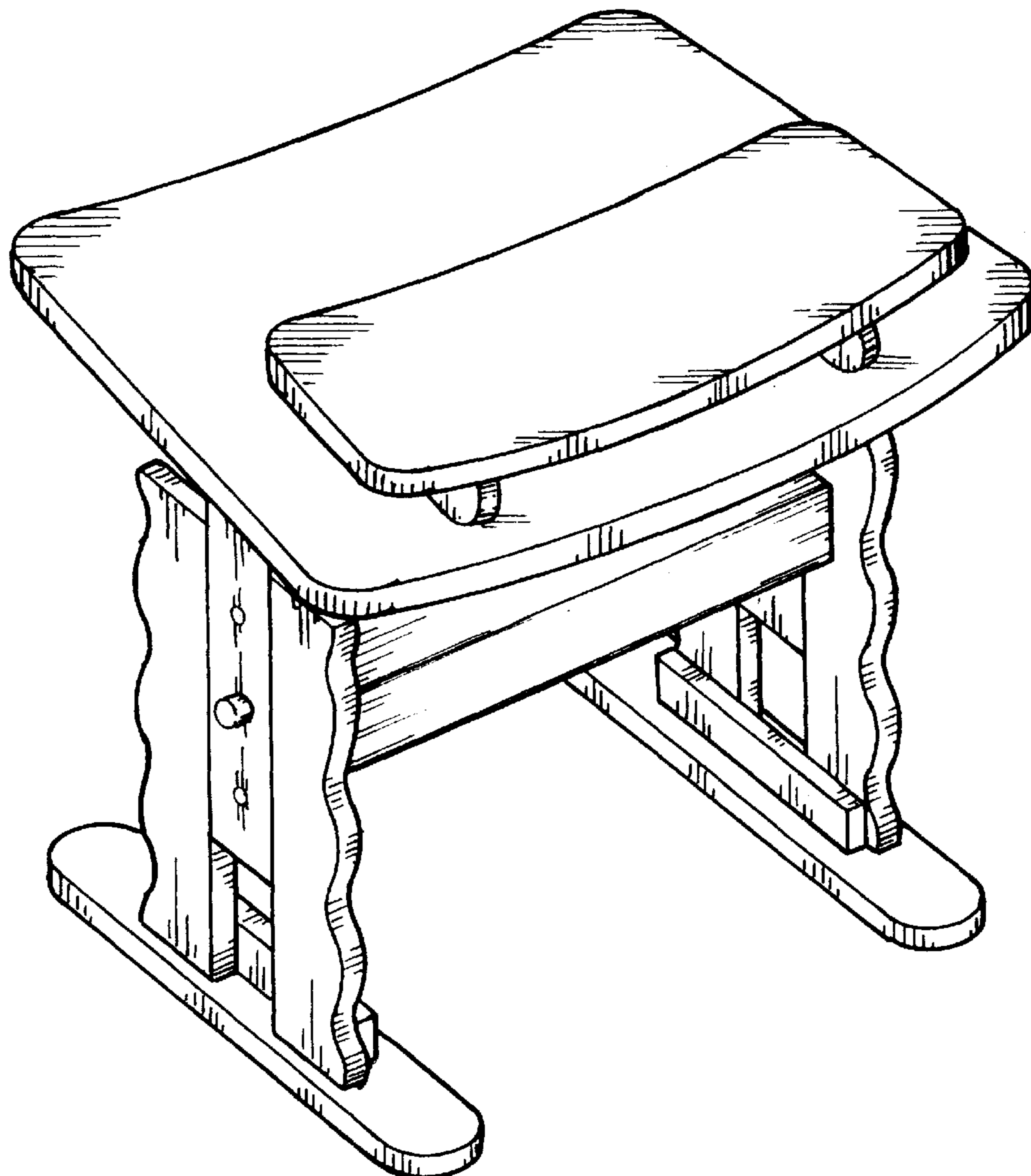


Fig. 1

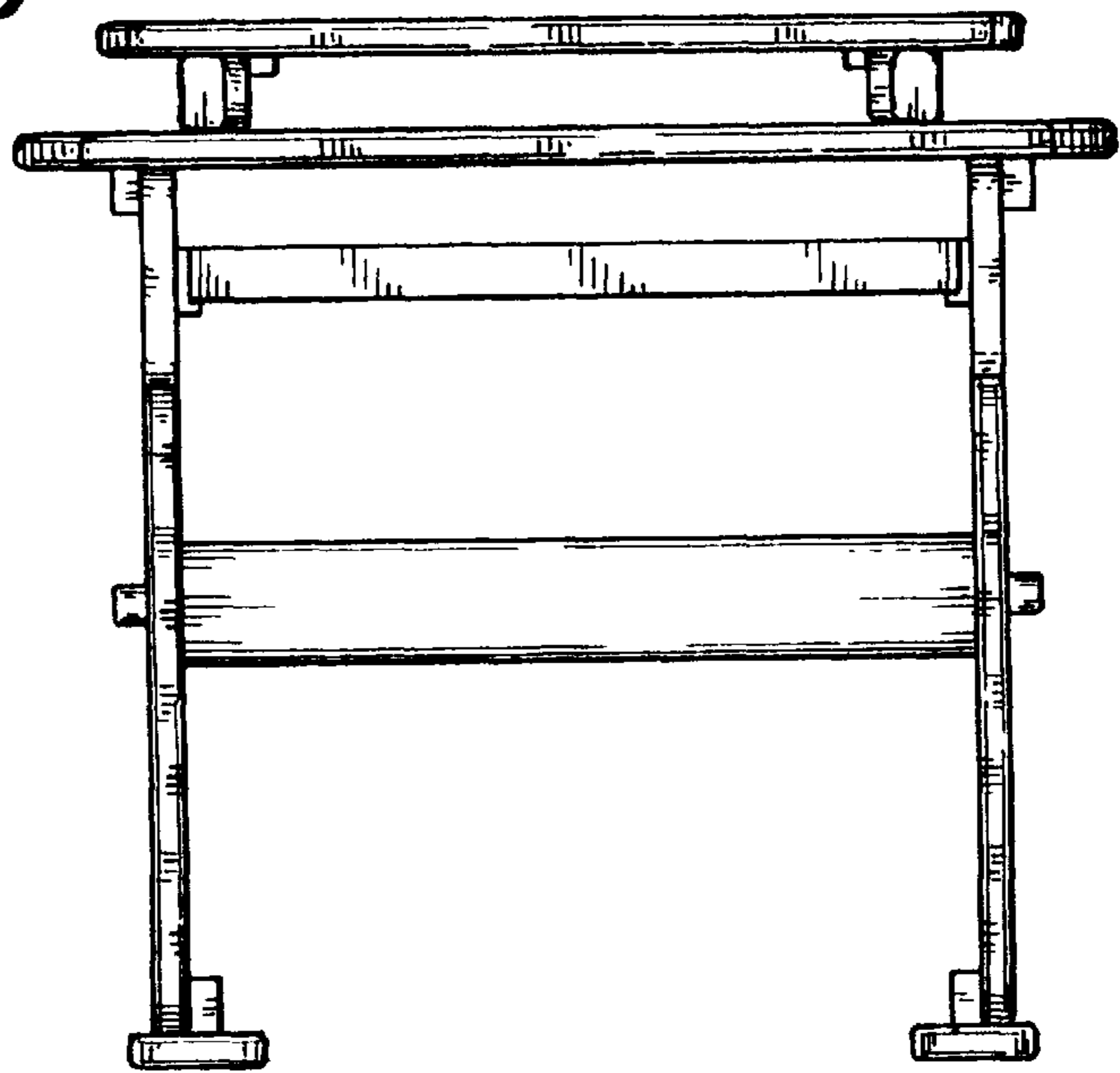


Fig. 2

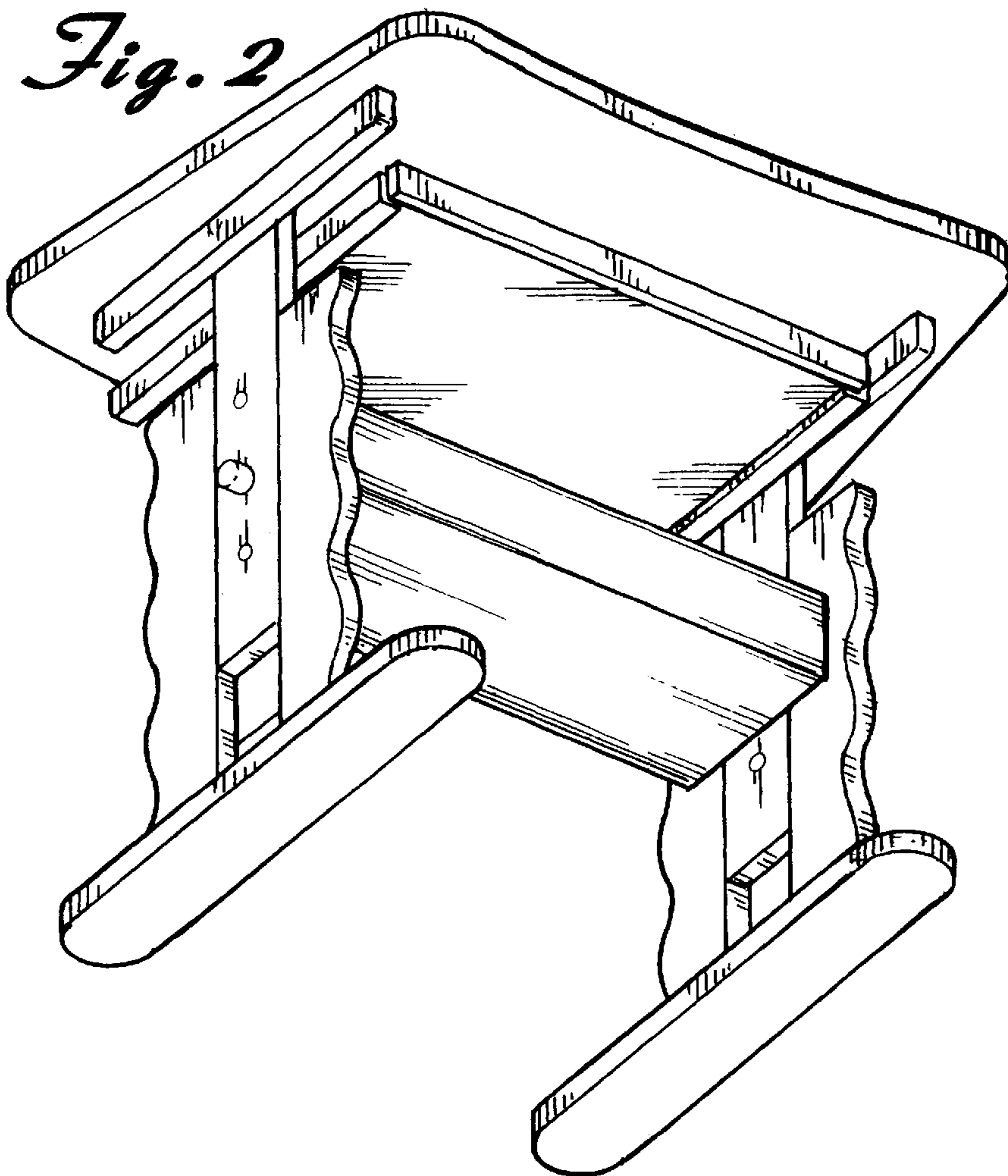


Fig. 3

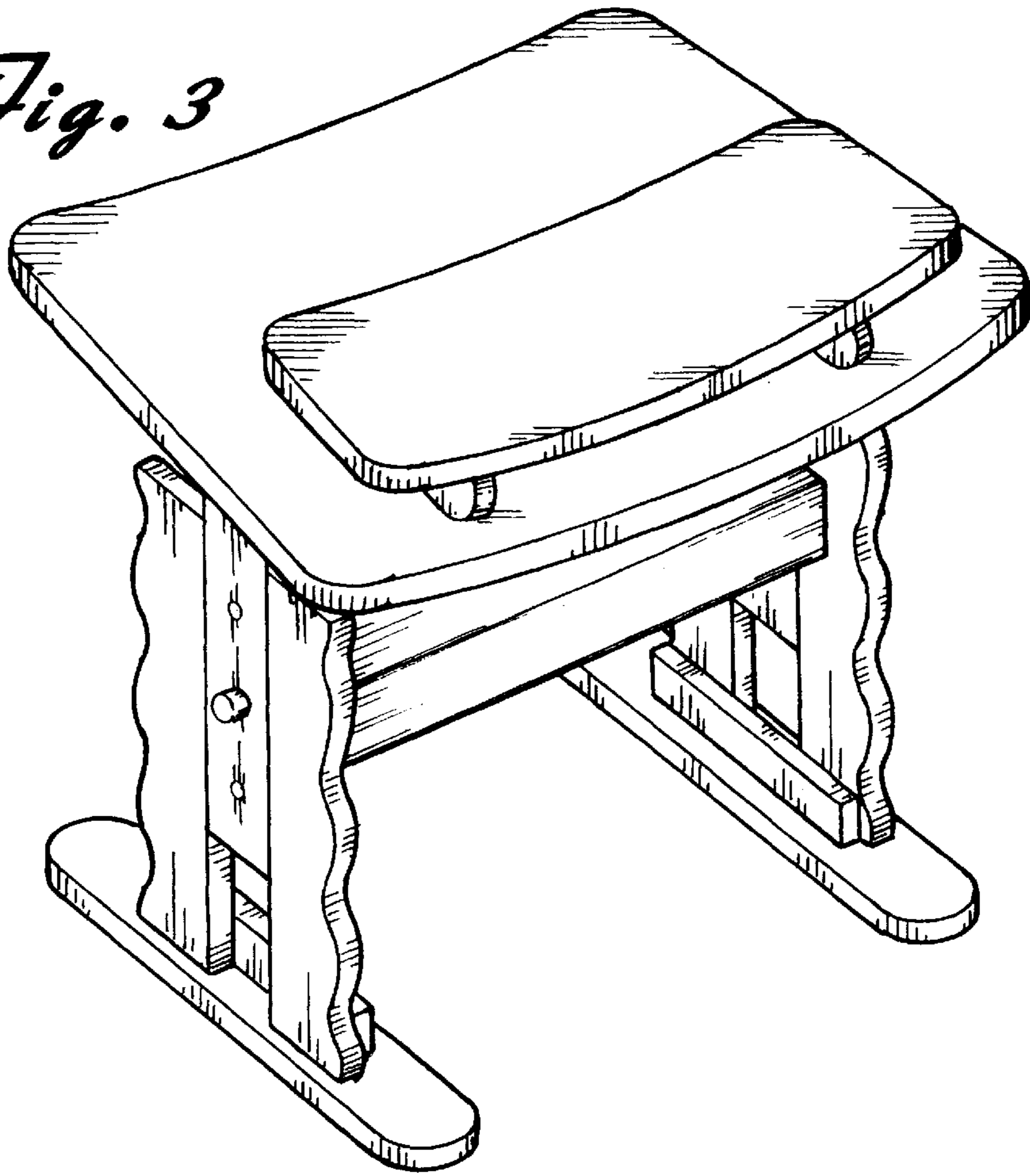


Fig. 4

