



US00D436469S

(12) **United States Design Patent**
Idaszak et al.

(10) **Patent No.:** **US D436,469 S**
(45) **Date of Patent:** **** Jan. 23, 2001**

(54) **WORKSTATION**
(75) Inventors: **Raymond L. Idaszak**, Apex; **Richard W. Zobel, Jr.**, Raleigh, both of NC (US); **D'nardo Colucci**, Minneapolis, MN (US); **Suresh Balu**, Carrboro, NC (US)

5,394,198 2/1995 Janow 348/744
5,502,481 3/1996 Detinger et al. 348/51
5,762,413 6/1998 Colucci et al. 353/122
6,034,717 3/2000 Detinger et al. 348/51

(73) Assignee: **Elumens Corporation**, Cary, NC (US)
(**) Term: **14 Years**

* cited by examiner
Primary Examiner—Janice E. Seeger
(74) *Attorney, Agent, or Firm*—Myers Bigel Sibley & Sajovec

(21) Appl. No.: **29/118,413**
(22) Filed: **Feb. 8, 2000**

(57) **CLAIM**
The ornamental design for a workstation, as shown and described.

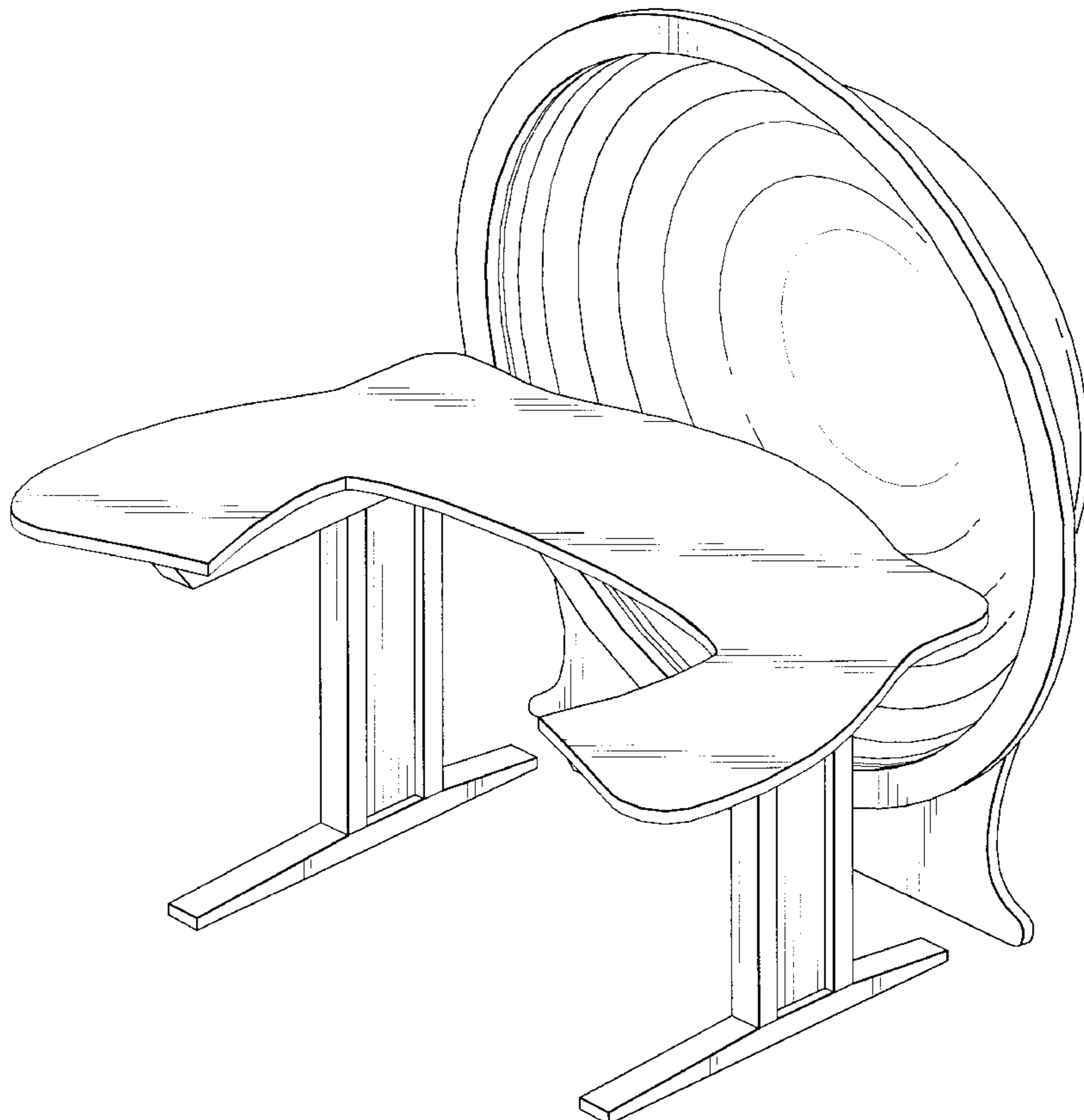
(51) **LOC (7) Cl.** **06-03**
(52) **U.S. Cl.** **D6/480**; D6/421; D16/221
(58) **Field of Search** D6/422, 421, 423, D6/426-428, 484, 480, 482, 485, 483; 108/59, 50.01, 50.02, 92; 312/194-196, 208, 1; D16/221, 222, 225; 348/744

DESCRIPTION

FIG. 1 is a, front perspective view of a workstation showing our new design;
FIG. 2 is a front elevational view of the workstation of FIG. 1;
FIG. 3 is a rear elevational view of the workstation of FIG. 1;
FIG. 4 is a top plan view of the workstation of FIG. 1;
FIG. 5 is a bottom plan view of the workstation of FIG. 1.
FIG. 6 is a right side elevational view of the workstation of FIG. 1; and,
FIG. 7 is a left side elevational view of the workstation of FIG. 1.

(56) **References Cited**
U.S. PATENT DOCUMENTS
D. 241,214 * 8/1976 Szucs D6/428
D. 389,680 * 1/1998 Moore D6/511
D. 405,981 * 2/1999 Alexander et al. D6/426
3,311,017 * 3/1967 Eckholm D16/221

1 Claim, 7 Drawing Sheets



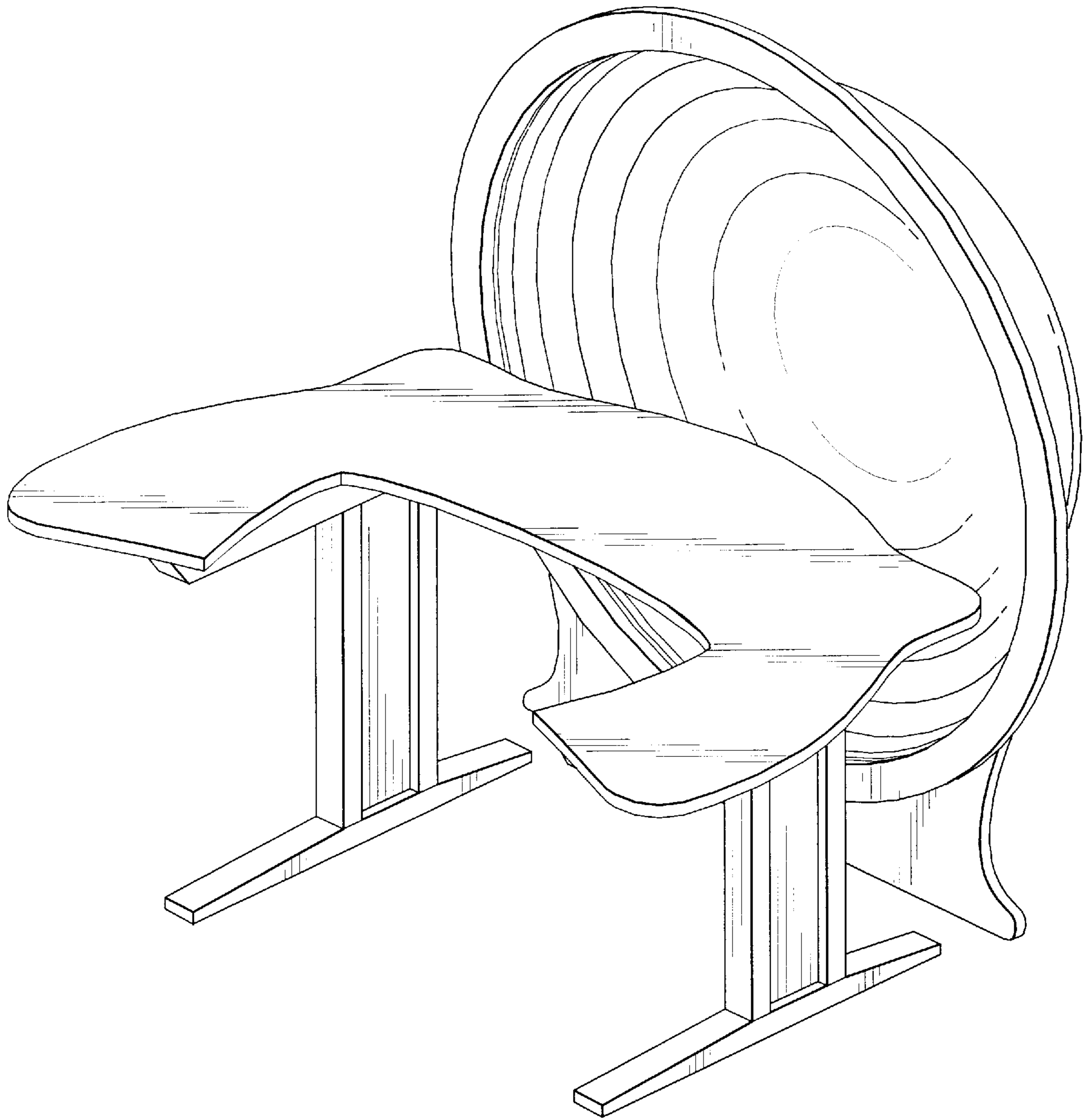


FIG. 1.

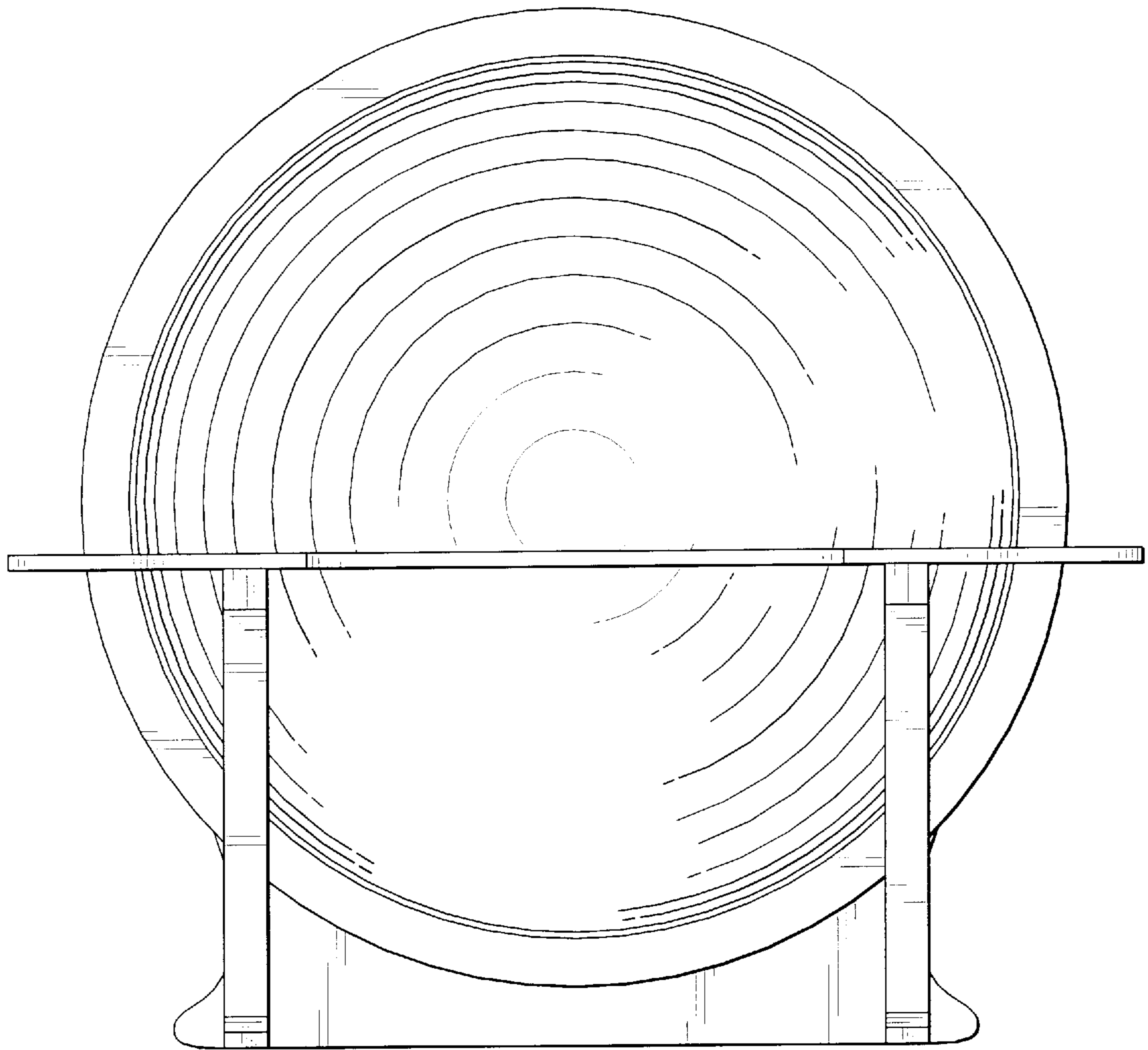


FIG. 2.

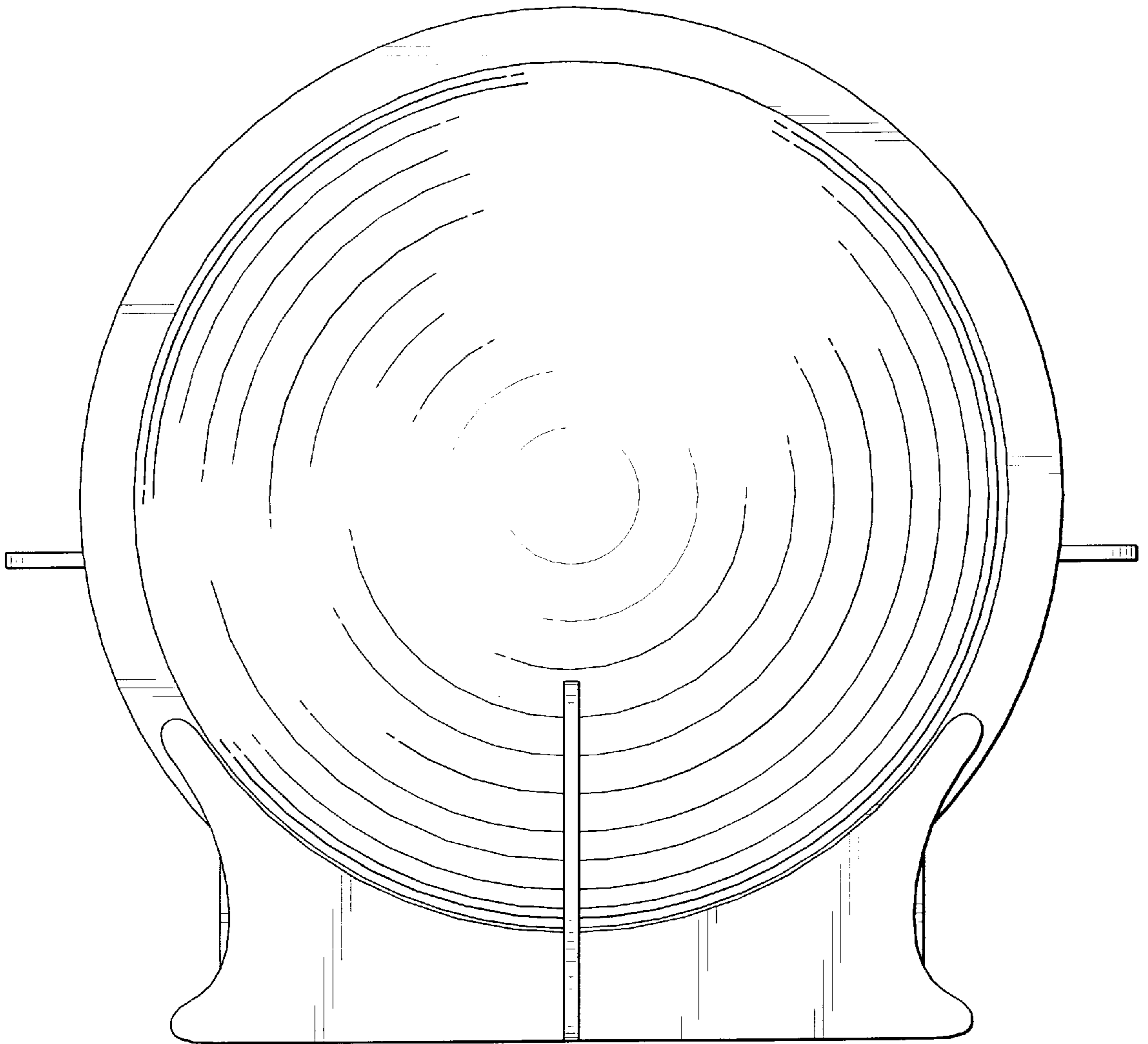


FIG. 3.

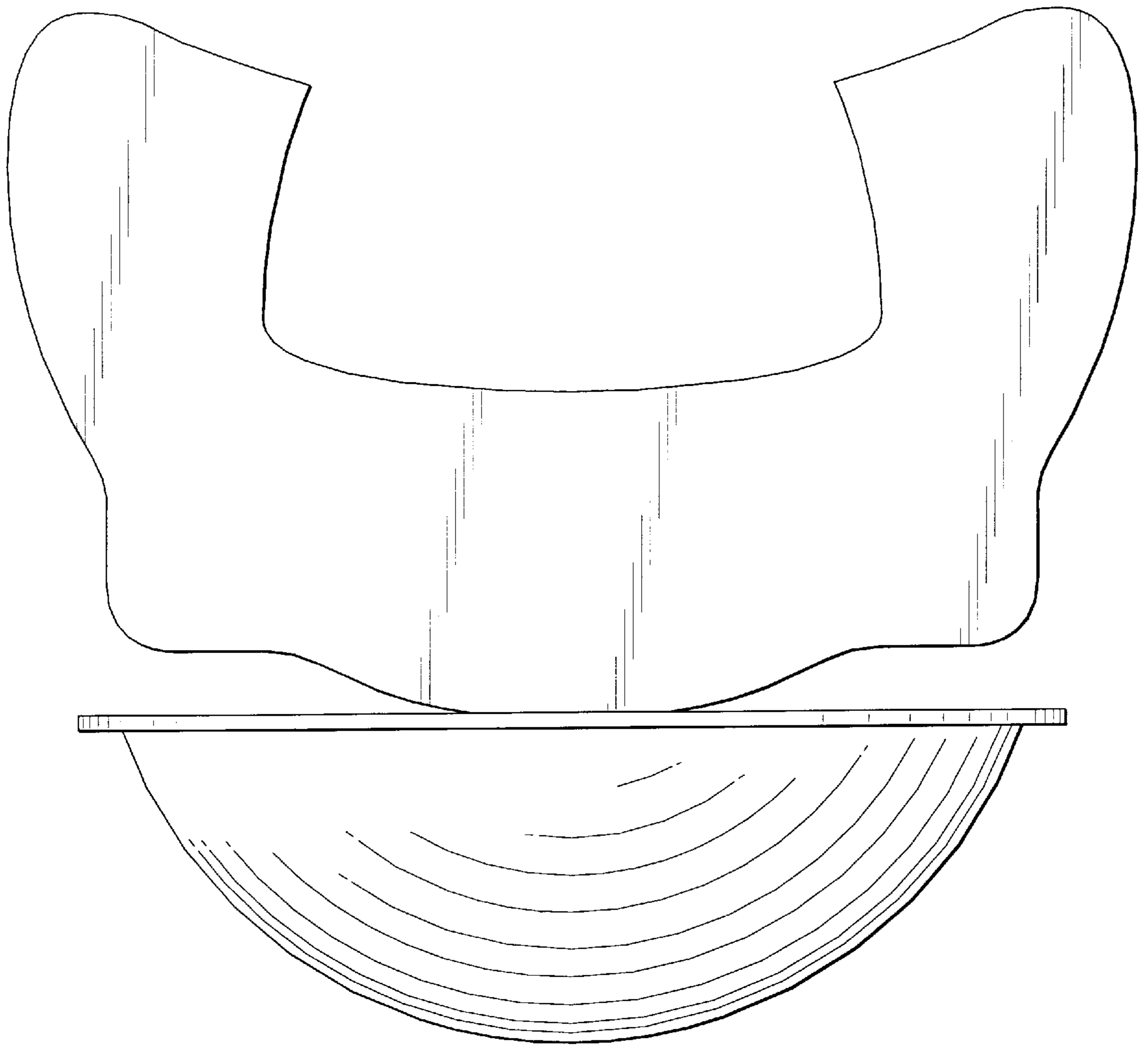


FIG. 4.

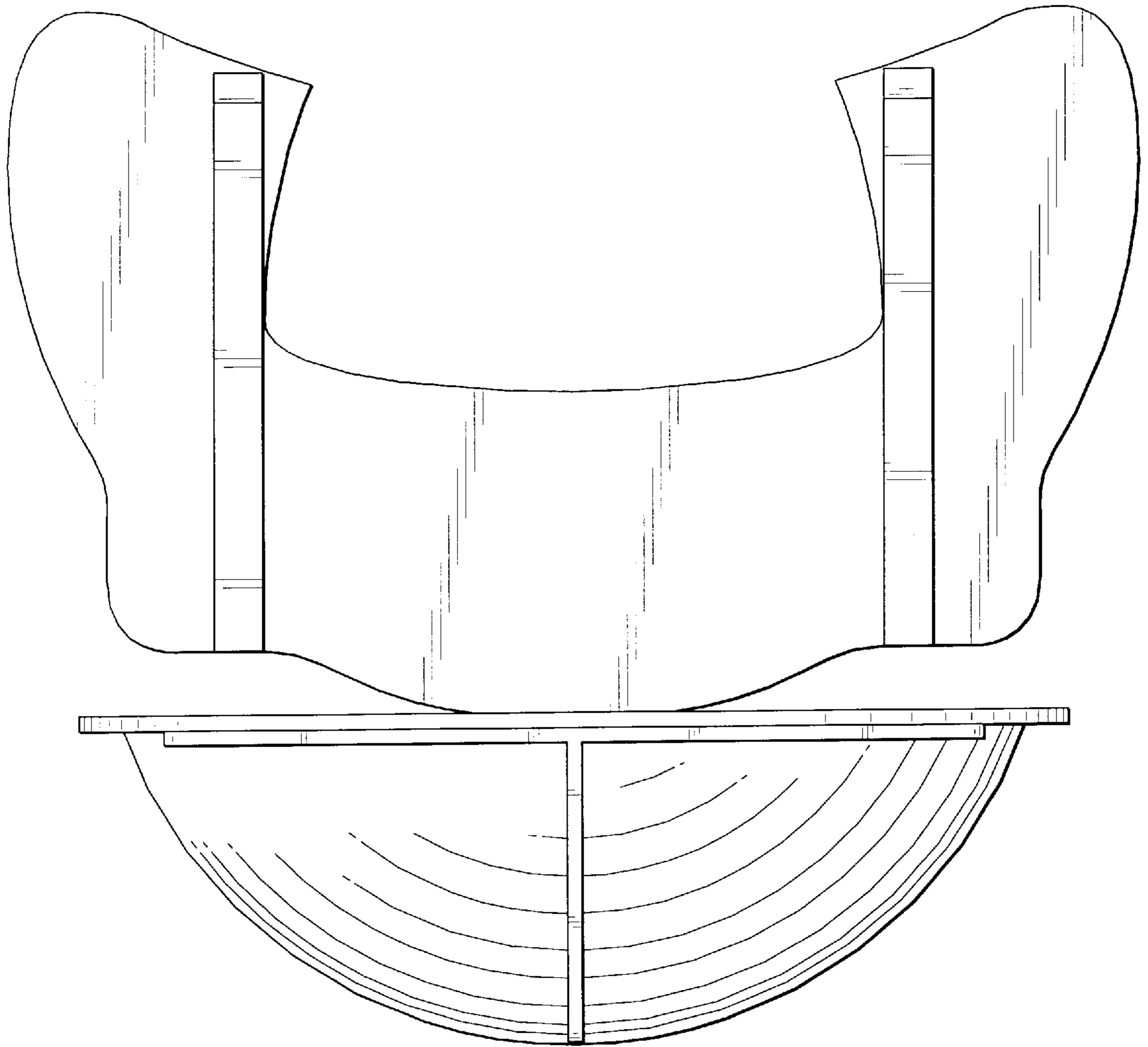


FIG. 5.

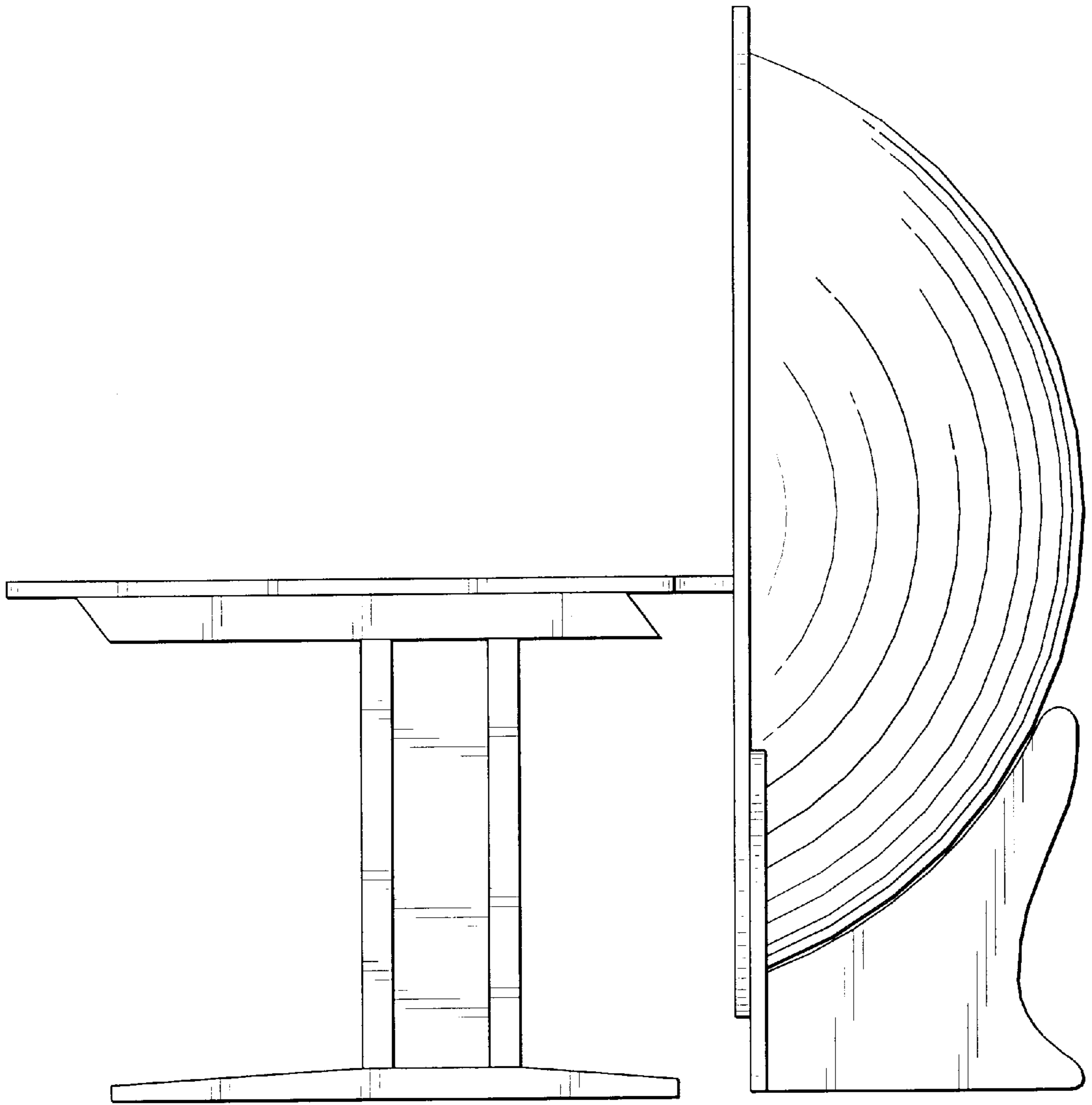


FIG. 6.

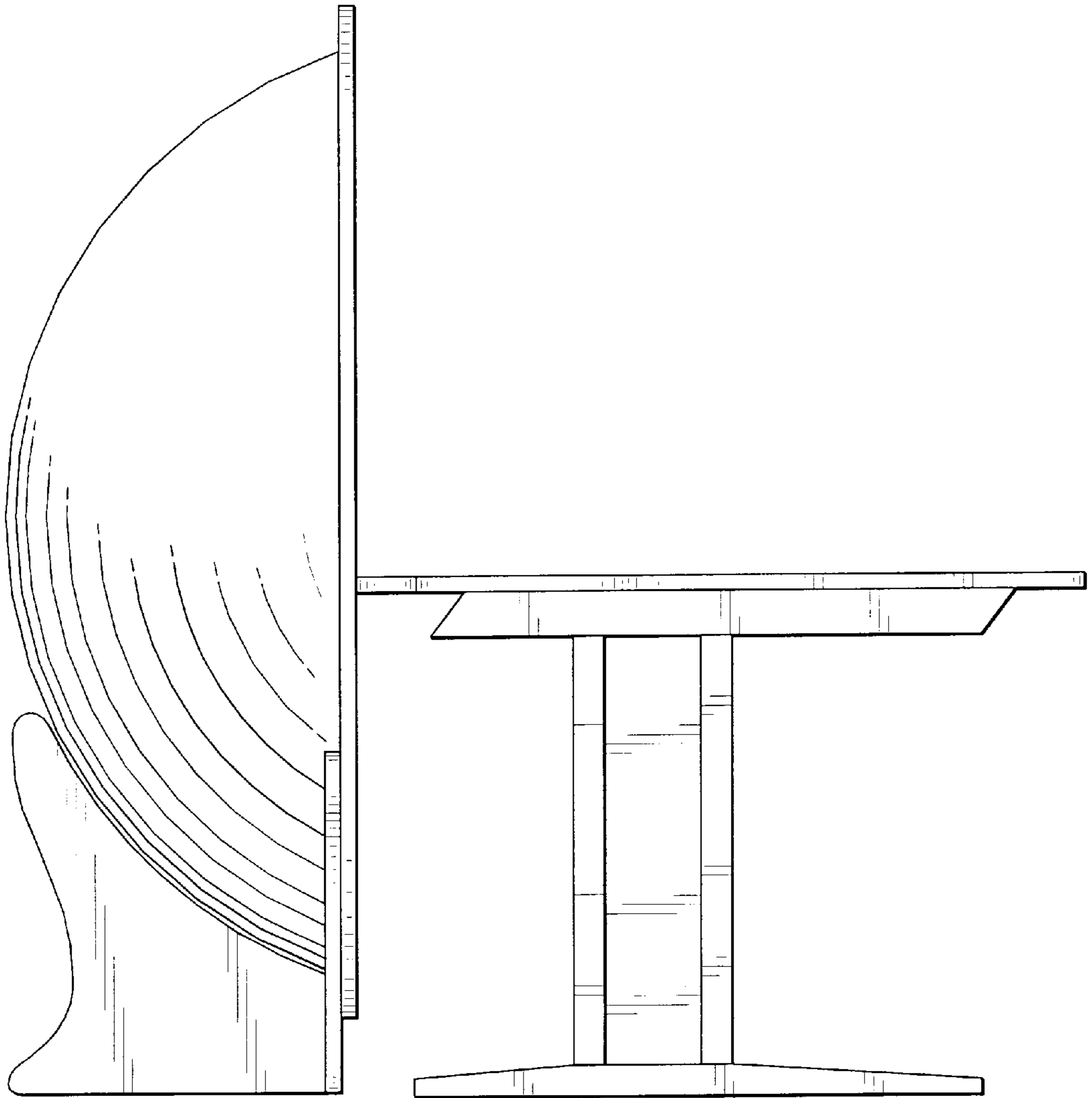


FIG. 7.