



US00D436467S

(12) **United States Design Patent**
McGee

(10) **Patent No.:** **US D436,467 S**
(45) **Date of Patent:** **** Jan. 23, 2001**

(54) **TABLE**

(75) Inventor: **Lawrence McGee**, Lenoir, NC (US)

(73) Assignee: **La-Z-Boy Incorporated**, Monroe, MI (US)

(**) Term: **14 Years**

(21) Appl. No.: **29/103,603**

(22) Filed: **Apr. 14, 1999**

(51) **LOC (7) Cl.** **06-03**

(52) **U.S. Cl.** **D6/480; D6/477; D6/487**

(58) **Field of Search** D6/480-489, 495, D6/496, 499, 511, 436, 477-479, 432; 108/153.1, 155, 156, 161; 248/188, 188.1, 188.8

(56) **References Cited**

U.S. PATENT DOCUMENTS

- D. 374,138 * 10/1996 Paus D6/484
- D. 374,139 * 10/1996 Paus D6/484

OTHER PUBLICATIONS

Storehouse, p. 13, table at bottom of page.*
Pottery Barn, Aug. 1997, p. 15, #B table at top left.*

(List continued on next page.)

Primary Examiner—Janice E. Seeger

(74) *Attorney, Agent, or Firm*—Harness, Dickey & Pierce, P.L.C.

(57) **CLAIM**

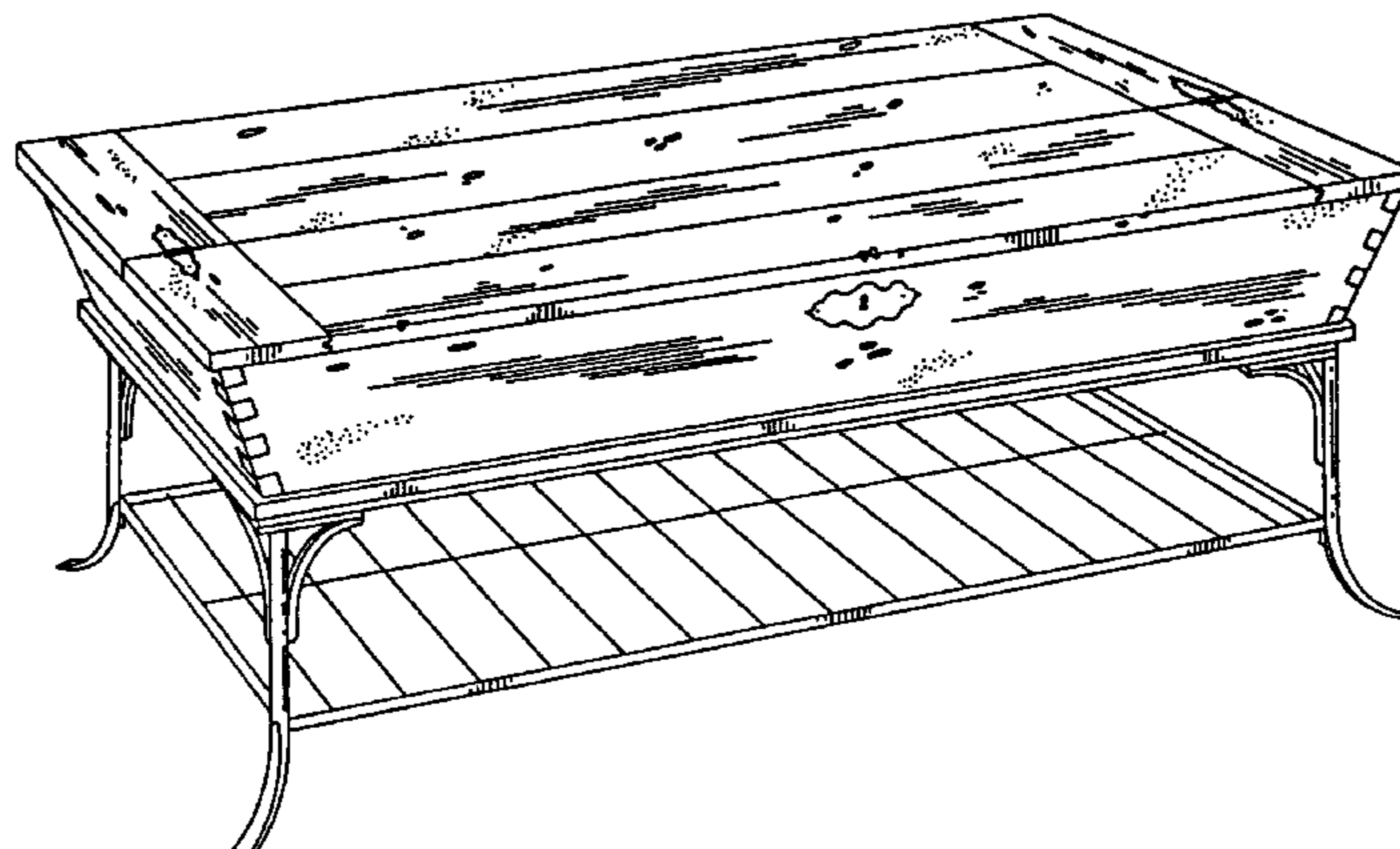
The ornamental design for a table, as shown and described.

DESCRIPTION

FIG. 1 is a front perspective view of a table according to my new design;
FIG. 2 is a front elevational view of my new design;
FIG. 3 is a top elevational view of my new design;
FIG. 4 is a side elevational of my new design, the opposing side view being a mirror image thereof;

FIG. 5 is a bottom elevational view of my new design;
FIG. 6 is a back elevational view of my new design;
FIG. 7 is a front perspective view of a second embodiment of my table design;
FIG. 8 is a front elevational view of the second embodiment of my new design, the back view being substantially identical thereto except that no lock plate is included therein;
FIG. 9 is a top elevational view of the second embodiment of my new design;
FIG. 10 is a side elevational of the second embodiment of my new design, the opposing side view being a mirror image thereof;
FIG. 11 is a front perspective view of a third embodiment of my table design;
FIG. 12 is a front elevational view of the third embodiment of my new design, the back view being substantially identical thereto except that no lock plate is included therein;
FIG. 13 is a top elevational view of the third embodiment of my new design;
FIG. 14 is a side elevational of the third embodiment of my new design, the opposing side view being a mirror image thereof;
FIG. 15 is a front perspective view of a fourth embodiment of my table design;
FIG. 16 is a front elevational view of the fourth embodiment of my new design, the back view being substantially identical thereto;
FIG. 17 is a side elevational of the fourth embodiment of my new design, the opposing side view being a mirror image thereof;
FIG. 18 is a top elevational view of the fourth embodiment of my new design; and,
FIG. 19 is a front perspective view of a fifth embodiment of my table design, the remaining views being substantially similar to the third embodiment of my new design, except that the orientation and number of lateral and cross members of the table base vary according to the length and width dimensions of the table.

1 Claim, 6 Drawing Sheets



OTHER PUBLICATIONS

“Country Furniture and Accessories from Quebec” by Warren I. Johansson; copyright 1990, Schiffer Publishing Ltd.; ISBN 0-88740-276-3; pp. 107 and 108.

“Encyclopedia of Country Furniture” by Candie Frankel; copyright 1996, 1993, Friedman/Fairfax Publishers; ISBN 1-56799-261-7; p. 86.

* cited by examiner

FIG 1

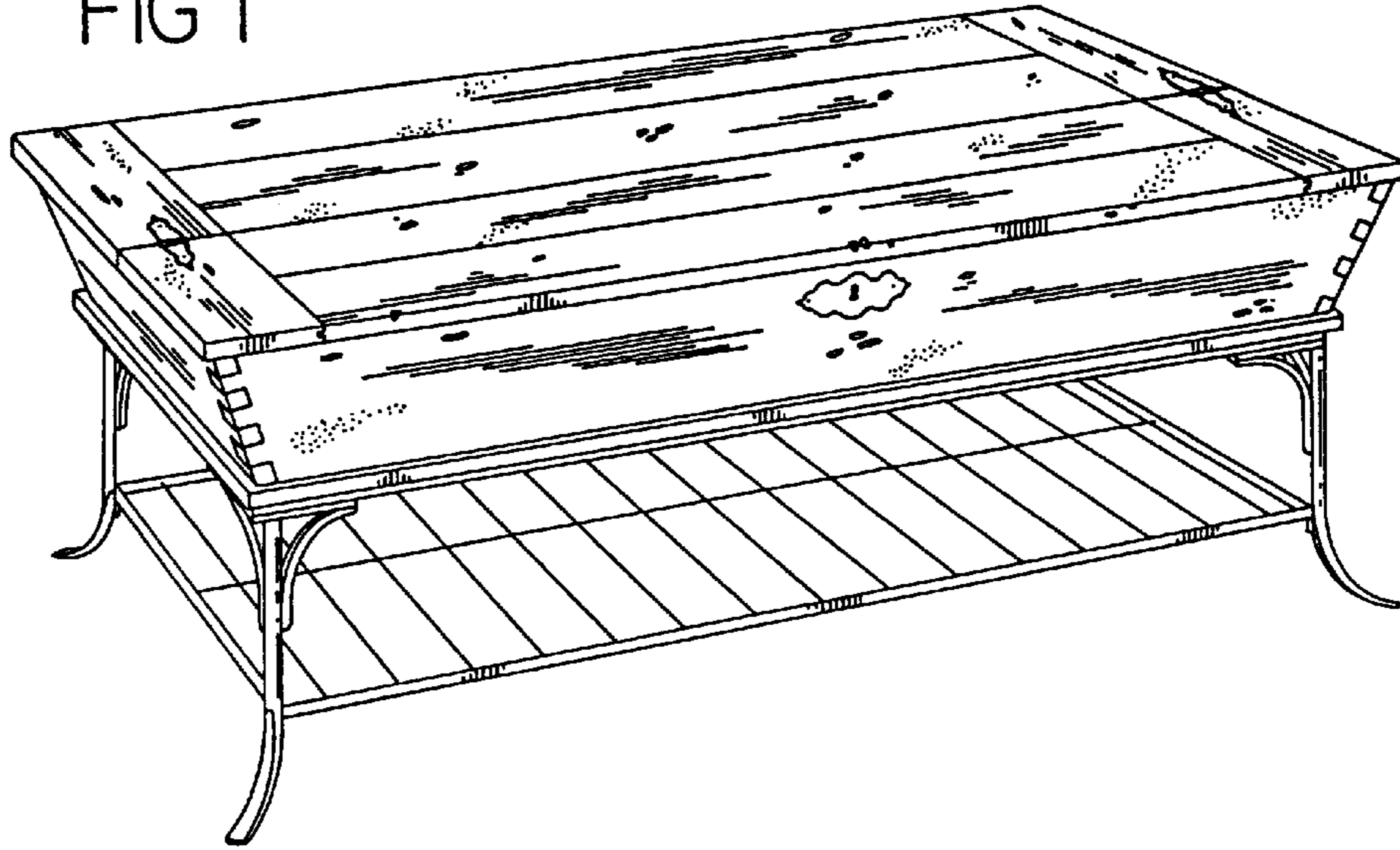


FIG 2

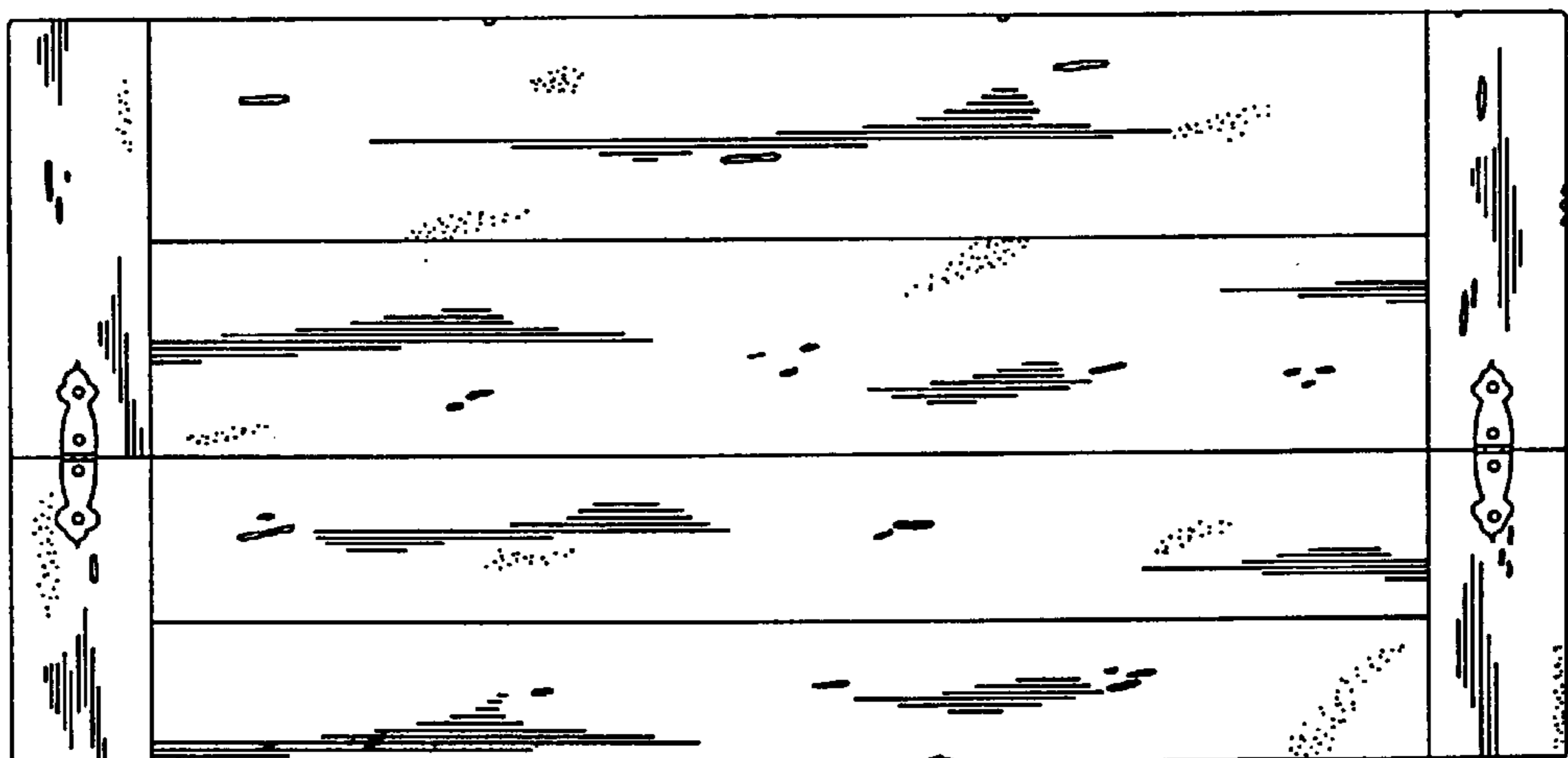
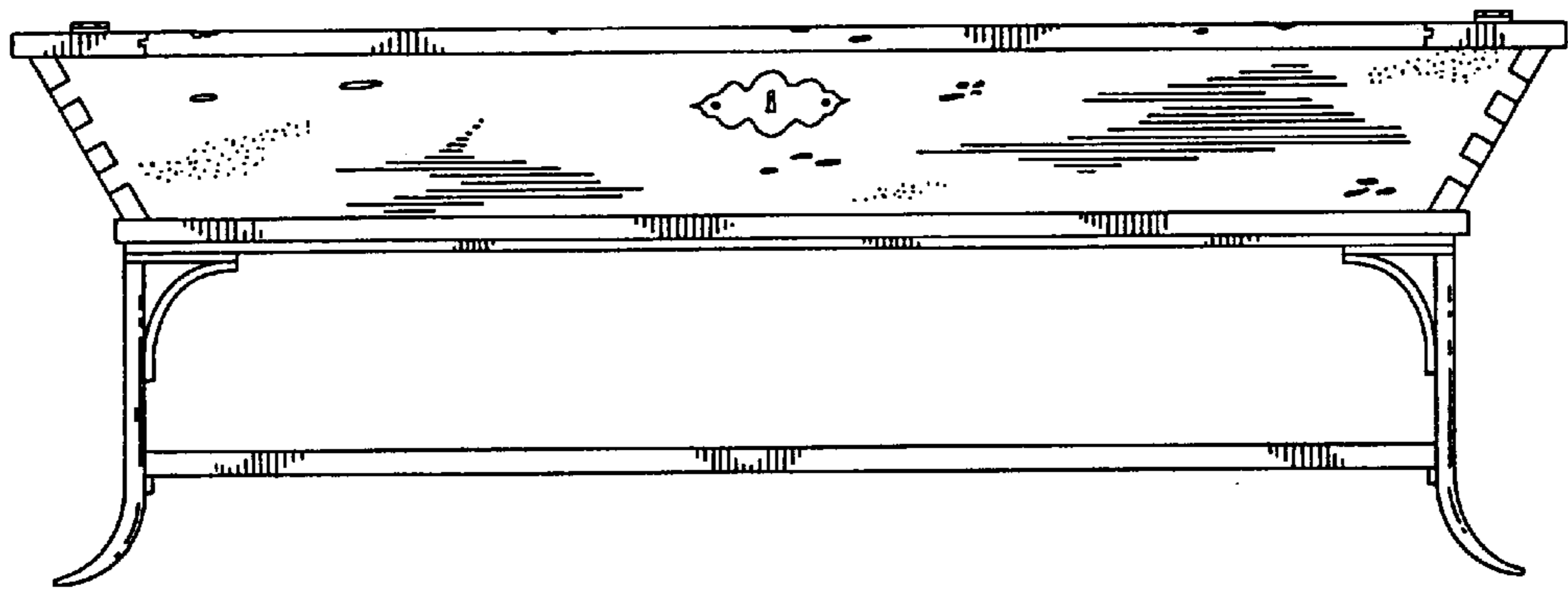


FIG 3

FIG 4

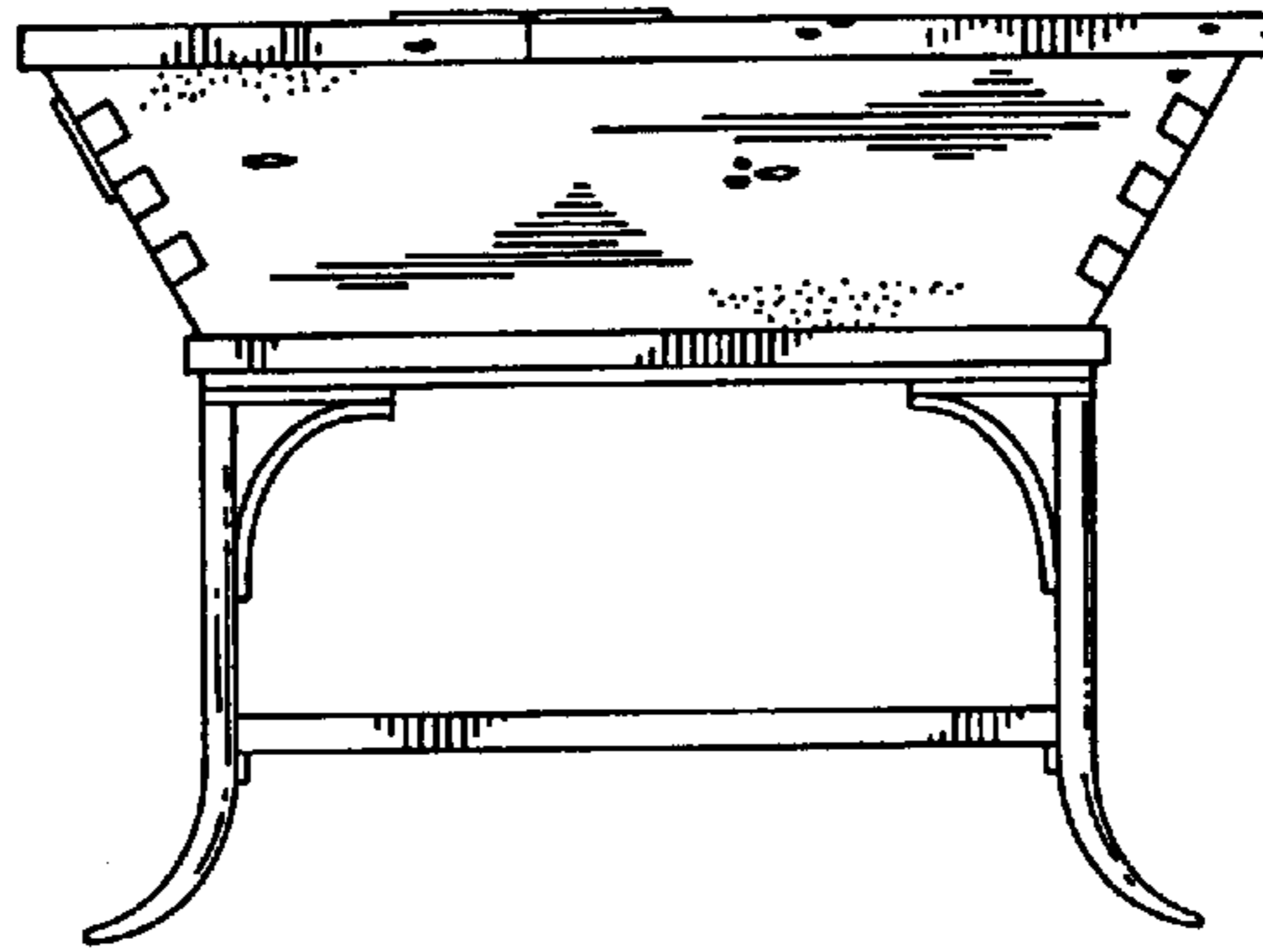


FIG 5

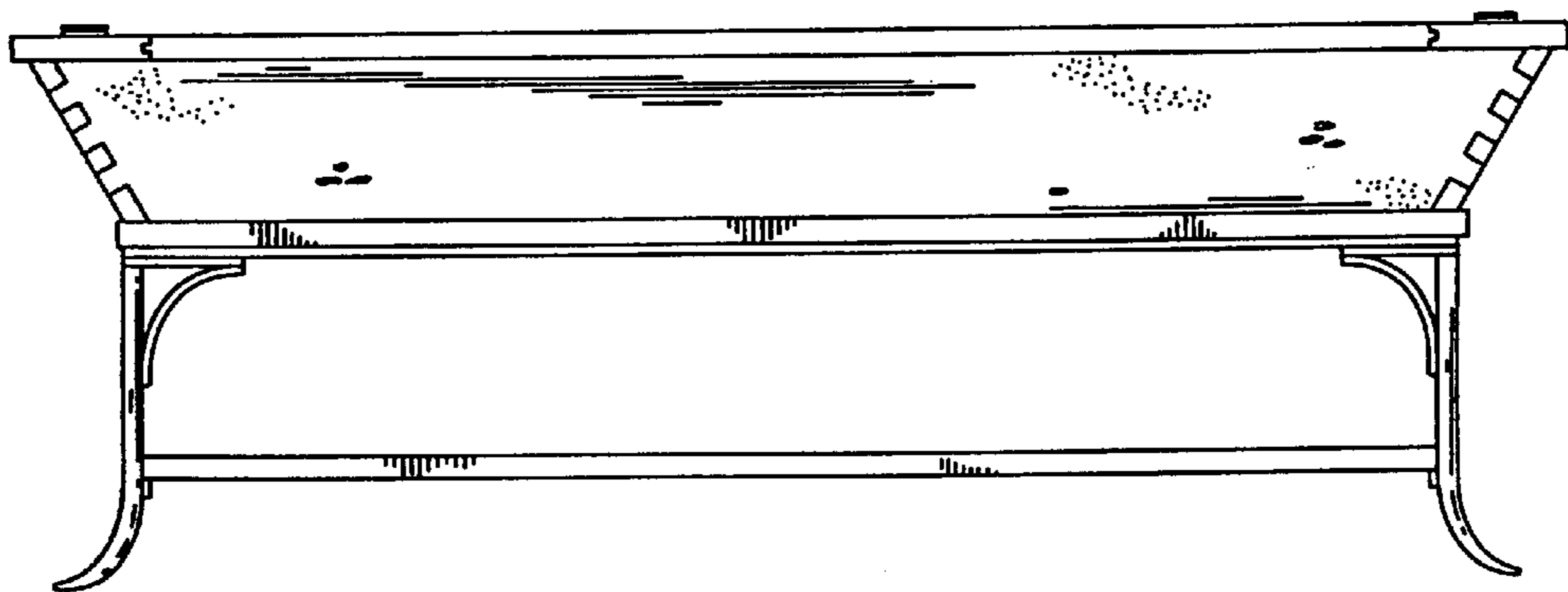
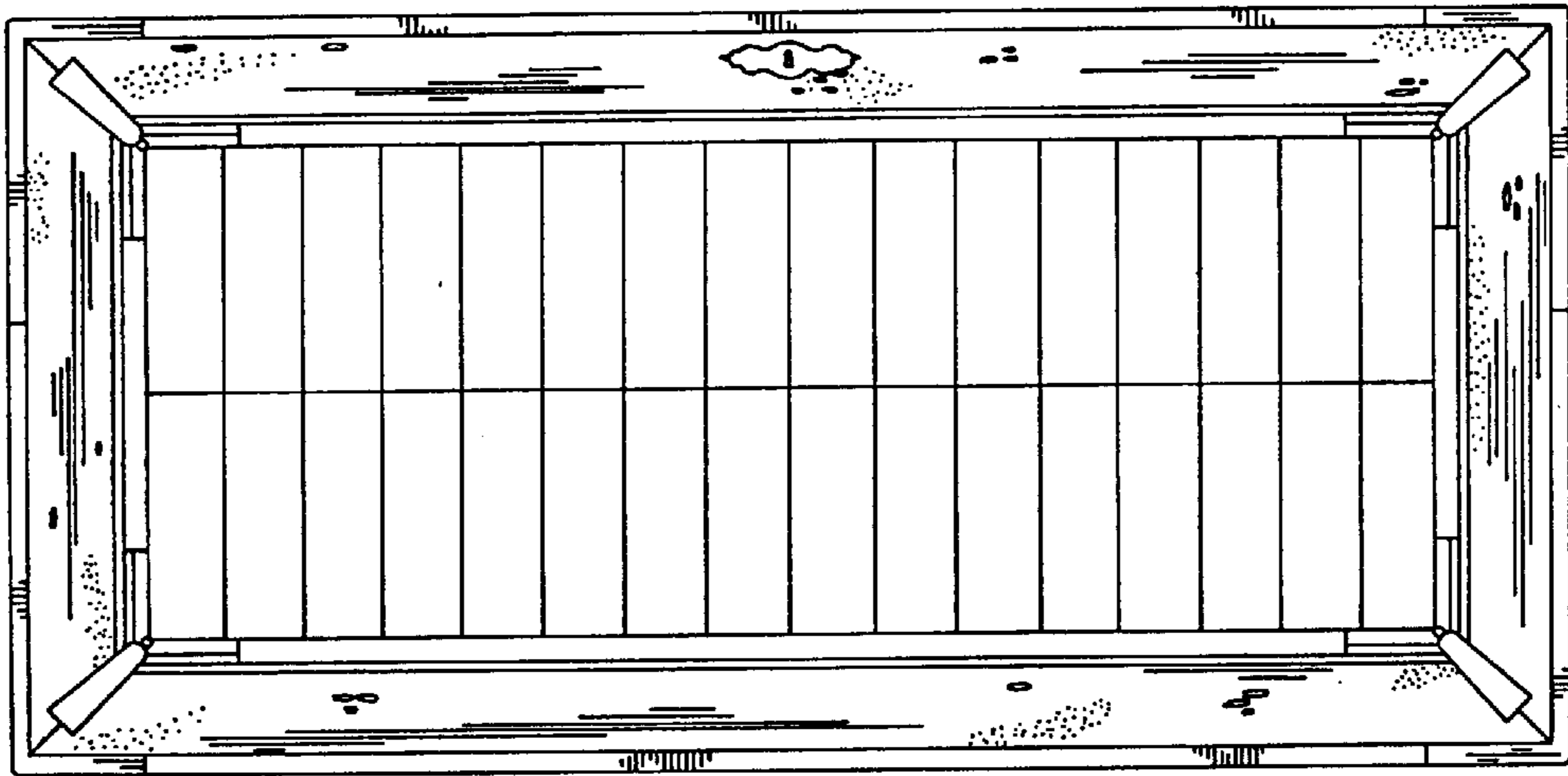


FIG 6

FIG 7

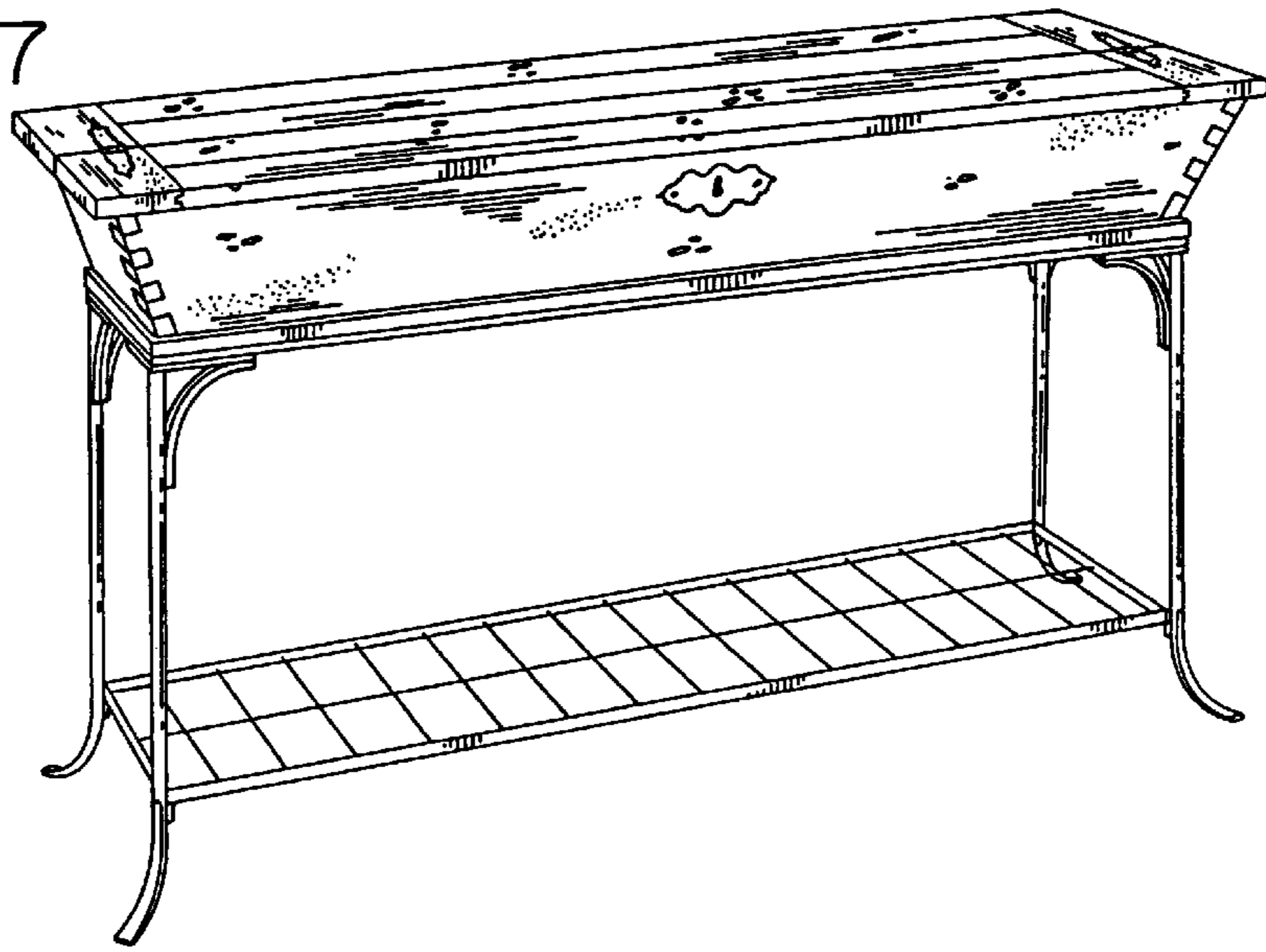


FIG 8

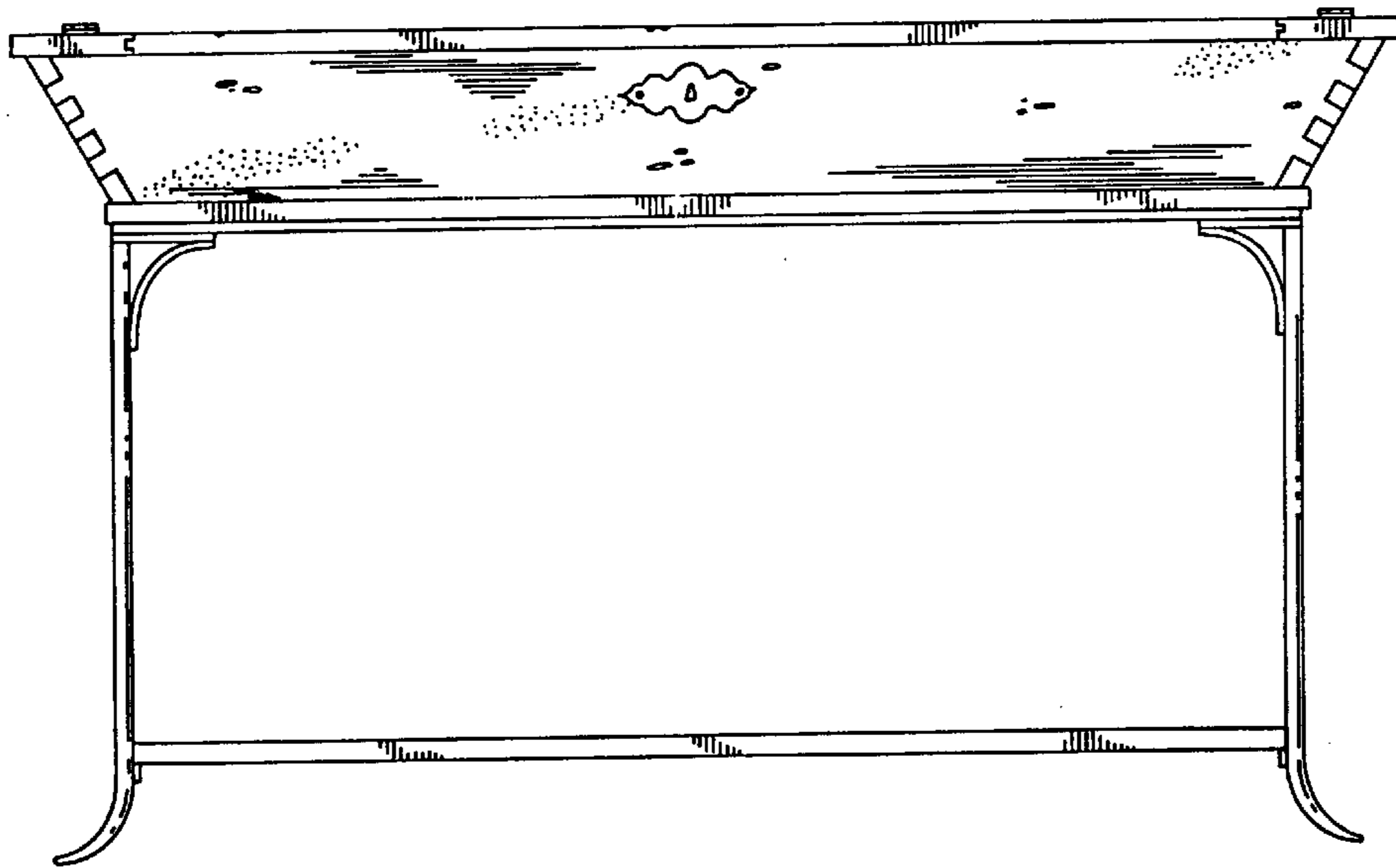


FIG 9

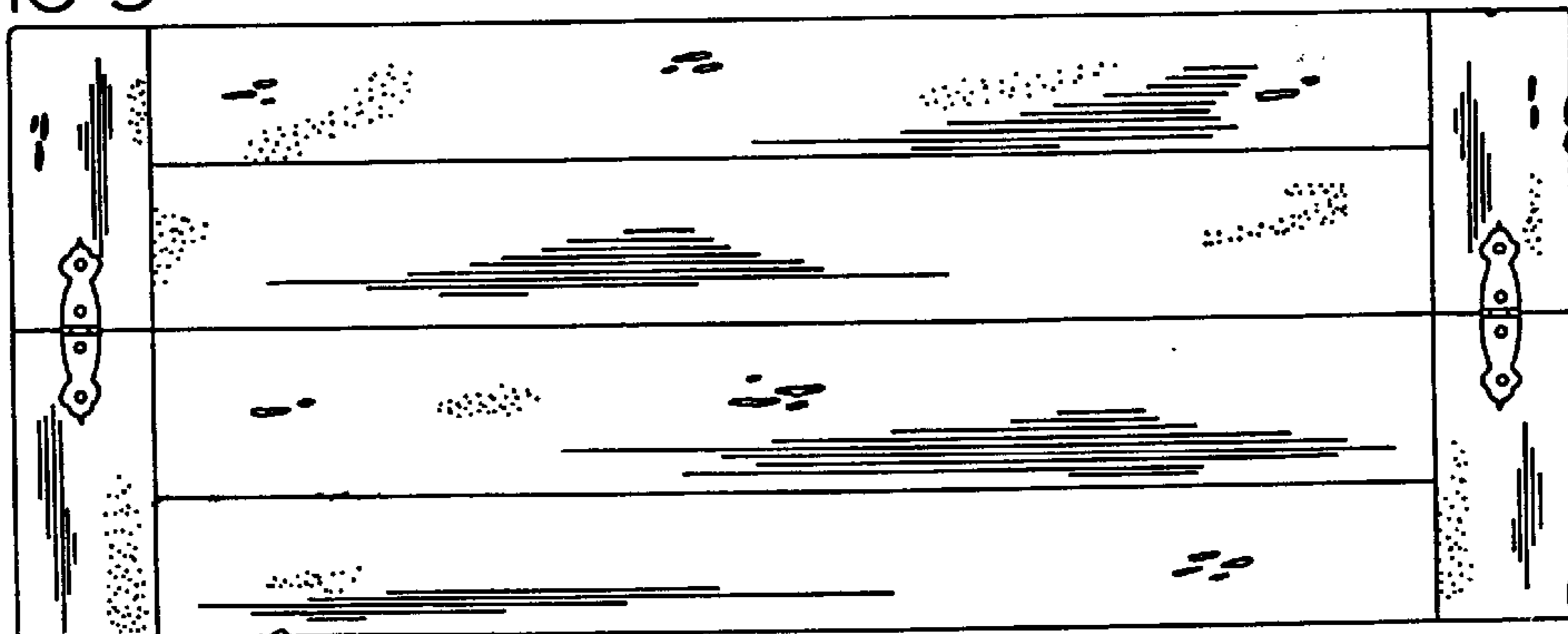


FIG 10

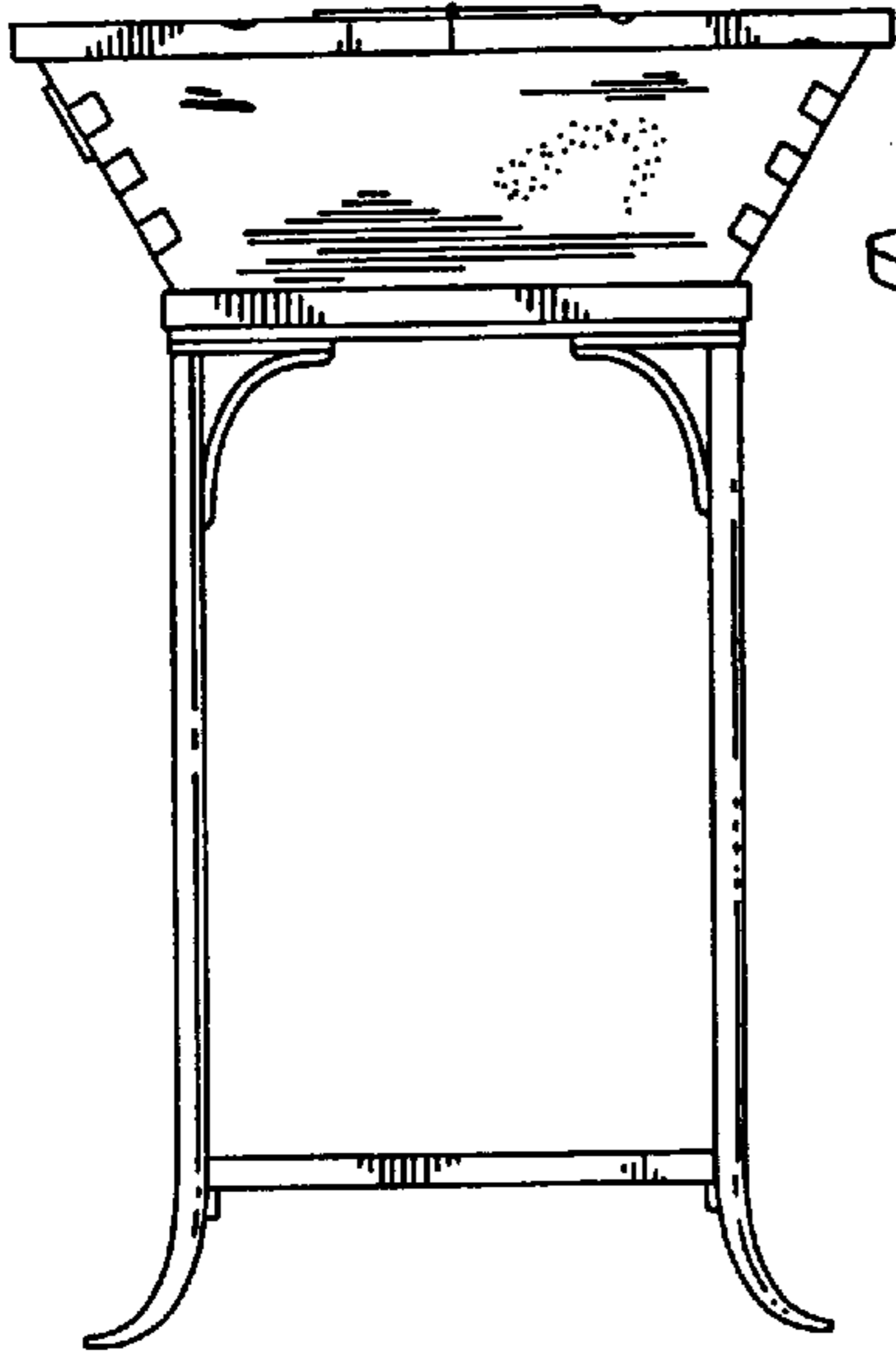


FIG 11

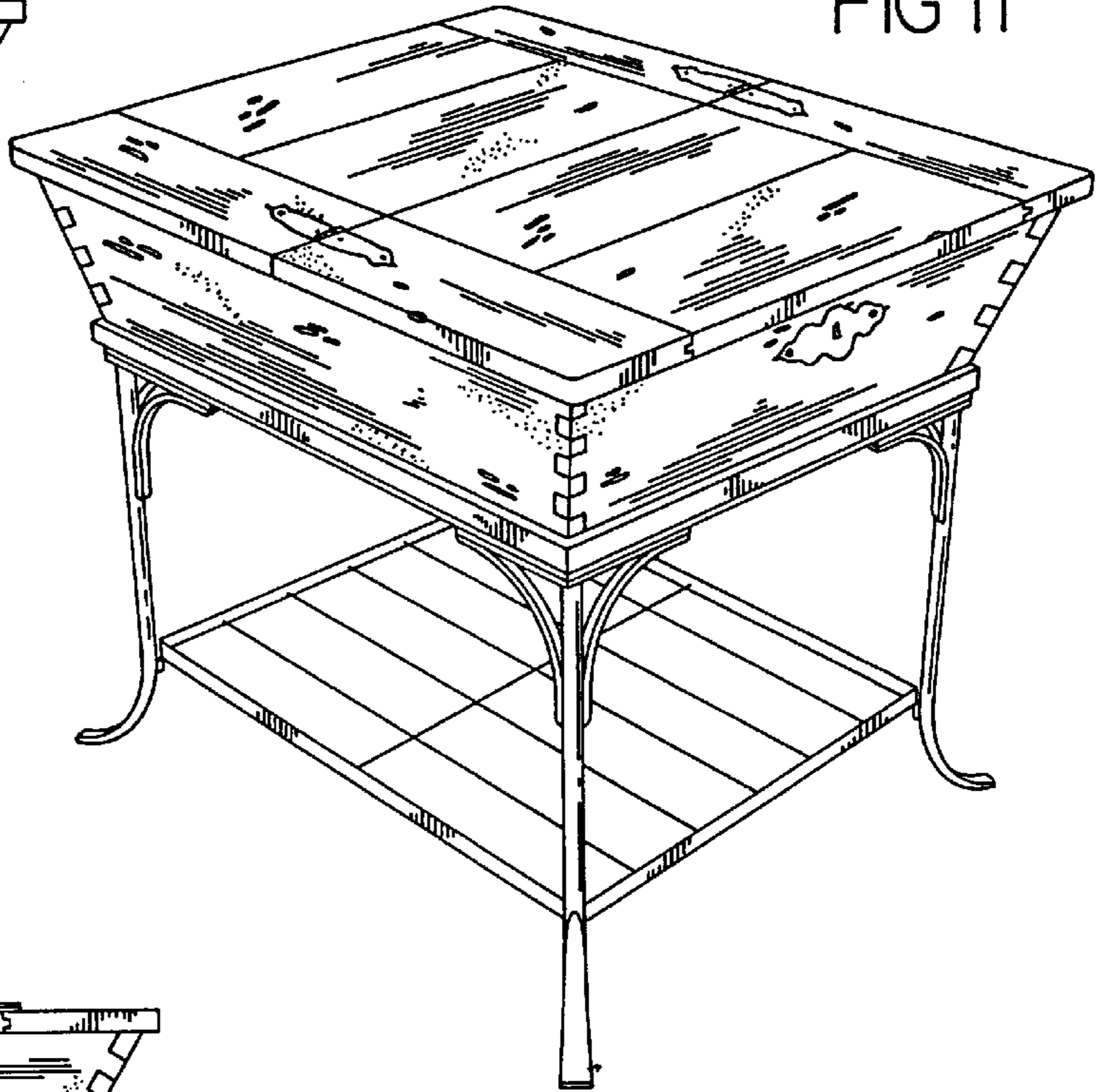


FIG 12

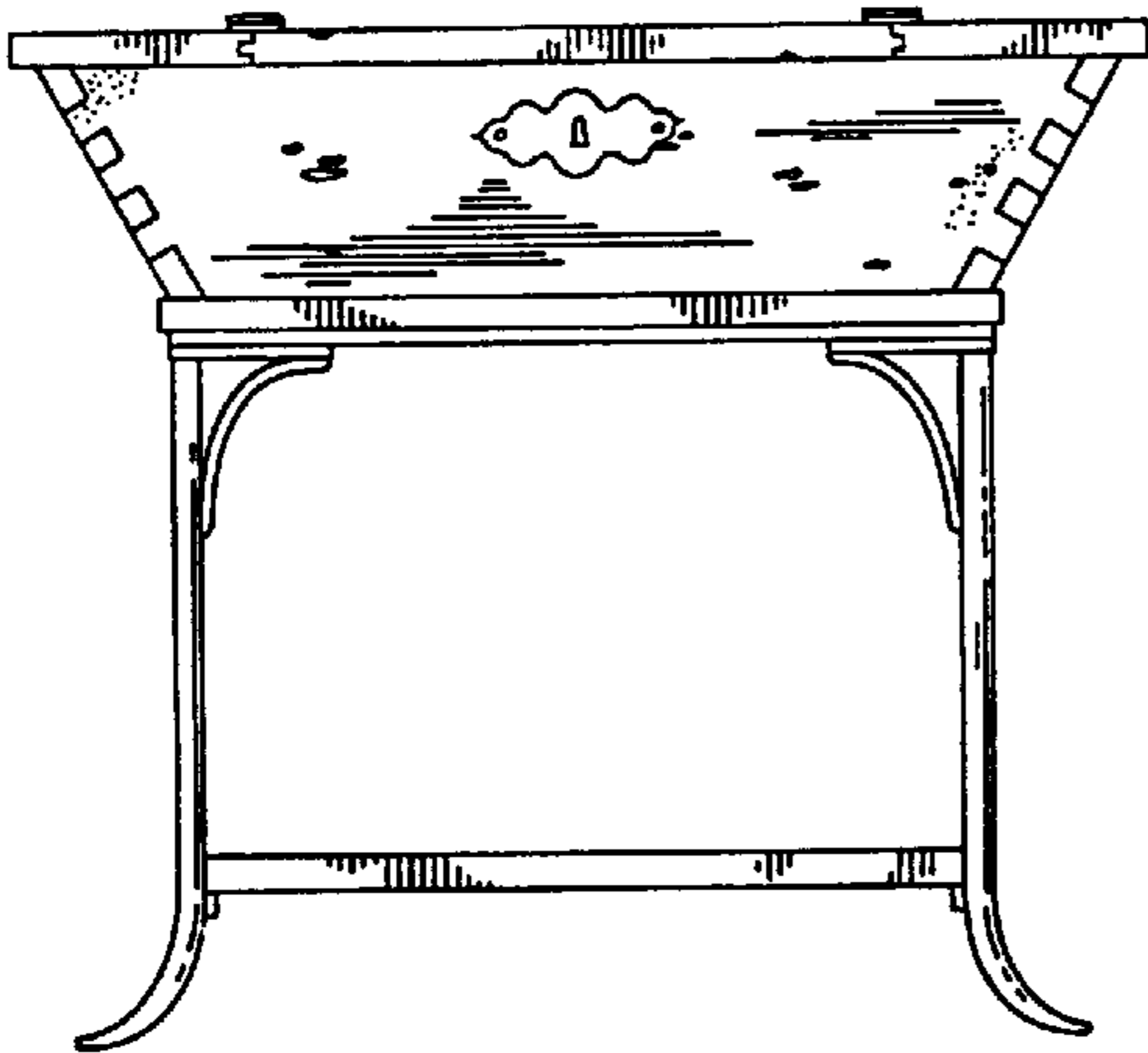


FIG 13

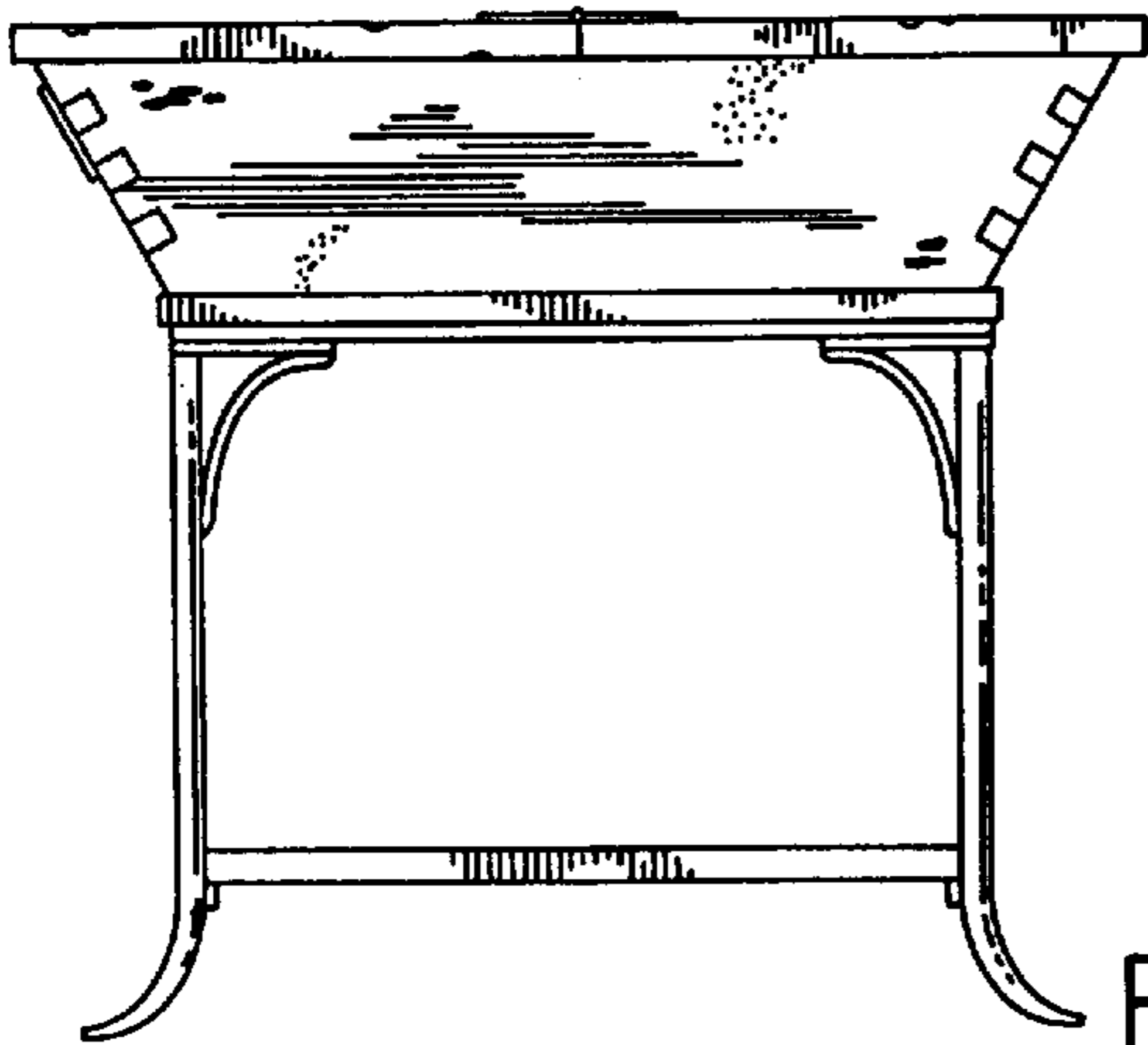
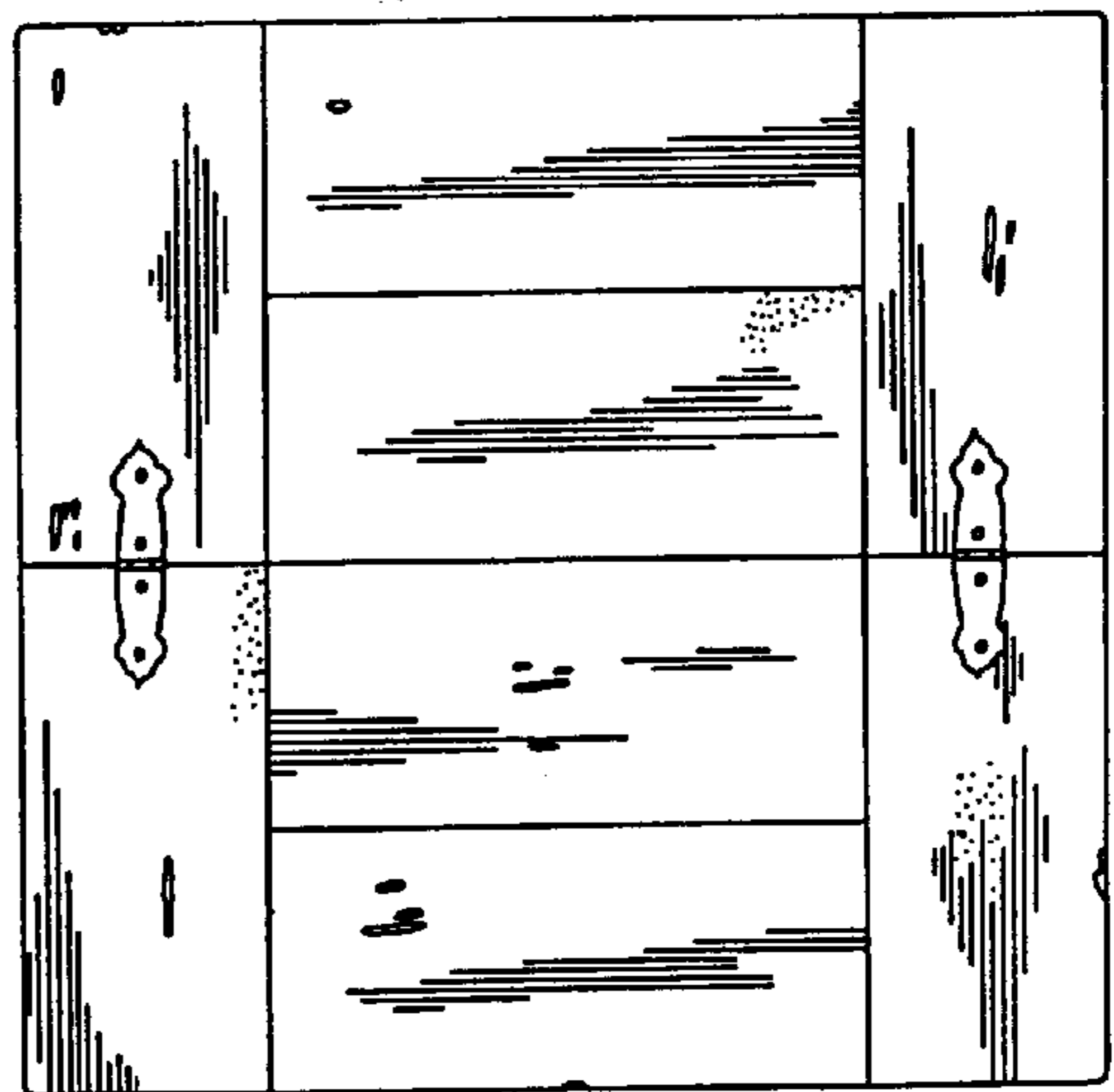


FIG 14

FIG 15

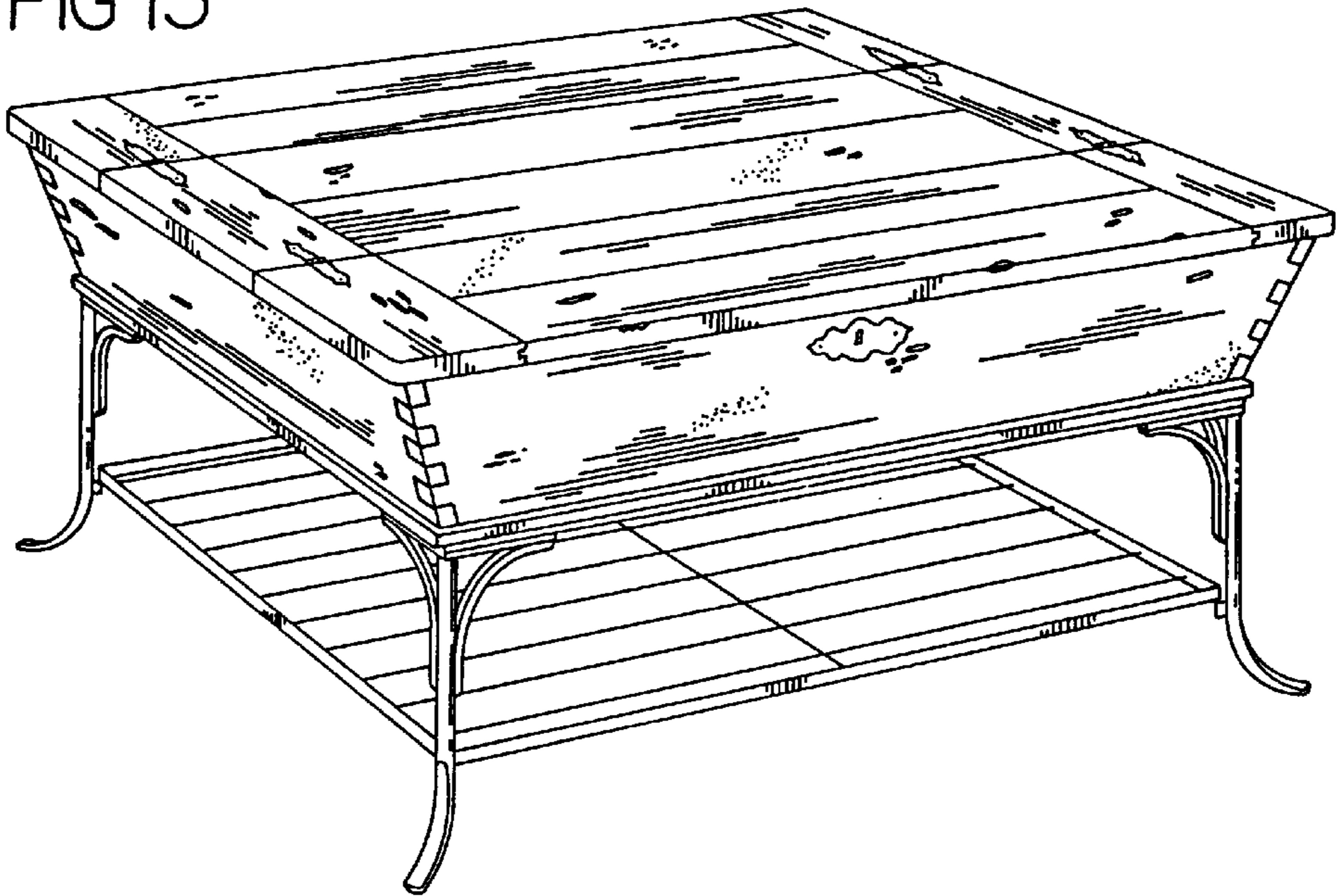


FIG 16

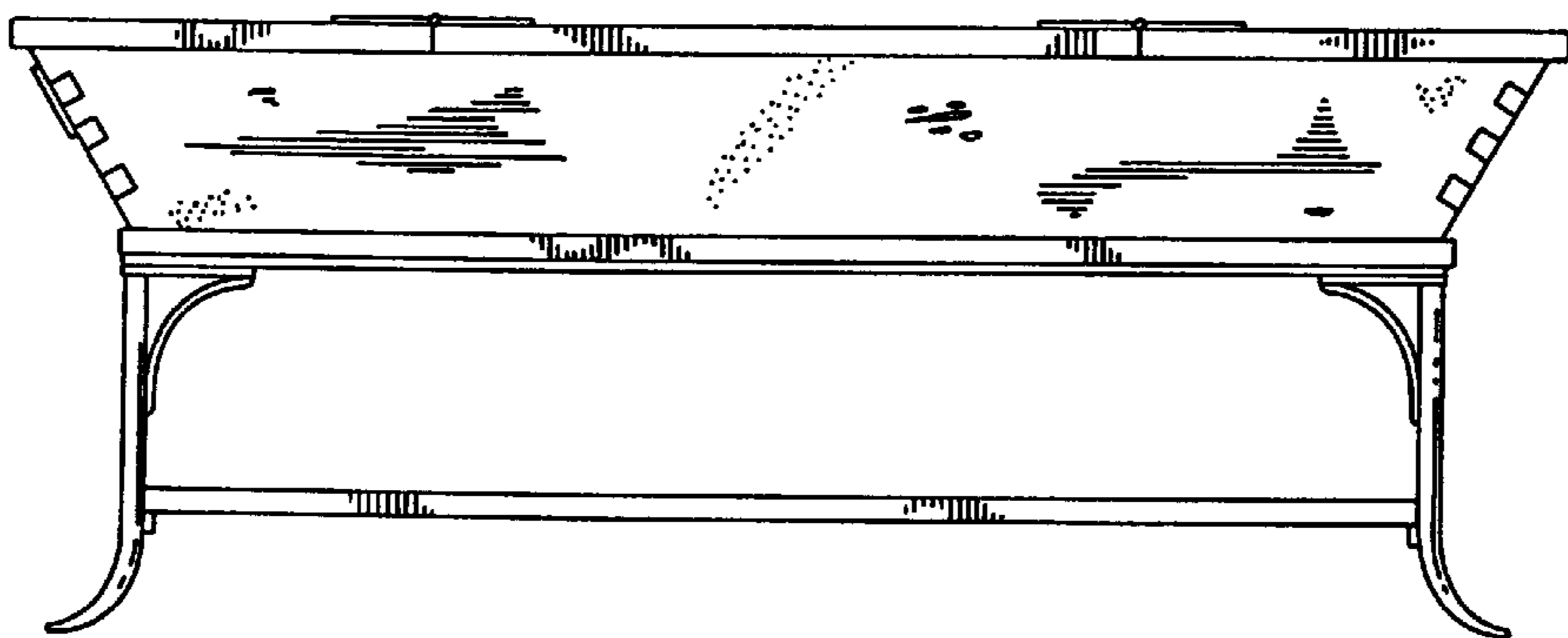
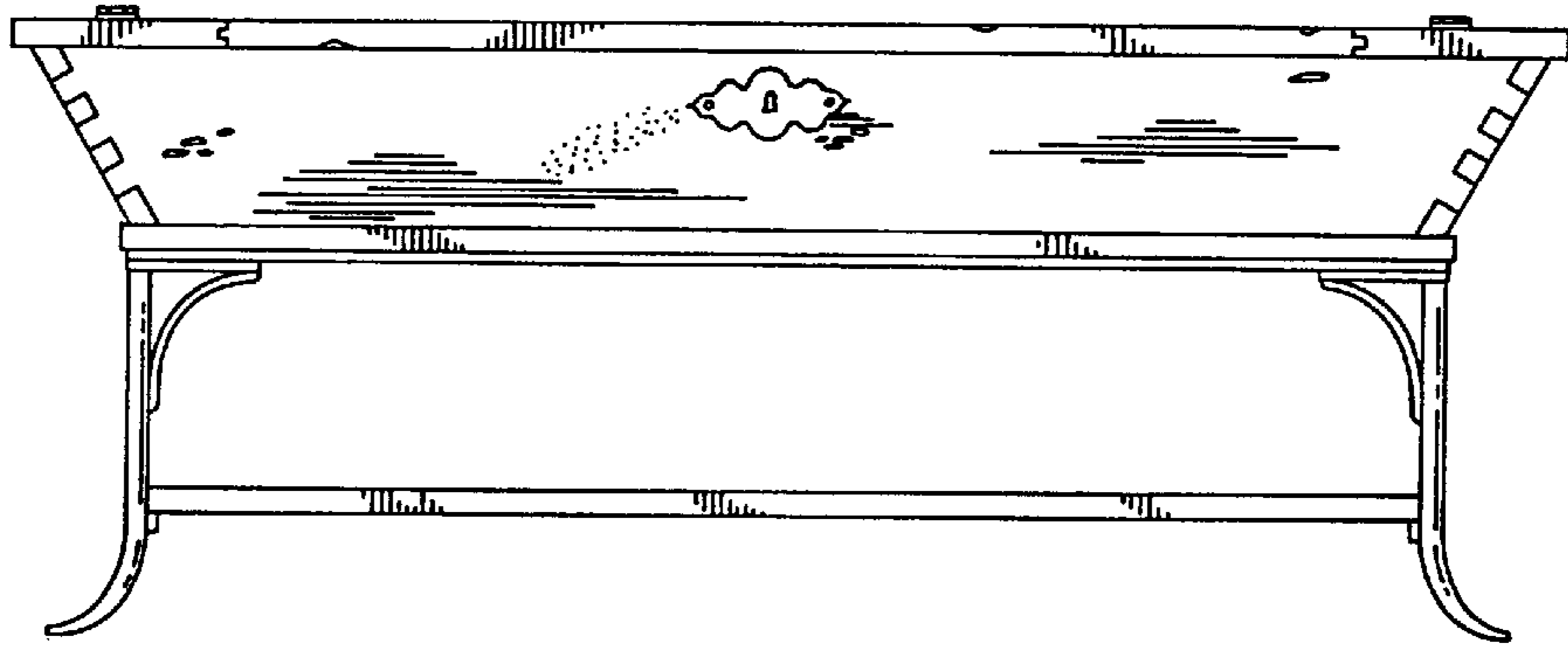


FIG 17

FIG 18

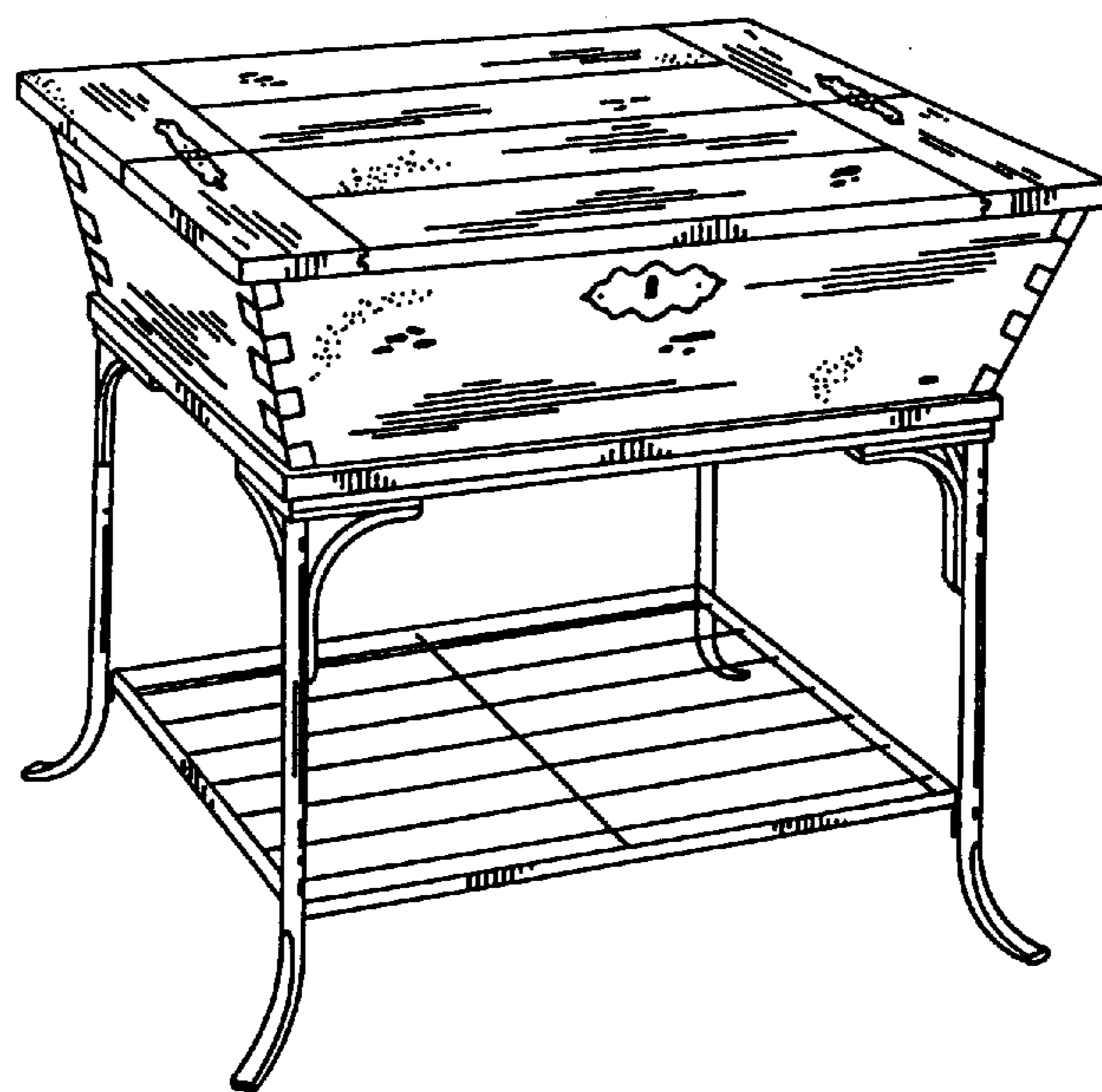
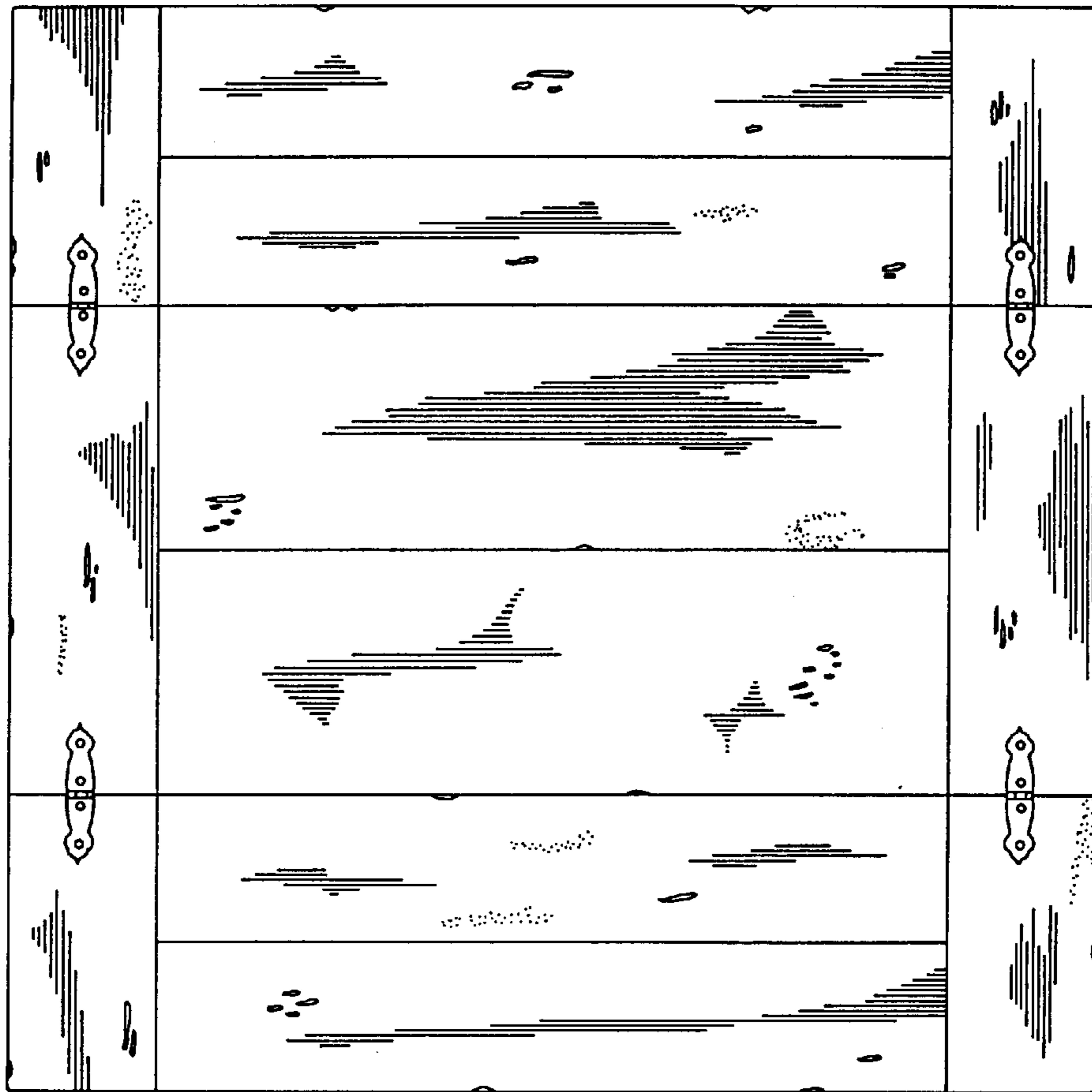


FIG 19