



US00D436466S

(12) **United States Design Patent**  
**Luong et al.**

(10) **Patent No.:** **US D436,466 S**

(45) **Date of Patent:** **\*\* Jan. 23, 2001**

(54) **TV STAND**

D. 295,816 5/1988 Beall, Jr. .... D6/430

(75) Inventors: **Phuoc H. Luong**, Fountain Valley;  
**Robinson Ho**, Lakewood, both of CA  
(US)

(List continued on next page.)

(73) Assignee: **Elite Manufacturing Corporation**,  
Santa Fe Springs, CA (US)

**OTHER PUBLICATIONS**

(\*\*) Term: **14 Years**

(21) Appl. No.: **29/115,028**

(22) Filed: **Dec. 6, 1999**

(51) **LOC (7) Cl.** ..... **06-03**

(52) **U.S. Cl.** ..... **D6/478; D6/479**

(58) **Field of Search** ..... D6/329, 396, 397,  
D6/449, 462, 464, 465, 474, 475, 477-479,  
487, 407; D34/12, 14, 20, 21; 108/26, 186,  
187, 184, 189; 211/13.1, 85.8, 26, 26.1,  
26.2, 33, 126.1, 126.16, 134, 135, 133.1,  
151

Sears Spring/Summer 1979 catalog, p. 1030, item # 9.\*  
Ethan Allen c1992, p. 286, #9 at bottom right.  
Thomasville Four Corners, 1989, p. 31, #A at top left.  
Progressive, c1993, Daytona table in front.  
N.Y. Times Magazine, Jan. 22, 1950, p. 31, table at far right.  
Metropolis, Apr. 1990, p. 32, Peter Handler table at bottom.  
Interior Design, Jul. 1992, p. 83, glass tables at top.  
Brown Jordan, p. 13, table 1232-3000 at bottom left.  
La Barge, p. 106A, #4308 table at bottom left.  
Bloomingdales, p. 2, table at bottom of page.  
Bloomingdales, Jun. 1994, front cover, table at lower left.  
Gunlocke, Trident Table.  
LaBarge, table at top.  
Ethan Allan, c1992, p.287, #3 at top right.  
Nat Siegel, Inc. Catalog, p. 11 item 962.  
Nat Siegel, Inc. Catalog R, p. 15 item at center.  
Lyon-Shaw, 1990-1991, p. 17, #NP34-RG at center and left.

(56) **References Cited**

**U.S. PATENT DOCUMENTS**

D. 115,285	6/1939	Conkling, Jr. ....	D6/488
D. 157,226	2/1950	Williams .	
D. 165,584	1/1952	Johnson .	
D. 170,420	9/1953	Luhrs .	
D. 173,697	12/1954	Friedmann .	
D. 175,651	9/1955	Schwartz .	
D. 180,407	6/1957	Jones et al. .	
D. 189,357	11/1960	Woodard .	
D. 193,192	7/1962	Blevins .	
D. 214,672	7/1969	Ricca .	
D. 225,190	11/1972	Van Syoc .....	D6/489
D. 237,336	10/1975	Loscalzo et al. ....	D6/484
D. 245,465	8/1977	Hindle .	
D. 258,177	* 2/1981	Baker .....	D6/478
D. 276,089	* 10/1984	Hutchins .....	D34/21
D. 278,294	* 4/1985	Dau .....	D6/477
D. 280,164	8/1985	Berry, Jr. ....	D6/489
D. 284,431	7/1986	Berry, Jr. ....	D6/479
D. 290,203	6/1987	Berry, Jr. ....	D6/479
D. 291,751	9/1987	Salvato .....	D6/482

\* cited by examiner

*Primary Examiner*—Catherine Tuttle

(74) *Attorney, Agent, or Firm*—Stetina Brunda Garred & Brucker

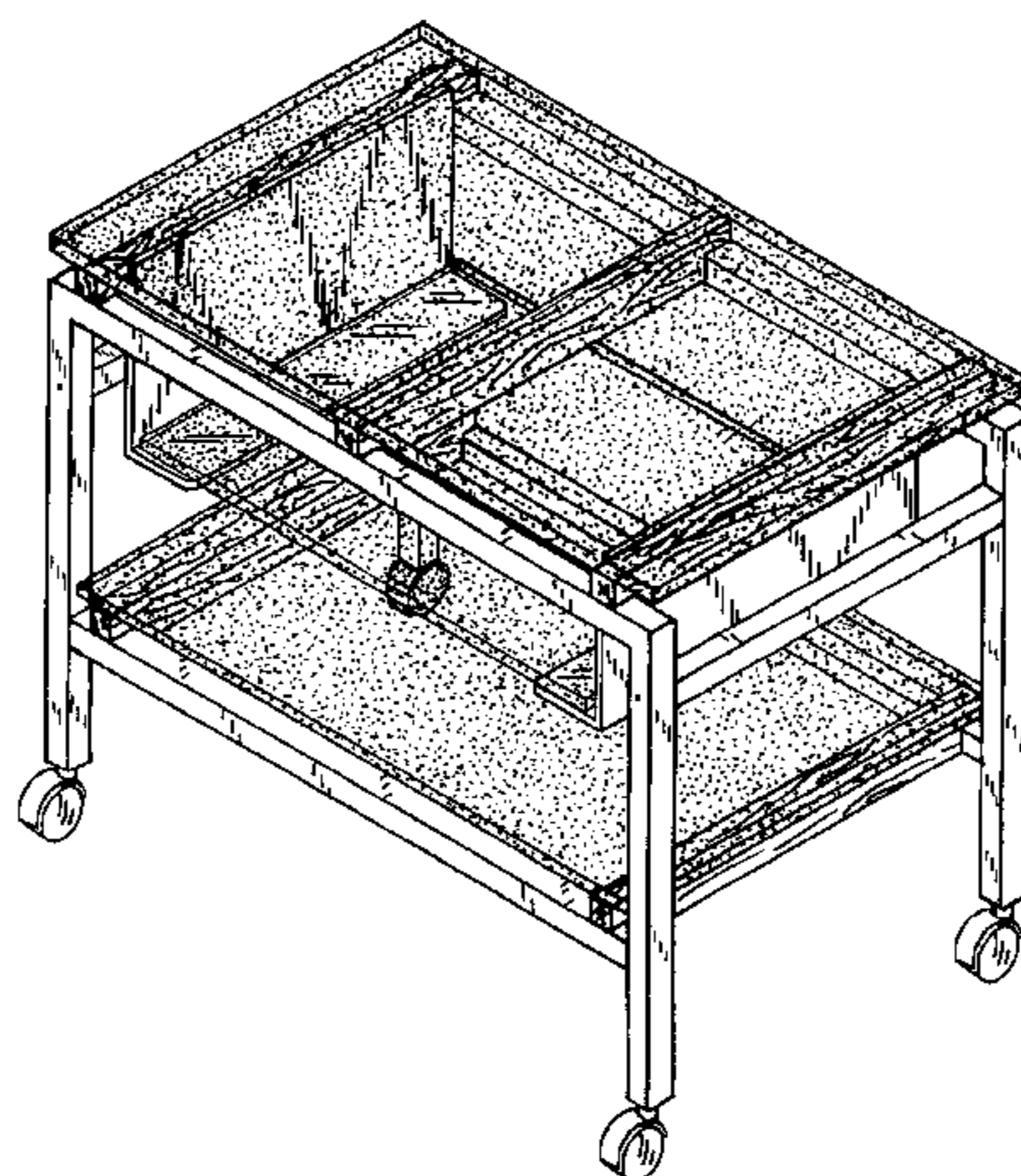
(57) **CLAIM**

The ornamental design for a TV stand, as shown and described.

**DESCRIPTION**

FIG. 1 is a front top perspective view of the TV stand of the present invention showing our new design;  
FIG. 2 is an end elevational view thereof; and,  
FIG. 3 is a front elevational view thereof.  
The surface(s) or portion(s) of the article not shown in the drawing or described in the specification form(s) no part of the claimed design.

**1 Claim, 1 Drawing Sheet**



# US D436,466 S

Page 2

---

## U.S. PATENT DOCUMENTS

D. 300,396	3/1989	Kelley et al. ....	D6/489	D. 382,422	8/1997	Muller .....	D6/477
D. 312,717	* 12/1990	Yau Kee .....	D34/21	D. 384,529	10/1997	Muller .....	D6/480
D. 333,932	3/1993	Martin .....	D6/484	D. 384,839	10/1997	Muller .....	D6/488
D. 335,051	* 4/1993	Ossip .....	D6/477	D. 389,347	1/1998	Muller .....	D6/484
D. 363,176	10/1995	Berry, Jr. et al. ....	D6/436	D. 389,674	1/1998	Muller .	
D. 367,785	3/1996	Lewis .....	D6/480	D. 402,141	12/1998	Luong et al. ....	D6/488
D. 369,253	4/1996	Martin .....	D6/484	D. 402,142	12/1998	Muller .....	D6/488
D. 371,699	7/1996	Muller-Deisig et al. ....	D6/482	3,074,771	1/1963	Wilson .	
D. 373,269	9/1996	Muller .....	D6/484	3,119,641	* 1/1964	Rand .....	312/140.2
D. 380,624	7/1997	Mezger .....	D6/422	3,910,205	* 10/1975	Gusdorf .....	108/101
				5,016,948	* 5/1991	Welch et al. ....	312/249.12

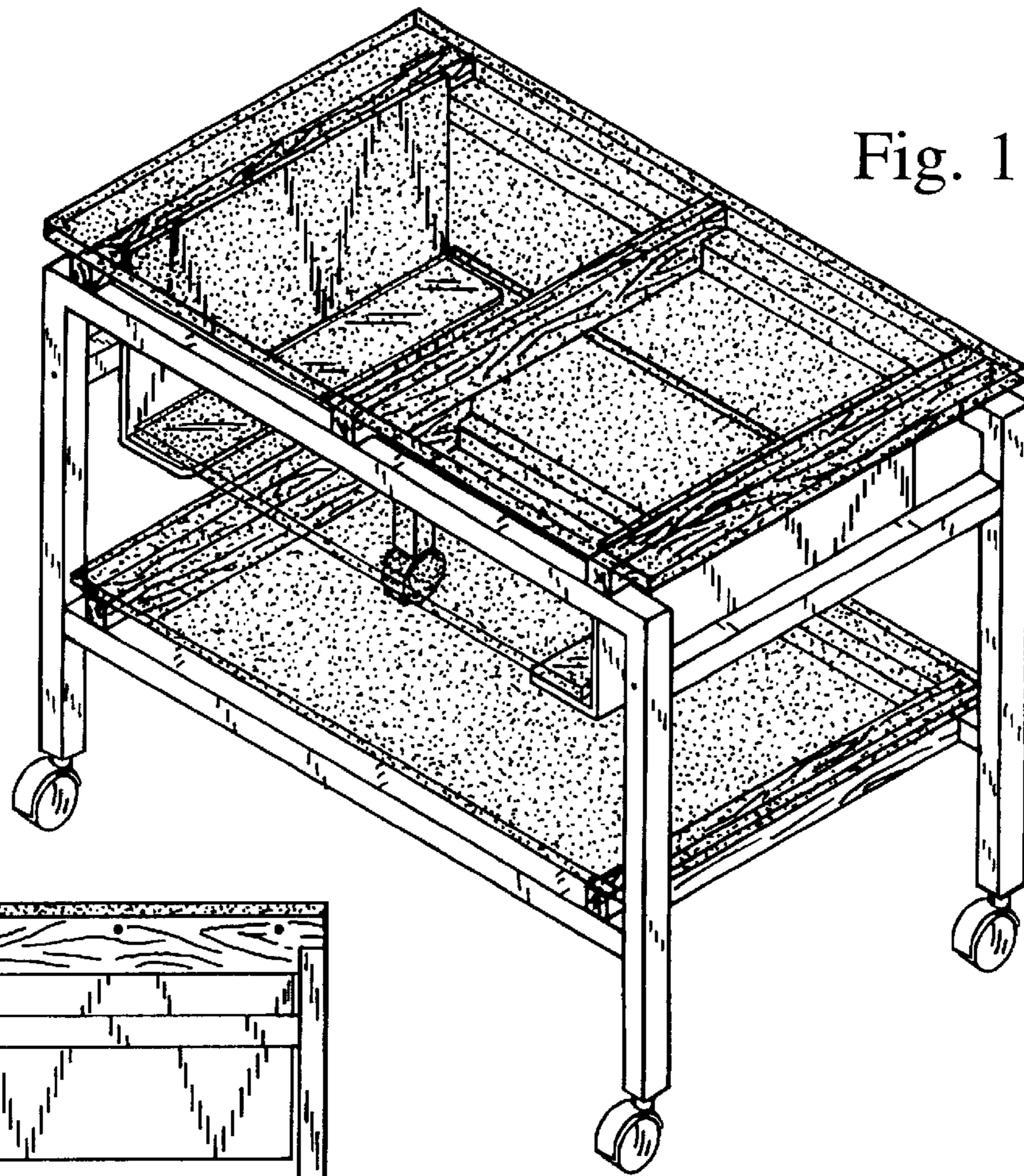


Fig. 1

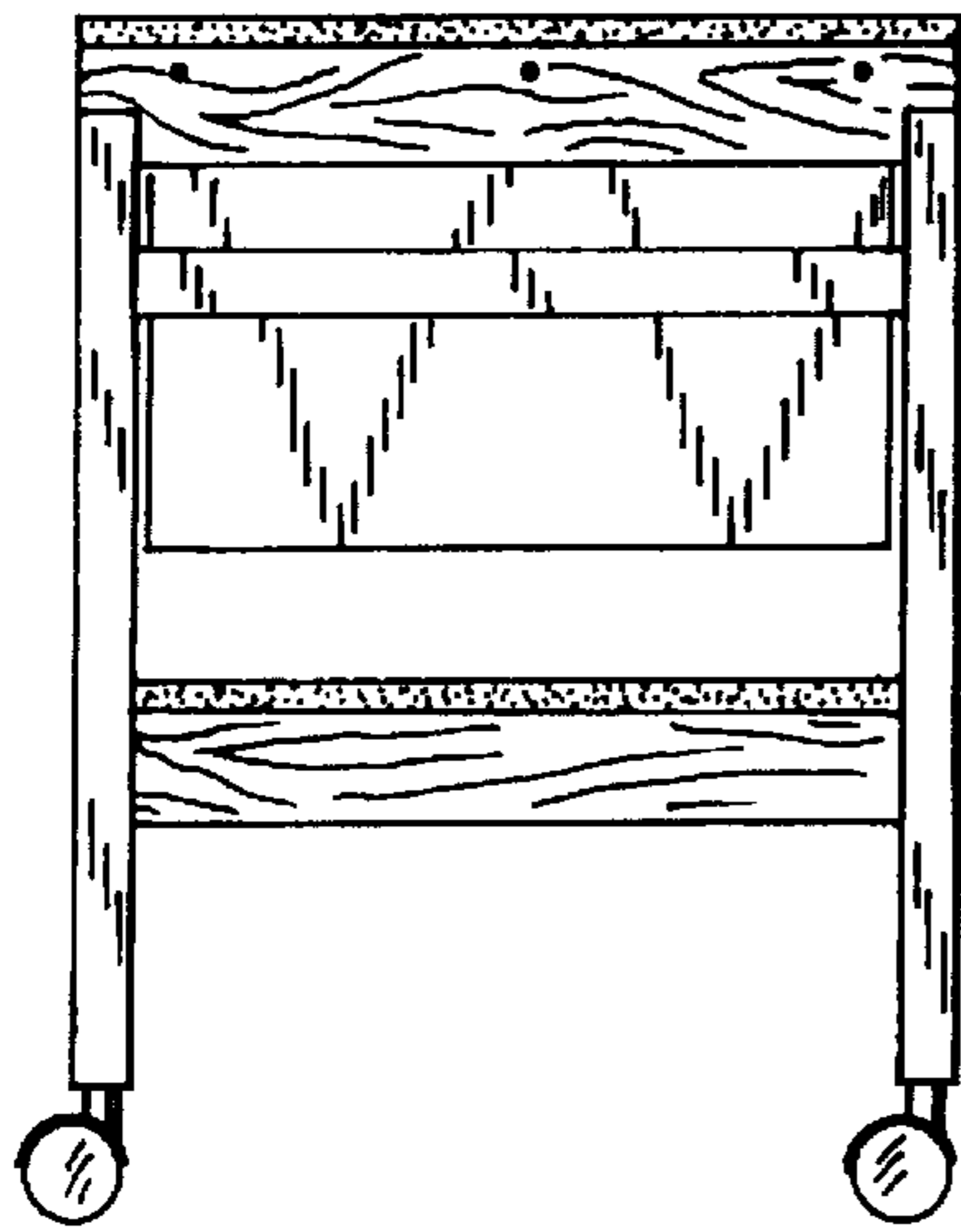


Fig. 2

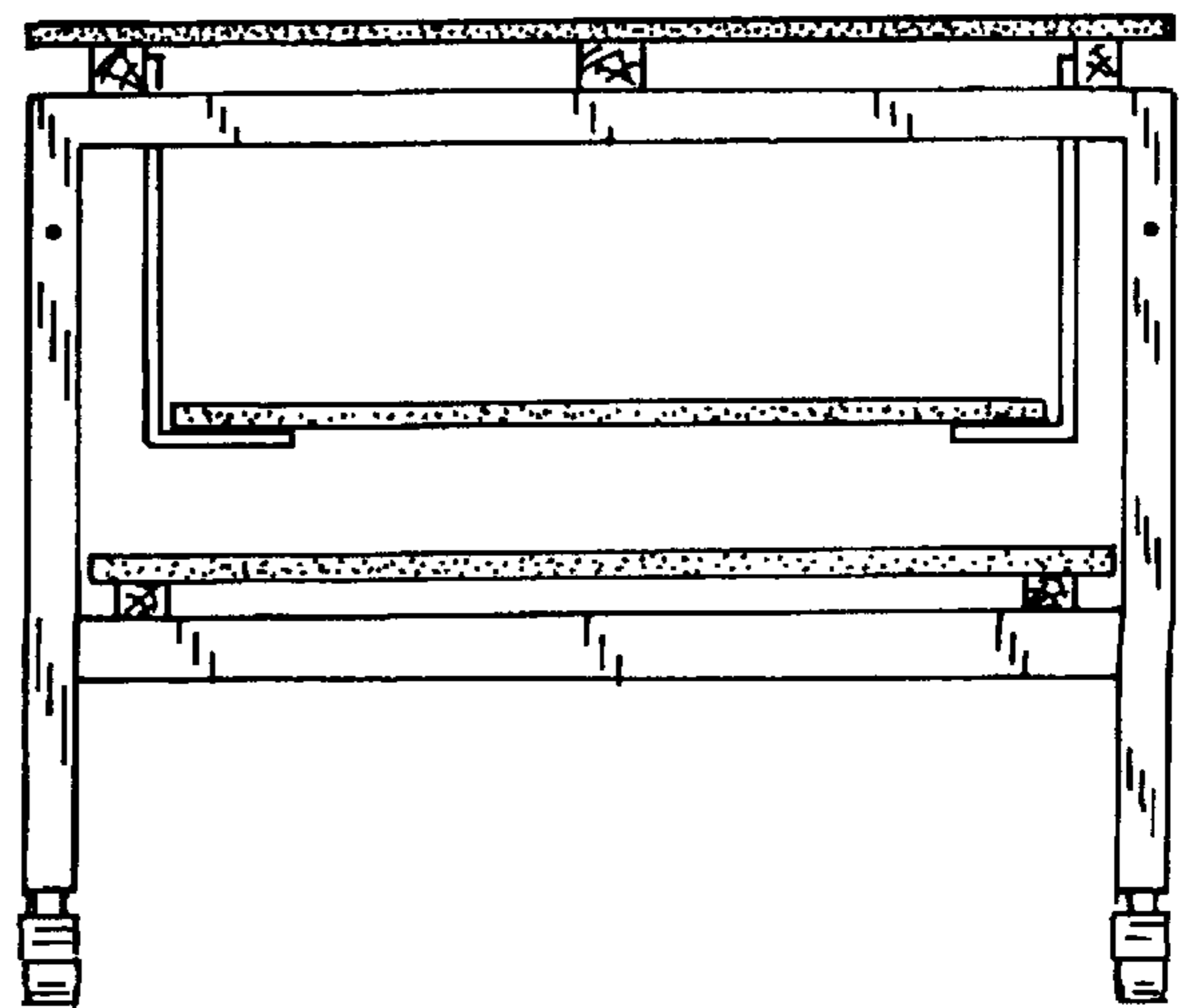


Fig. 3