



US00D436465S

(12) **United States Design Patent**  
**Berkman**

(10) **Patent No.:** **US D436,465 S**  
(45) **Date of Patent:** **\*\* Jan. 23, 2001**

(54) **FOLDABLE GUITAR STAND**

(76) Inventor: **Daniel P. Berkman**, 1406 W. Bayview La., McHenry, IL (US) 60050

(\*\*) Term: **14 Years**

(21) Appl. No.: **29/102,601**

(22) Filed: **Mar. 29, 1999**

(51) **LOC (7) Cl.** ..... **06-06**

(52) **U.S. Cl.** ..... **D6/466; D17/99**

(58) **Field of Search** ..... D6/310, 462, 466, D6/467; D17/99; 84/327; 224/910; 248/166, 443, 460

(56) **References Cited**

**U.S. PATENT DOCUMENTS**

|            |   |         |                |       |         |
|------------|---|---------|----------------|-------|---------|
| D. 357,828 | * | 5/1995  | Liao           | ..... | D6/466  |
| D. 370,369 | * | 6/1996  | Nordstrom      | ..... | D6/466  |
| D. 392,123 | * | 3/1998  | Lynch          | ..... | D6/466  |
| 1,612,148  |   | 12/1926 | Oettinger .    |       |         |
| 3,057,591  | * | 10/1962 | Weimer         | ..... | 248/166 |
| 5,029,796  |   | 7/1991  | Schoenig       | ..... | 248/443 |
| 5,350,143  |   | 9/1994  | Hoshino        | ..... | 248/166 |
| 5,375,497  |   | 12/1994 | Pirchio et al. | ..... | 84/327  |
| 5,497,689  |   | 3/1996  | Hoshino        | ..... | 84/327  |
| 5,505,413  |   | 4/1996  | Hennessey      | ..... | 248/166 |
| 5,664,756  |   | 9/1997  | Liao           | ..... | 248/443 |
| 5,713,547  |   | 2/1998  | Yu             | ..... | 248/166 |
| 5,744,735  |   | 4/1998  | Liao           | ..... | 84/327  |
| 5,836,552  |   | 11/1998 | Yu             | ..... | 248/166 |
| 5,959,225  | * | 9/1999  | Hsu            | ..... | 84/327  |

\* cited by examiner

*Primary Examiner*—Adir Aronovich

(74) *Attorney, Agent, or Firm*—Mathew R. P. Perrone, Jr.

(57) **CLAIM**

The ornamental design for a foldable guitar stand, as shown and described.

**DESCRIPTION**

FIG. 1 is a front perspective open view of the foldable guitar stand of my invention, which is suitable for holding a guitar (not shown) at rest;

FIG. 2 is a front elevational, open view of the foldable guitar stand of my invention;

FIG. 3 is a rear elevational, open view of the foldable guitar stand of my invention, which is a reverse view of FIG. 2;

FIG. 4 is a side open view of the foldable guitar stand of my invention, which is based on FIG. 3, rotated ninety degrees leftwardly about a vertical axis;

FIG. 5 is a side, open view of the foldable guitar stand of my invention, which is a reverse view of FIG. 4;

FIG. 6 is a top plan, open view of the foldable guitar stand of my invention;

FIG. 7 is a top plan, open view of the foldable guitar stand of my invention, which is a reverse view of FIG. 6;

FIG. 8 is a front elevational, closed view of the foldable guitar stand of my invention;

FIG. 9 is a rear elevational, closed view of the foldable guitar stand of my invention, which is a reverse view of FIG. 8;

FIG. 10 is a side closed view of the foldable guitar stand of my invention, which is based on FIG. 9, rotated ninety degrees leftwardly about a vertical axis;

FIG. 11 is a side closed view of the foldable guitar stand of my invention, which is a reverse view of FIG. 10;

FIG. 12 is a bottom plan, closed view of the foldable guitar stand of my invention;

FIG. 13 is a top plan, closed view of the foldable guitar stand of my invention, which is a reverse view of FIG. 12;

FIG. 14 is a top plan, folded view of the foldable guitar stand of my invention;

FIG. 15 is a bottom plan, folded view of the foldable guitar stand of my invention, which is a reverse view of FIG. 14;

FIG. 16 is an end plan, folded view of the foldable guitar stand of my invention;

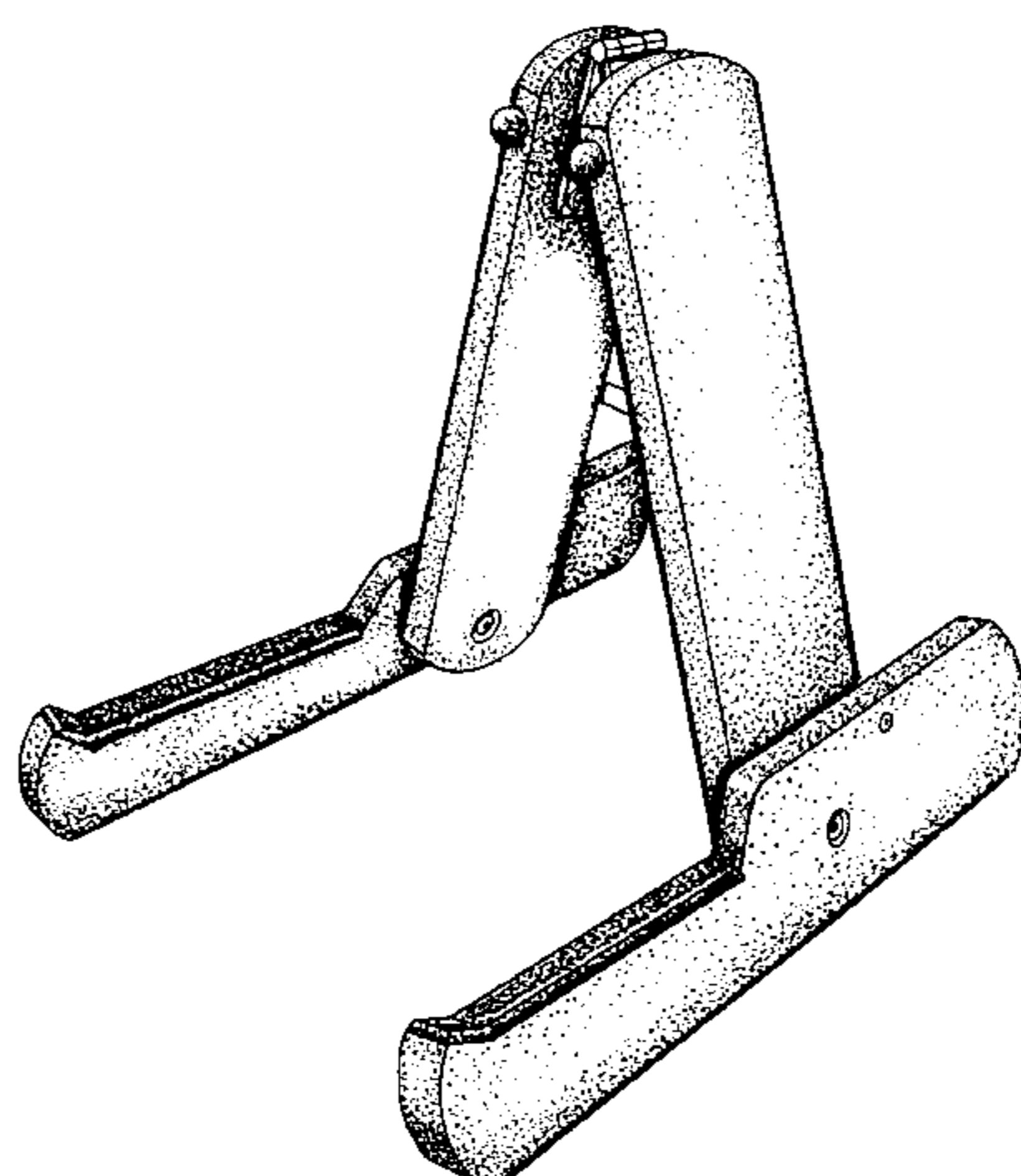
FIG. 17 is an end plan, folded view of the foldable guitar stand of my invention, which is a reverse view of FIG. 16;

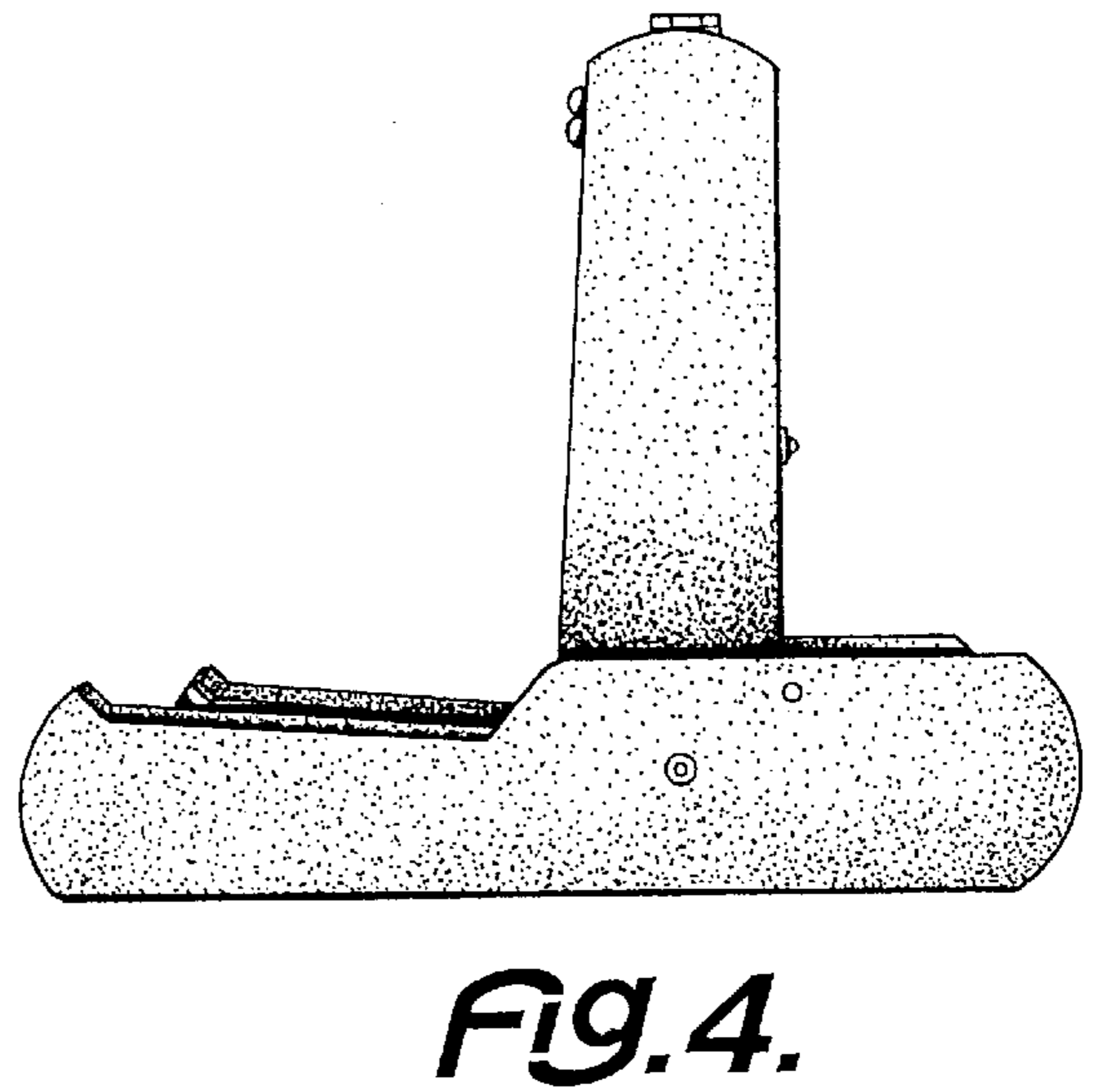
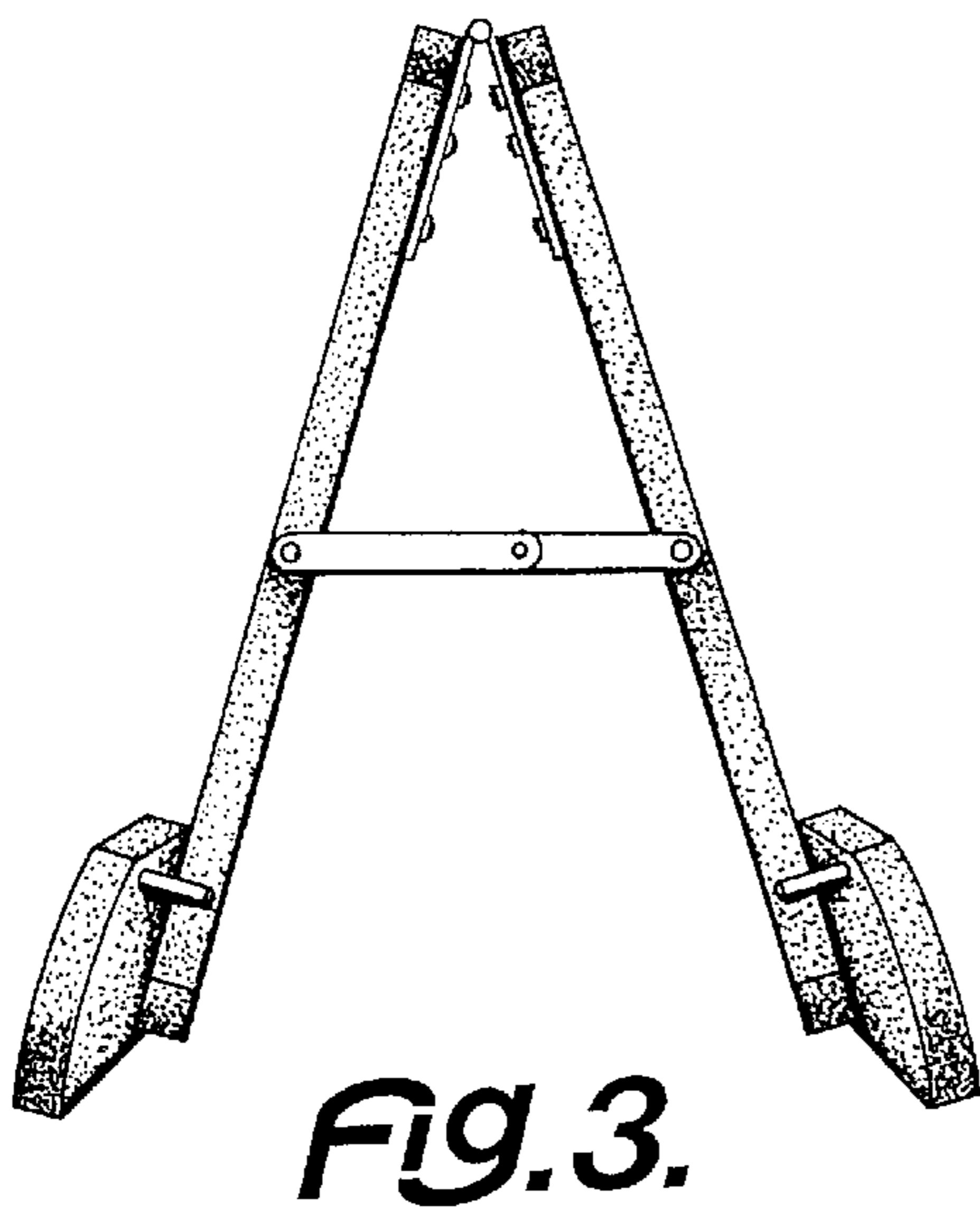
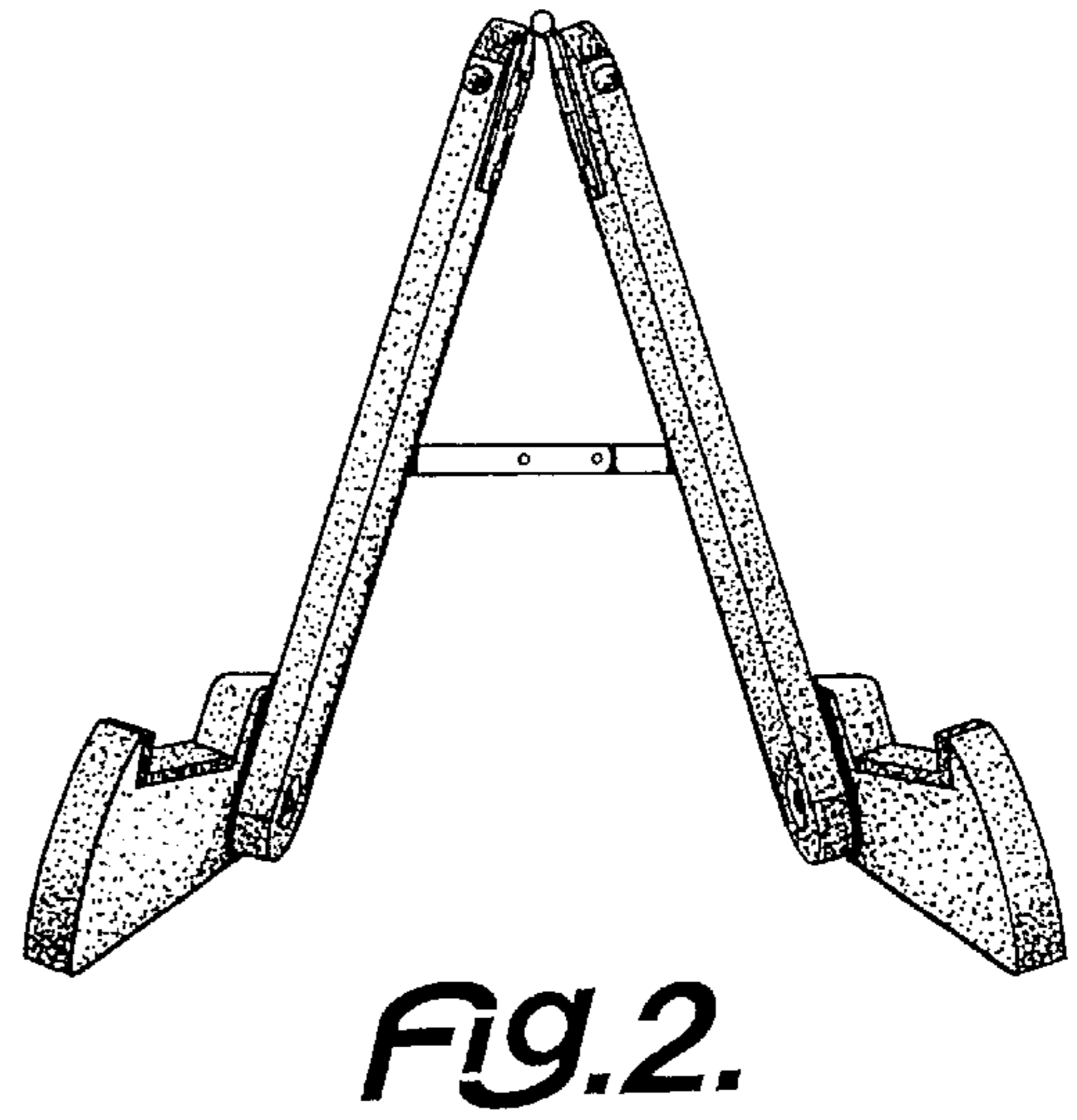
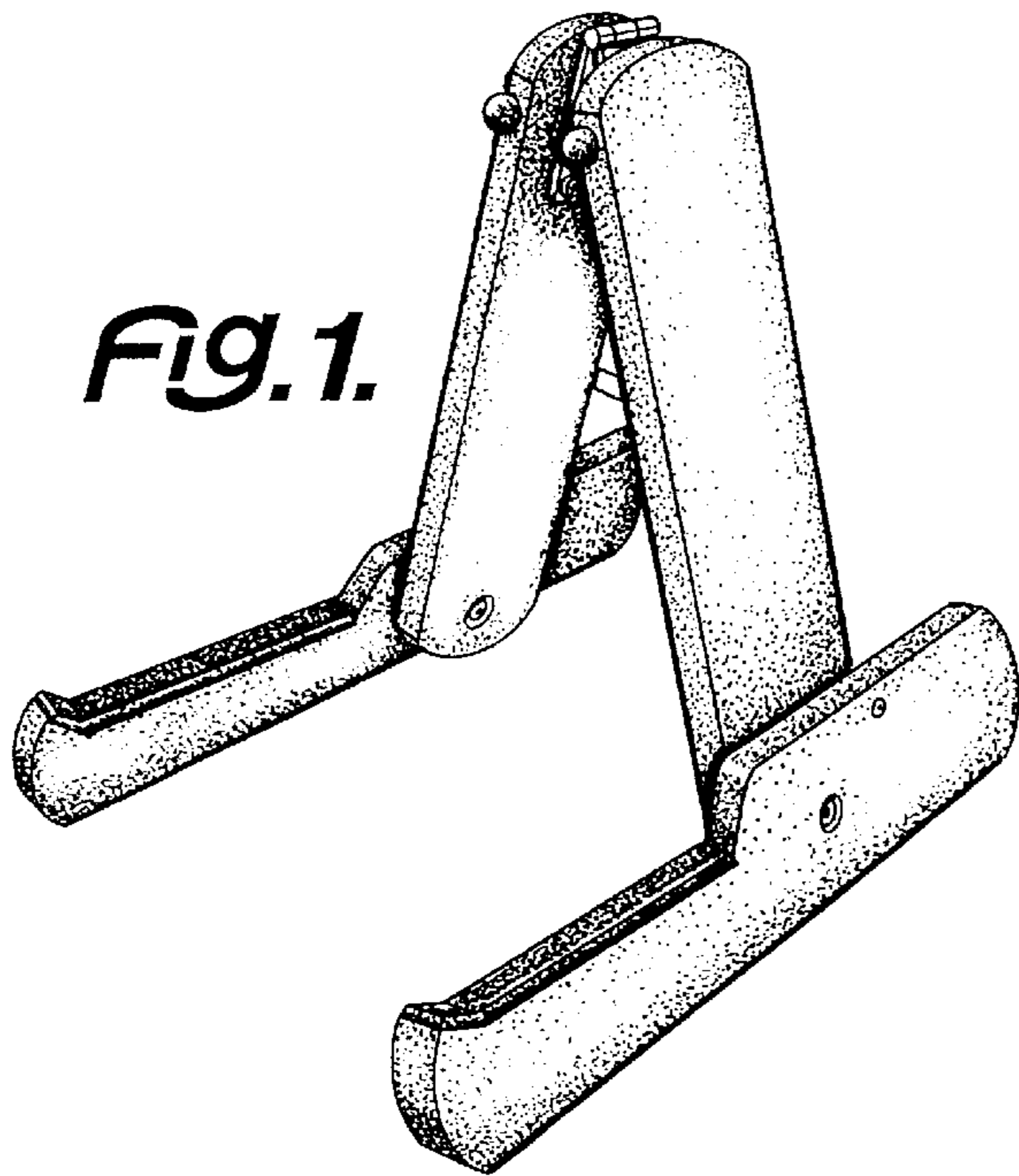
FIG. 18 is a side, folded view of the foldable guitar stand of my invention;

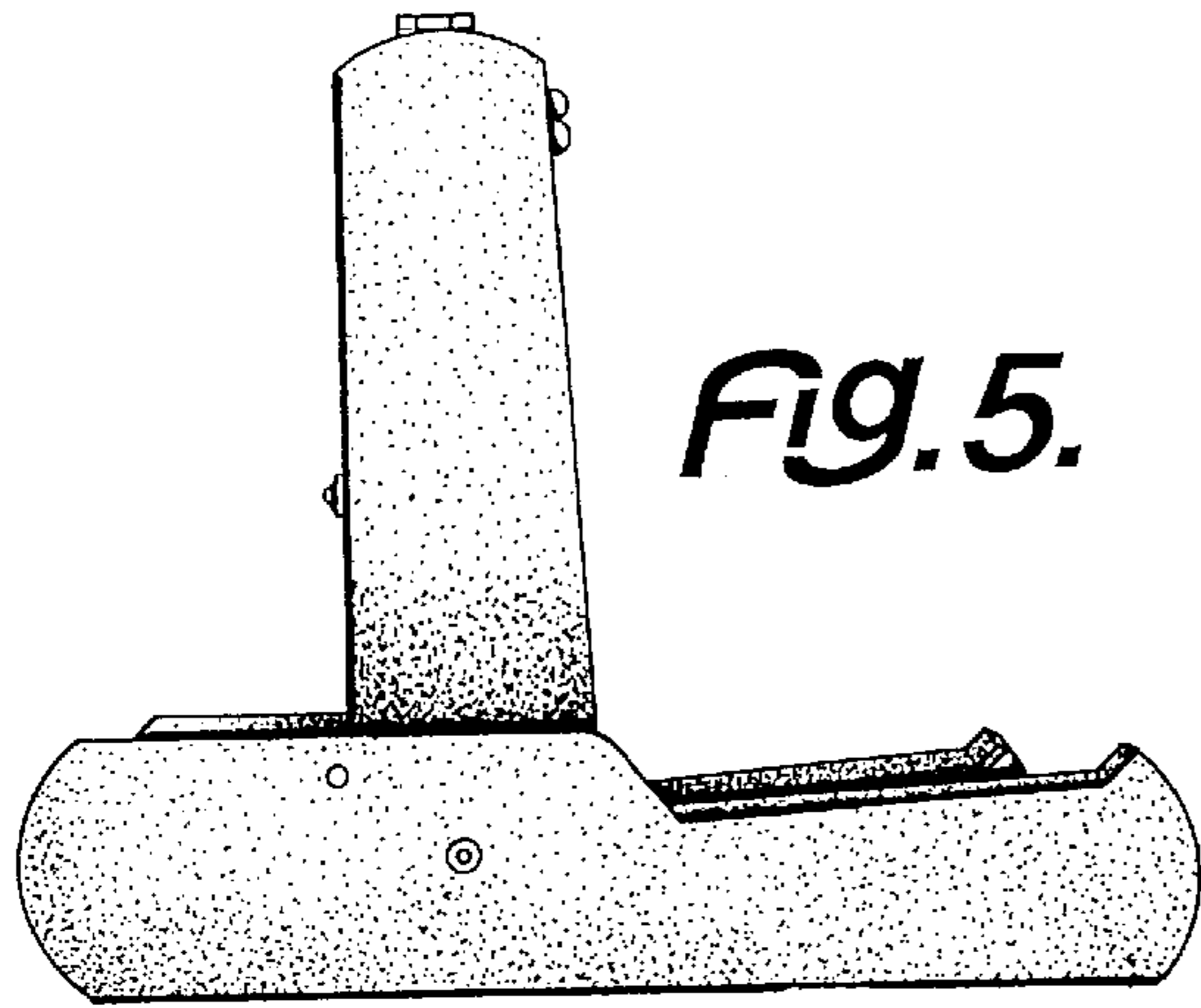
FIG. 19 is a side folded view of the foldable guitar stand of my invention, which is a reverse view of FIG. 18; and,

FIG. 20 is a side exploded view of the foldable guitar stand of my invention, which is a reverse view of FIG. 18.

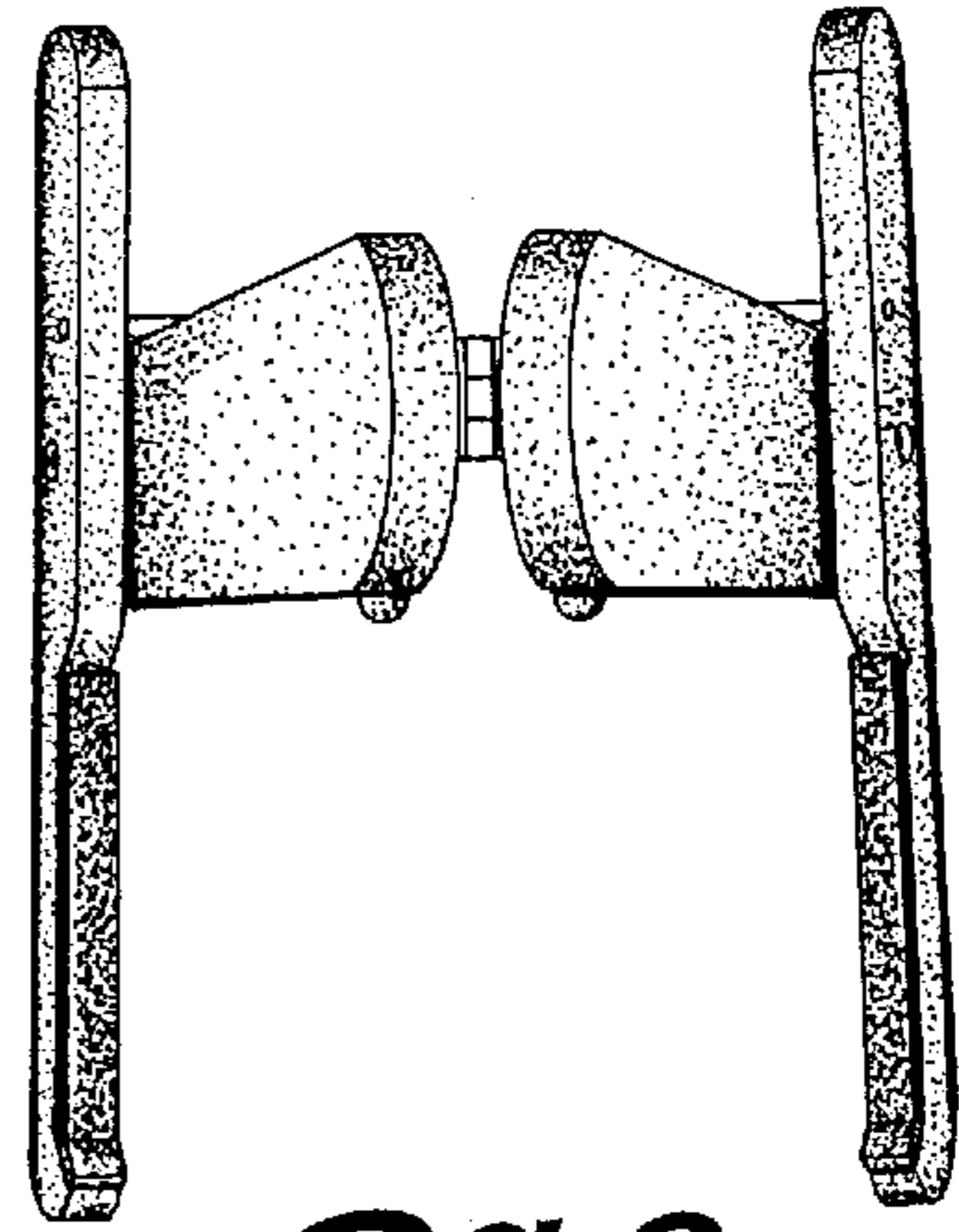
**1 Claim, 4 Drawing Sheets**



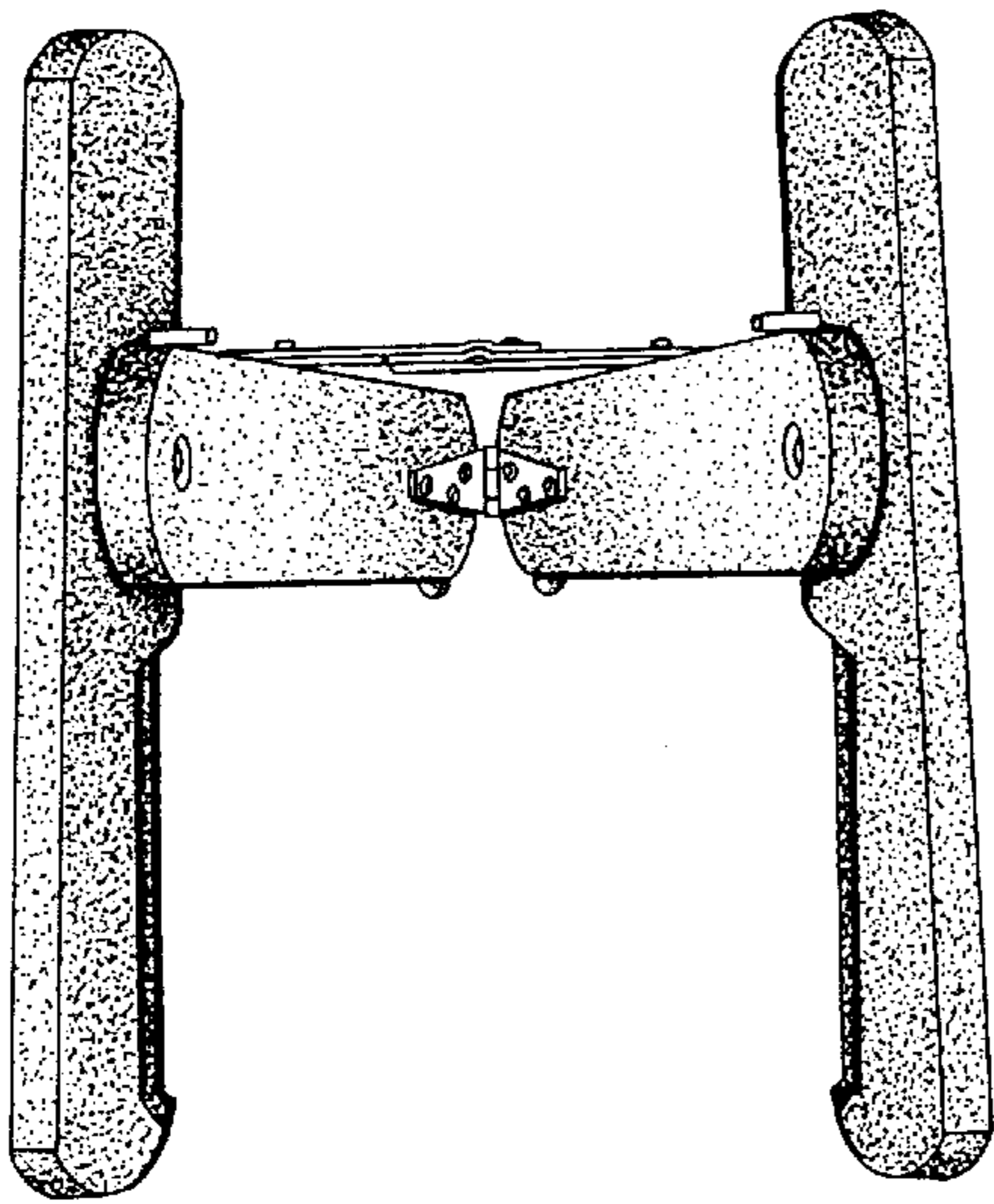




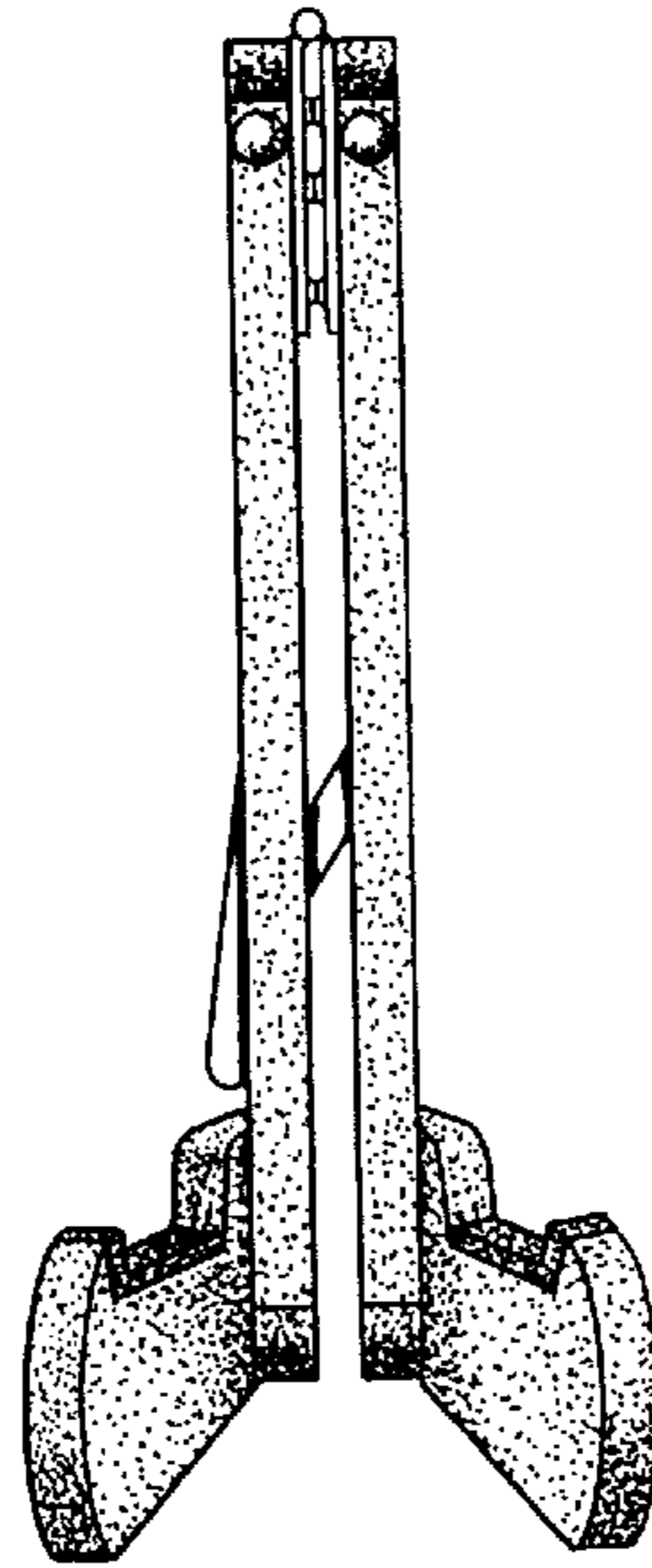
*FIG. 5.*



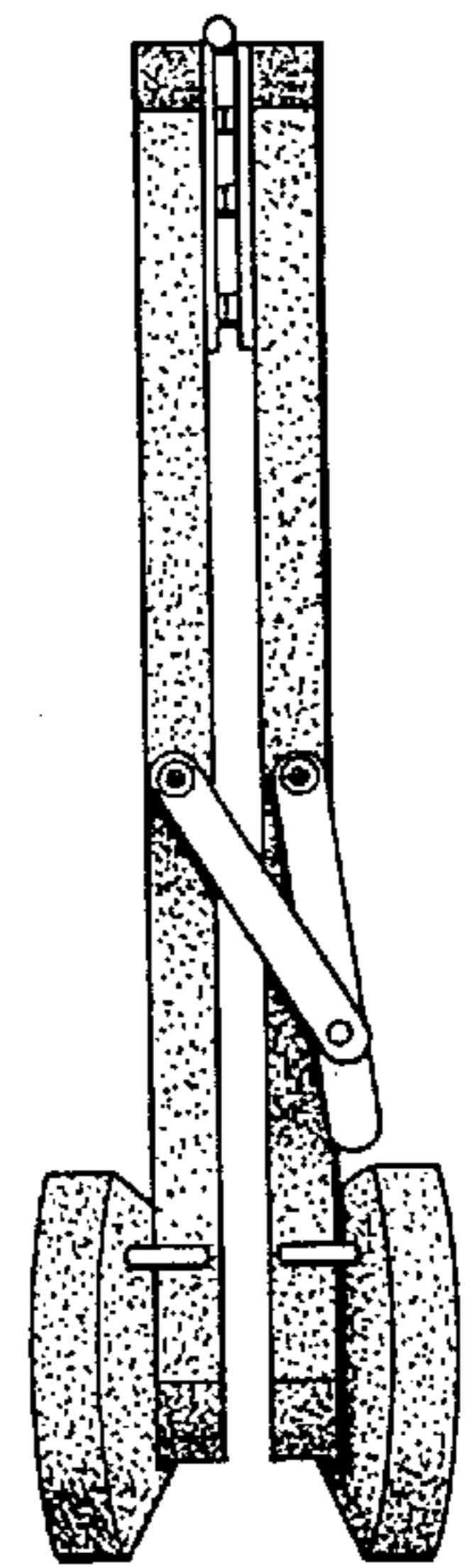
*FIG. 6.*



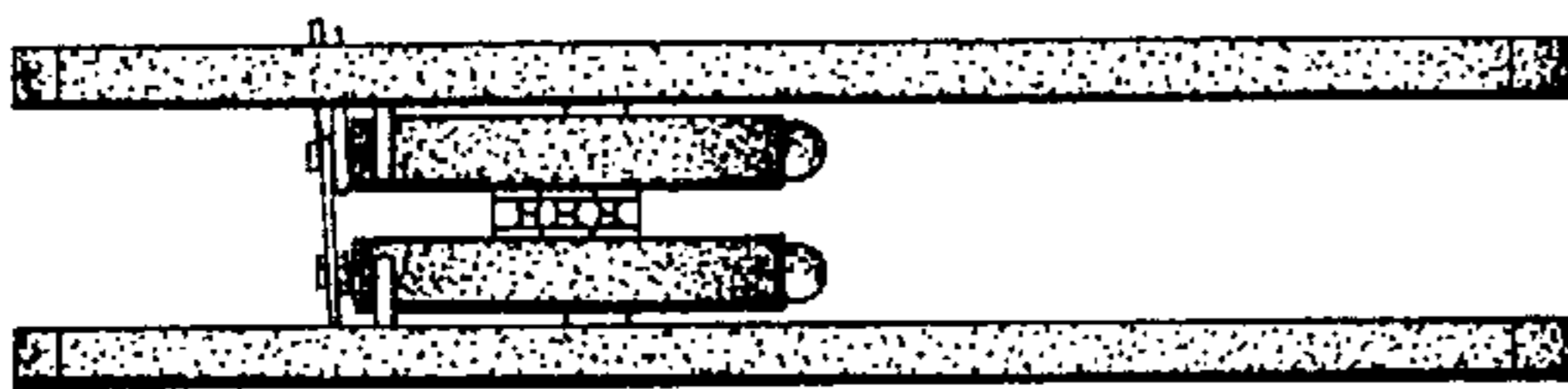
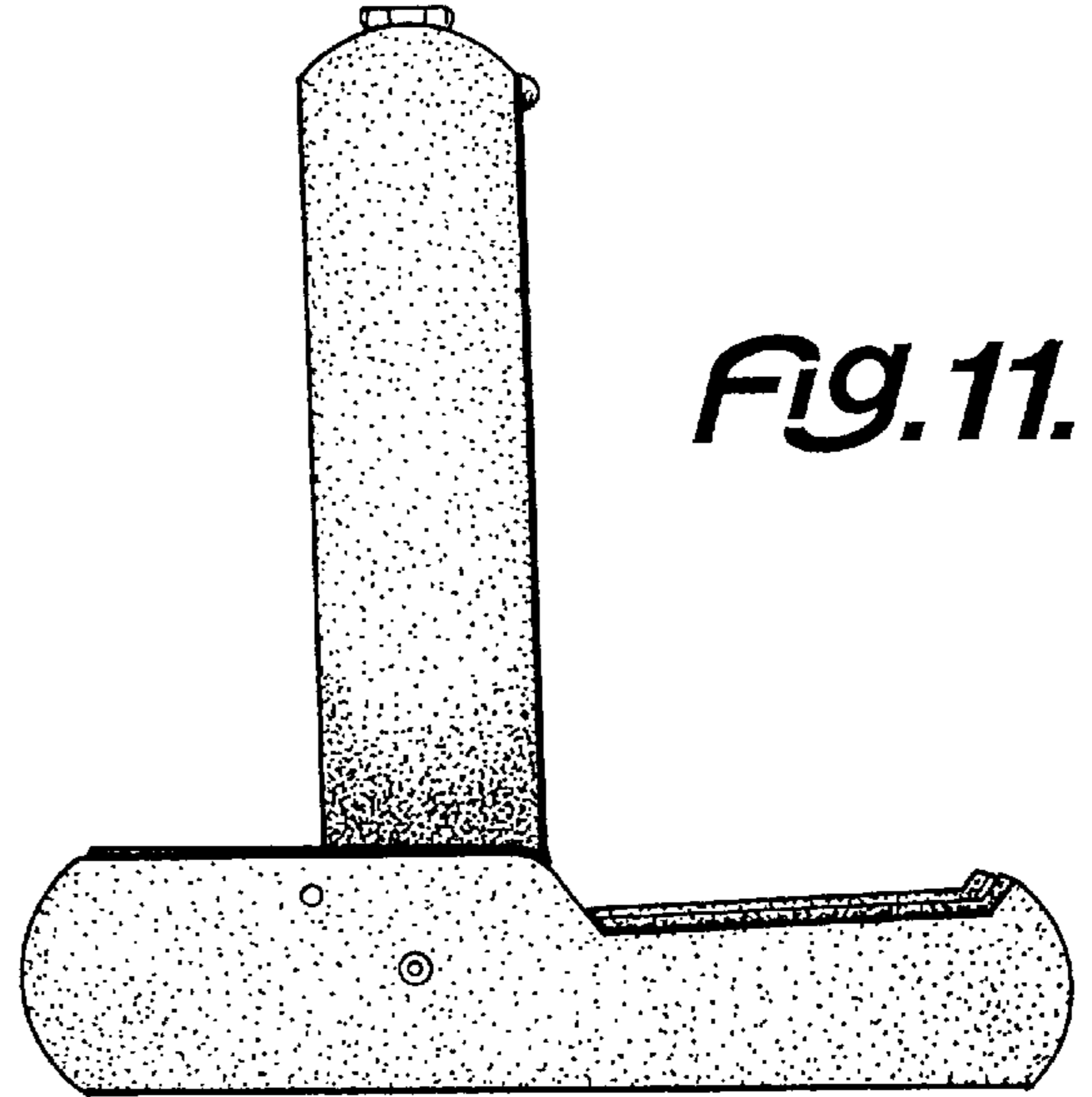
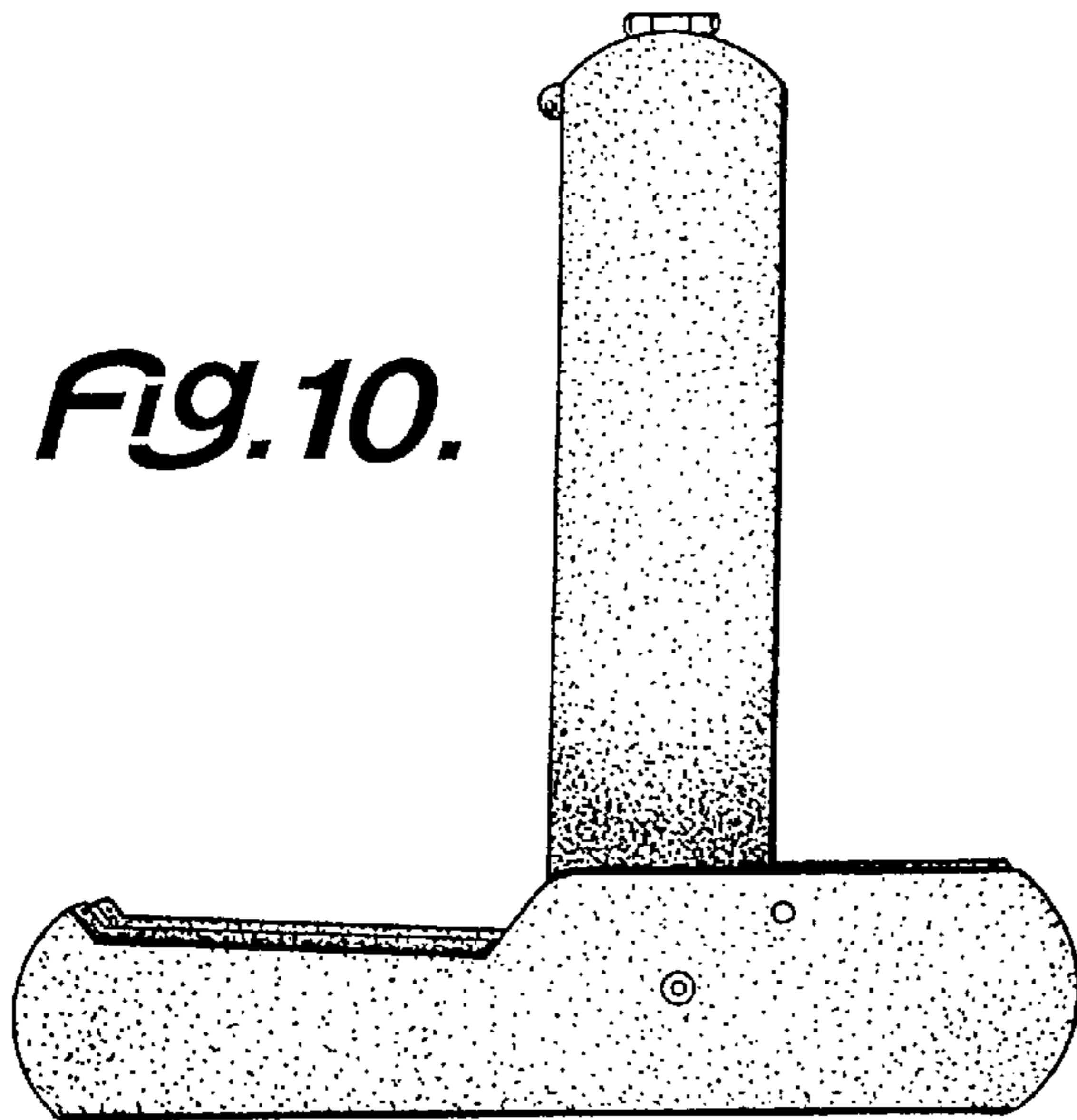
*FIG. 7.*



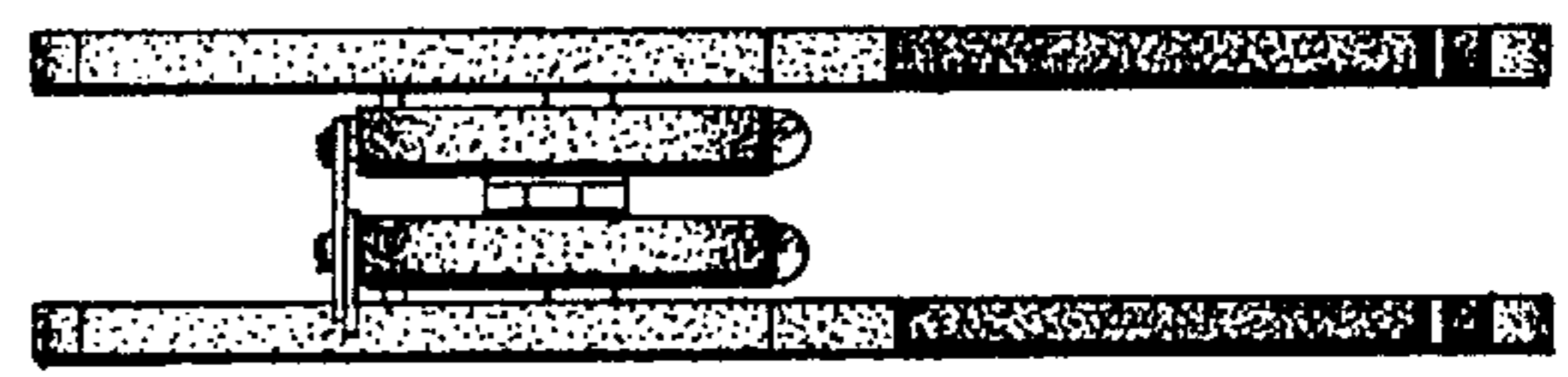
*FIG. 8.*



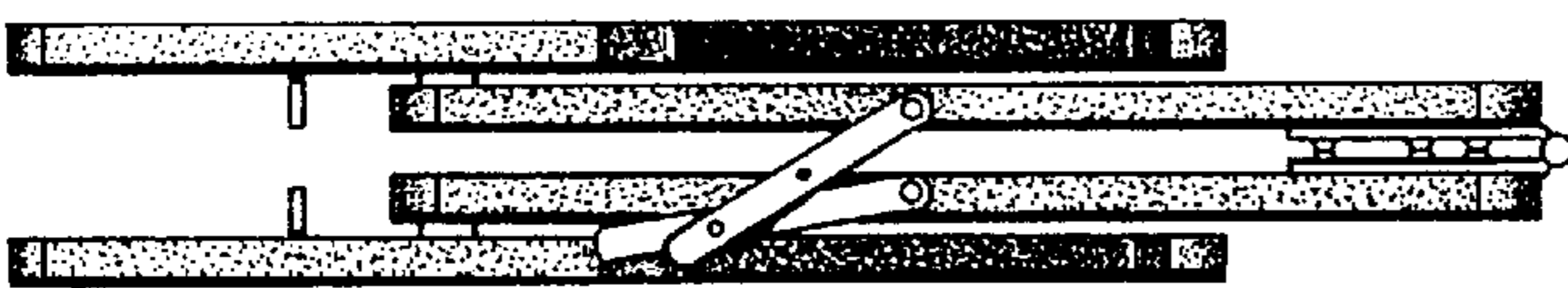
*FIG. 9.*



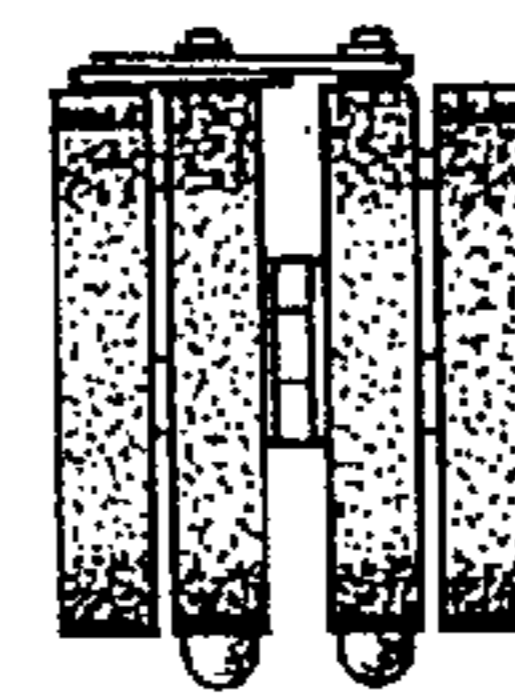
**FIG. 12.**



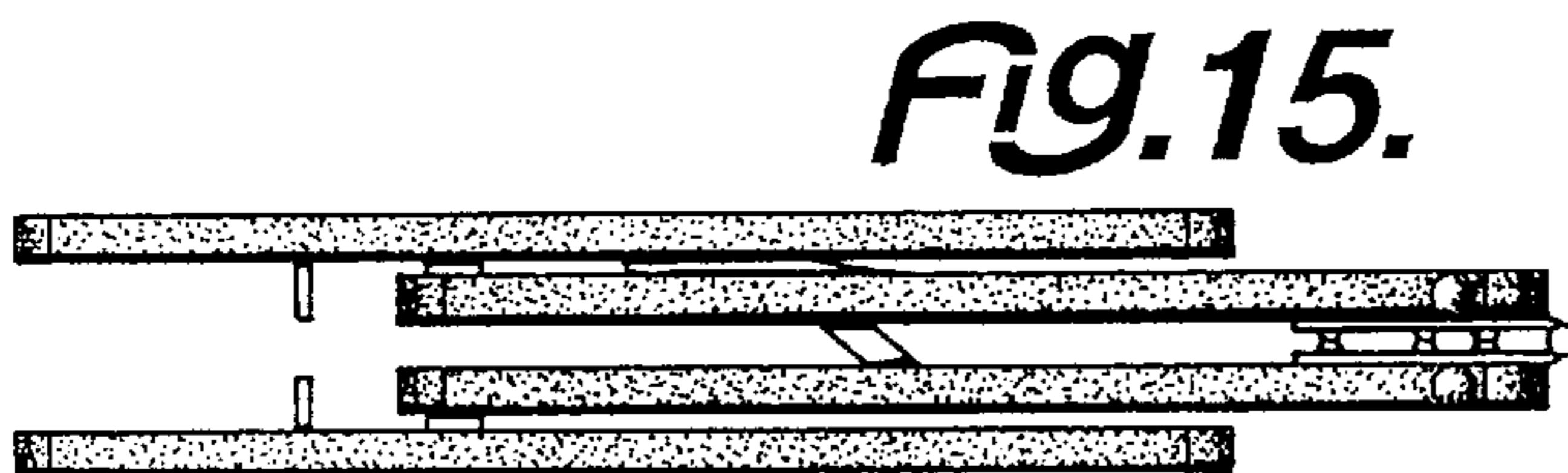
**FIG. 13.**

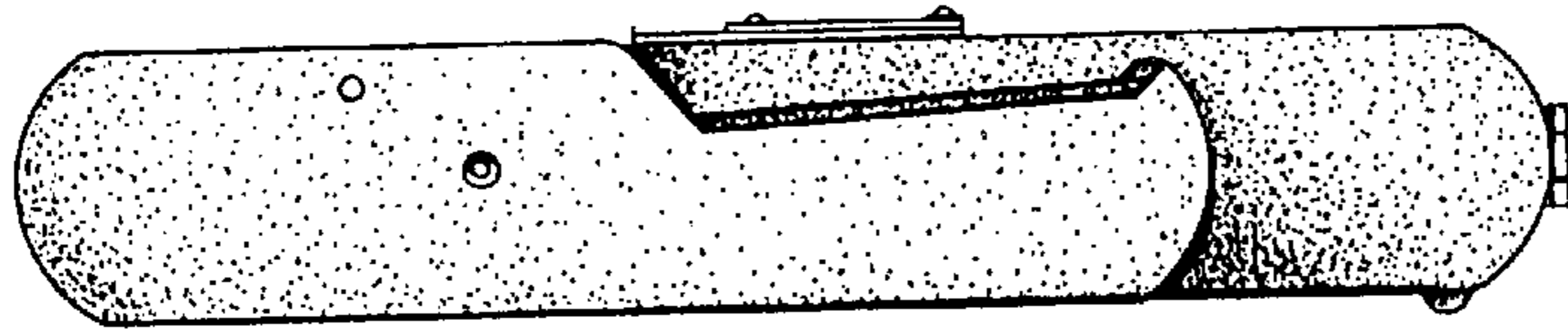


**FIG. 14.**

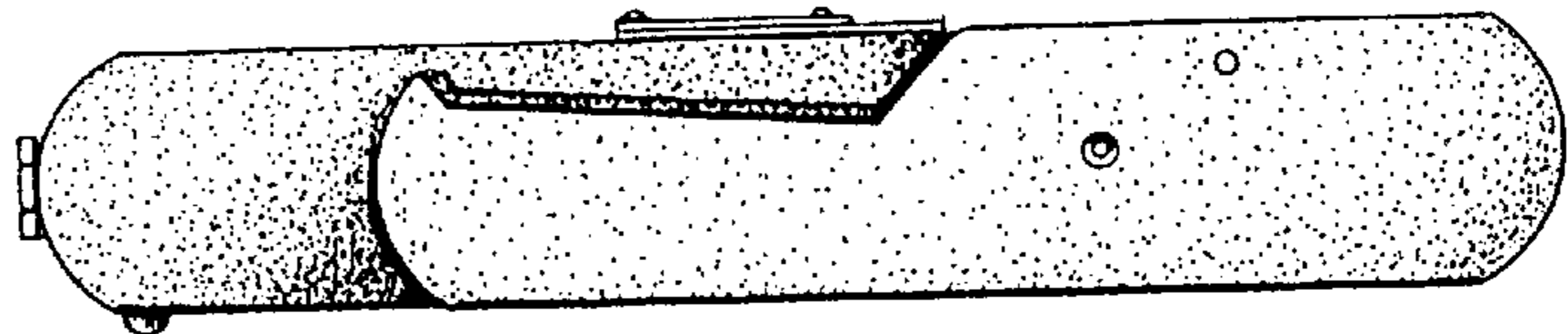


**FIG. 16.**





*FIG. 18.*



*FIG. 19.*

*FIG. 20.*

