



US00D436464S

(12) **United States Design Patent**
Goodman et al.

(10) **Patent No.: US D436,464 S**
(45) **Date of Patent: ** Jan. 23, 2001**

(54) **MAGAZINE HOLDER**

(75) Inventors: **Sheldon H. Goodman**, 30905 Stratford,
Solon, OH (US) 44139; **Brian**
Stelmarski, Mayfield Heights, OH (US)

(73) Assignee: **Sheldon H. Goodman**, Solon, OH (US)

(**) Term: **14 Years**

(21) Appl. No.: **29/119,923**

(22) Filed: **Mar. 10, 2000**

(51) **LOC (7) Cl.** **06-04**

(52) **U.S. Cl.** **D6/462; D6/475**

(58) **Field of Search** D6/329, 396, 407,
D6/449, 462-469, 475, 512, 524, 546;
D7/704, 631; D19/75, 86, 90, 91; 211/13.1,
40, 41.4, 45, 49.1, 50, 181.1; 248/441.1,
450, 451, 465.1, 175

(56) **References Cited**

U.S. PATENT DOCUMENTS

- D. 120,494 * 5/1940 Watral D7/704
- D. 171,645 * 3/1954 Fraley D6/462
- D. 177,903 * 6/1956 Duchin D6/462

- D. 195,476 * 6/1963 Christoffersen D7/704
- D. 203,585 * 2/1966 Triggs D34/17
- D. 314,098 * 1/1991 Kee D6/462
- D. 322,002 * 12/1991 Emery D6/566
- 4,117,936 * 10/1978 Dawson 211/50

OTHER PUBLICATIONS

W. Bell & Co. 1986 Cat., p. 194: item Nos. 12-15.*

* cited by examiner

Primary Examiner—Catherine Tuttle

(74) *Attorney, Agent, or Firm*—Pearne & Gordon LLP

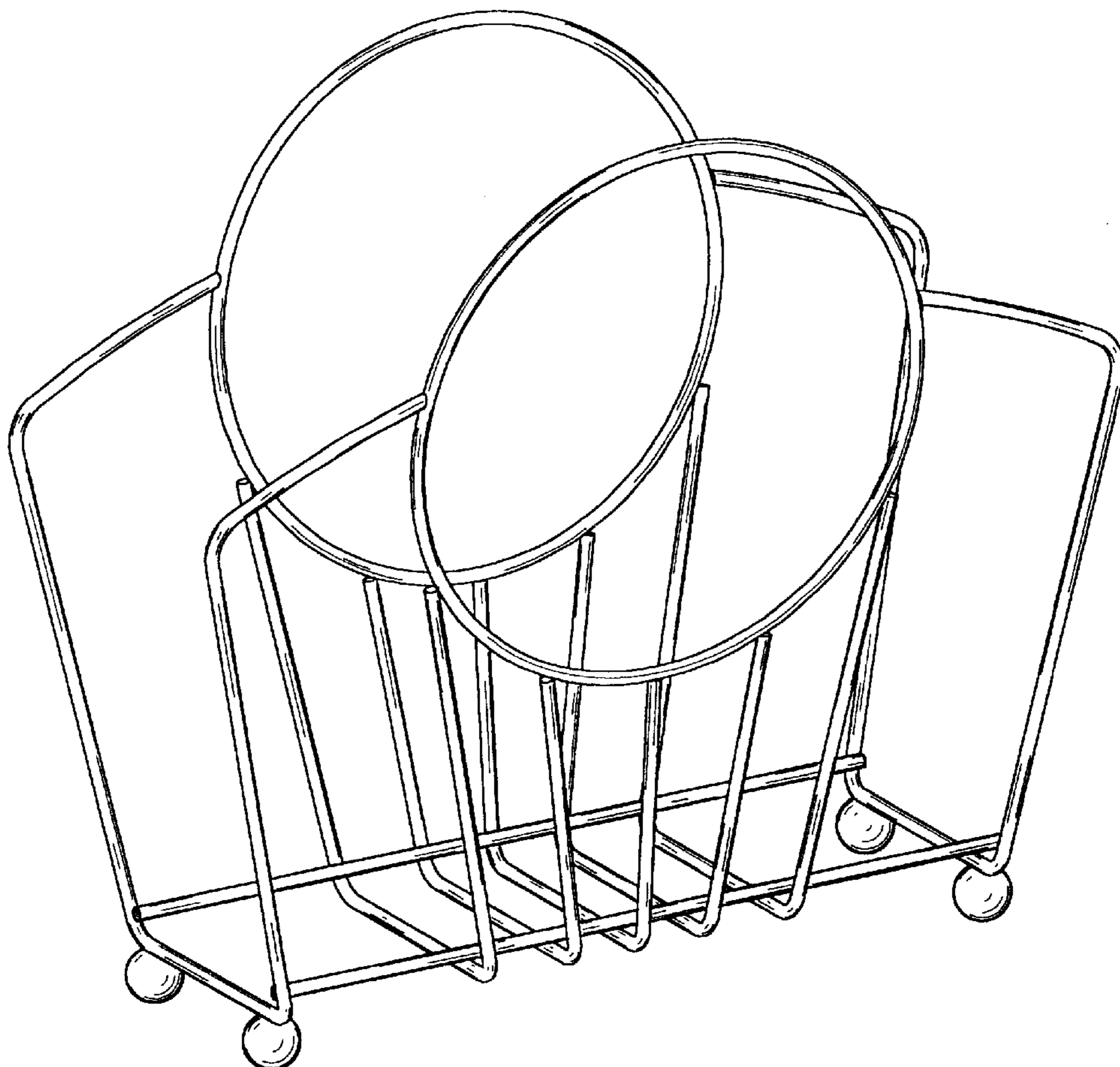
(57) **CLAIM**

The ornamental design for a magazine holder, as shown and described.

DESCRIPTION

FIG. 1 is a top, front and side perspective view of a magazine holder showing our new design;
FIG. 2 is a front elevational view thereof;
FIG. 3 is a side elevational view thereof;
FIG. 4 is a top plan view thereof; and,
FIG. 5 is a bottom plan view thereof.

1 Claim, 2 Drawing Sheets



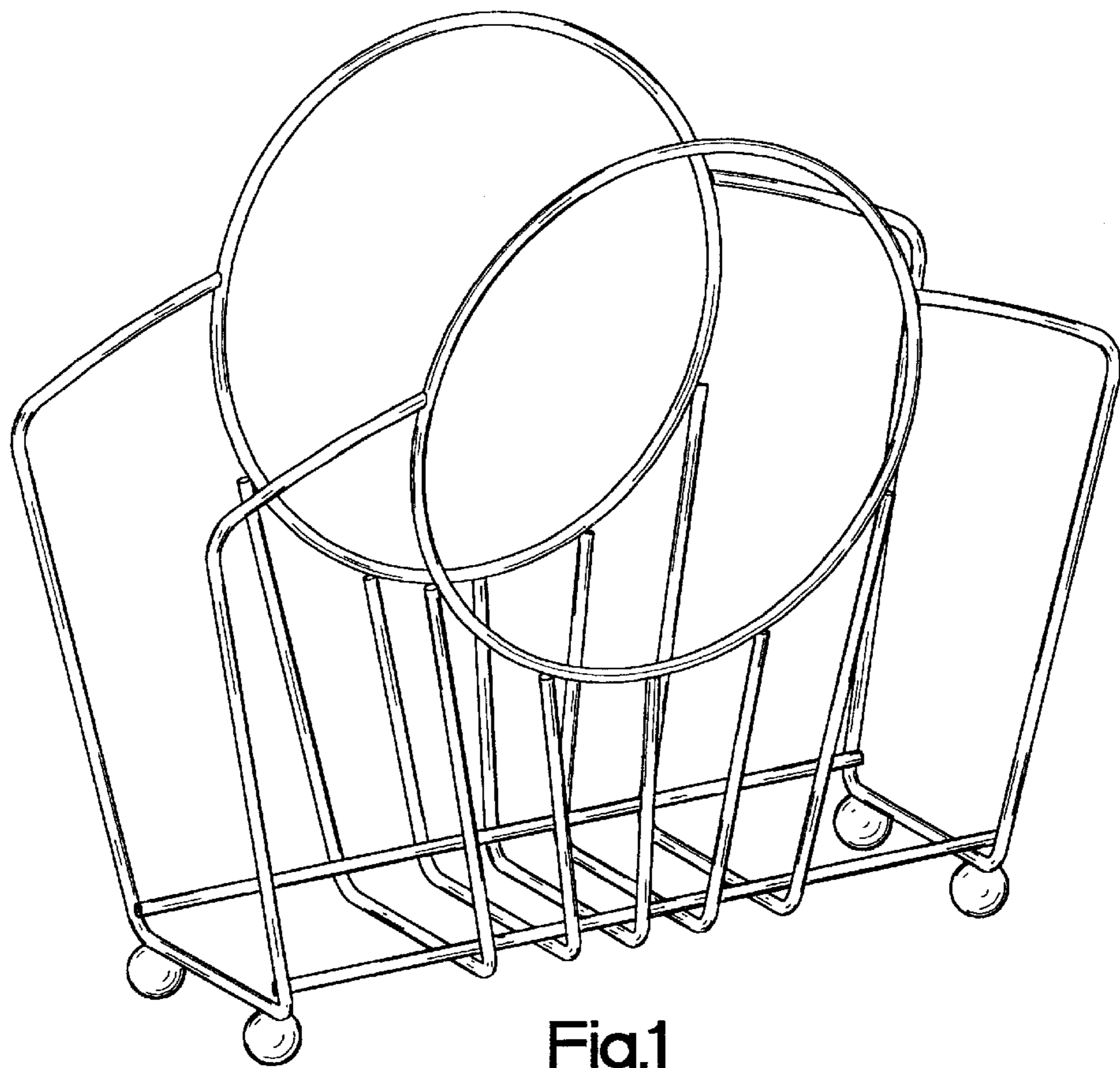


Fig.1

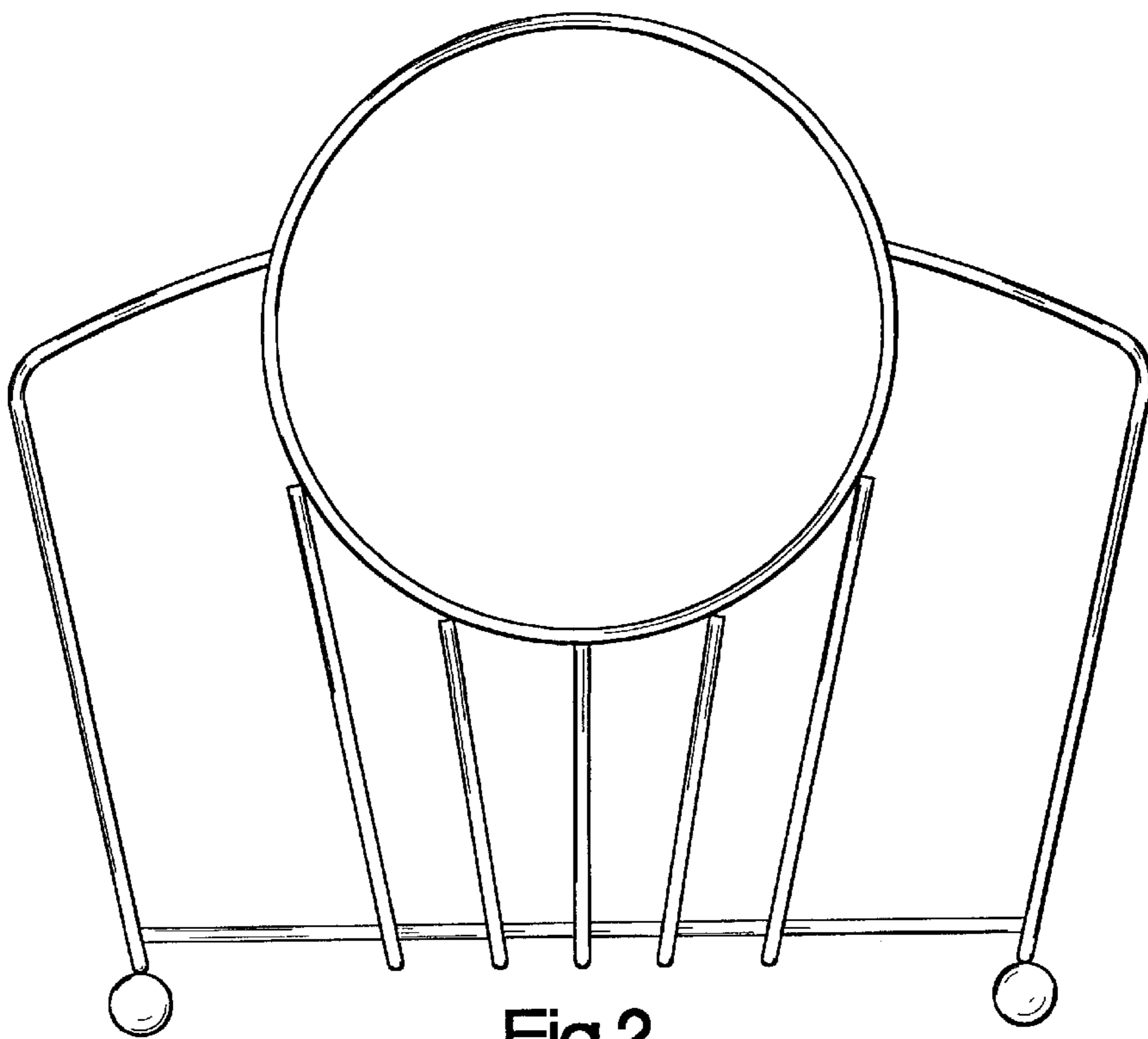


Fig.2

