



US00D436458S

(12) **United States Design Patent**
Tseng

(10) **Patent No.:** **US D436,458 S**

(45) **Date of Patent:** **** Jan. 23, 2001**

(54) **CHAIR**

(75) Inventor: **Chuen-Jong Tseng**, Chiayi Hsien (TW)

(73) Assignee: **Shin Yeh Enterprise Co., Ltd.** (TW)

(**) Term: **14 Years**

(21) Appl. No.: **29/120,372**

(22) Filed: **Mar. 17, 2000**

(51) **LOC (7) Cl.** **06-01**

(52) **U.S. Cl.** **D6/376; D6/369; D6/379**

(58) **Field of Search** **D6/334, 358, 369, D6/370, 374, 376, 379, 380, 500, 501, 502; 297/446.1, 411.4, 411.41, 452.64**

(56) **References Cited**

U.S. PATENT DOCUMENTS

- D. 180,707 * 7/1957 Brashear D6/376
- D. 183,241 * 7/1958 Cohen D6/379

- D. 317,536 * 6/1991 Hess D6/380
- D. 369,920 * 5/1996 Tseng D6/376

* cited by examiner

Primary Examiner—Gary D. Watson

(74) *Attorney, Agent, or Firm*—Ladas & Parry

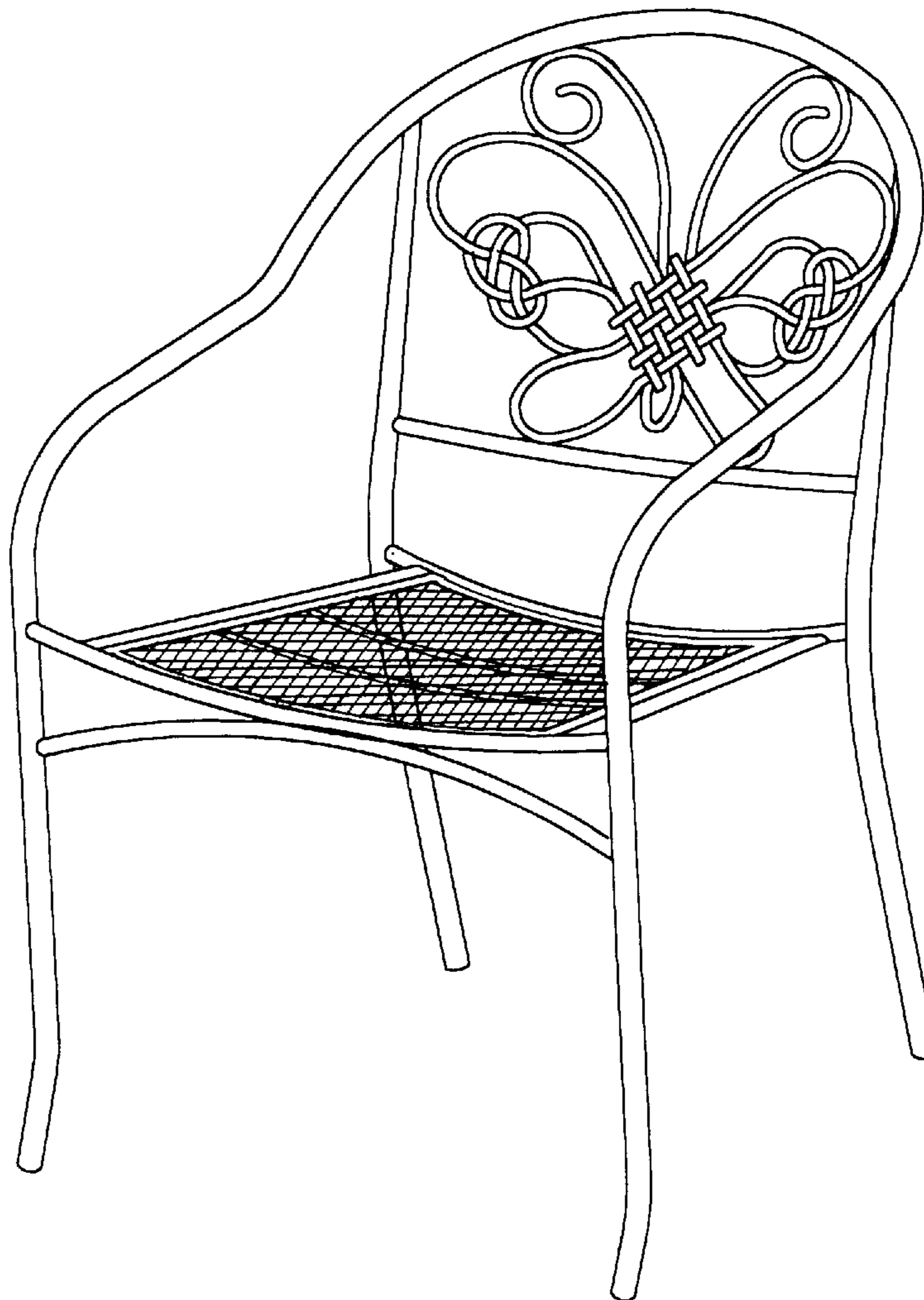
(57) **CLAIM**

The ornamental design for chair, as shown and described.

DESCRIPTION

FIG. 1 is a perspective view of chair showing my new design;
 FIG. 2 is a front elevational view thereof;
 FIG. 3 is a rear elevational view thereof;
 FIG. 4 is a left side elevational view thereof;
 FIG. 5 is a right side elevational view thereof;
 FIG. 6 is a top plan view thereof; and,
 FIG. 7 is a bottom plan view thereof.

1 Claim, 4 Drawing Sheets



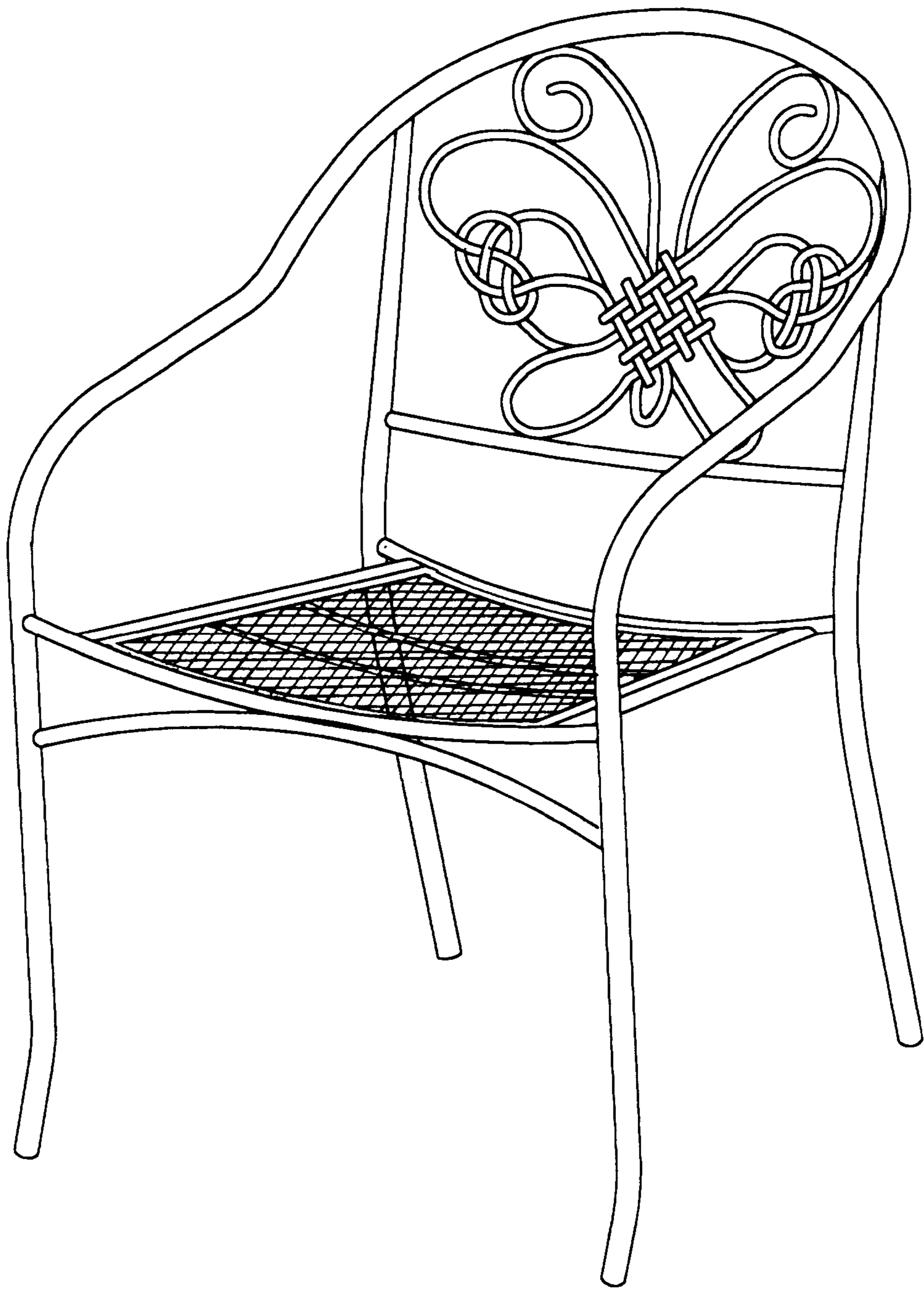


FIG. 1

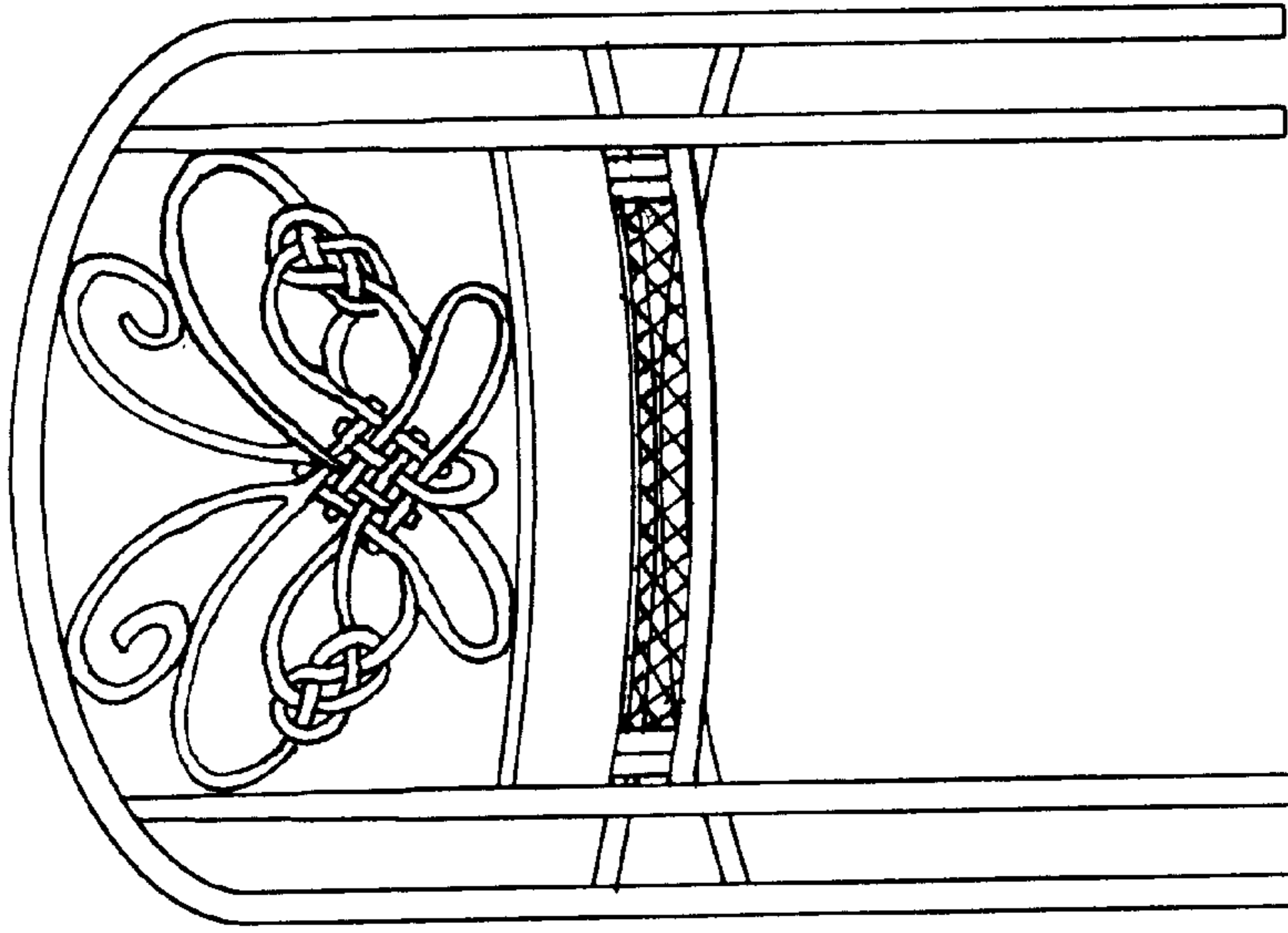


FIG. 3

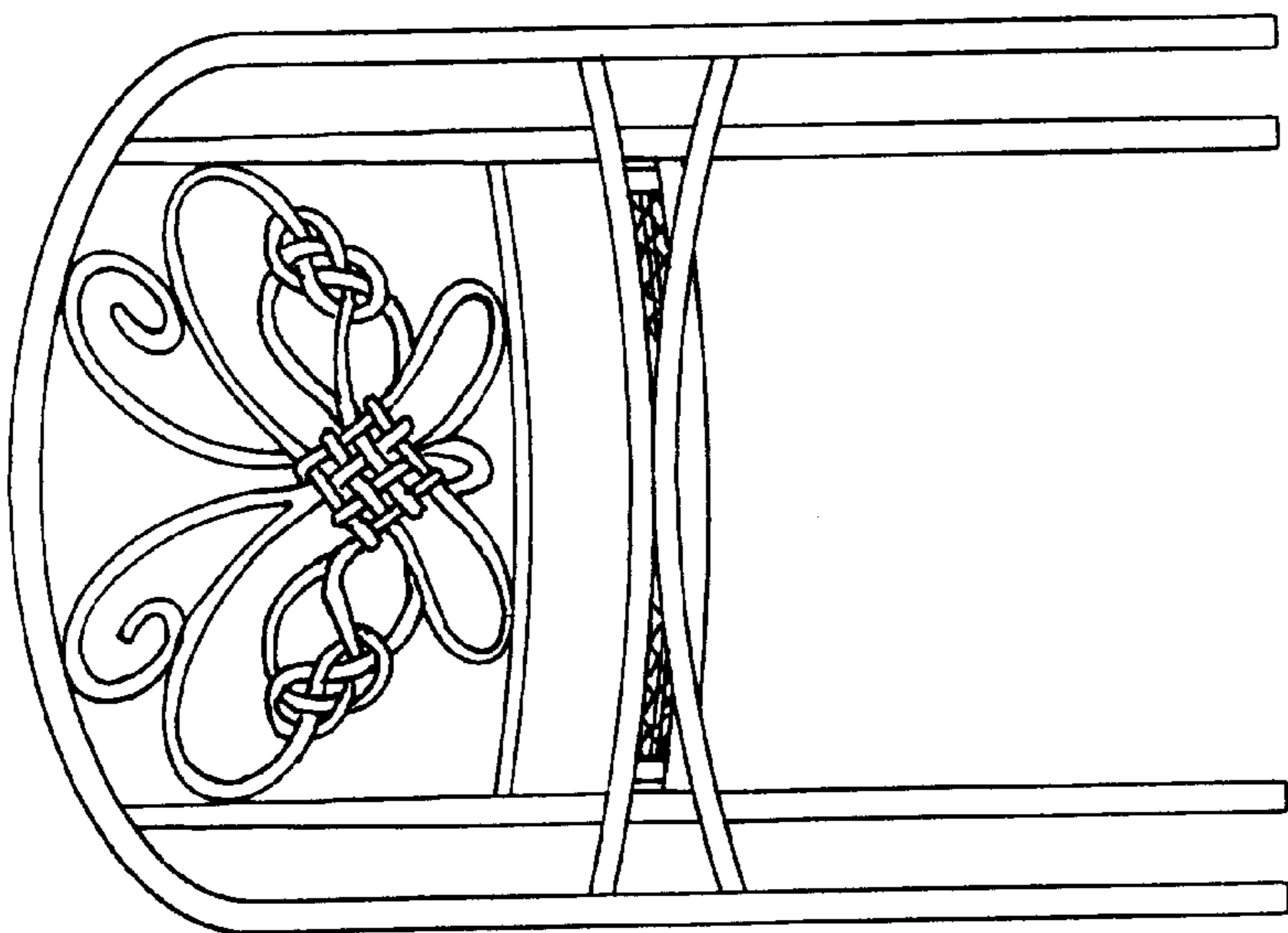


FIG. 2

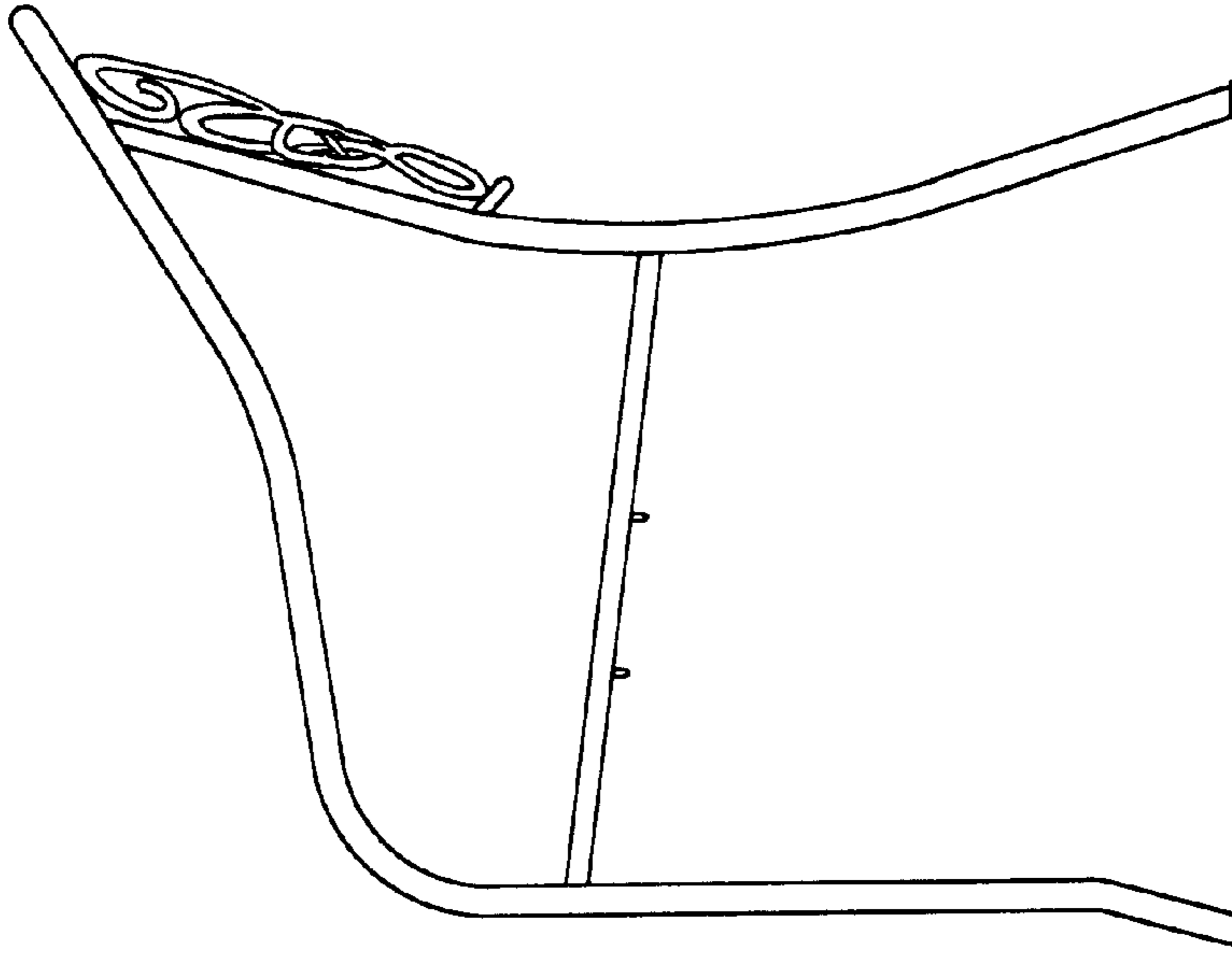


FIG. 5

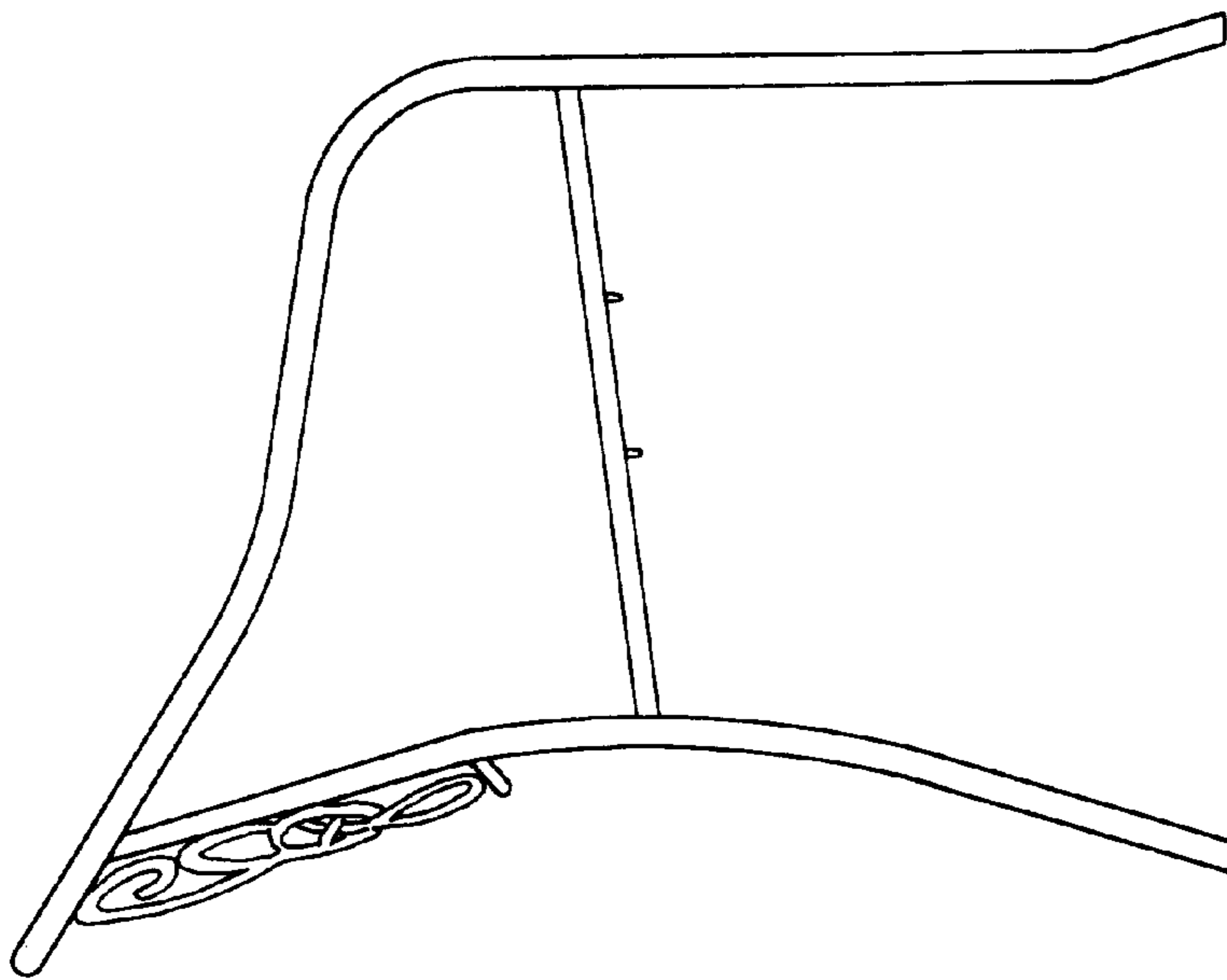


FIG. 4

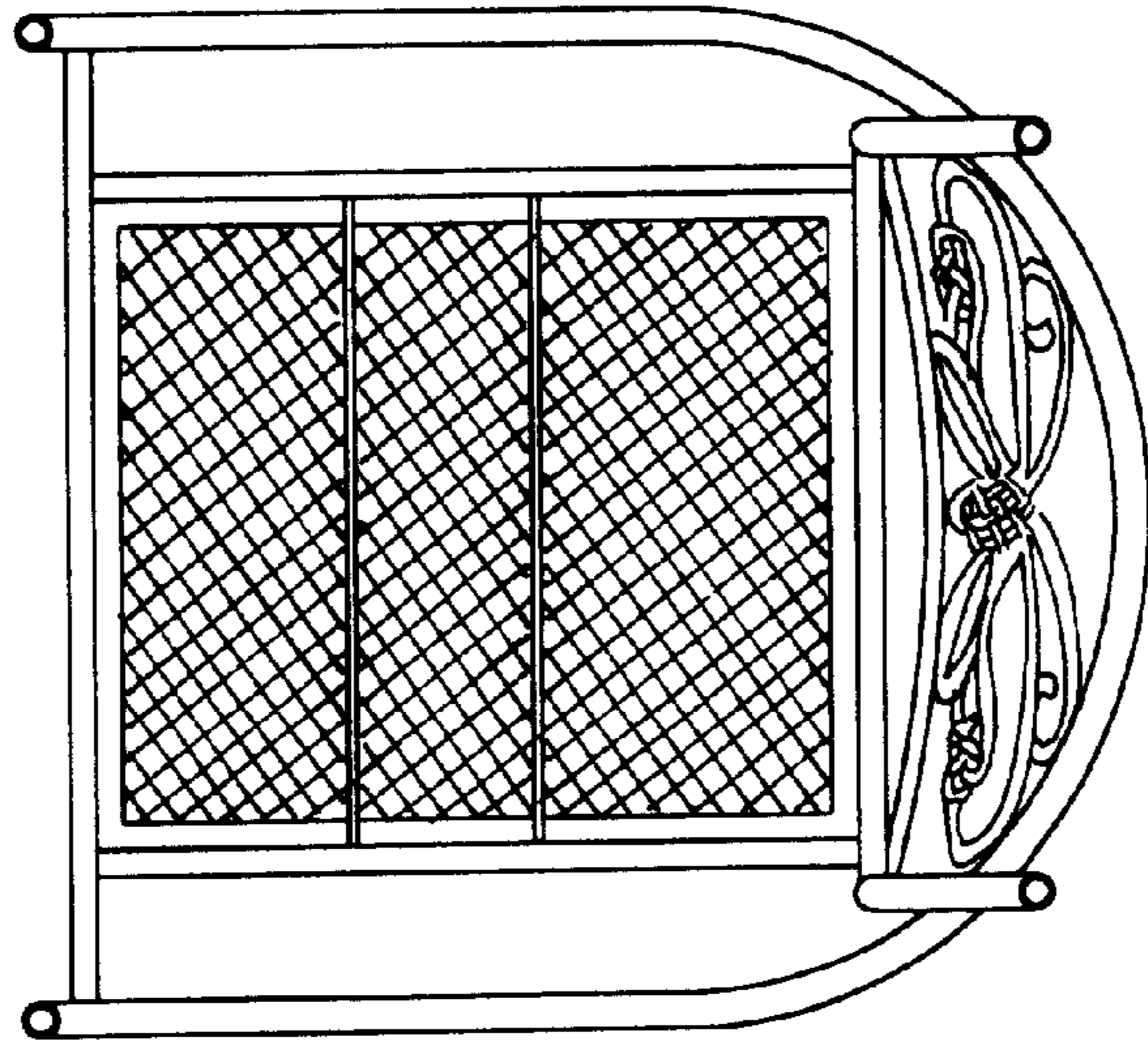


FIG. 7

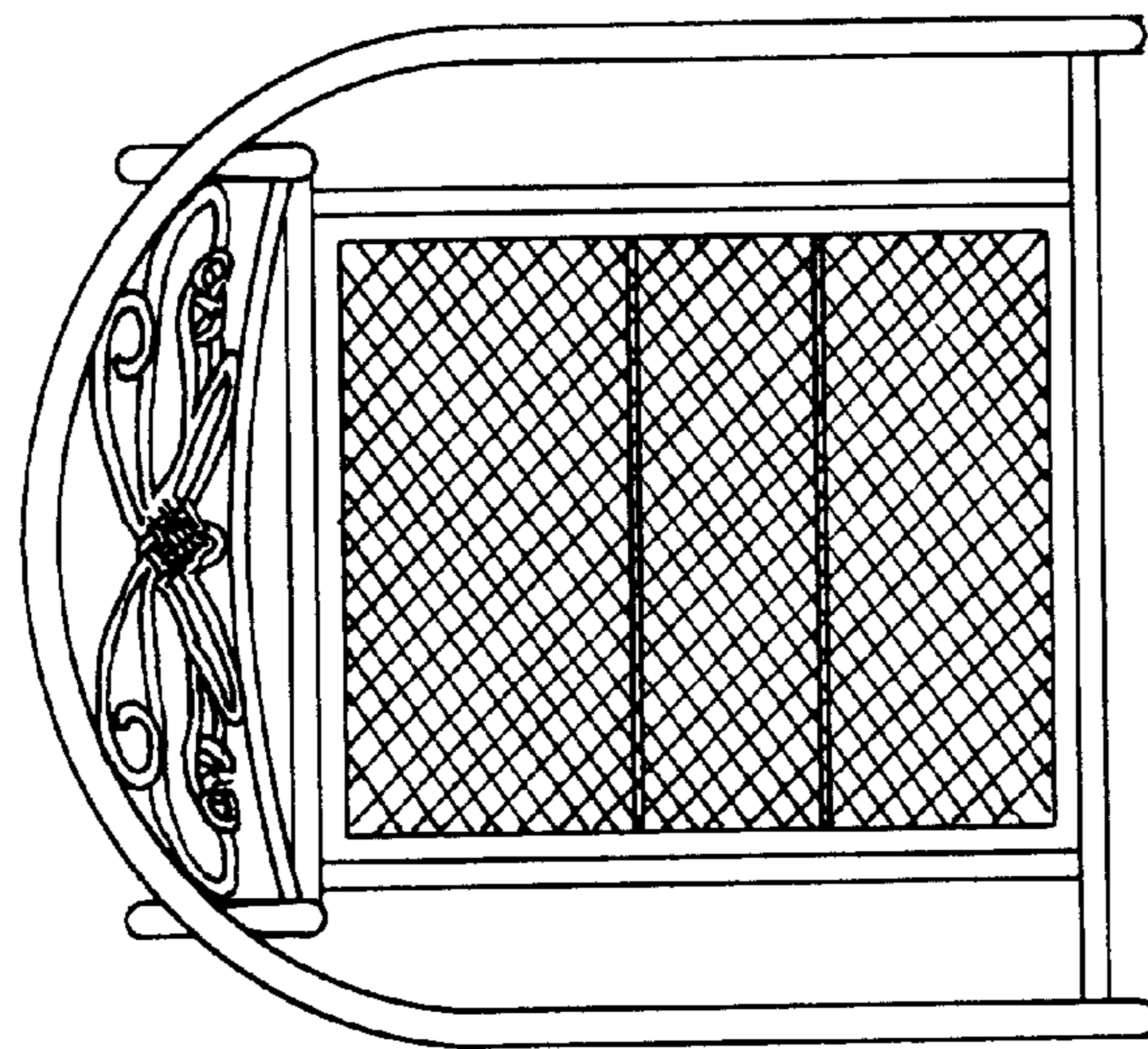


FIG. 6