



US00D436456S

(12) **United States Design Patent**
Neil

(10) **Patent No.:** **US D436,456 S**

(45) **Date of Patent:** **** Jan. 23, 2001**

(54) **CHAIR**

(75) **Inventor:** **Gary Neil, Mississauga (CA)**

(73) **Assignee:** **Allseating Corporation, Mississauga (CA)**

(**) **Term:** **14 Years**

(21) **Appl. No.:** **29/121,966**

(22) **Filed:** **Apr. 12, 2000**

(51) **LOC (7) Cl.** **06-01**

(52) **U.S. Cl.** **D6/366**

(58) **Field of Search** D6/334, 364, 365,
D6/366, 367, 379, 500, 501, 502; 297/411.2,
411.27, 451.9, 452.13, 452.63

(56) **References Cited**

U.S. PATENT DOCUMENTS

D. 194,837	*	3/1963	Ridder et al.	D6/367
D. 227,829	*	7/1973	Klose	D6/366
D. 273,916	*	5/1984	Murry	D6/366
D. 320,120	*	9/1991	Samuelsson	D6/366

D. 346,279	*	4/1994	Stumpf et al.	D6/366
D. 377,431	*	1/1997	Stumpf et al.	D6/500
D. 386,023	*	11/1997	Stumpf et al.	D6/500
D. 401,771	*	12/1998	Goodworth et al.	D6/366
D. 410,799	*	6/1999	Meda	D6/366
D. 423,259	*	4/2000	Grove	D6/500

* cited by examiner

Primary Examiner—Gary D. Watson

(74) *Attorney, Agent, or Firm*—Eugene J. A. Gierczak

(57) **CLAIM**

The ornamental design for a chair, as shown and described.

DESCRIPTION

FIG. 1 is a front perspective view of a preferred embodiment of the chair.

FIG. 2 is a back perspective view of the chair.

FIG. 3 is a front view of the chair.

FIG. 4 is a left side view of the chair.

FIG. 5 is a back view of the chair.

FIG. 6 is a top view of the chair; and,

FIG. 7 is a bottom view of the chair.

1 Claim, 7 Drawing Sheets





FIG. 1

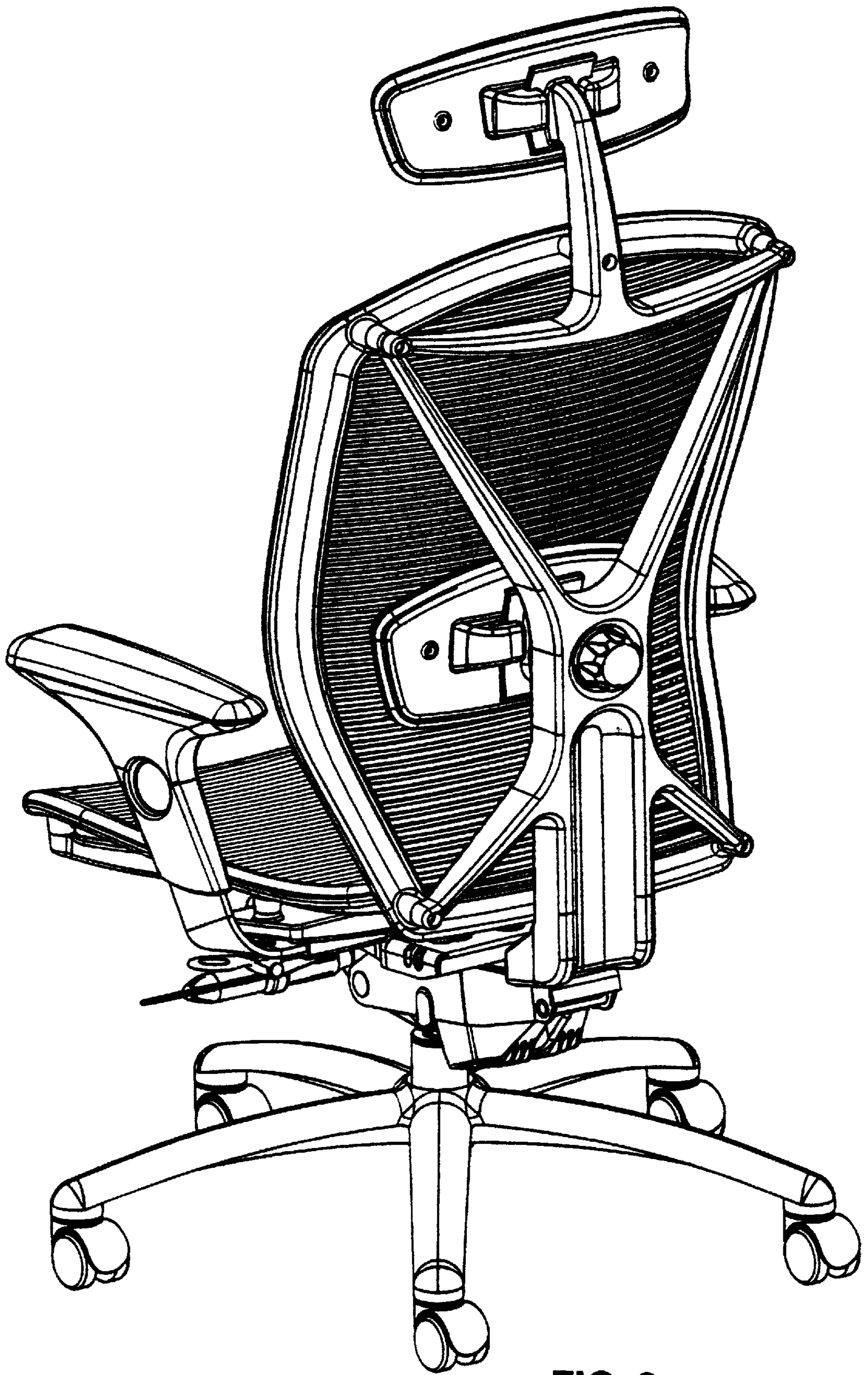


FIG. 2

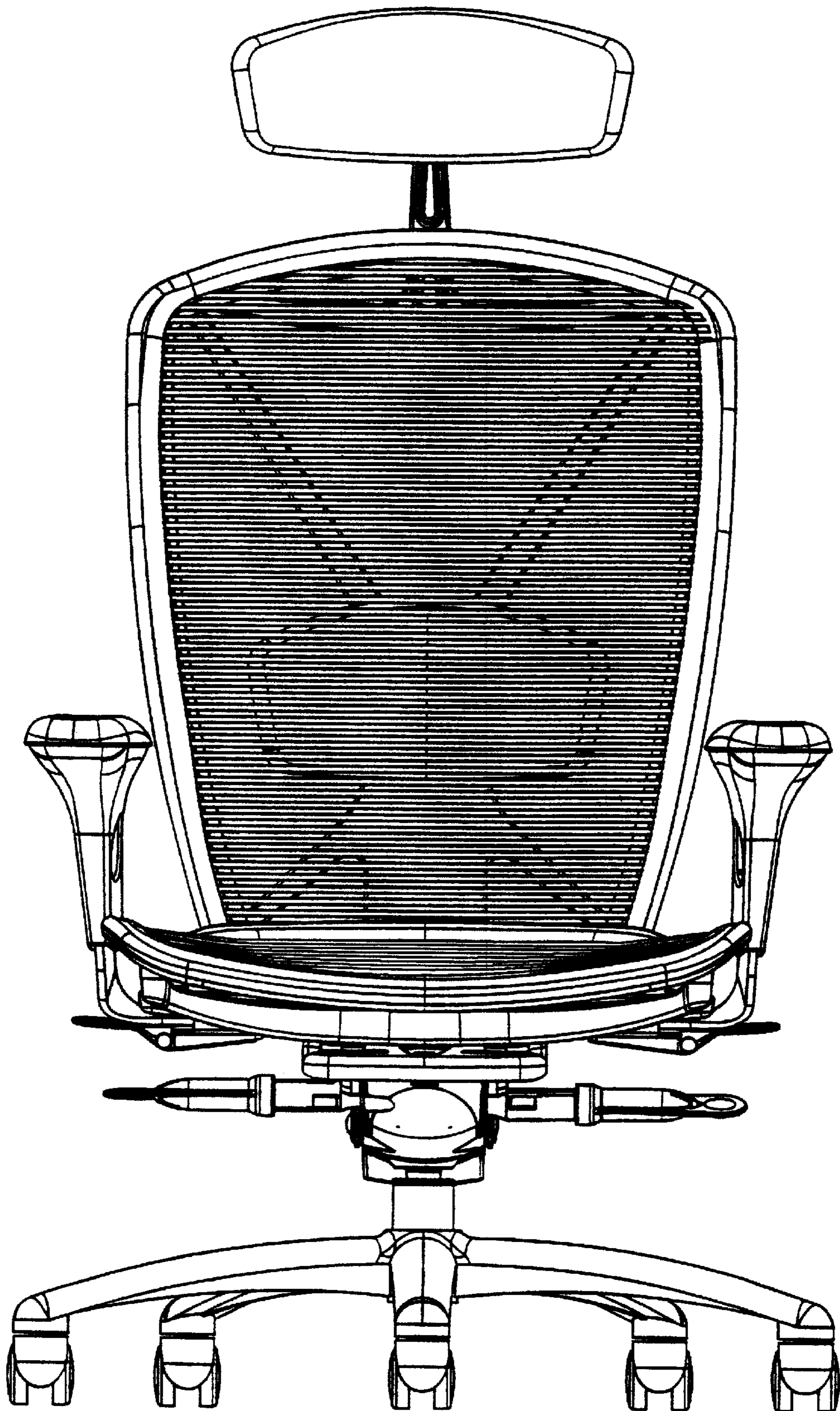


FIG. 3

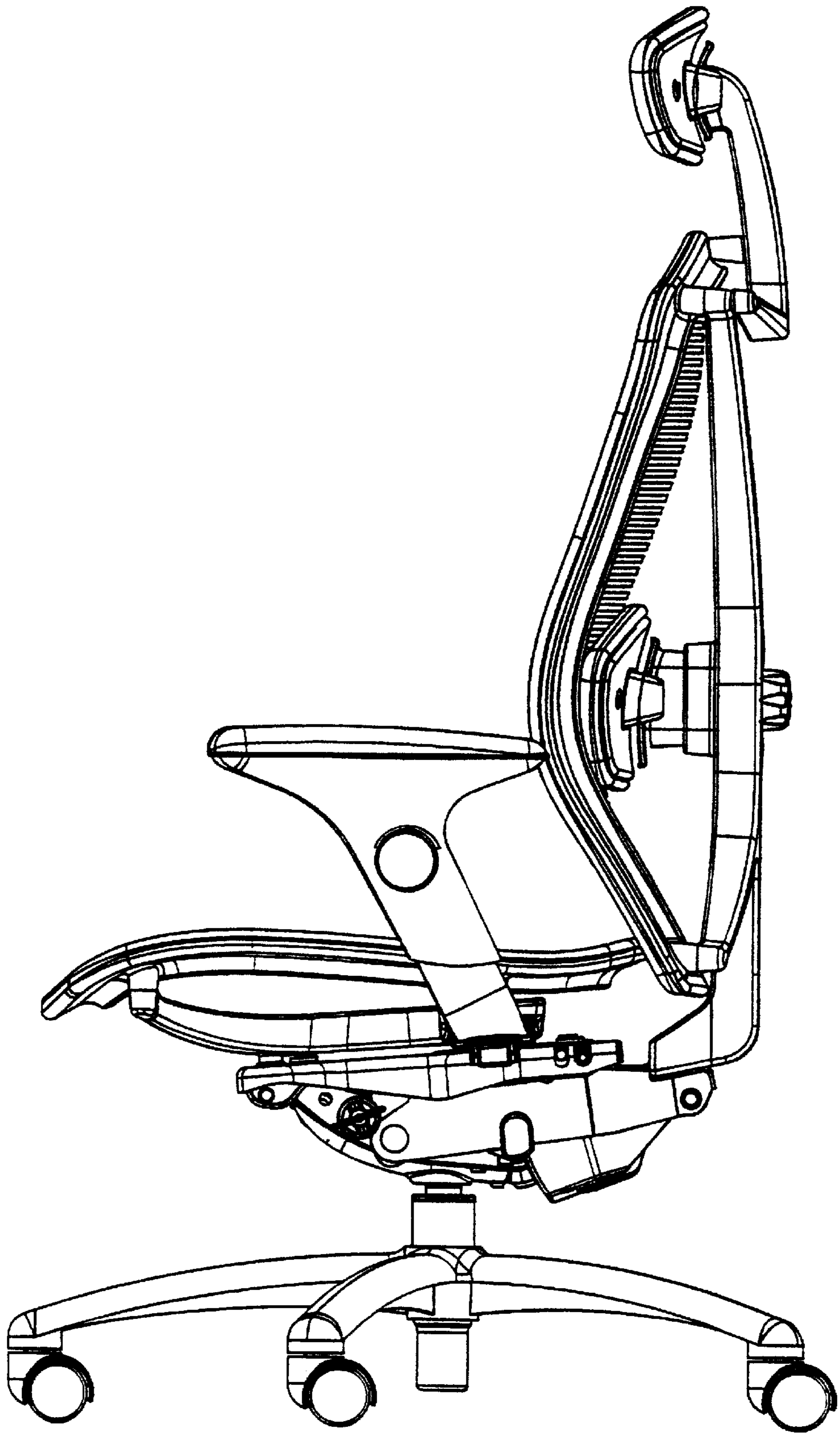


FIG. 4

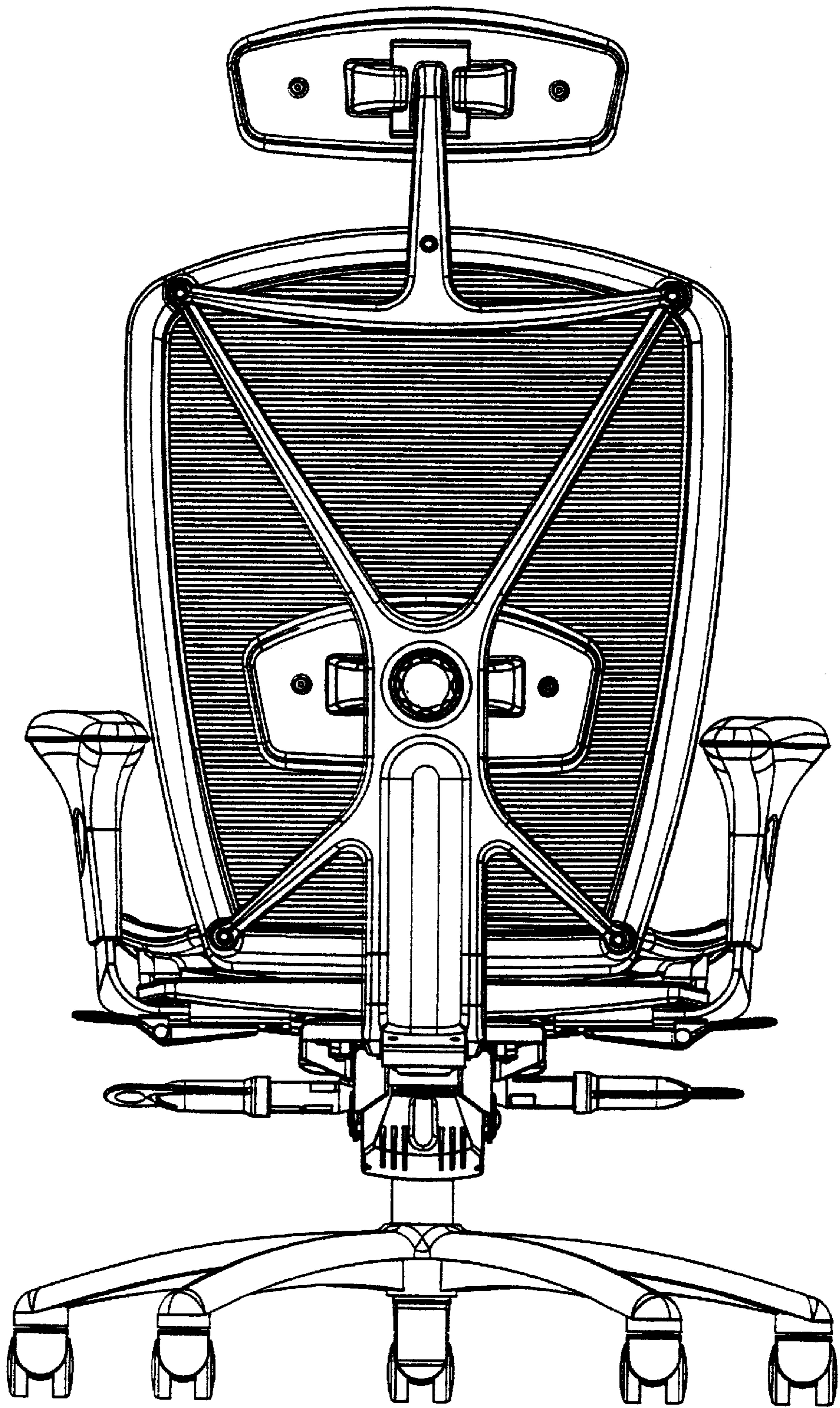


FIG. 5

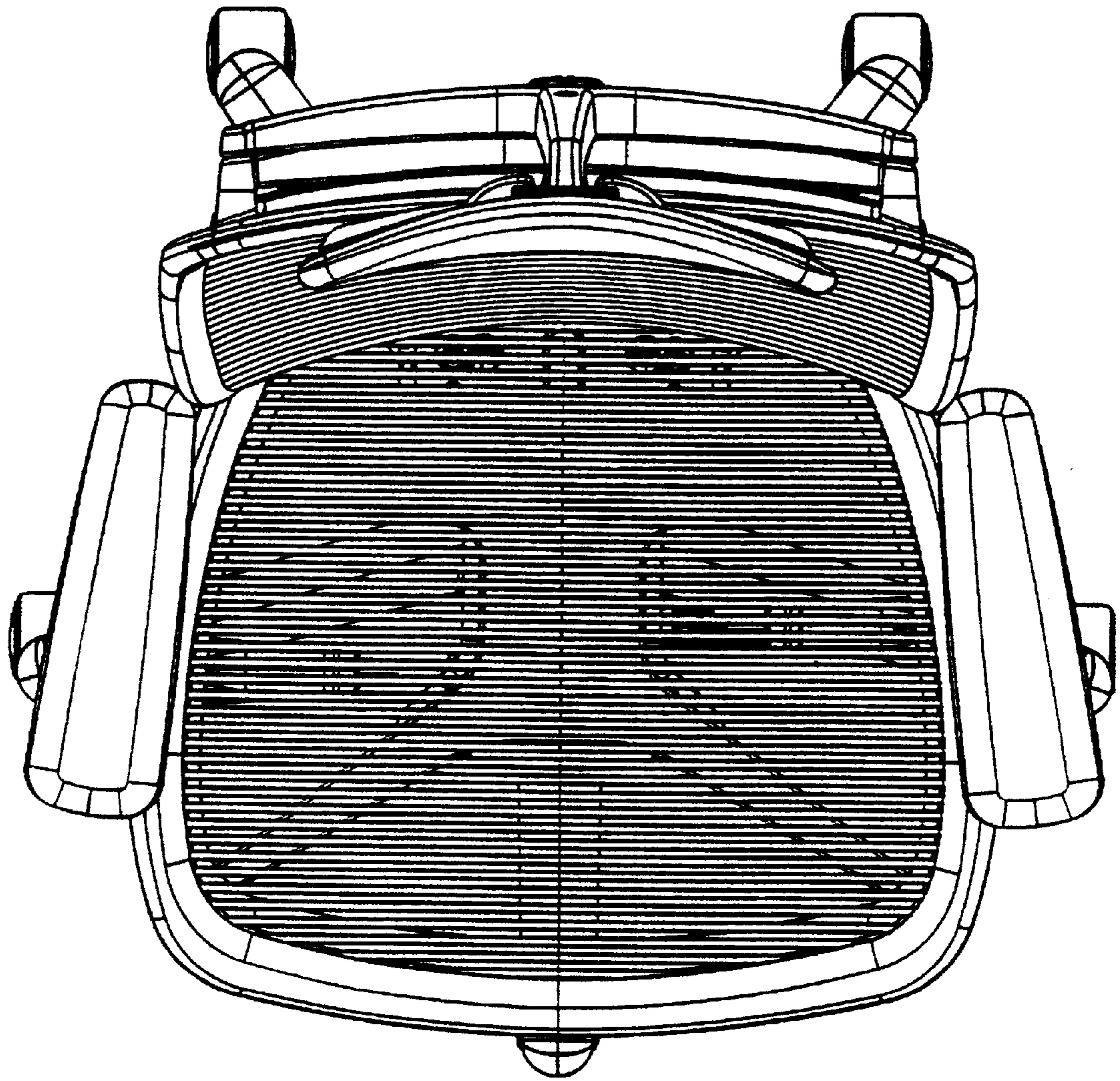


FIG. 6

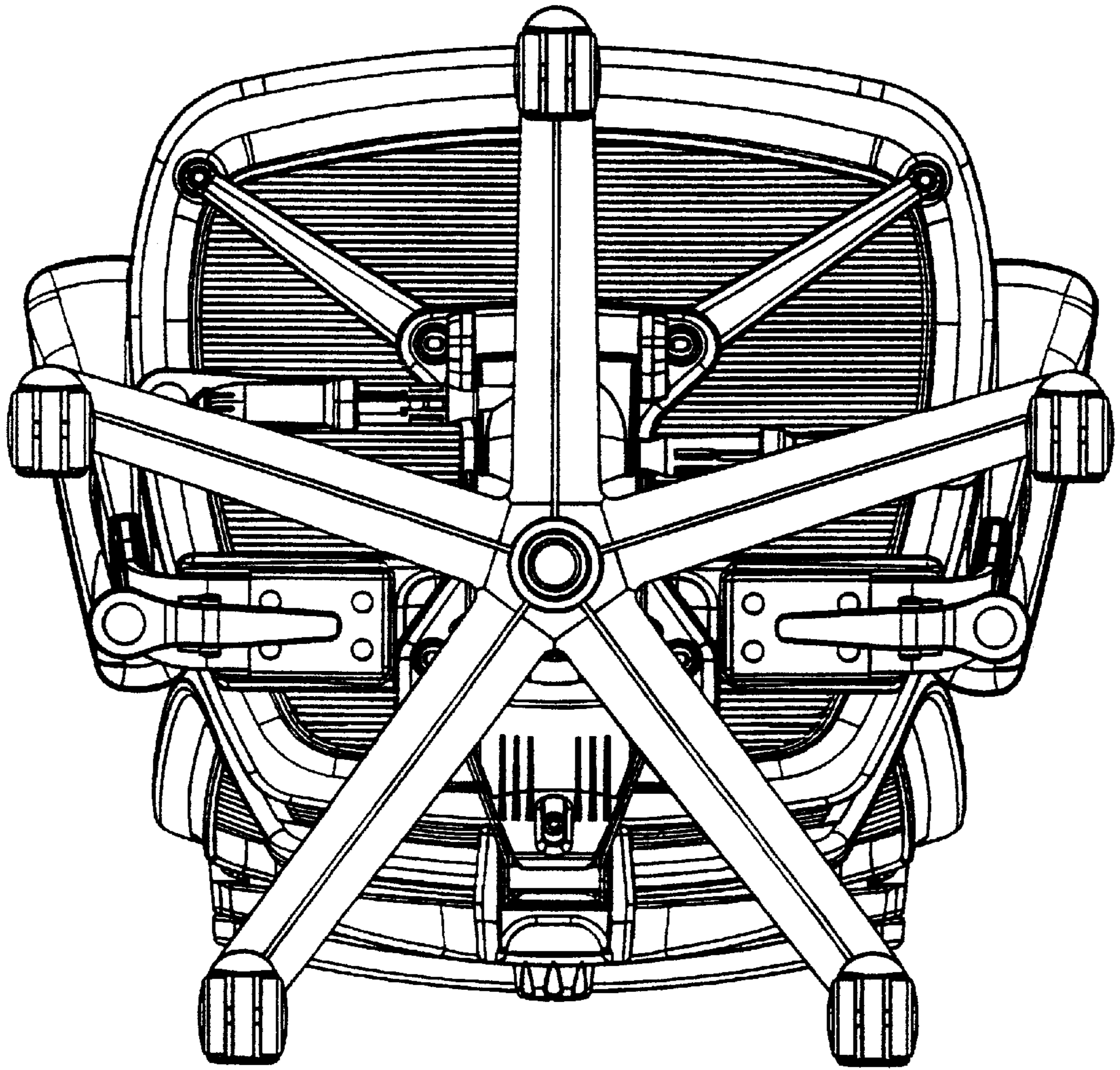


FIG. 7