



US00D436453S

(12) **United States Design Patent**
Gastelum et al.

(10) **Patent No.:** **US D436,453 S**
(45) **Date of Patent:** **** Jan. 23, 2001**

(54) **ROBE HOOK**

(75) Inventors: **Jose Gastelum**, Verona; **Leszek Solowiej**, Montville, both of NJ (US)

(73) Assignee: **Melard Manufacturing Corp.**, Passaic, NJ (US)

(**) Term: **14 Years**

(21) Appl. No.: **29/118,560**

(22) Filed: **Feb. 9, 2000**

(51) **LOC (7) Cl.** **06-08**

(52) **U.S. Cl.** **D6/323; D8/372**

(58) **Field of Search** D6/316, 320, 323, D6/567, 569, 564; D8/367, 372, 350, 352; 248/301, 304, 309.1; 211/87.01, 106.01, 32

(56) **References Cited**

U.S. PATENT DOCUMENTS

D. 267,137 * 12/1982 Mayer D8/367

632,234 * 9/1899 Burgess .

908,320 * 12/1908 Page .

5,984,250 * 11/1999 Connor 248/304

* cited by examiner

Primary Examiner—B. J. Bullock

(74) *Attorney, Agent, or Firm*—Edgar A. Zarins; Lloyd D. Doigan

(57) **CLAIM**

The ornamental design for a robe hook, as shown and described.

DESCRIPTION

FIG. 1 is a perspective view of a robe hook showing our design;

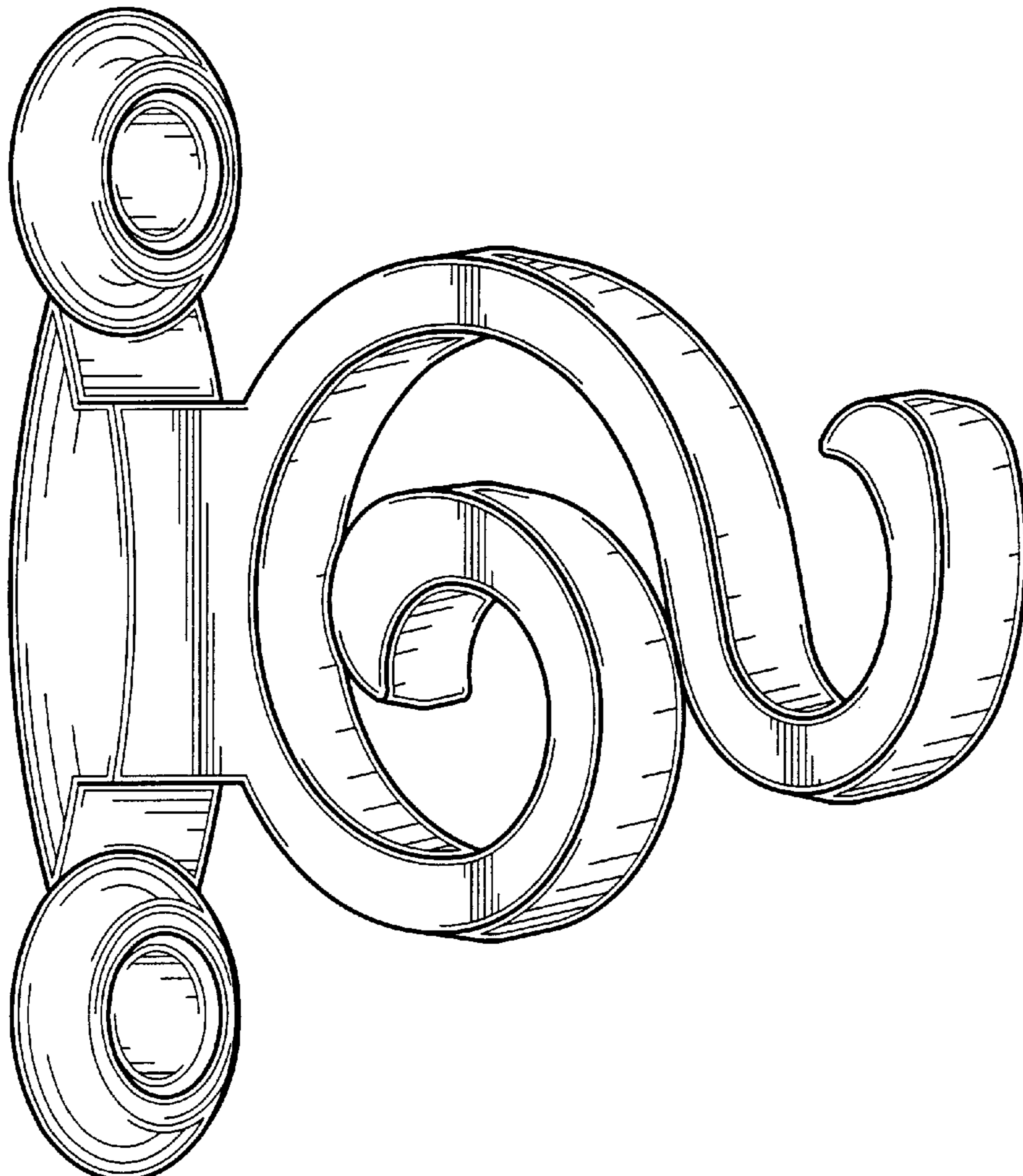
FIG. 2 is a right side view thereof, the opposite side being a mirror image of the side shown;

FIG. 3 is a front elevation thereof;

FIG. 4 is top plan view thereof; and,

FIG. 5 is a bottom plan view thereof.

1 Claim, 2 Drawing Sheets



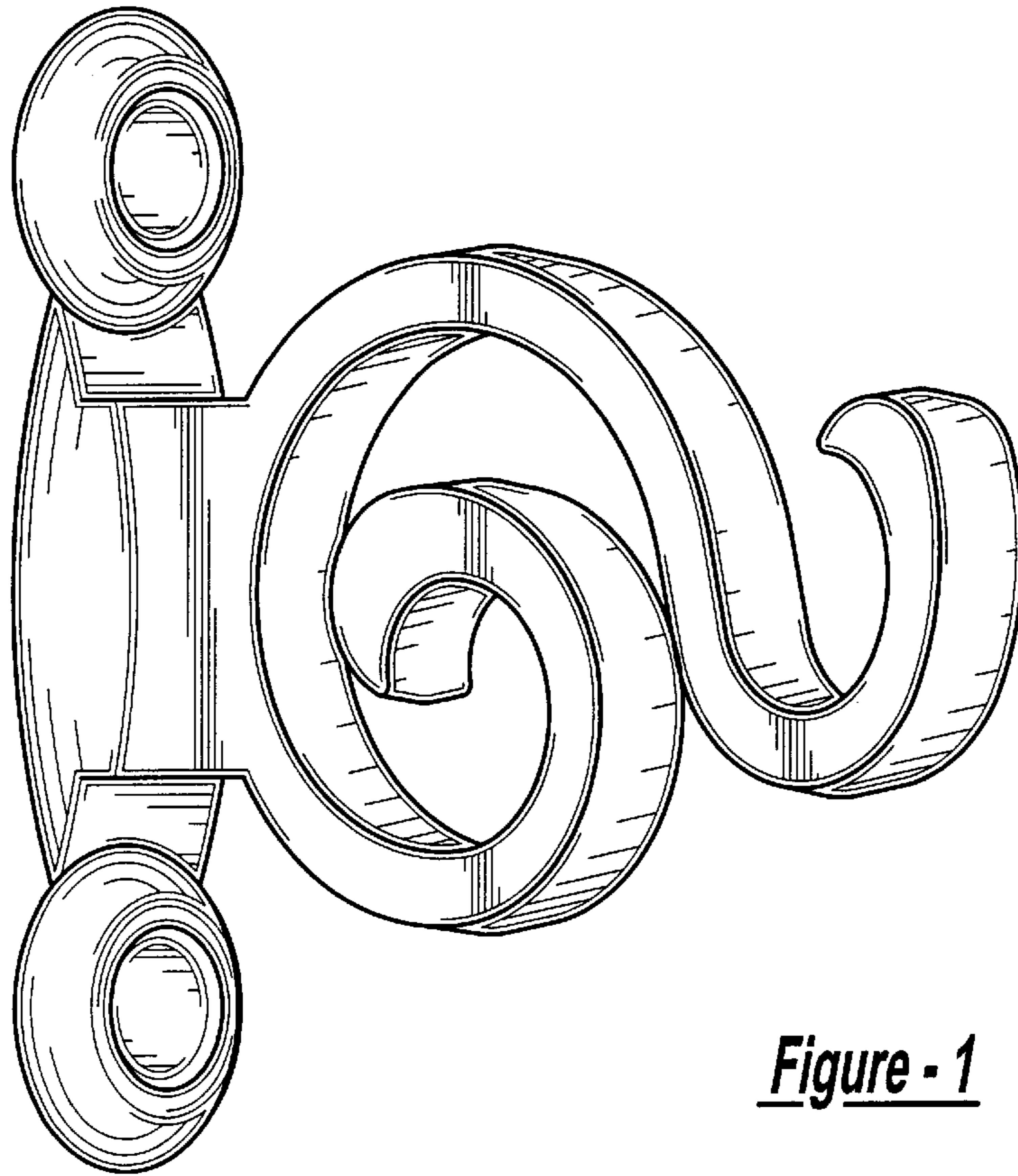


Figure - 1

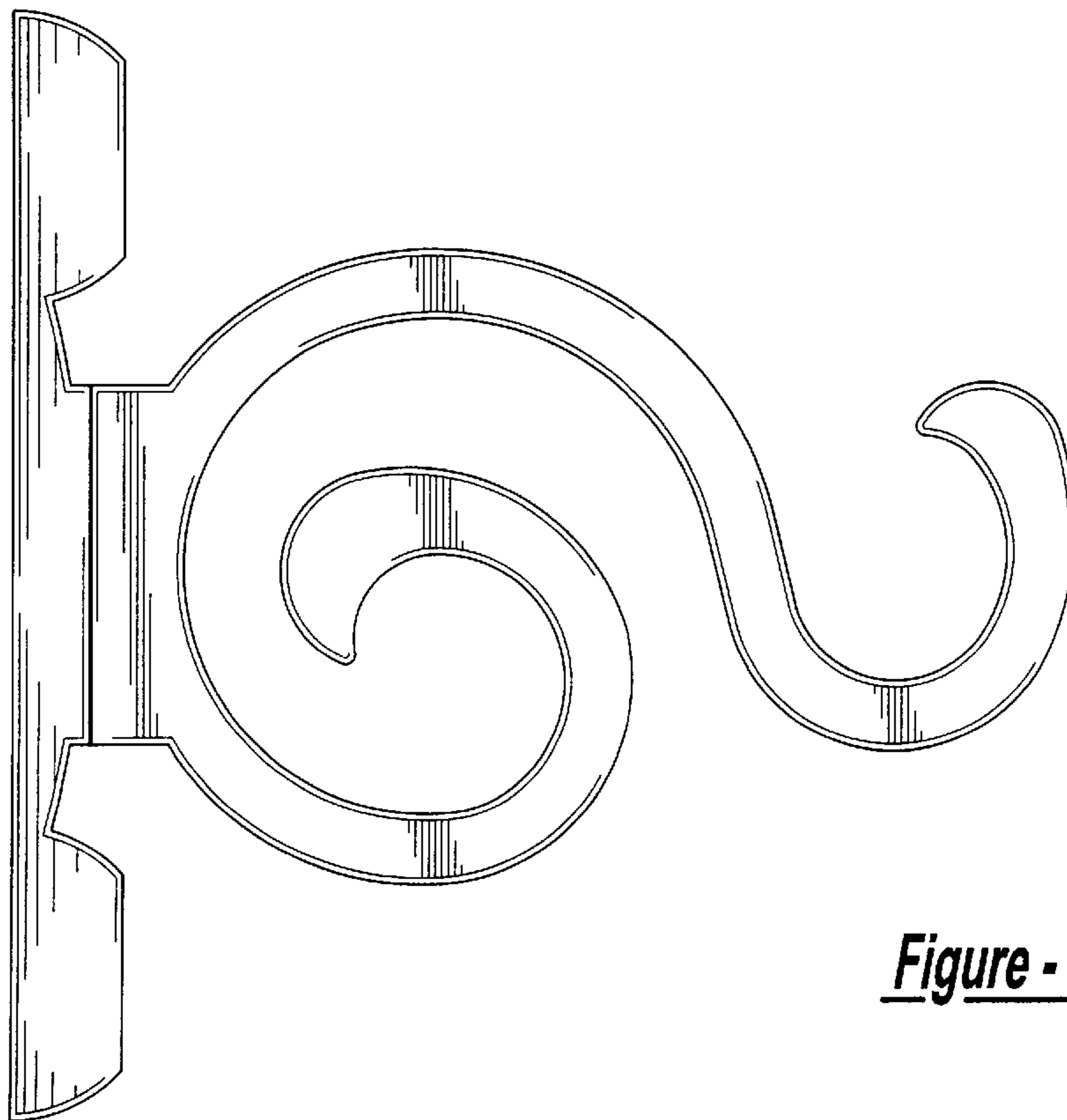


Figure - 2

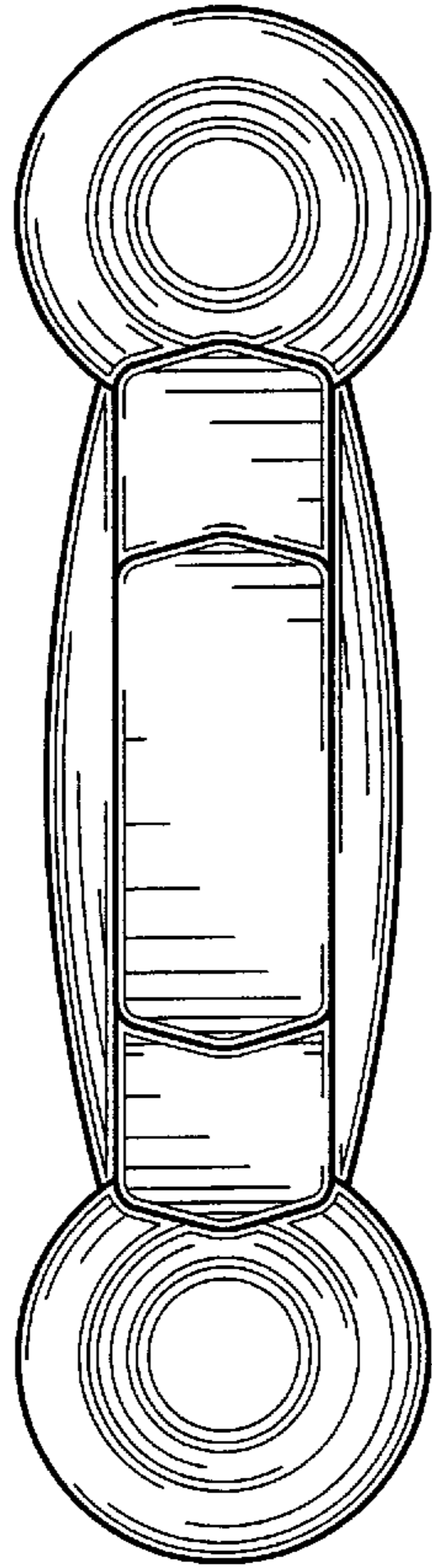


Figure - 3

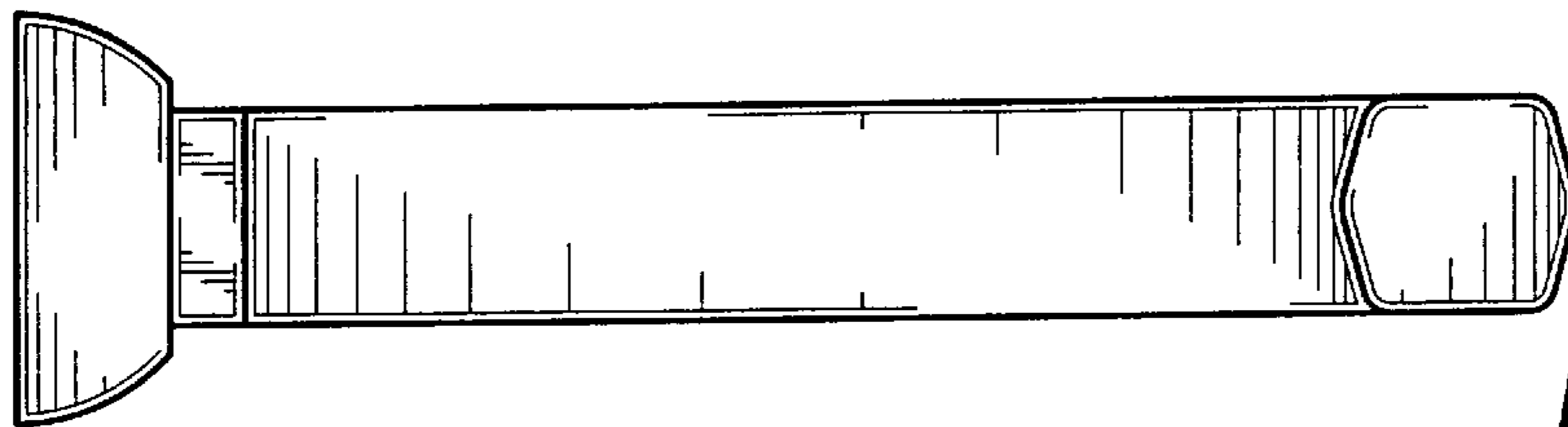


Figure - 4

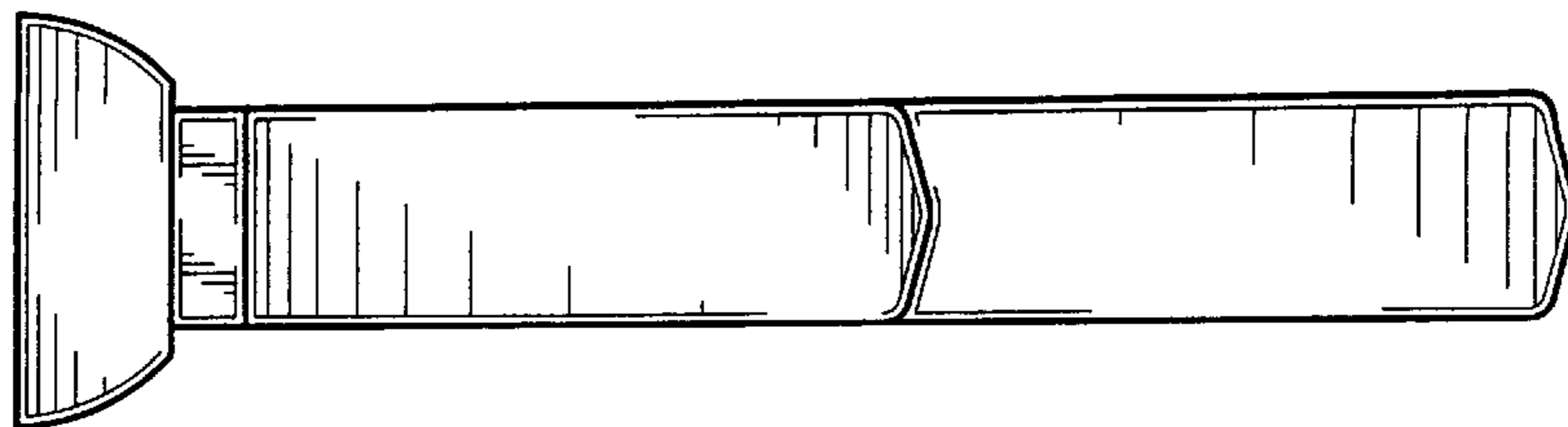


Figure - 5