



US00D436452S

(12) **United States Design Patent**  
**Gastélum et al.**

(10) **Patent No.:** **US D436,452 S**

(45) **Date of Patent:** **\*\* Jan. 23, 2001**

(54) **ROBE HOOK**

(75) Inventors: **José Gastélum**, Verona; **Leszek Solowiej**, Montville, both of NJ (US)

(73) Assignee: **Melard Manufacturing Corp.**, Passaic, NJ (US)

(\*\*) Term: **14 Years**

(21) Appl. No.: **29/117,827**

(22) Filed: **Jan. 31, 2000**

(51) **LOC (7) Cl.** ..... **06-08**

(52) **U.S. Cl.** ..... **D6/323; D8/367**

(58) **Field of Search** ..... D6/316, 320, 323, D6/567, 569, 564; D8/367, 372, 350, 352; 248/301, 304, 309.1; 211/87.01, 106.01, 32

(56) **References Cited**

**U.S. PATENT DOCUMENTS**

D. 131,503 \* 3/1942 Dreyfuss .

D. 181,255 \* 10/1957 Hillgren .

D. 328,417 \* 8/1992 Karpijaakko ..... D6/323

D. 417,385 \* 12/1999 Brics et al. .... D8/367

\* cited by examiner

*Primary Examiner*—B. J. Bullock

(74) *Attorney, Agent, or Firm*—Edgar A. Zarins; Lloyd D. Doigan

(57) **CLAIM**

The ornamental design for a robe hook, as shown and described.

**DESCRIPTION**

FIG. 1 is a perspective view of a robe hook showing our design;

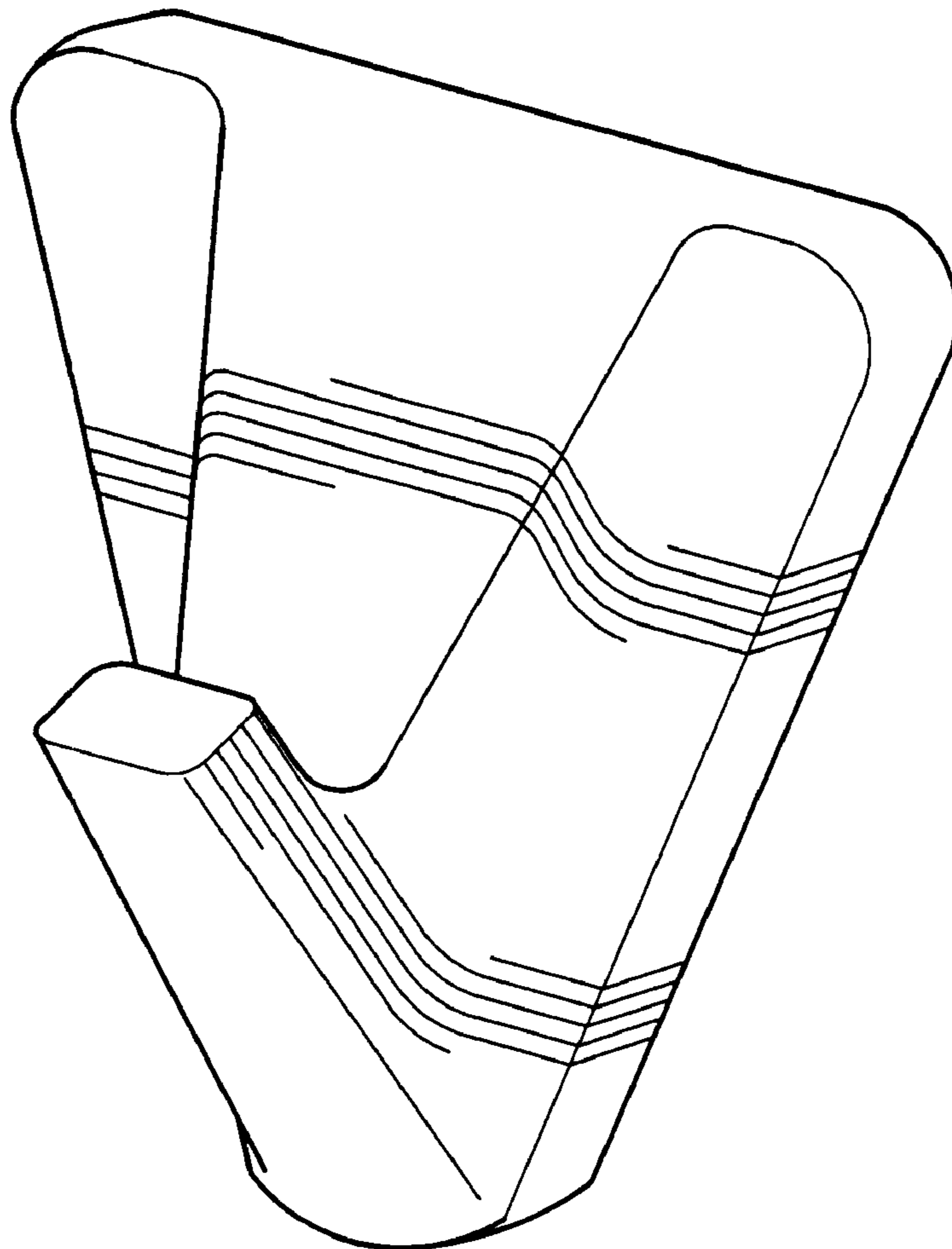
FIG. 2 is a front elevation view thereof;

FIG. 3 is a left side view thereof, the opposite side being a mirror image of the side shown; and

FIG. 4 is a top plan view thereof; and,

FIG. 5 is a bottom plan view thereof.

**1 Claim, 2 Drawing Sheets**



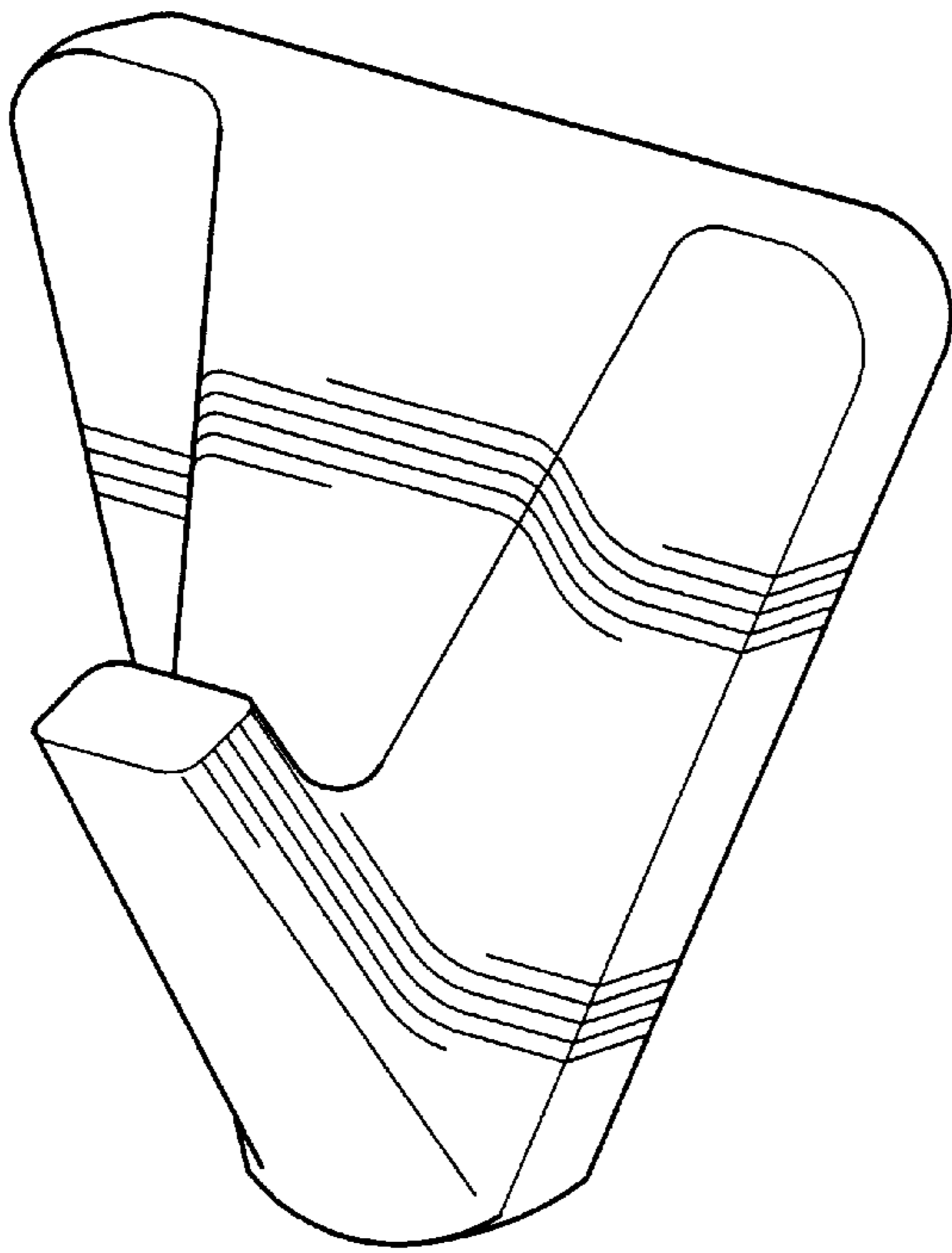


Figure - 1

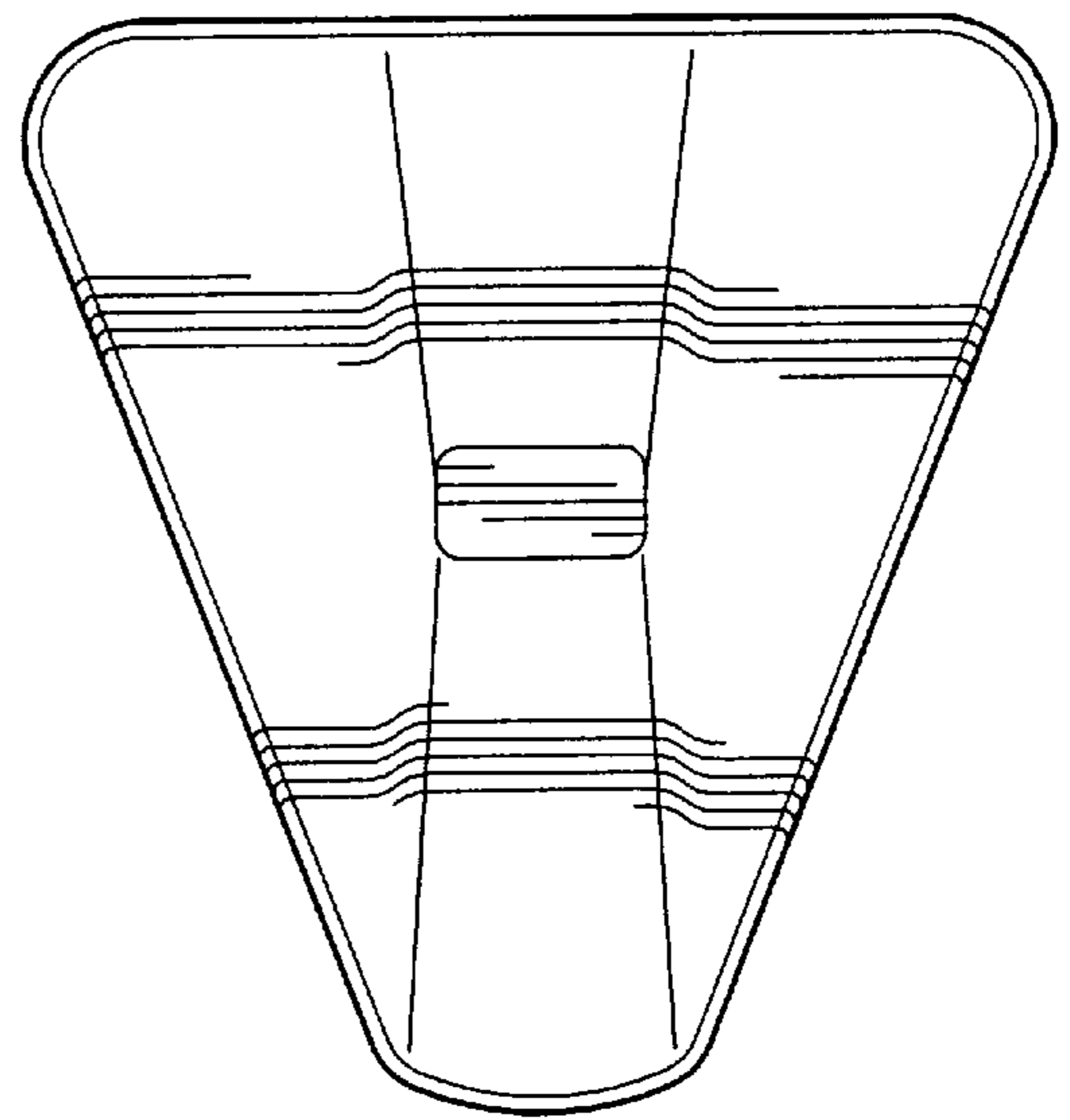


Figure - 2

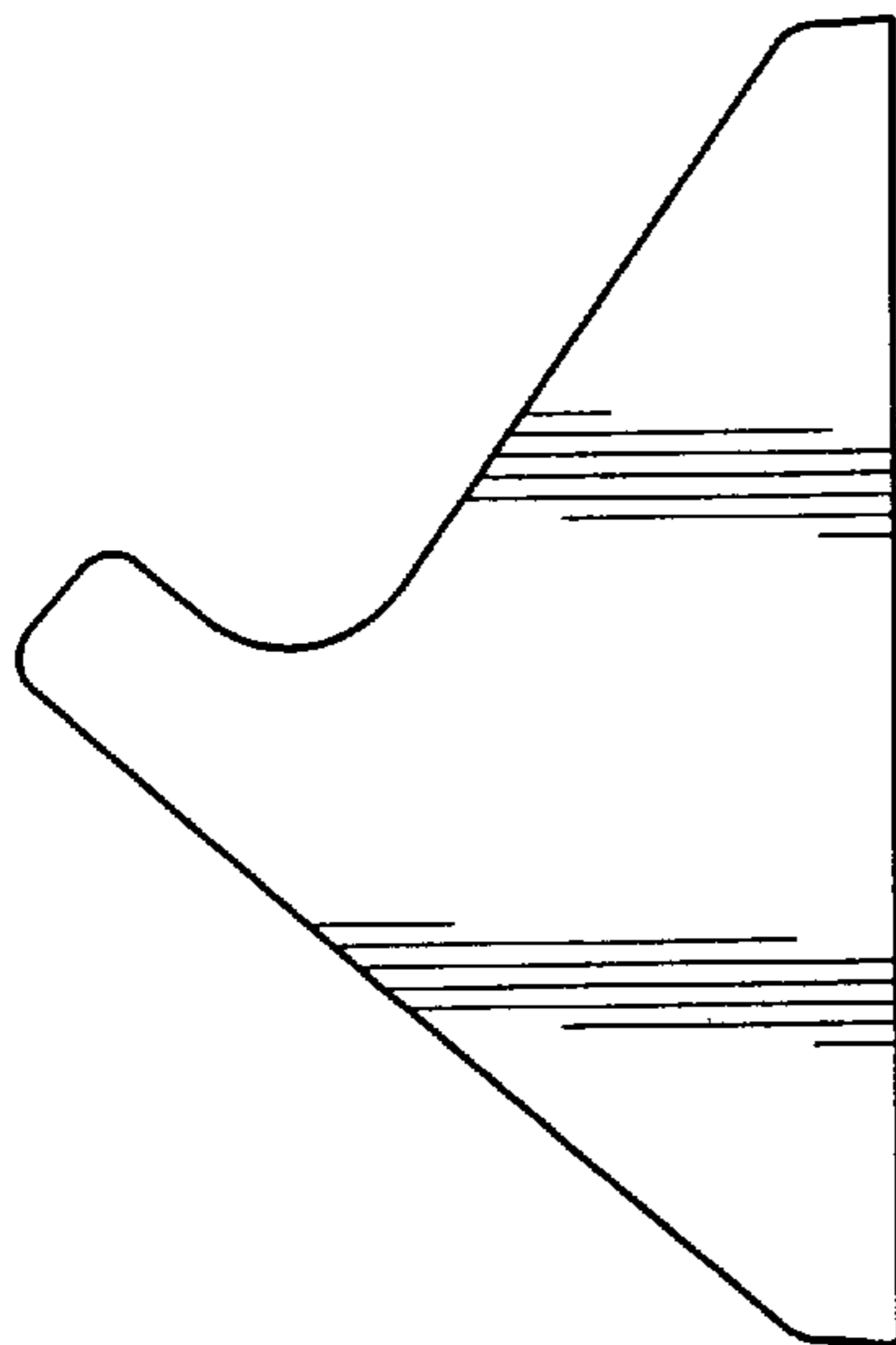


Figure - 3

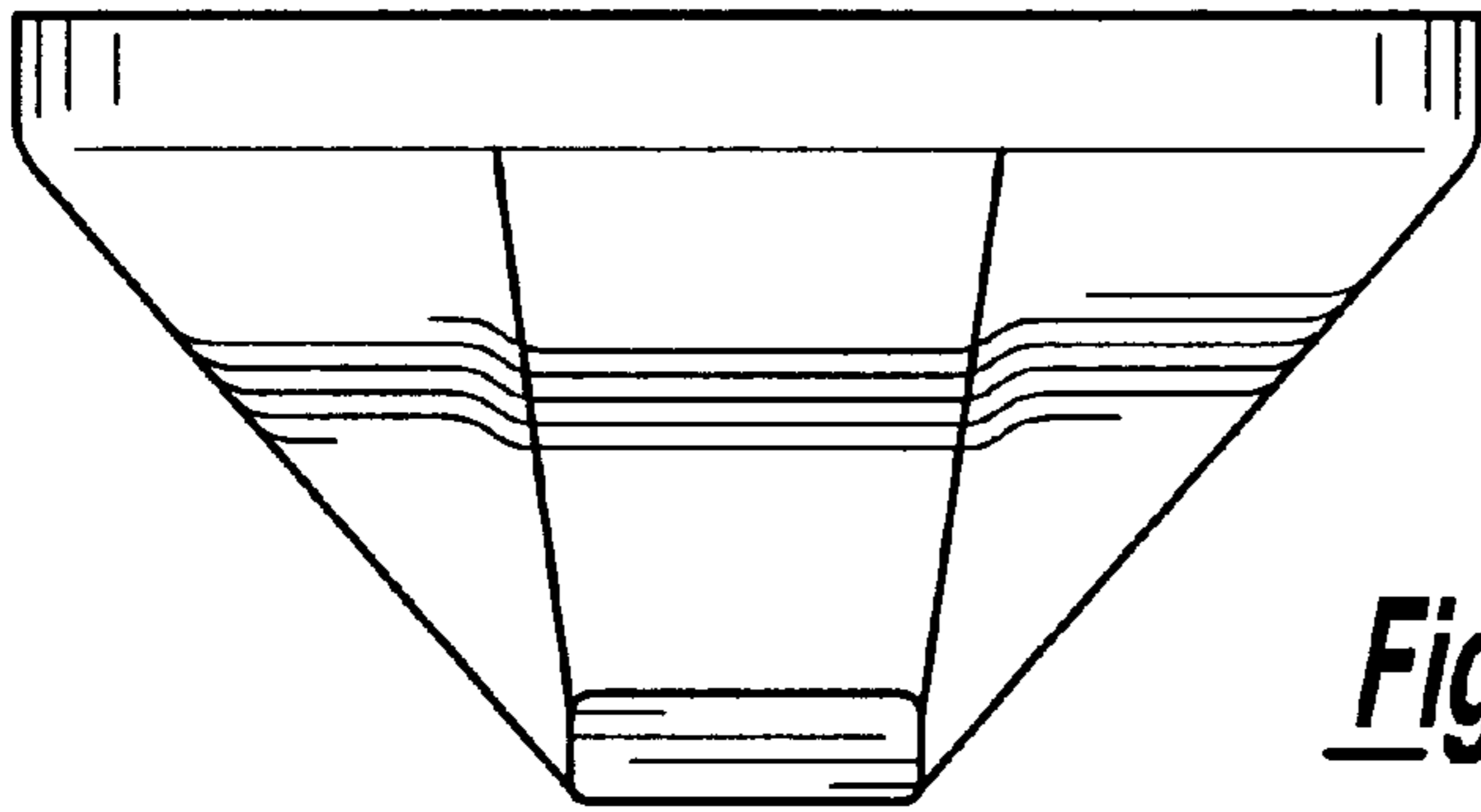


Figure - 4

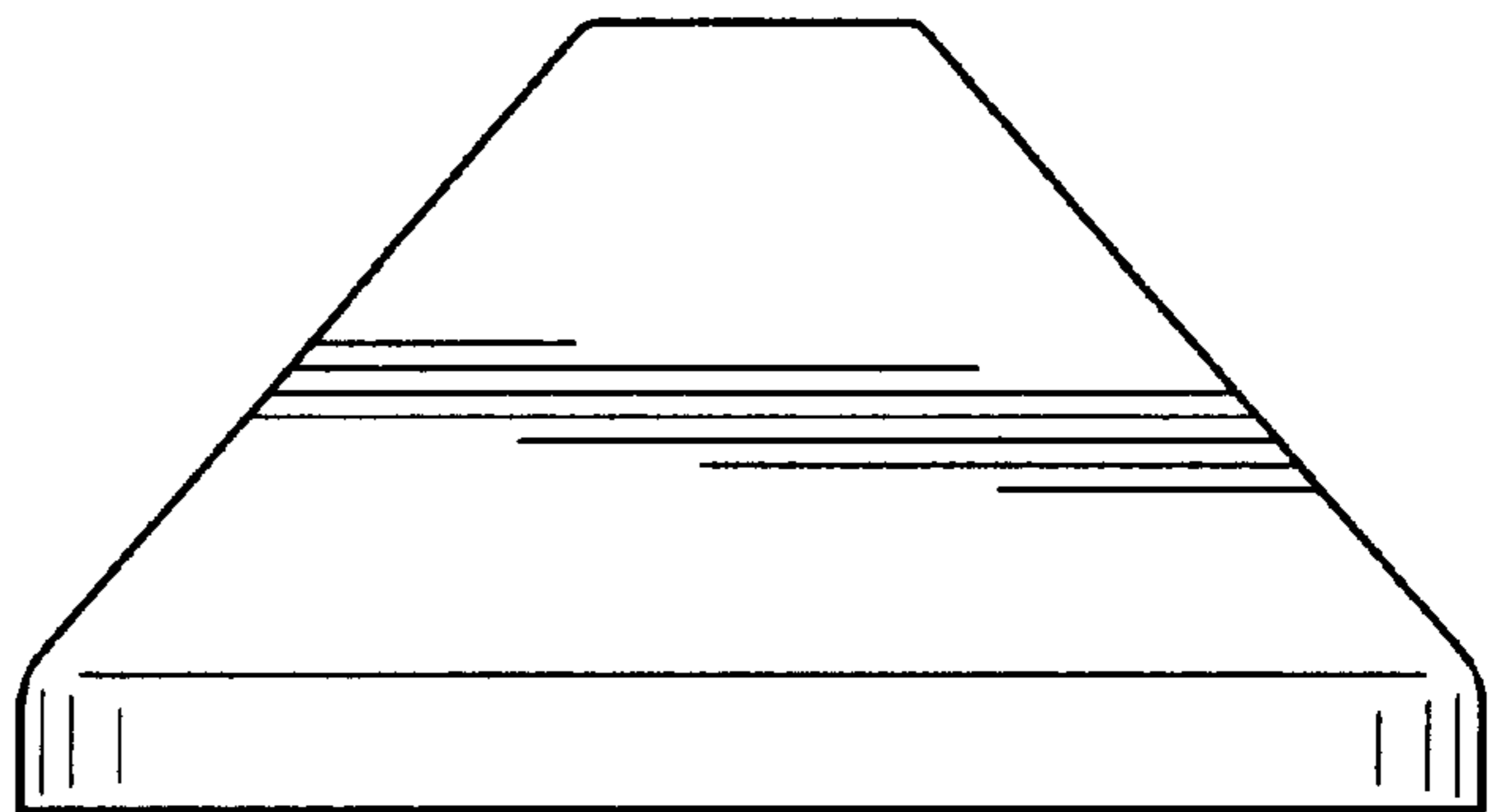


Figure - 5