



US00D436445S

(12) **United States Design Patent**
Goins

(10) **Patent No.:** **US D436,445 S**

(45) **Date of Patent:** **** Jan. 23, 2001**

(54) **BAG CARRIER**

(76) Inventor: **Anthony Eric Goins**, 268 Acacia St.,
Altadena, CA (US) 91001

(**) Term: **14 Years**

(21) Appl. No.: **29/106,731**

(22) Filed: **Jun. 21, 1999**

(51) **LOC (7) Cl.** **03-01**

(52) **U.S. Cl.** **D3/315**

(58) **Field of Search** D3/315, 328; D6/328,
D6/315, 316-319; 294/137, 142, 149, 15,
25, 26; 224/557; 223/98, DIG. 1; 248/914;
D9/434

(56) **References Cited**

U.S. PATENT DOCUMENTS

- D. 182,259 * 3/1958 Tupper D6/315
- D. 271,848 * 12/1983 Tcherneshoff D6/315 X
- D. 278,291 * 4/1985 Gurule D6/328
- D. 318,789 * 8/1991 Oltrogge et al. D3/328 X
- D. 362,386 * 9/1995 Blocker D9/434
- D. 378,167 * 2/1997 Jones, Jr. D6/317
- D. 394,351 * 5/1998 Henderson D3/328

- D. 399,422 * 10/1998 Marley et al. D9/434
- 4,023,762 * 5/1977 Batts et al. 248/914

* cited by examiner

Primary Examiner—Louis S. Zarfes

Assistant Examiner—Catherine R. Oliver

(74) *Attorney, Agent, or Firm*—James E. Brunton

(57) **CLAIM**

The ornamental design for “bag carrier”, as shown.

DESCRIPTION

FIG. 1 is a perspective view of a bag carrier showing my new design;

FIG. 2 is a side elevational view thereof;

FIG. 3 is a right end view thereof;

FIG. 4 is a left end view thereof;

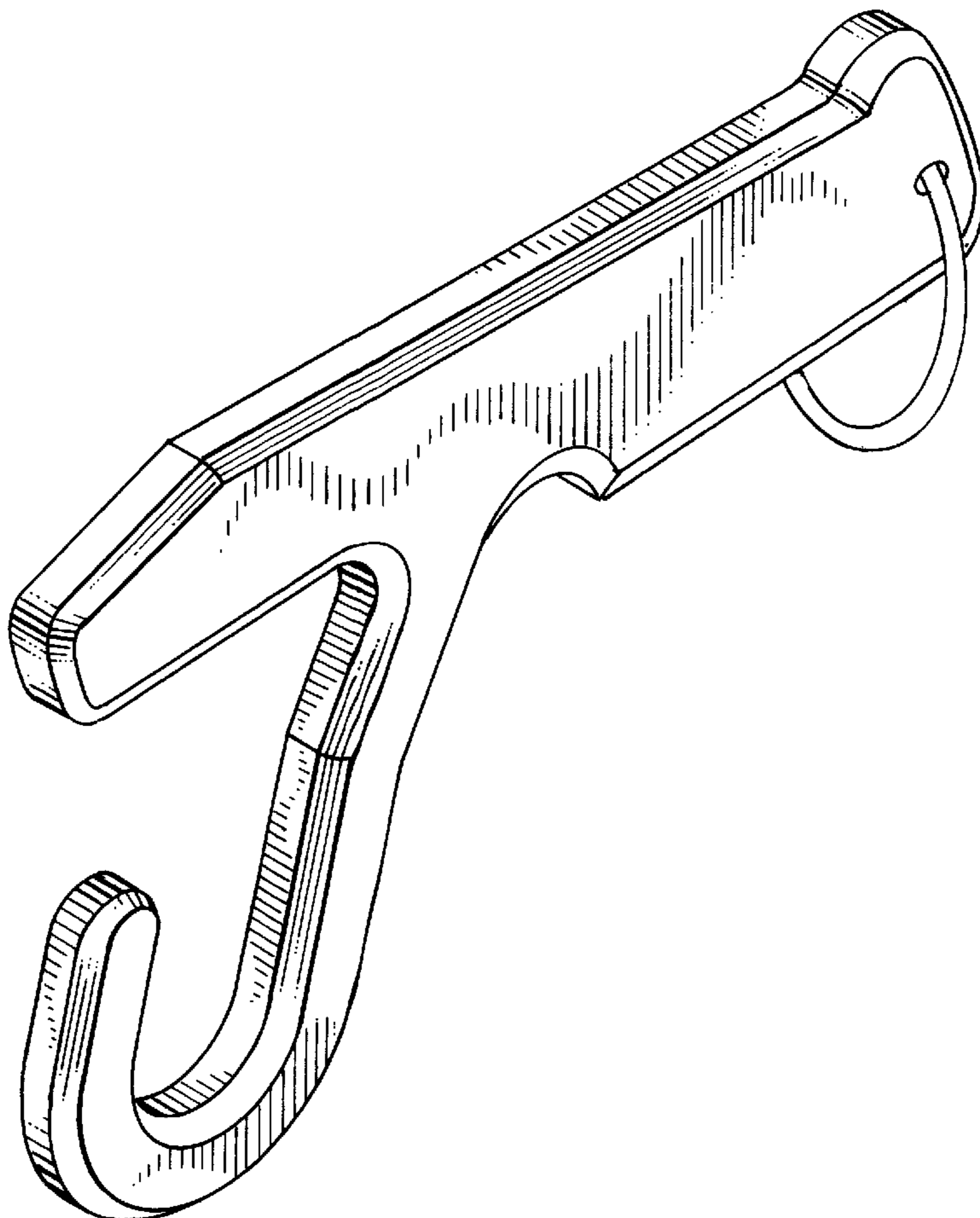
FIG. 5 is a top plan view thereof;

FIG. 6 is a bottom plan view thereof;

FIG. 7 is a cross-sectional view taken along lines 7—7 of FIG. 2; and,

FIG. 8 is a cross-sectional view taken along lines 8—8 of FIG. 2.

1 Claim, 2 Drawing Sheets



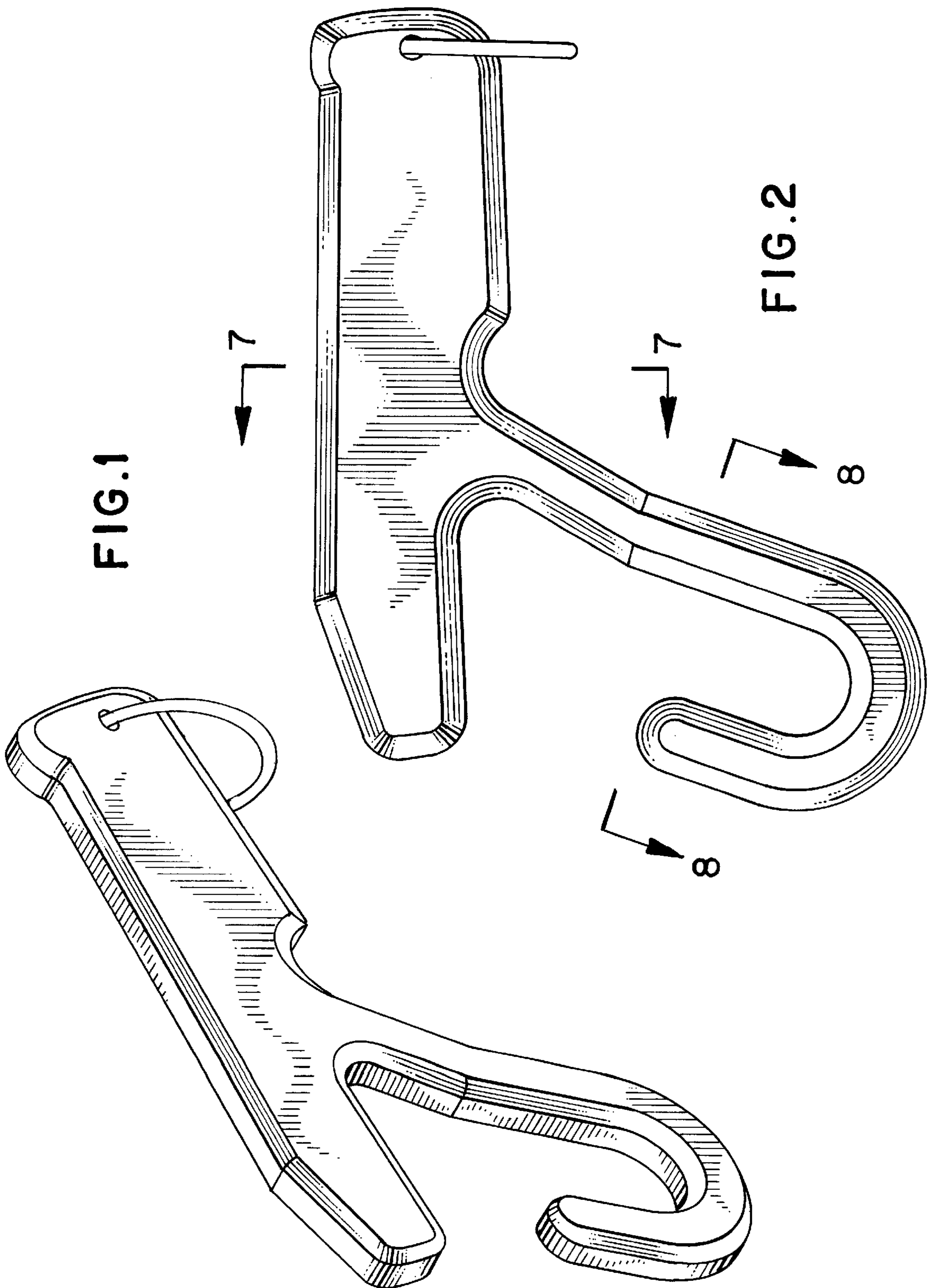


FIG.1

FIG.2

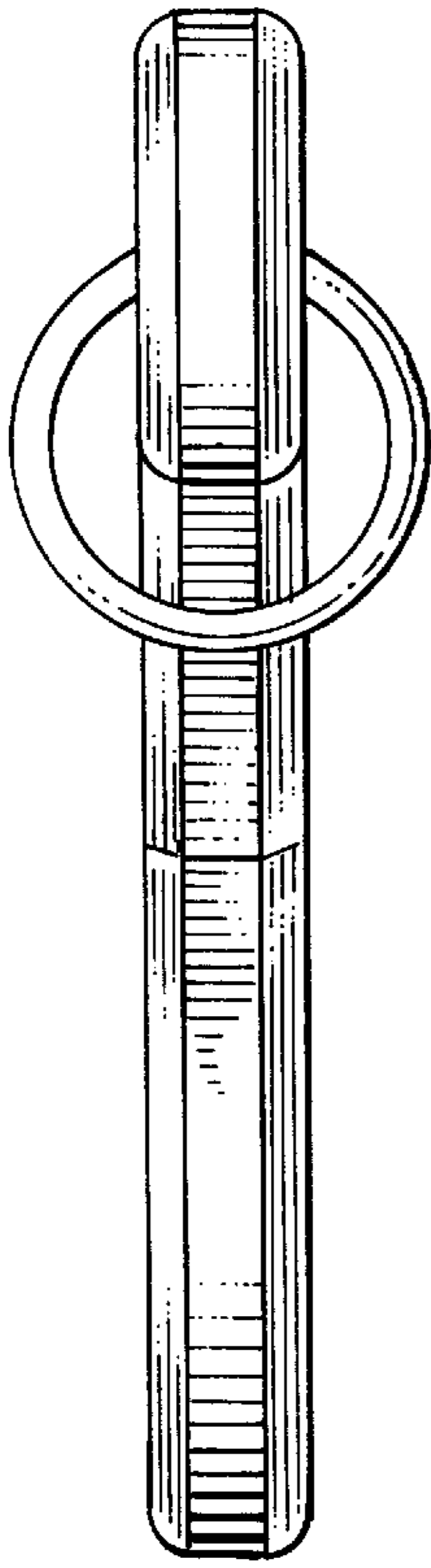


FIG. 3

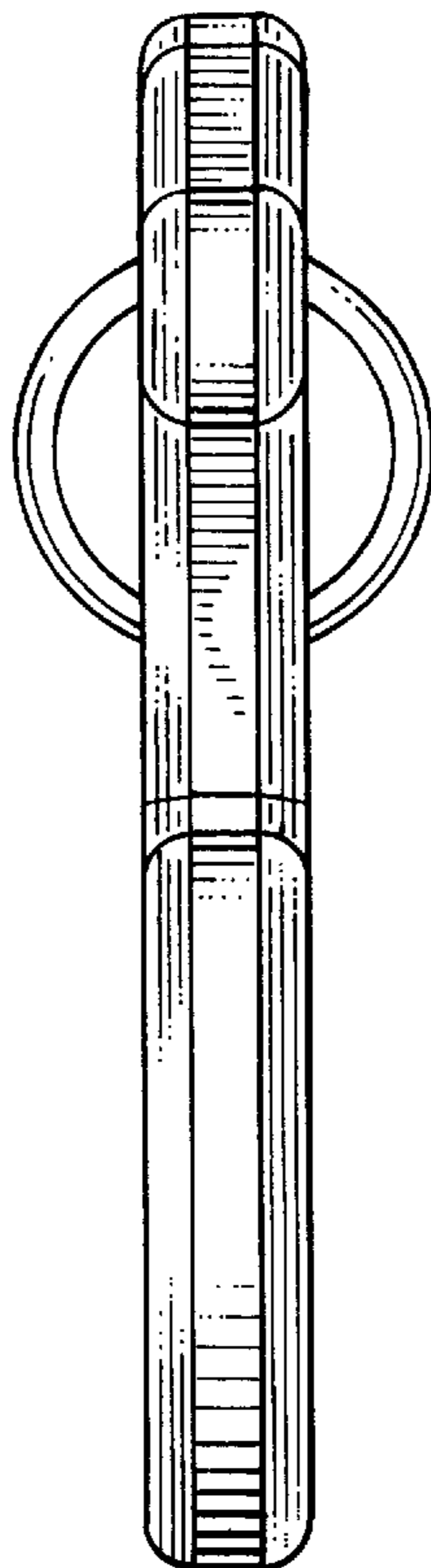


FIG. 4

FIG. 7

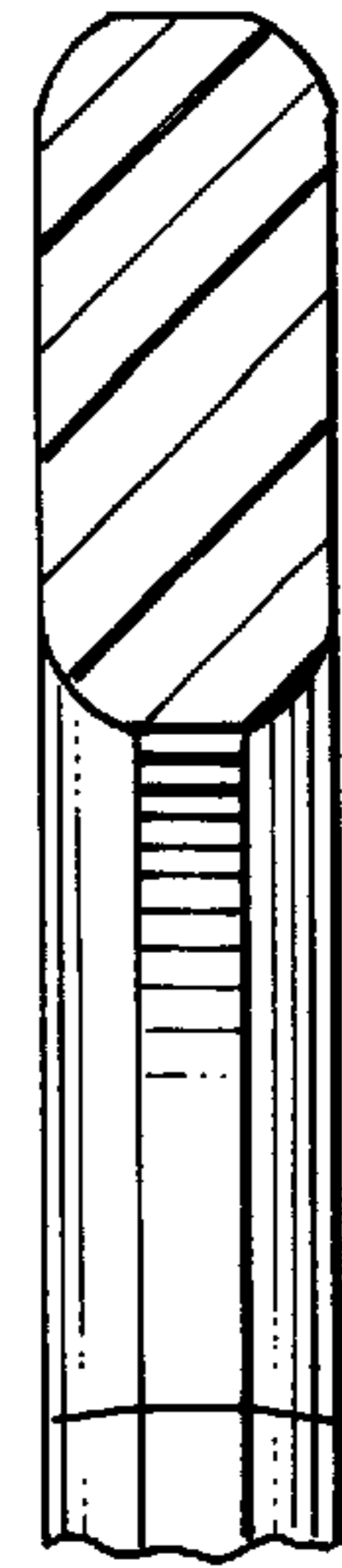


FIG. 8

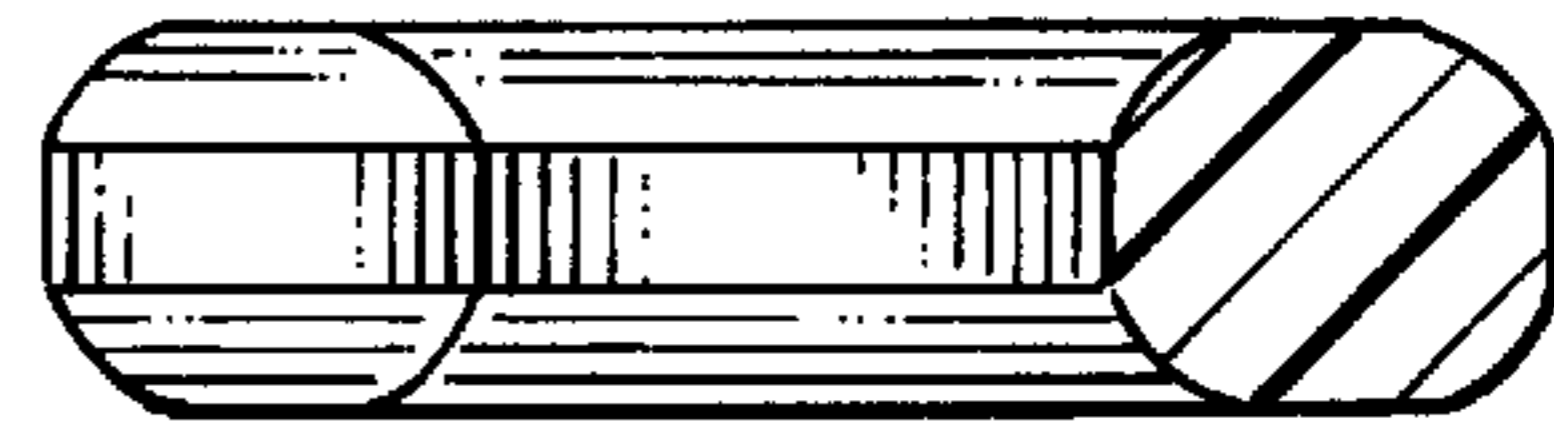


FIG. 5



FIG. 6

