



US00D436439S

(12) **United States Design Patent**
Dennesen et al.

(10) **Patent No.:** **US D436,439 S**

(45) **Date of Patent:** **** Jan. 23, 2001**

(54) **GOLF TRAVEL CASE**

Competitive Edge Golf, Golf Guard Hard-Shell Travel Protection, 1998, p. 30.*

(75) Inventors: **James Dennesen**, Salem, NH (US);
Kenneth Liao, San Jose, CA (US)

* cited by examiner

(73) Assignee: **Dennco, Inc.**, Salem, NH (US)

Primary Examiner—Louis S. Zarfaz

Assistant Examiner—Catherine R. Oliver

(**) Term: **14 Years**

(74) *Attorney, Agent, or Firm*—Choate, Hall & Stewart

(21) Appl. No.: **29/108,167**

(57) **CLAIM**

(22) Filed: **Jul. 21, 1999**

The ornamental design for a golf travel case, substantially as shown.

(51) **LOC (7) Cl.** **03-01**

(52) **U.S. Cl.** **D3/255**

(58) **Field of Search** D3/255, 254, 204,
D3/262, 261, 272, 273, 276, 279, 281,
282; 206/315.1-315.8

DESCRIPTION

(56) **References Cited**

FIG. 1 is a plan view of a golf travel case according to the present invention;

FIG. 2 is a front view of the golf travel case with its handle extended;

FIG. 3 is an end view of the golf travel case with its handle extended;

FIG. 4 is another end view of the golf travel case with its handle extended;

FIG. 5 is a back view of the golf travel case with its handle extended;

FIG. 6 is a bottom view of the golf travel case; and,

FIG. 7 is a side view of the golf travel case.

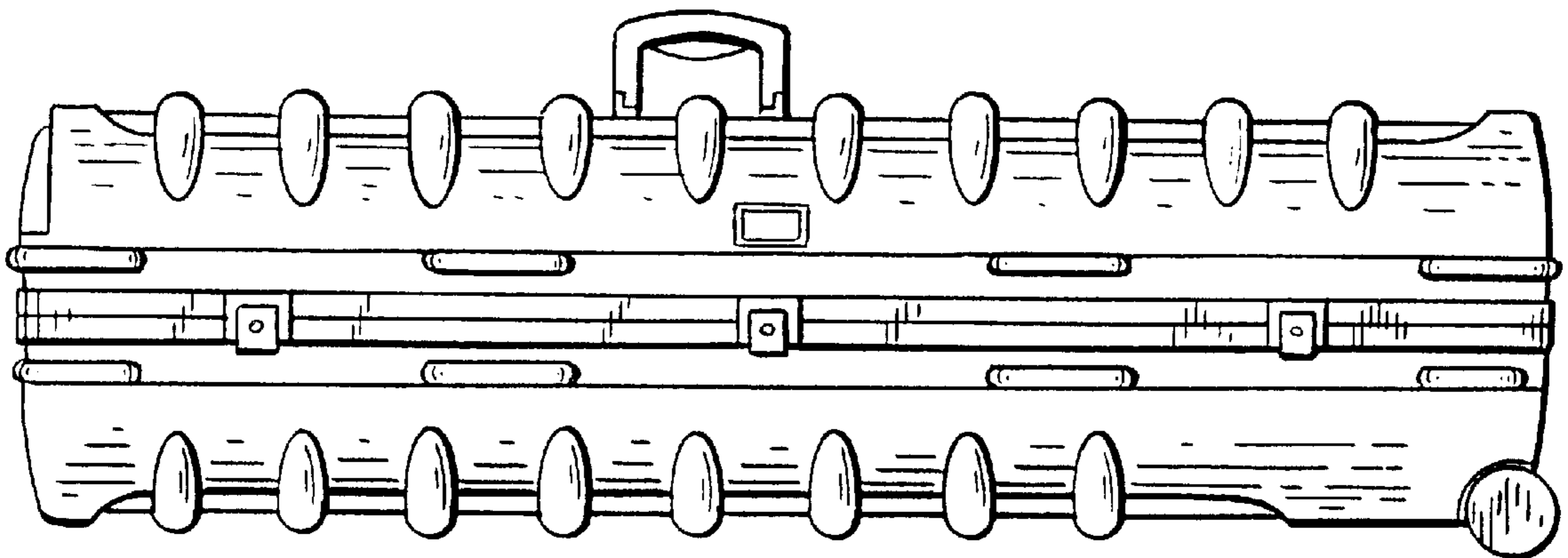
U.S. PATENT DOCUMENTS

D. 265,146	*	6/1982	Rake et al.	D3/204
D. 385,418	*	10/1997	Bisson	D3/255
D. 394,950	*	6/1998	Kite	D3/255
D. 411,662	*	6/1999	Carter	D3/279
D. 416,678	*	11/1999	Kurtz et al.	D3/255
D. 417,781	*	12/1999	Stäheli	D3/282

OTHER PUBLICATIONS

Edwin Watts Golf Shops, Travel Cases & Covers, p. 56, 1997.*

1 Claim, 2 Drawing Sheets



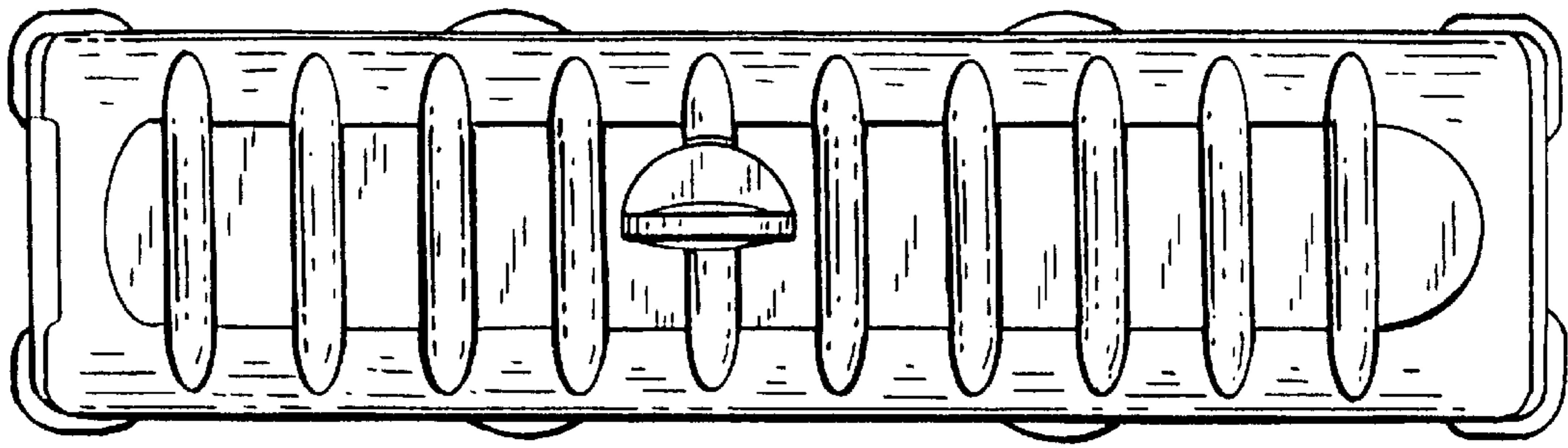


FIG. 1

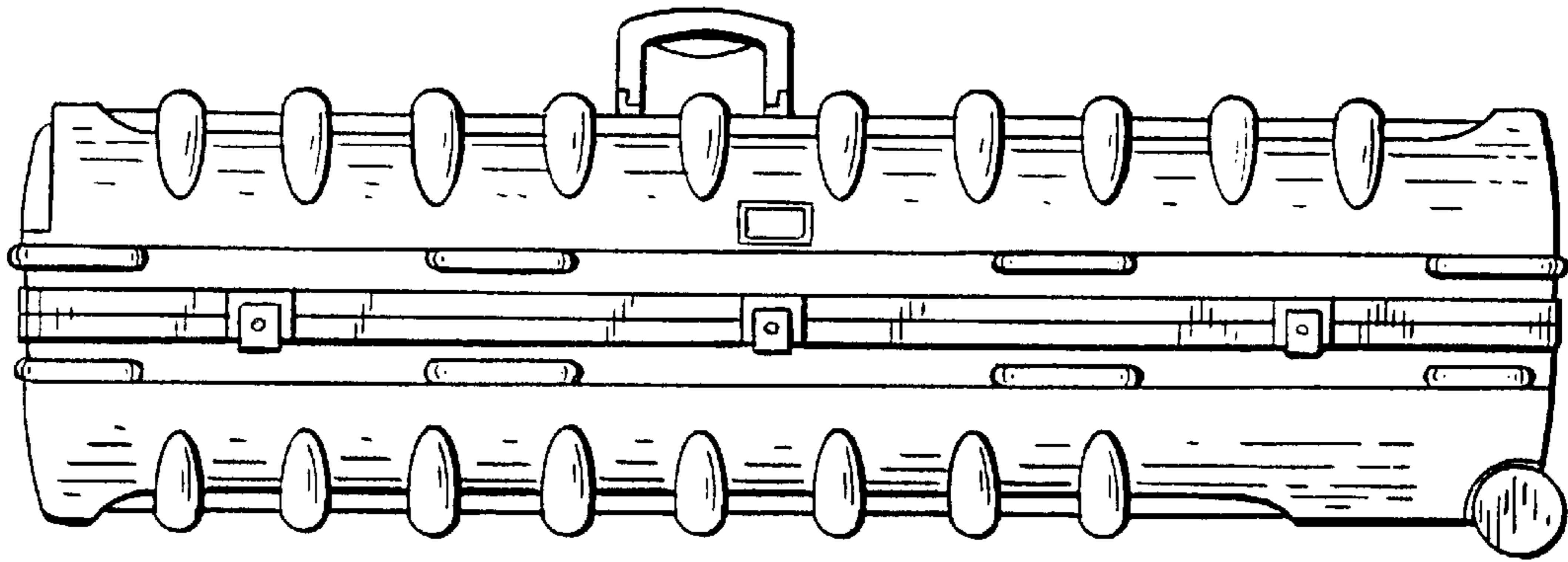


FIG. 2

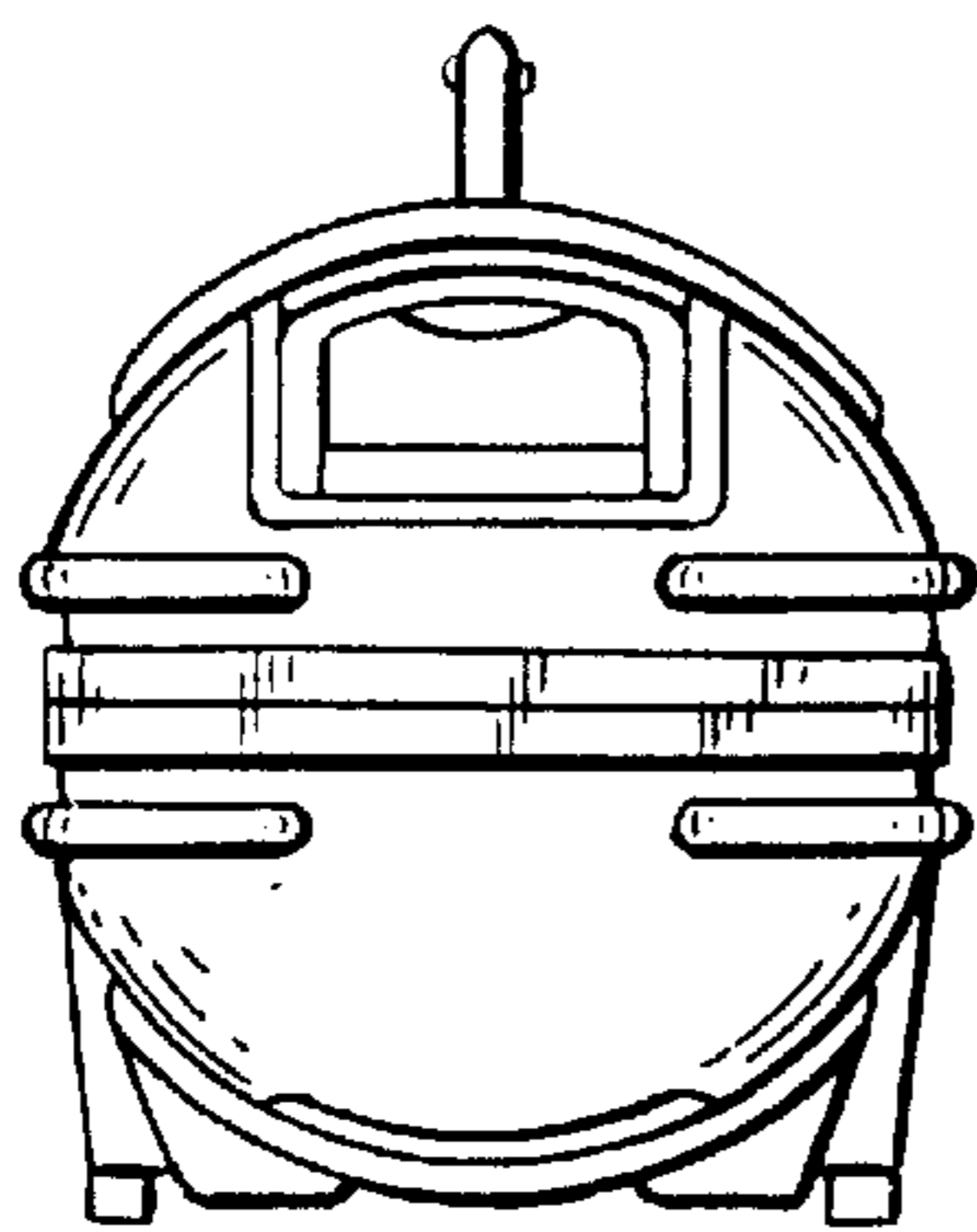


FIG. 3

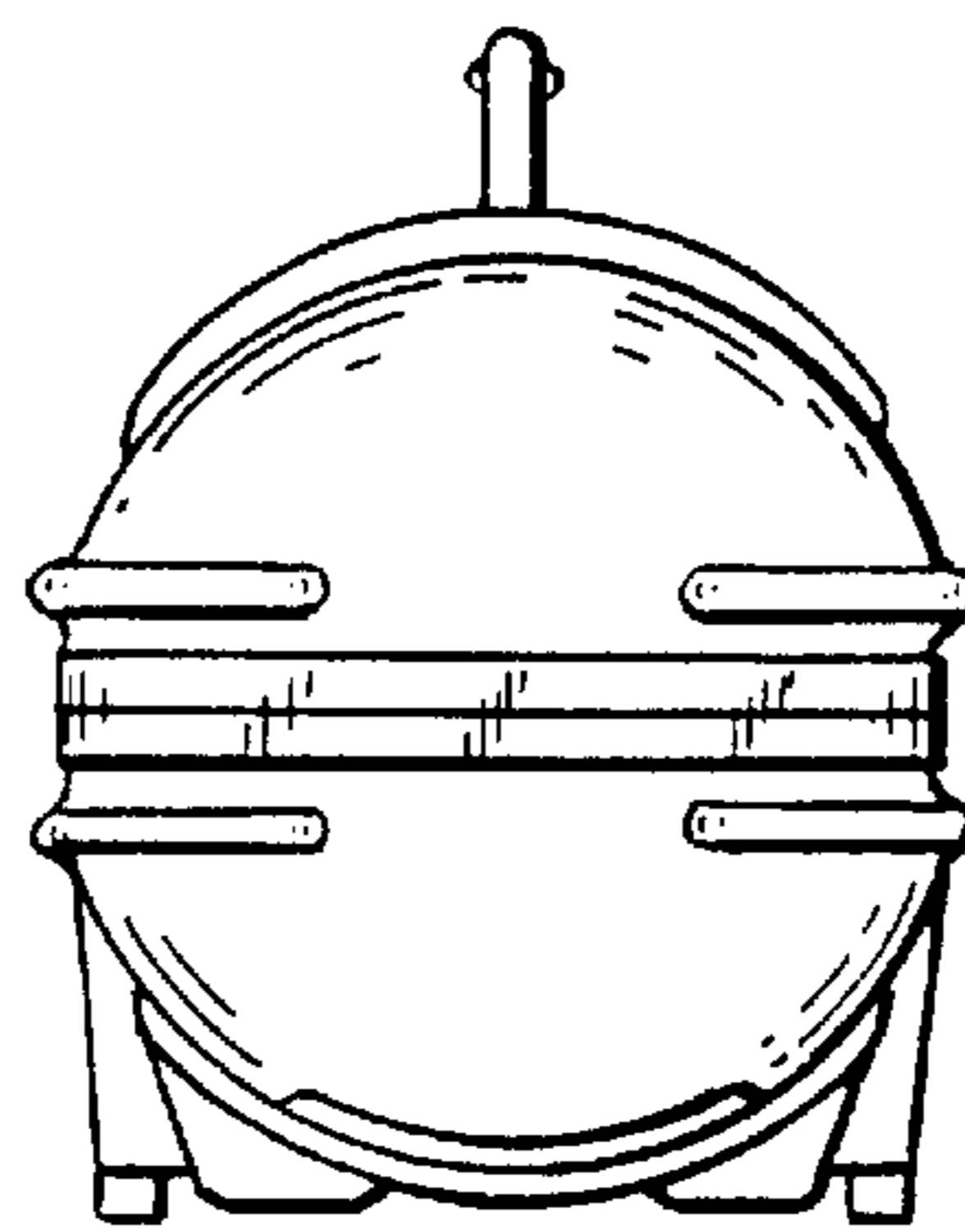


FIG. 4

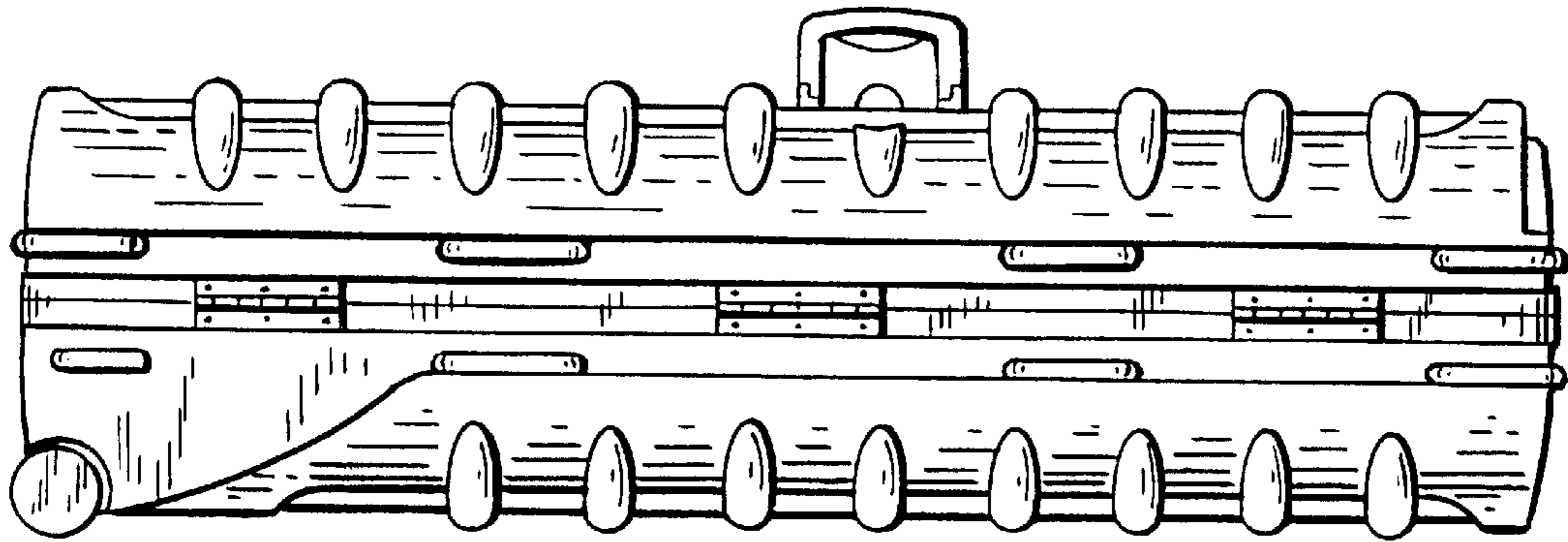


FIG. 5

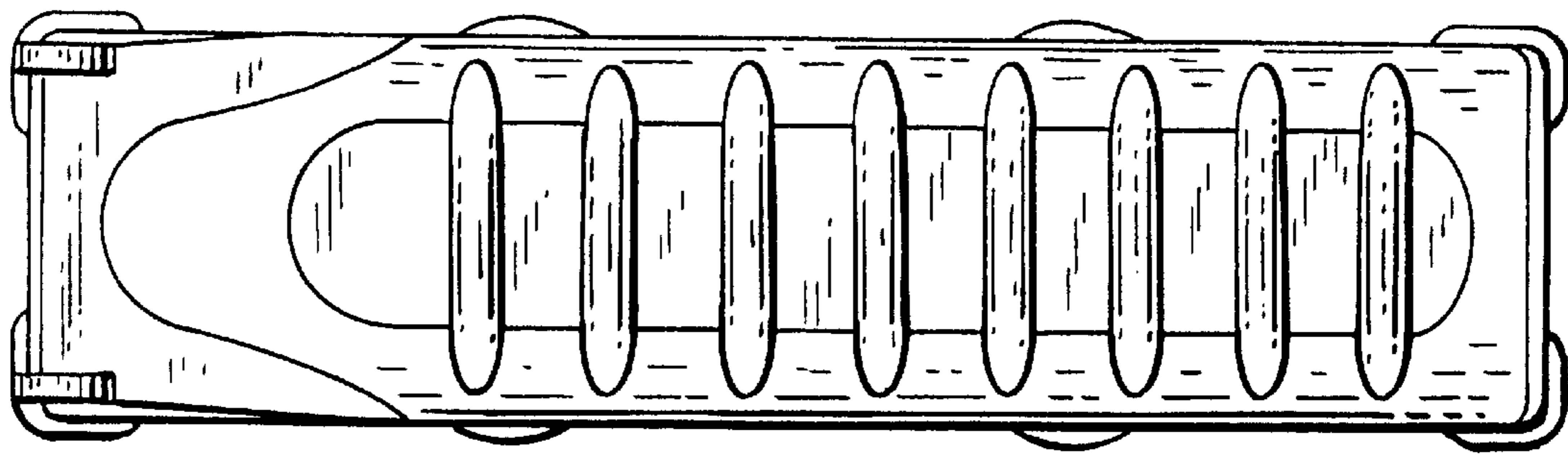


FIG. 6

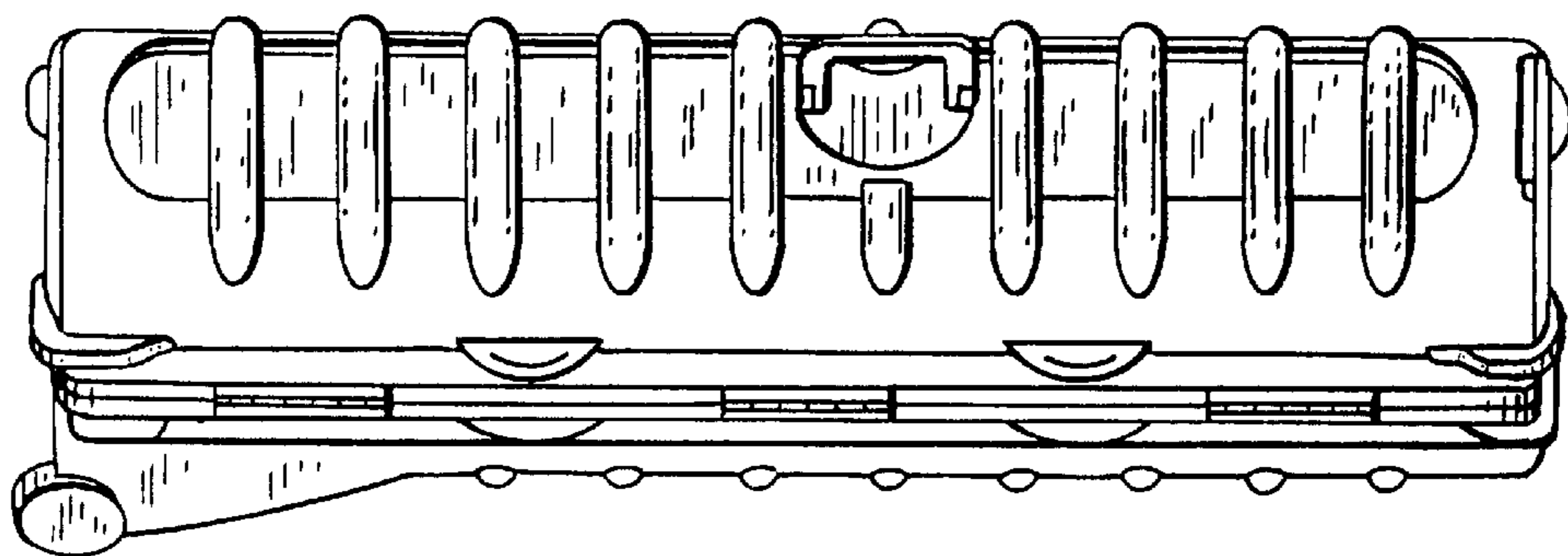


FIG. 7