



US00D436429S

(12) **United States Design Patent**
Randolph

(10) **Patent No.:** **US D436,429 S**

(45) **Date of Patent:** **** *Jan. 23, 2001**

(54) **SHIRT COLLAR**

(76) **Inventor:** **Frederick Randolph**, 1910 Sunnyview
Oval, Keasbey, NJ (US) 08832

(*) **Notice:** This patent is subject to a terminal dis-
claimer.

(**) **Term:** **14 Years**

(21) **Appl. No.:** **29/119,071**

(22) **Filed:** **Feb. 23, 2000**

(51) **LOC (7) Cl.** **02-05**

(52) **U.S. Cl.** **D2/602**

(58) **Field of Search** D2/600, 602, 605,
D2/853, 854, 823; 2/127, 128, 129, 130,
131, 137, 88

(56) **References Cited**

U.S. PATENT DOCUMENTS

- D. 110,415 * 7/1938 Glidden D2/602
- D. 421,328 * 3/2000 Glennie D2/602
- 939,204 11/1909 Bevington .
- 1,287,455 12/1918 Schevenell .
- 1,814,818 * 7/1931 Bard 2/131

- 2,585,690 * 2/1952 Schafer D2/602
- 3,041,626 * 7/1962 Light 2/131
- 3,106,719 10/1963 Rosenfeld .
- 3,203,004 * 8/1965 Gast 2/128

* cited by examiner

Primary Examiner—Paula A. Mortimer

(74) *Attorney, Agent, or Firm*—Goldstein & Canino

(57) **CLAIM**

The ornamental design for a shirt collar, as shown and described.

DESCRIPTION

FIG. 1 is a perspective view of a shirt collar in full lines with a shirt shown in broken lines representing environmental association matter being for illustrative purposes only and forming no part of the claimed invention;
 FIG. 2 is a front elevational view of the shirt collar;
 FIG. 3 is a rear elevational view thereof;
 FIG. 4 is a top plan view thereof;
 FIG. 5 is a bottom plan view of the shirt collar; and,
 FIG. 6 is a left side elevational view thereof, the right side view being a mirror image of the right side view.

1 Claim, 2 Drawing Sheets

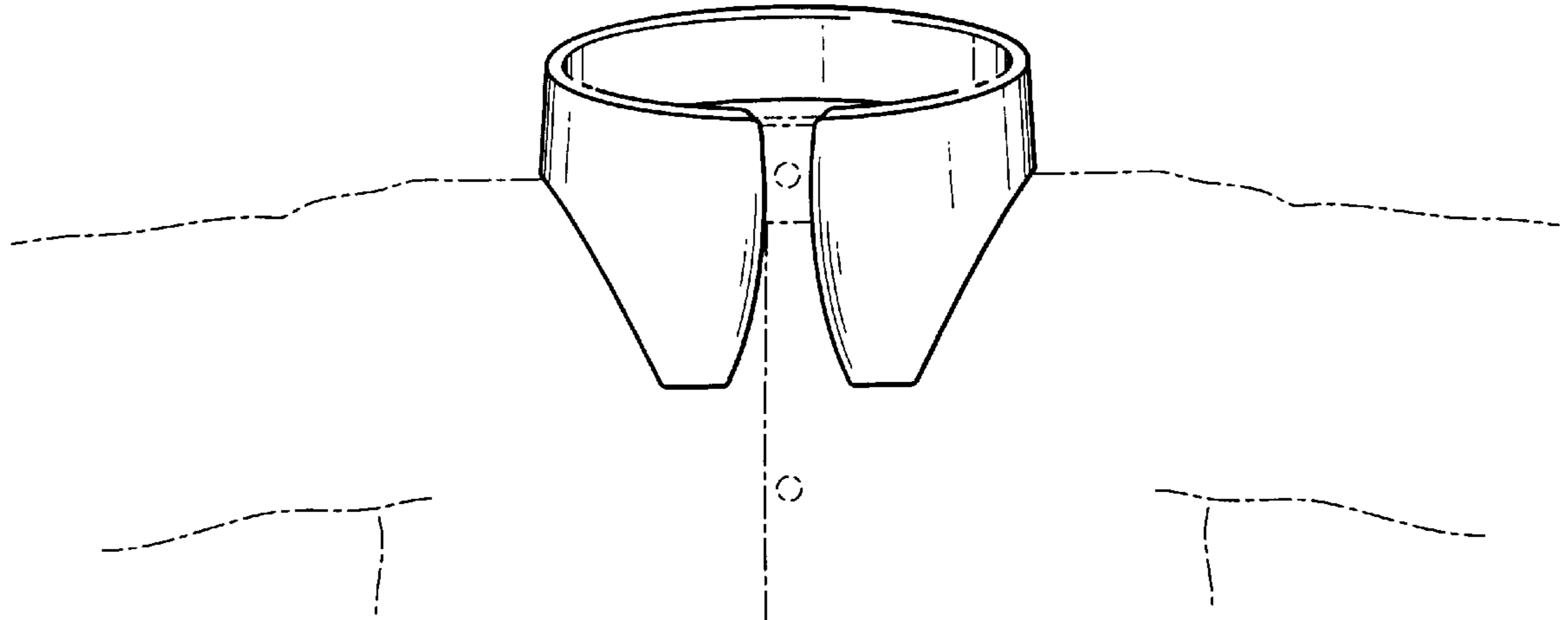


FIG. 1

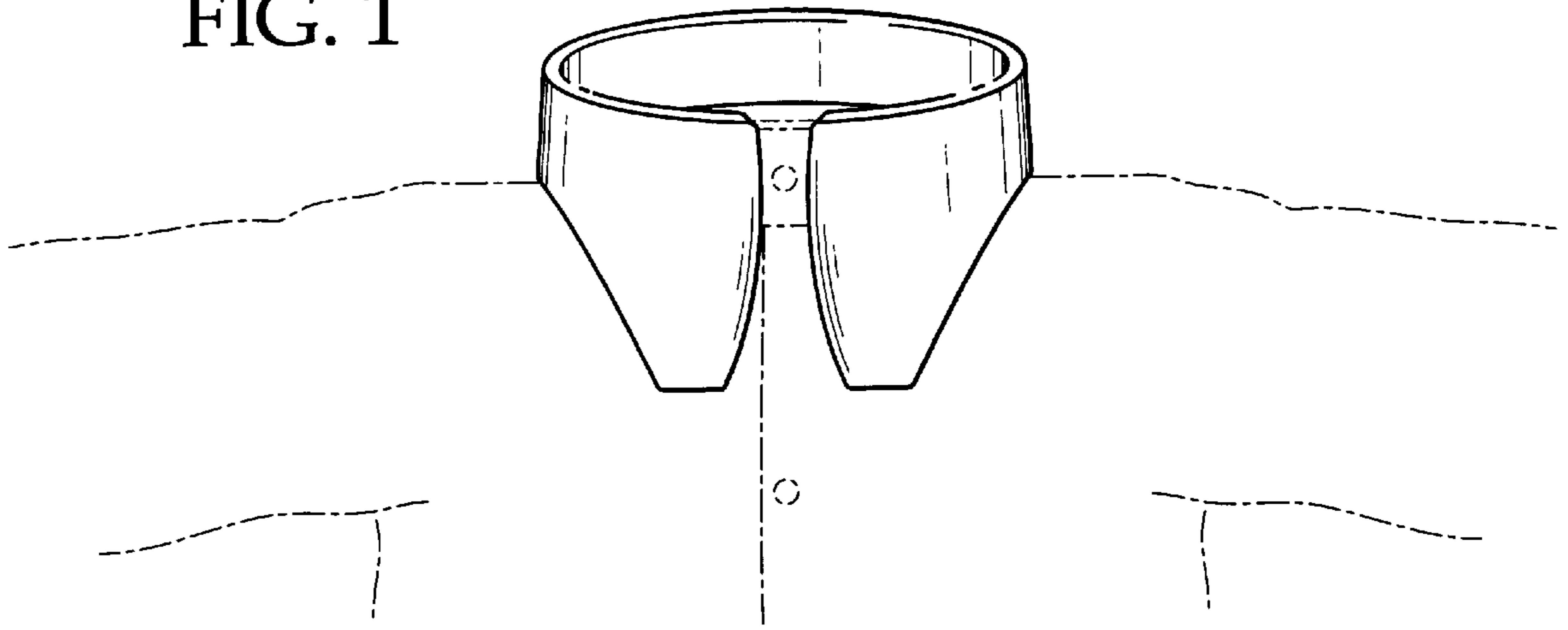


FIG. 2

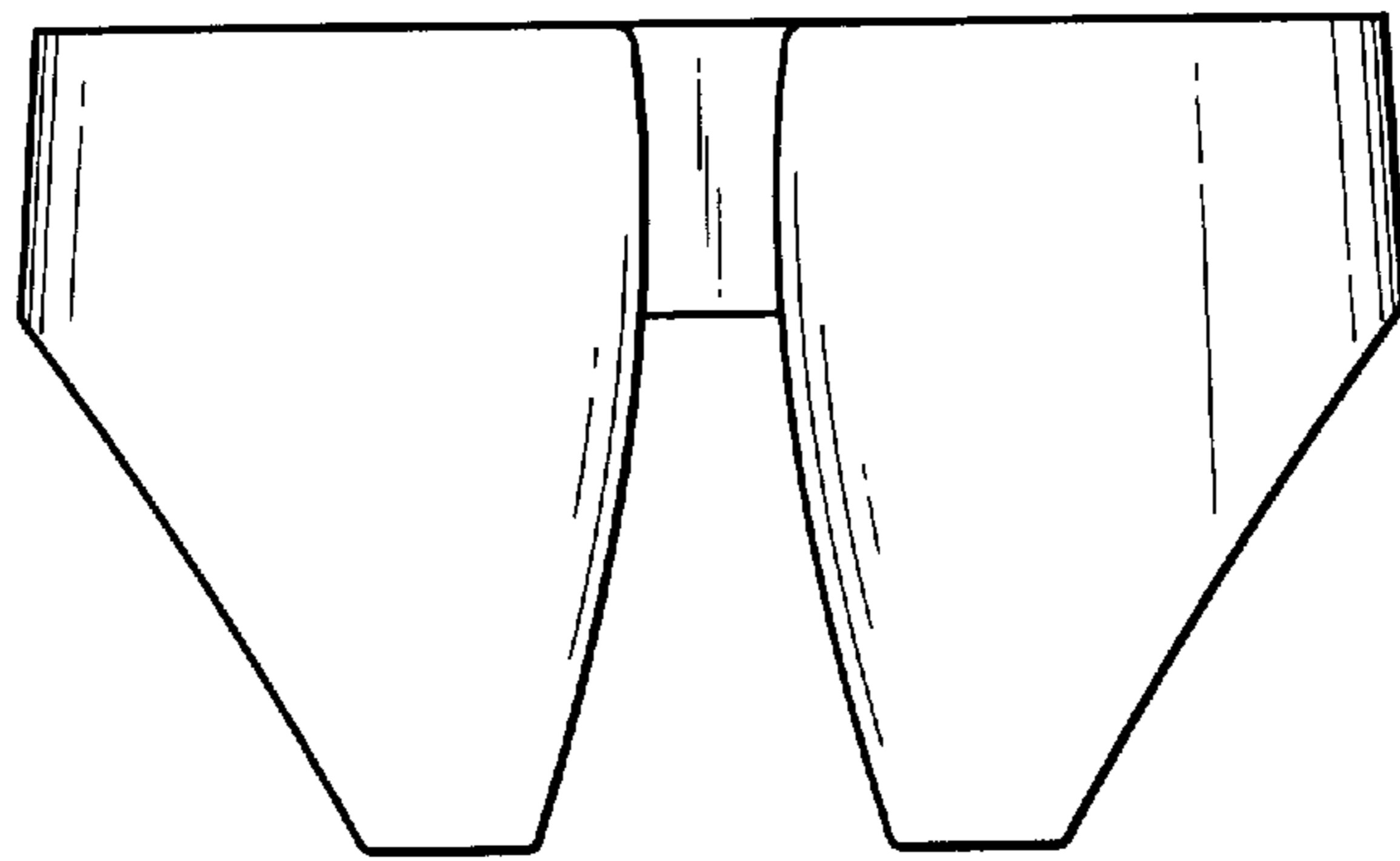


FIG. 3

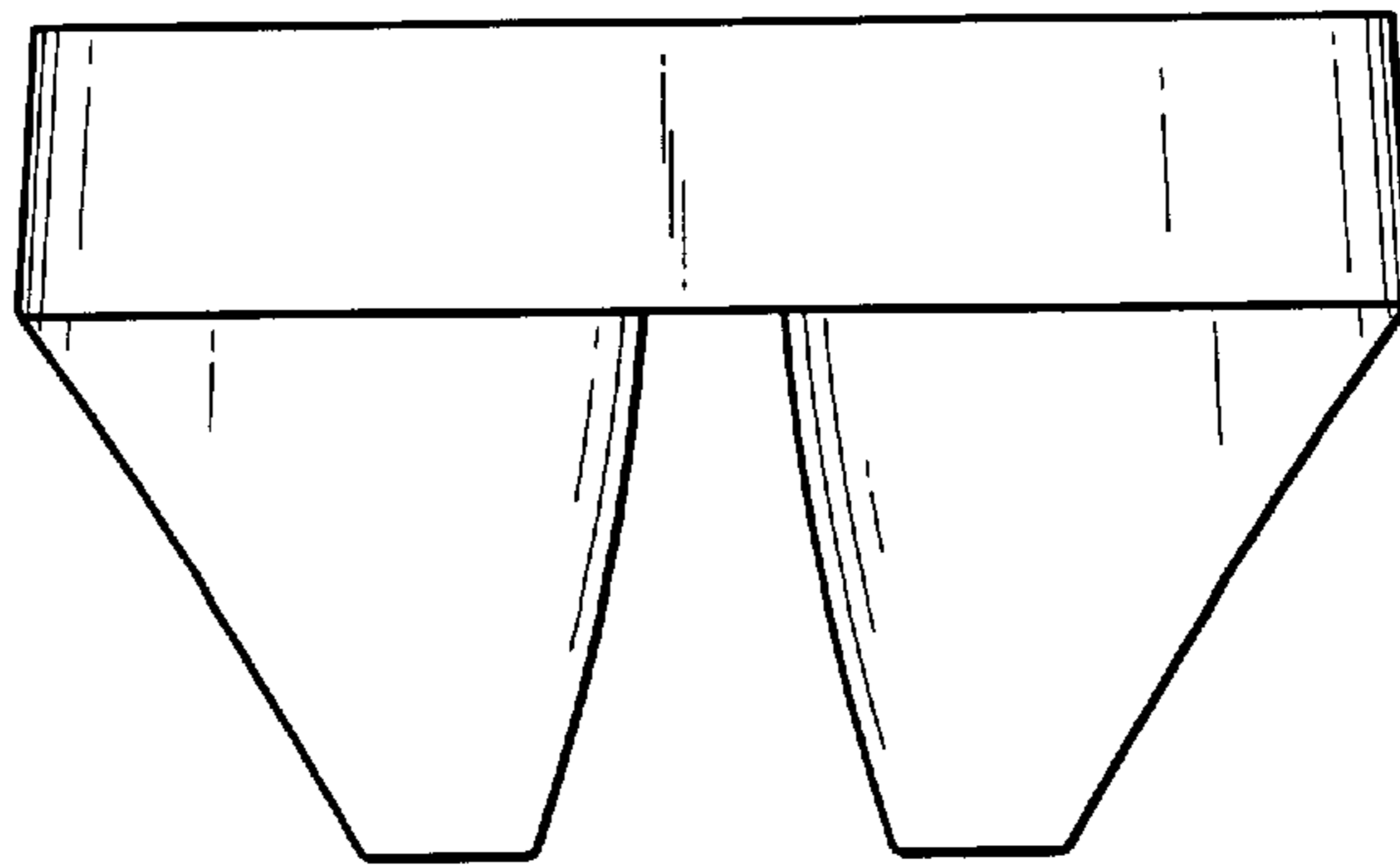


FIG. 4

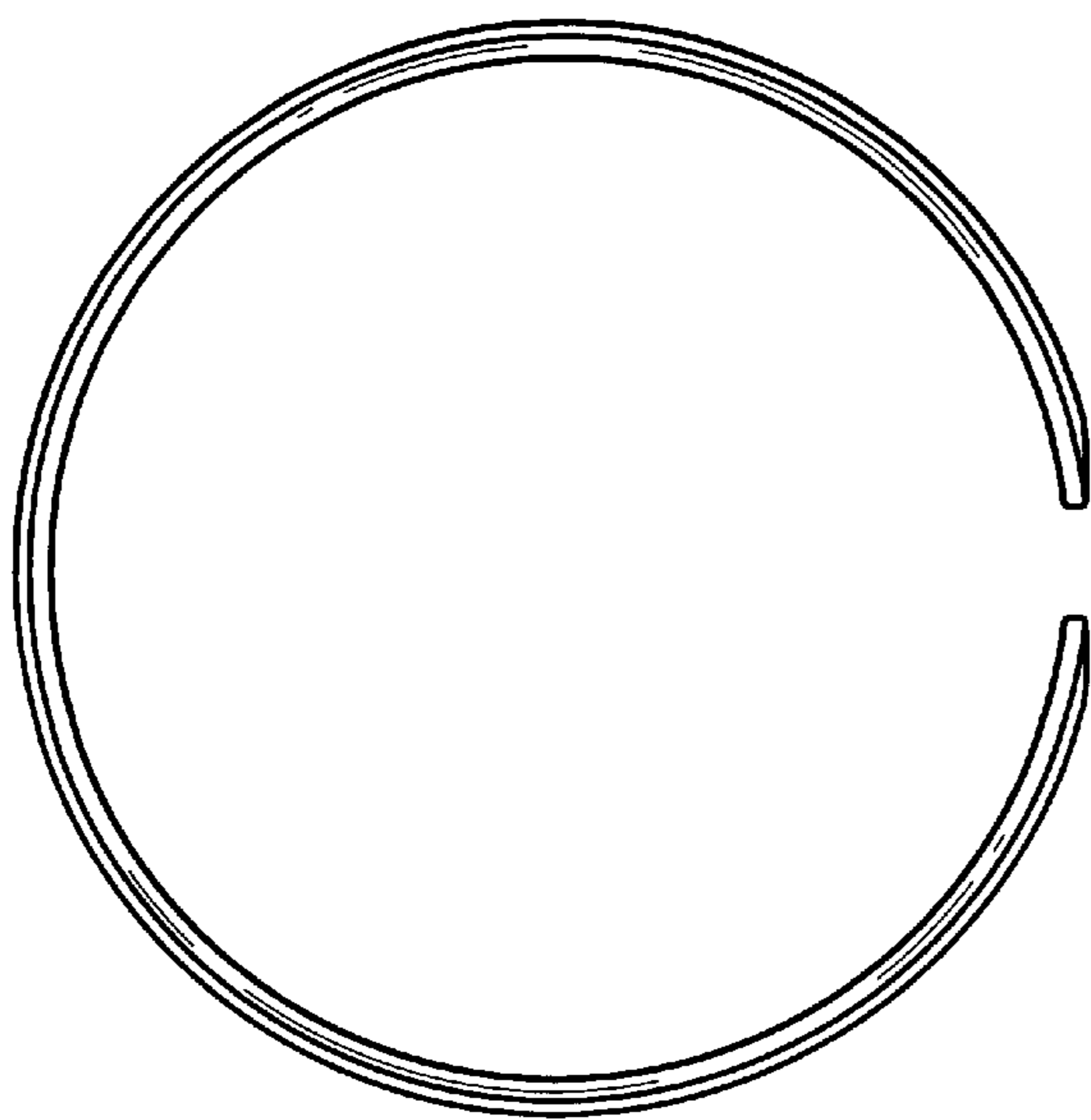


FIG. 5

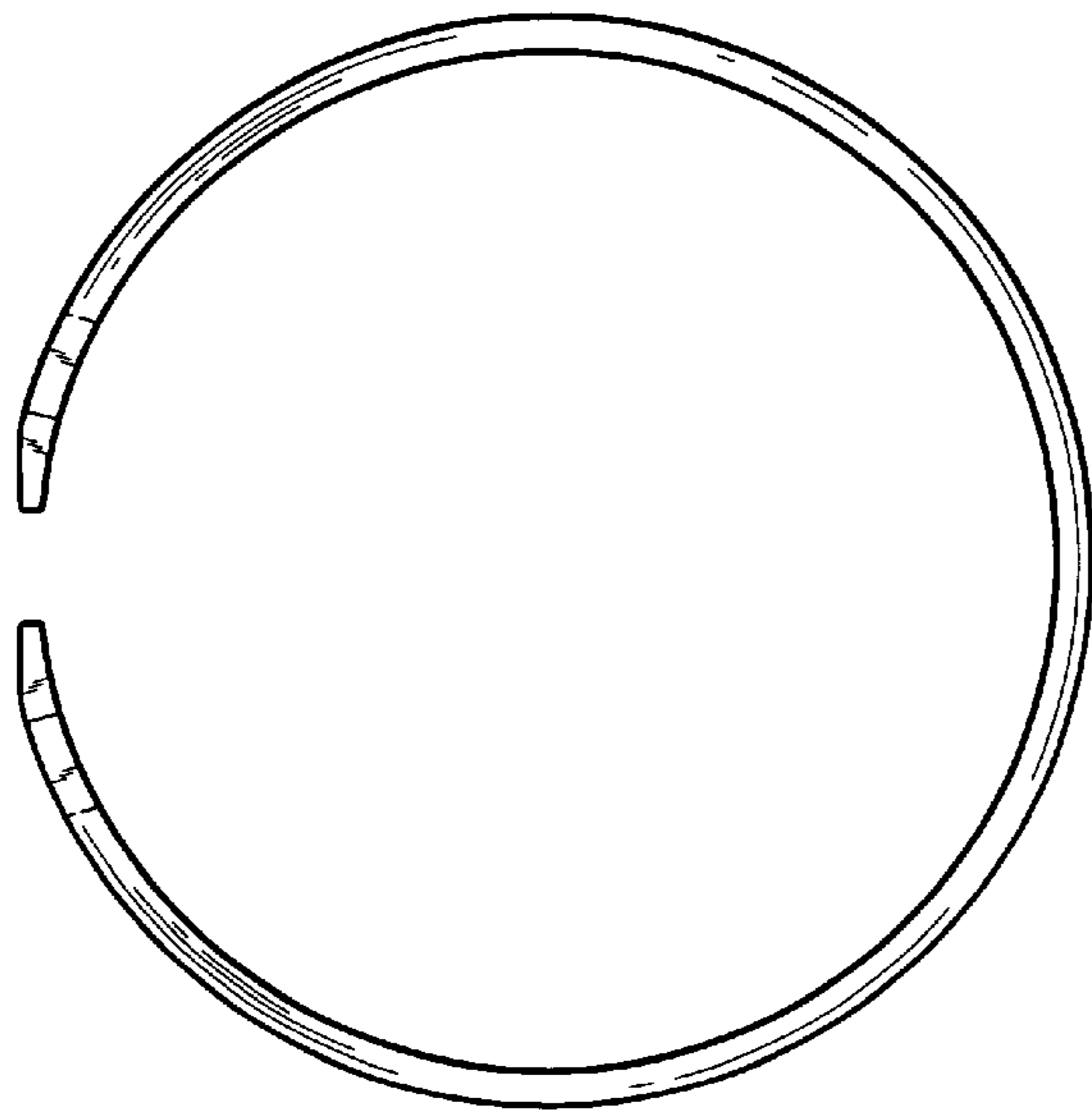


FIG. 6

