



US00D436427S

(12) **United States Design Patent**
Grendahl

(10) **Patent No.:** **US D436,427 S**

(45) **Date of Patent:** **** Jan. 16, 2001**

(54) **DIVIDED SAVINGS BANK**

5,746,140 * 5/1998 Flood 109/50
5,769,006 * 6/1998 Allaer 109/73

(75) **Inventor:** **Sharon J. Grendahl**, Apple Valley, MN (US)

* cited by examiner

Primary Examiner—Paula A. Mortimer
(74) *Attorney, Agent, or Firm*—John W. Bunch

(73) **Assignee:** **Legacy Ventures, Inc.**, Apple Valley, MN (US)

(57) **CLAIM**

The ornamental design for a divided savings bank, as shown and described.

(**) **Term:** **14 Years**

DESCRIPTION

(21) **Appl. No.:** **29/119,073**

FIG. 1 is a perspective view of a divided savings bank incorporating my new design, showing the lid in closed position;

(22) **Filed:** **Feb. 23, 2000**

FIG. 2 is a front elevational view thereof, the broken line showing of the vertical dividers is for illustrative purposes only and forms no part of the claimed design;

(51) **LOC (7) Cl.** **99-00**

(52) **U.S. Cl.** **D99/35**

(58) **Field of Search** D99/28, 34, 35,
D99/41; 232/4 R, 43.1; 109/50, 51, 53,
73; 220/3.3, 4.02, 476

FIG. 3 is a right side view thereof, the left side being a mirror image of that shown;

(56) **References Cited**

U.S. PATENT DOCUMENTS

- D. 328,399 * 8/1992 McGrory et al. 232/4 R X
- D. 360,736 * 7/1995 Bartholomew D99/28
- 1,644,410 * 10/1927 Belknap 109/50
- 4,542,848 * 9/1985 Peters 232/4 R X
- 4,628,827 * 12/1986 Litter 109/50
- 4,799,436 * 1/1989 Goodman 109/50

FIG. 4 is a rear elevational view thereof, the broken line showing of the vertical dividers is for illustrative purposes and forms no part of the claimed design;

FIG. 5 is a top plan view thereof, the broken line showing of the vertical dividers is for illustrative purposes only and forms no part of the claimed design; and,

FIG. 6 is a perspective view similar to FIG. 1, showing the lid in open position.

1 Claim, 2 Drawing Sheets

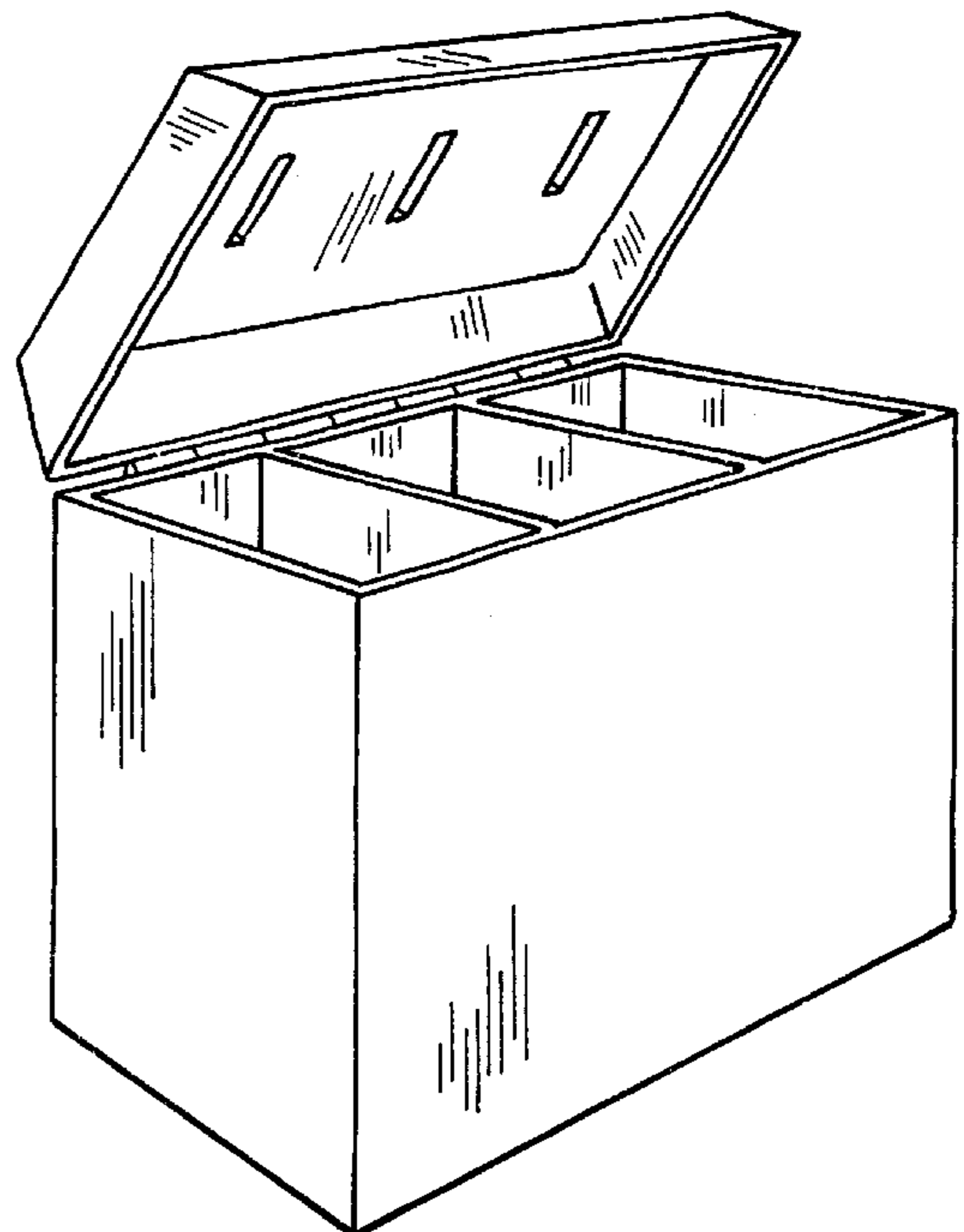
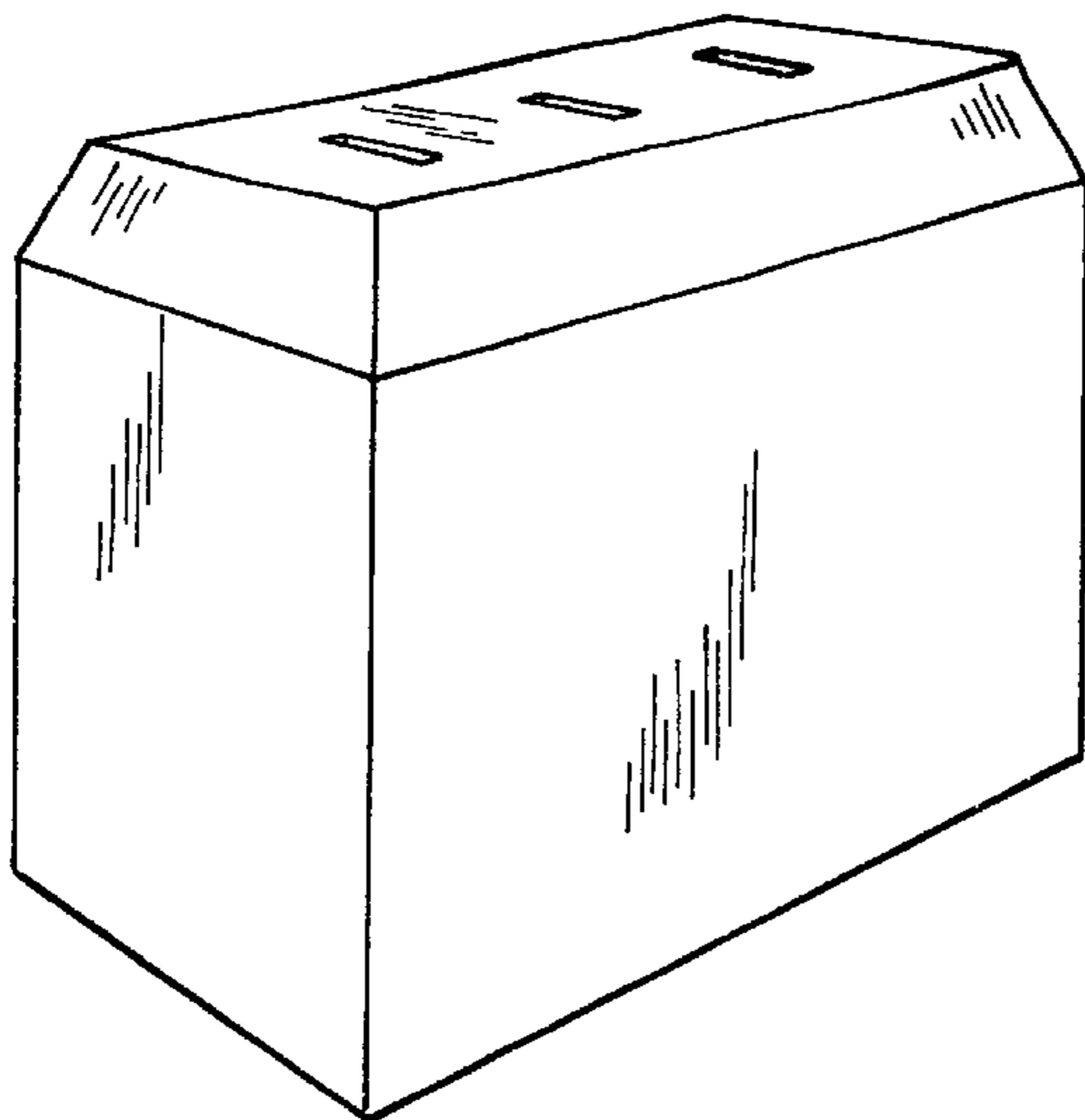


FIG. 1

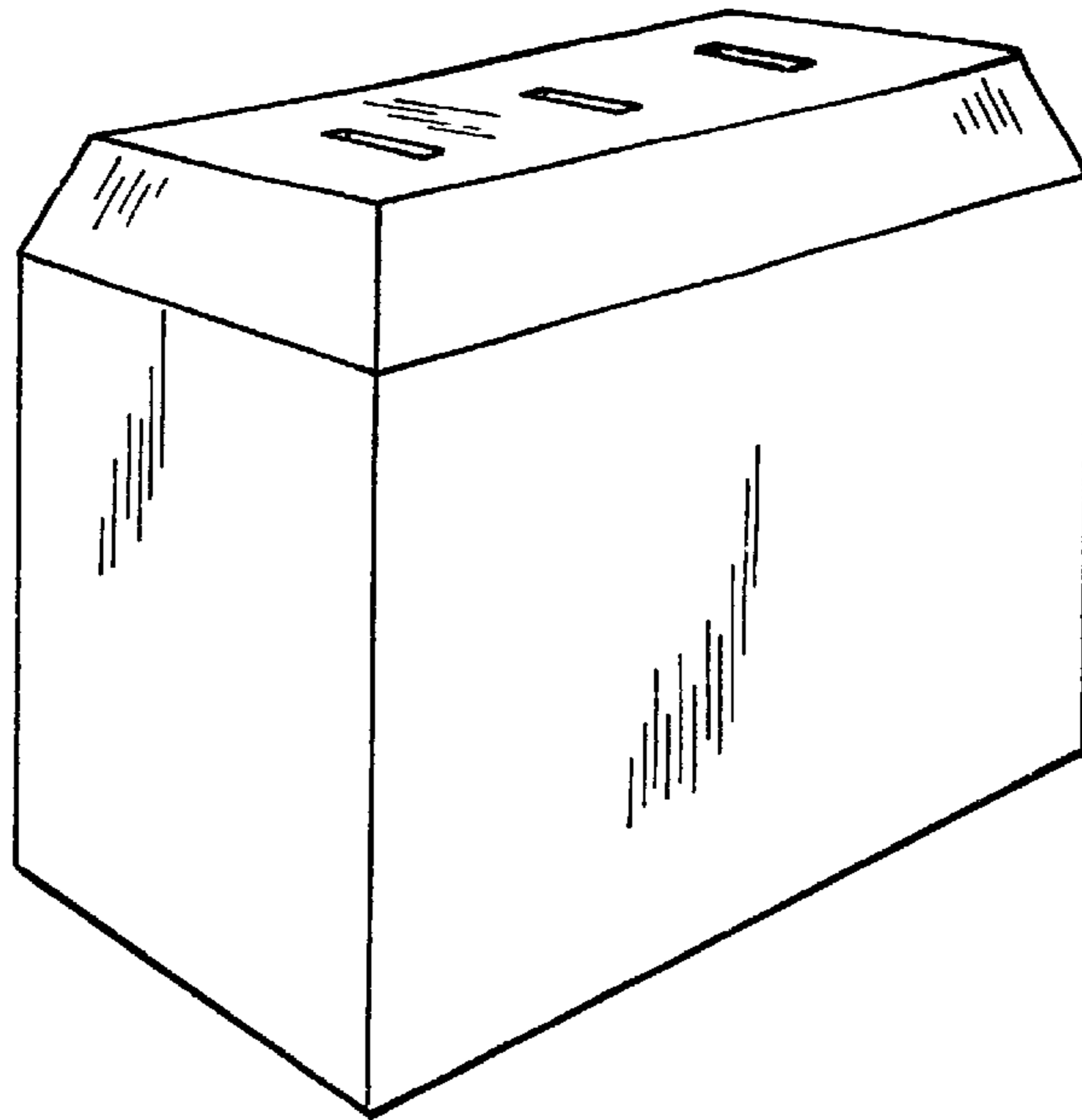


FIG. 2

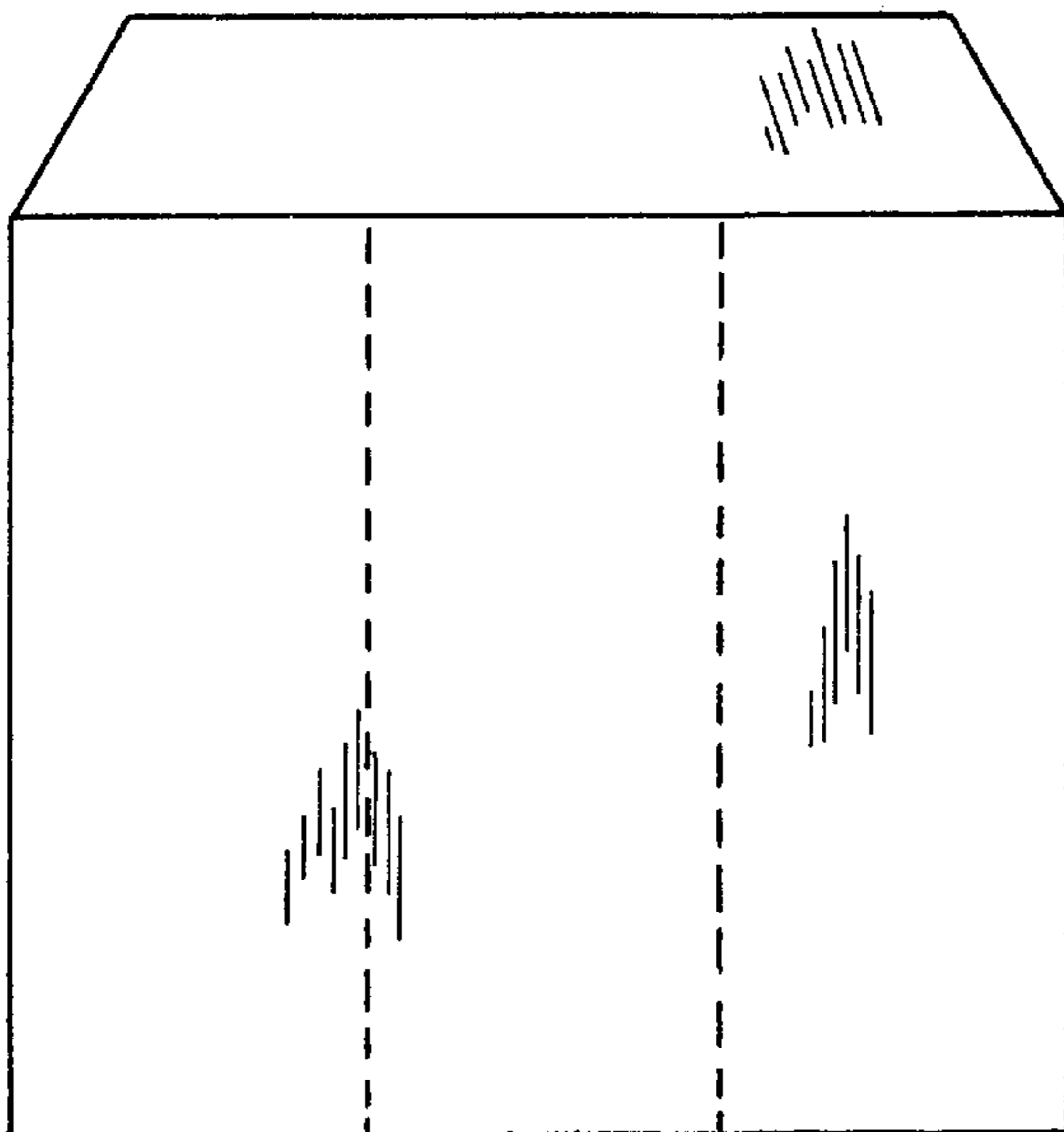


FIG. 3

