



US00D436425S

(12) **United States Design Patent**
Salo et al.

(10) **Patent No.:** **US D436,425 S**

(45) **Date of Patent:** **** Jan. 16, 2001**

(54) **CAP FOR DIRT CUP OF A VACUUM CLEANER**

5,558,697 9/1996 Dyson et al. .
5,974,625 11/1999 Garner .

(75) Inventors: **Robert A. Salo; Charles J. Thur**, both of Mentor; **Jeffrey M. Kalman**, Cleveland Heights; **Craig M. Saunders**, Rocky River; **Cynthia M. Caffoe**, Cleveland Heights, all of OH (US)

* cited by examiner

Primary Examiner—Mitchell Siegel
(74) *Attorney, Agent, or Firm*—Fay, Sharpe, Fagan, Minnich & McKee, LLP

(73) Assignee: **Royal Appliance Mfg. Co.**, Cleveland, OH (US)

(57) **CLAIM**

The ornamental design for a cap for dirt cup of a vacuum cleaner, as shown and described.

(**) Term: **14 Years**

DESCRIPTION

(21) Appl. No.: **29/116,903**

FIG. 1 shows a cap for dirt cup of a vacuum cleaner showing our new design;

(22) Filed: **Jan. 12, 2000**

FIG. 2 is a top plan view thereof;

(51) **LOC (7) Cl.** **15-05**

FIG. 3 is a right side elevational view thereof;

(52) **U.S. Cl.** **D32/25**

FIG. 4 is a left side elevational view thereof;

(58) **Field of Search** D32/25, 30, 22;
15/320, 322, 323, 347, 350-353

FIG. 5 is a bottom plan view thereof;

FIG. 6 is a front elevational view thereof; and,

FIG. 7 is a rear elevational view thereof.

(56) **References Cited**

The vacuum cleaner illustrated in broken lines in FIG. 1 shows the environment in which the cap for dirt cup for a vacuum cleaner according to the present invention is used and forms no part of the claimed design.

U.S. PATENT DOCUMENTS

- D. 343,707 1/1994 Dyson .
- D. 375,820 * 11/1996 Piccaluga et al. D32/22
- D. 399,618 * 10/1998 Jacobs D32/22

1 Claim, 4 Drawing Sheets

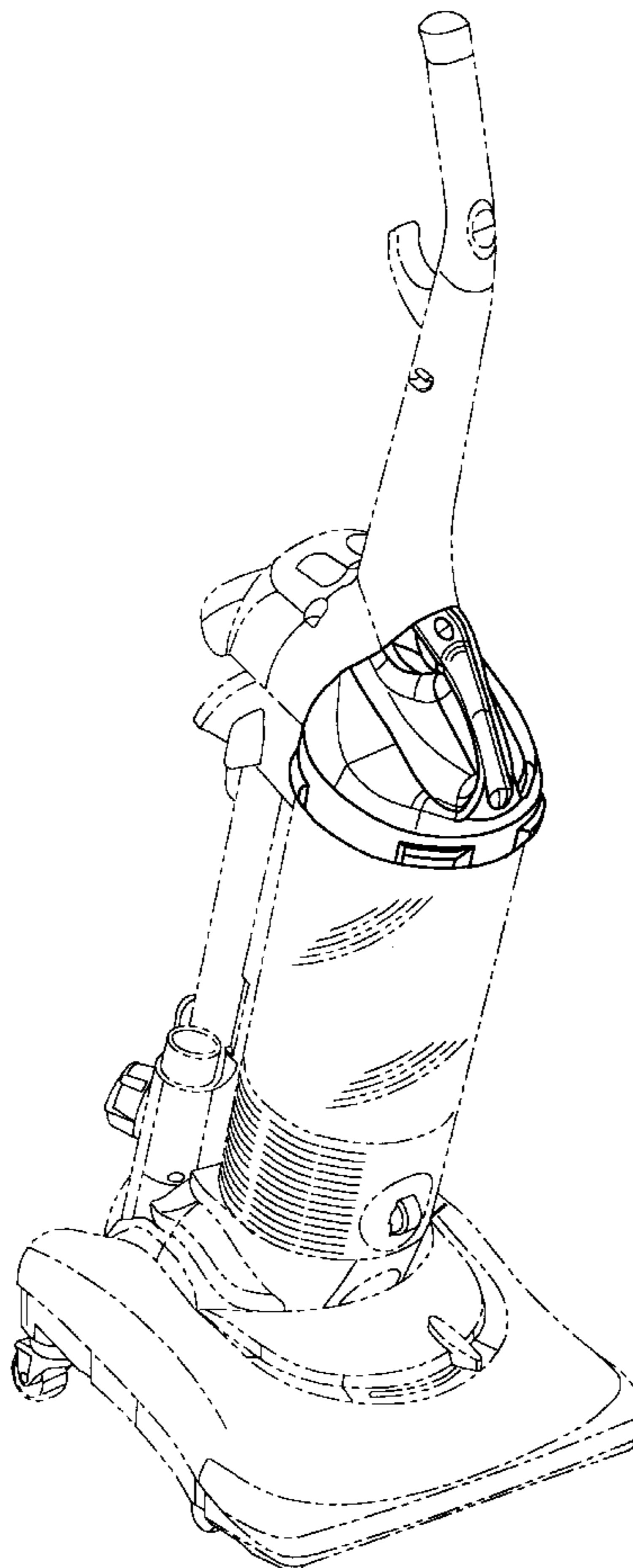
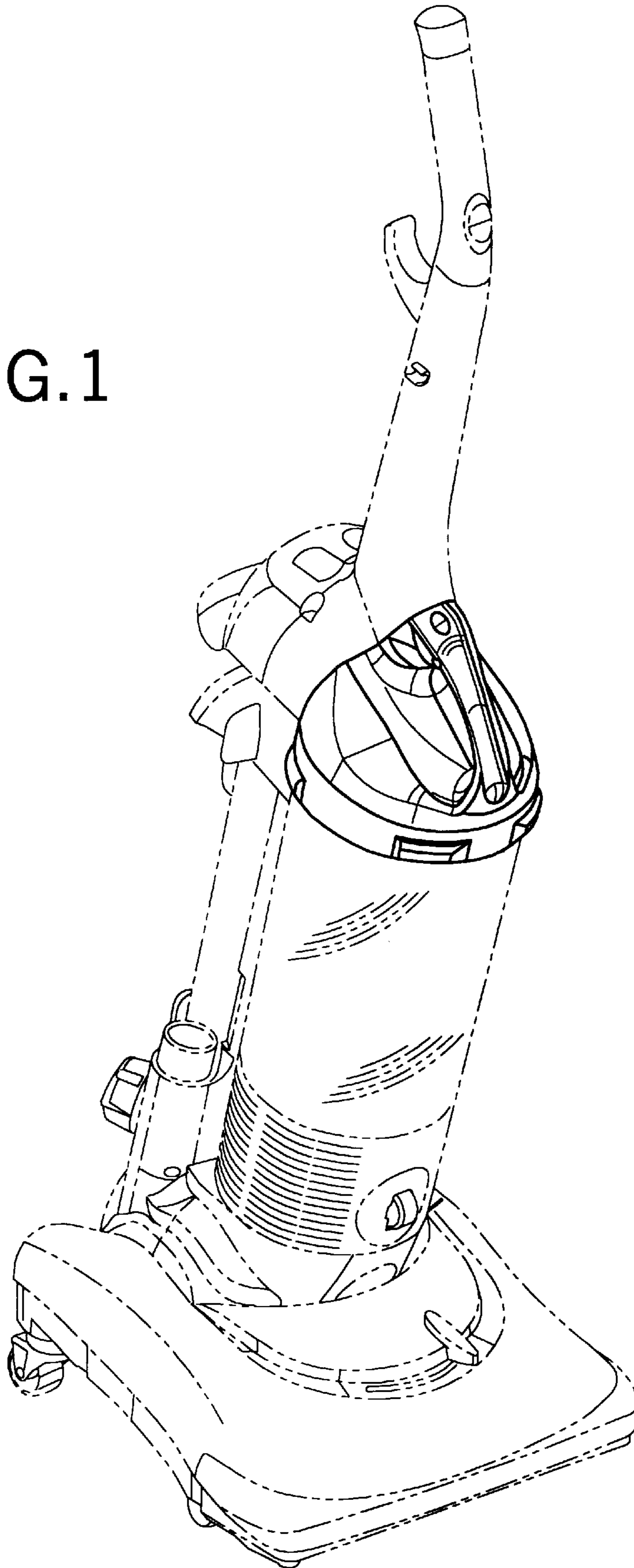


FIG.1



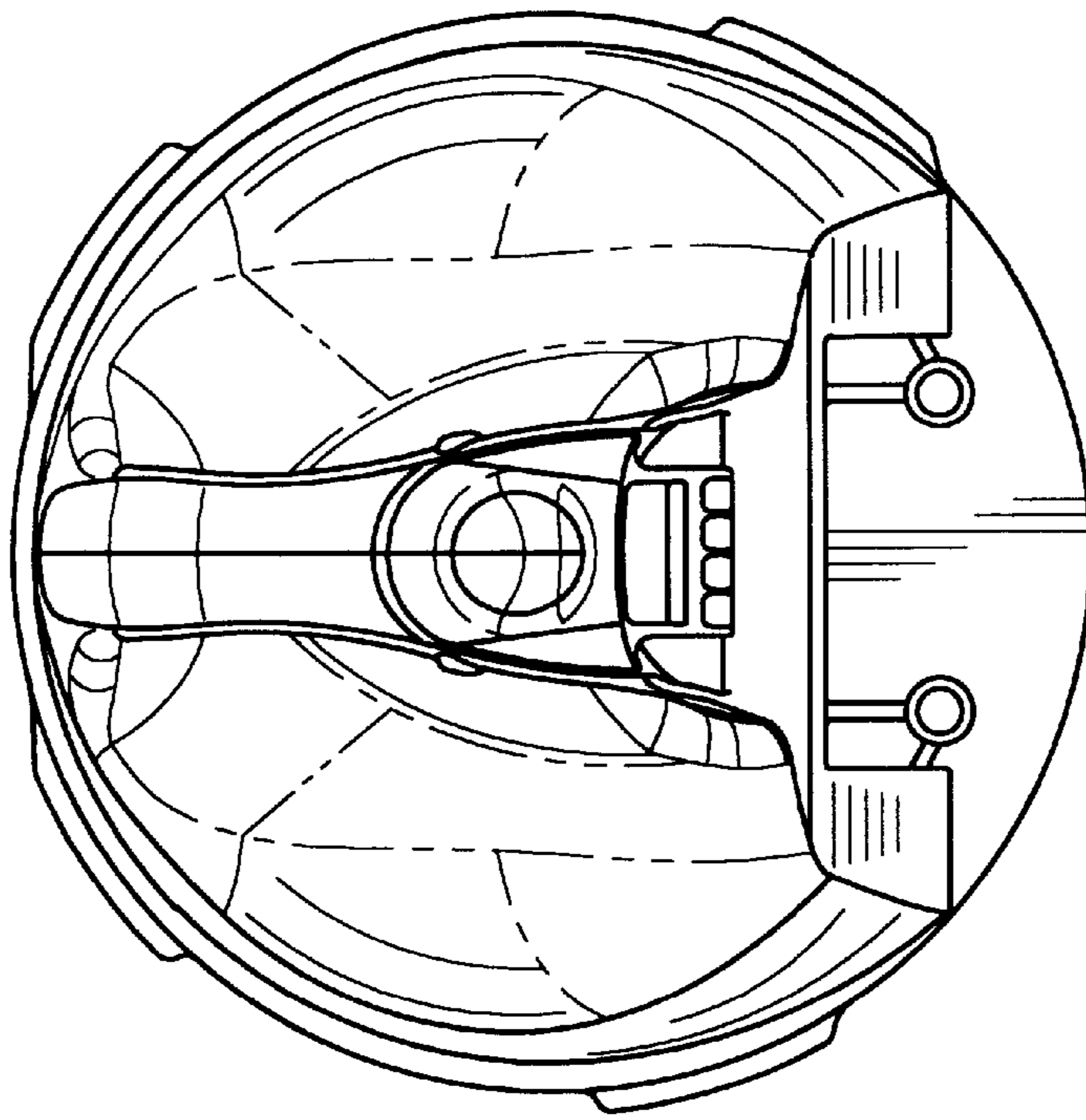


FIG. 2

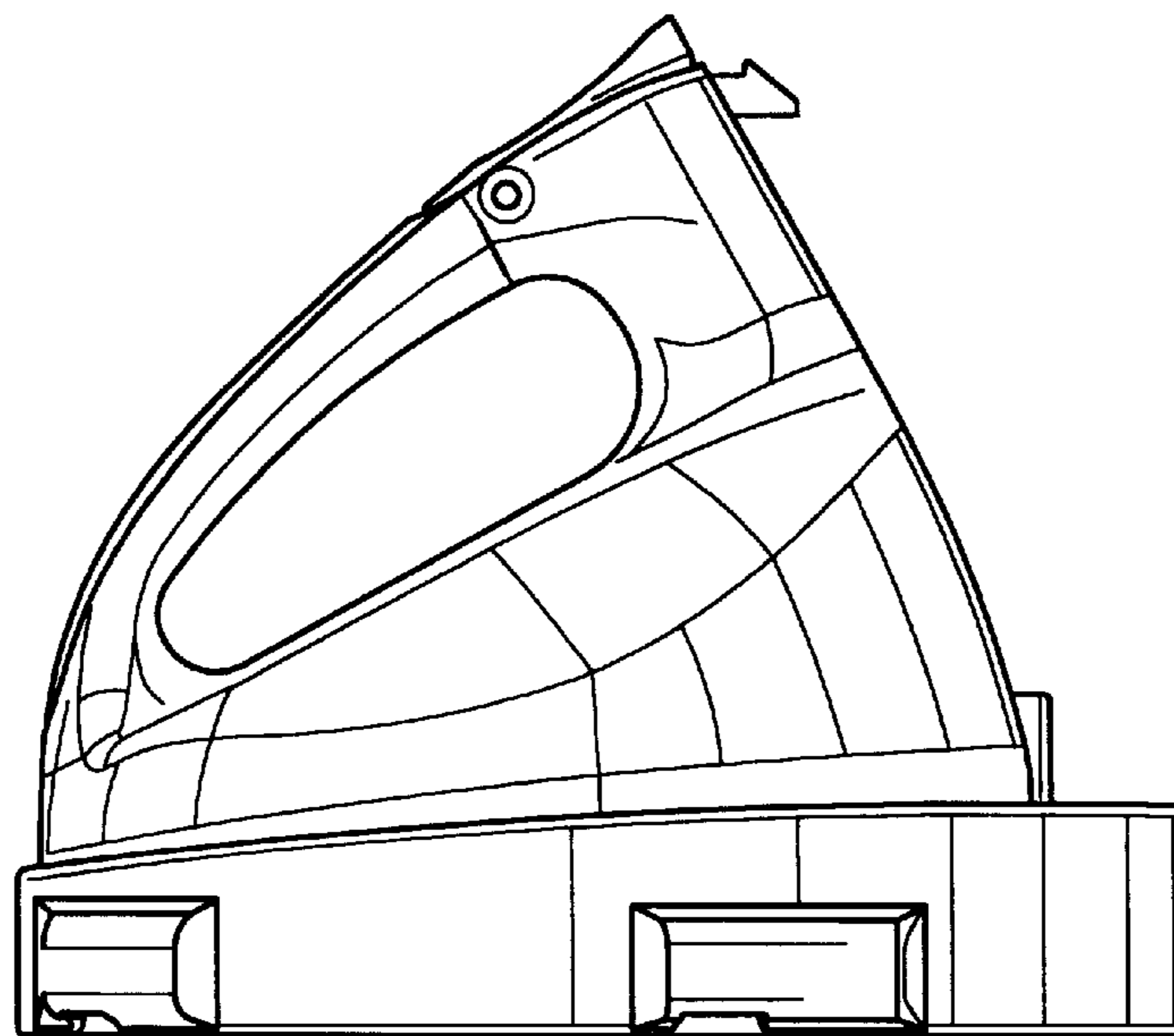


FIG. 3

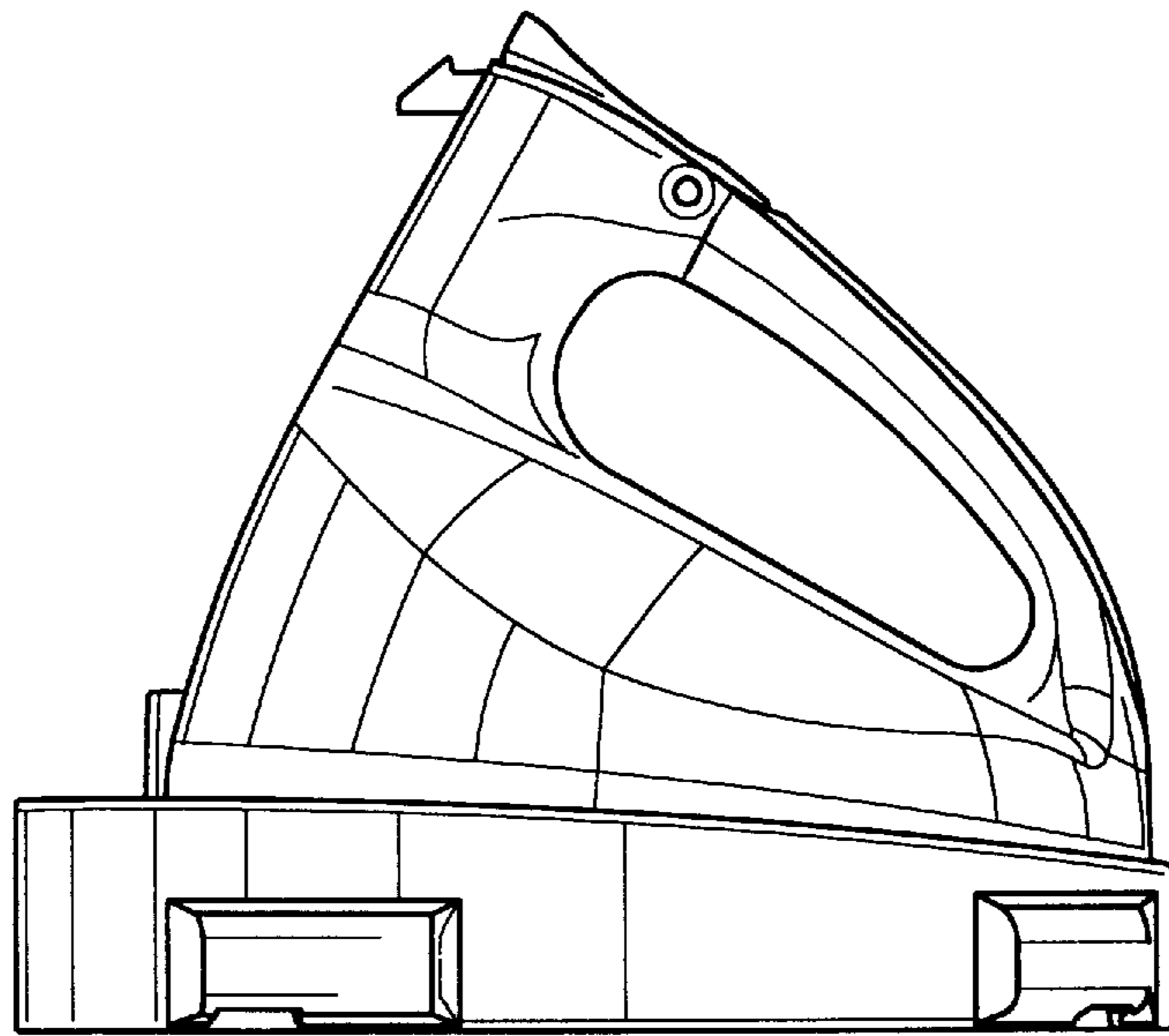


FIG. 4

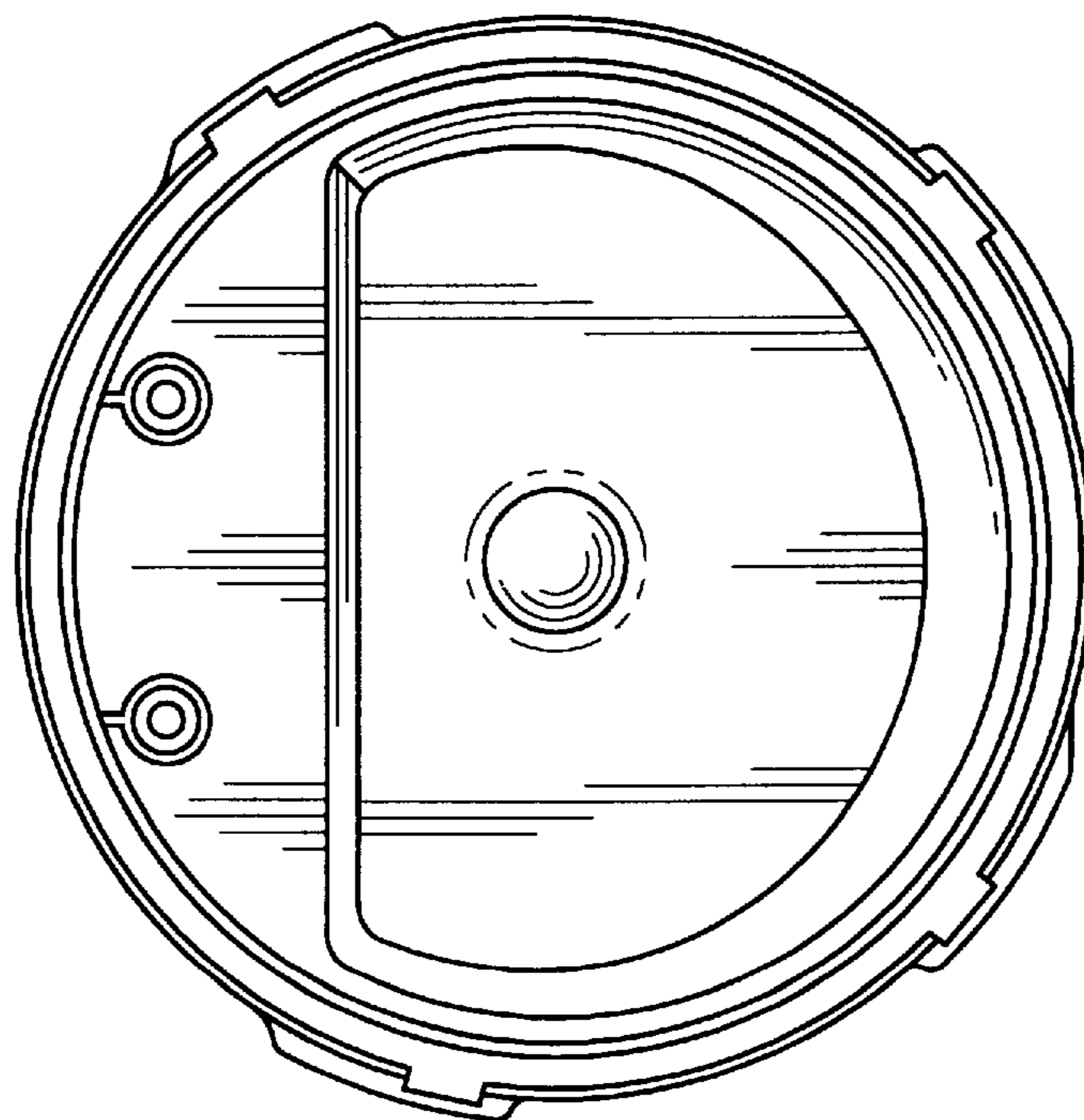


FIG. 5

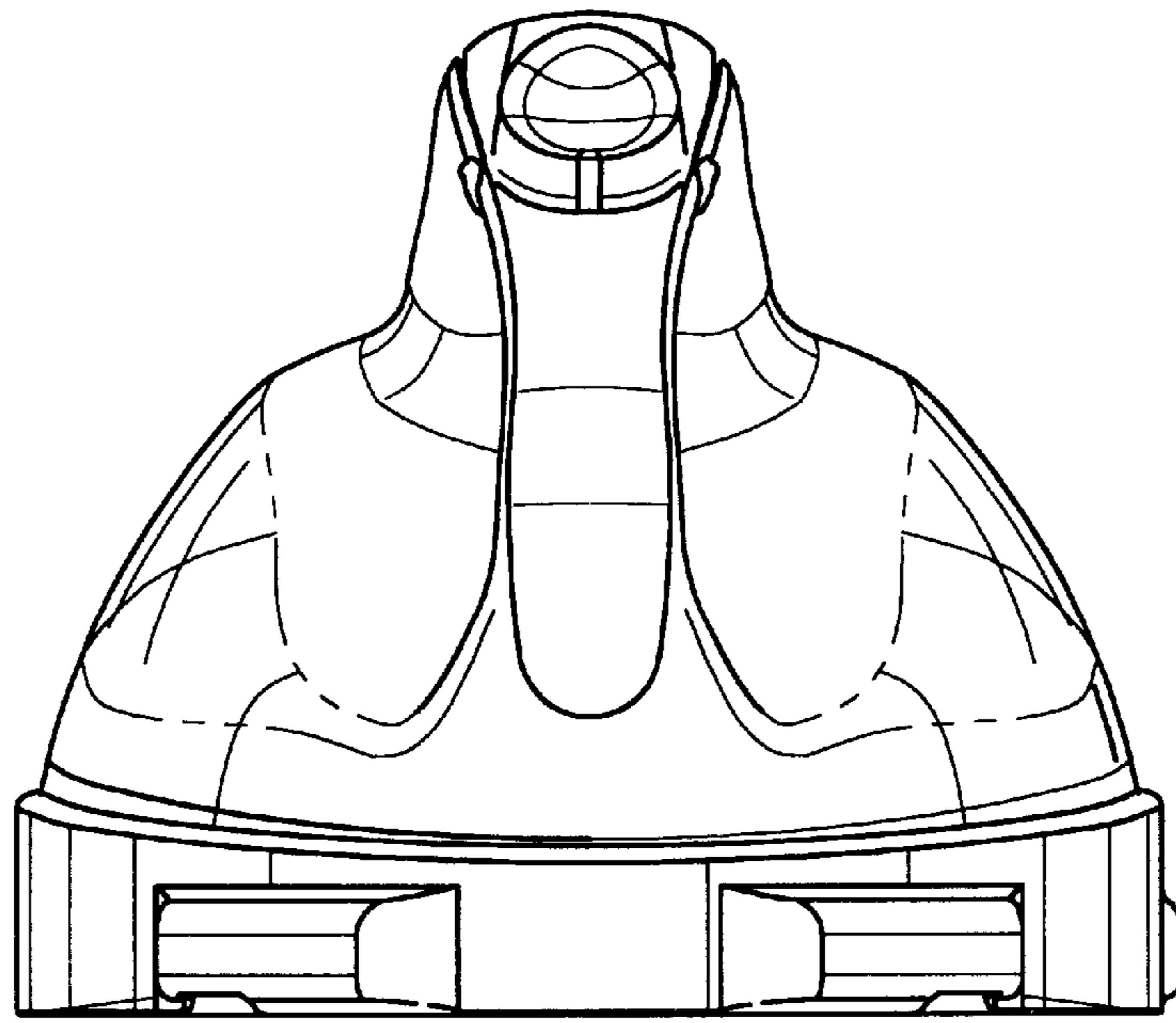


FIG. 6

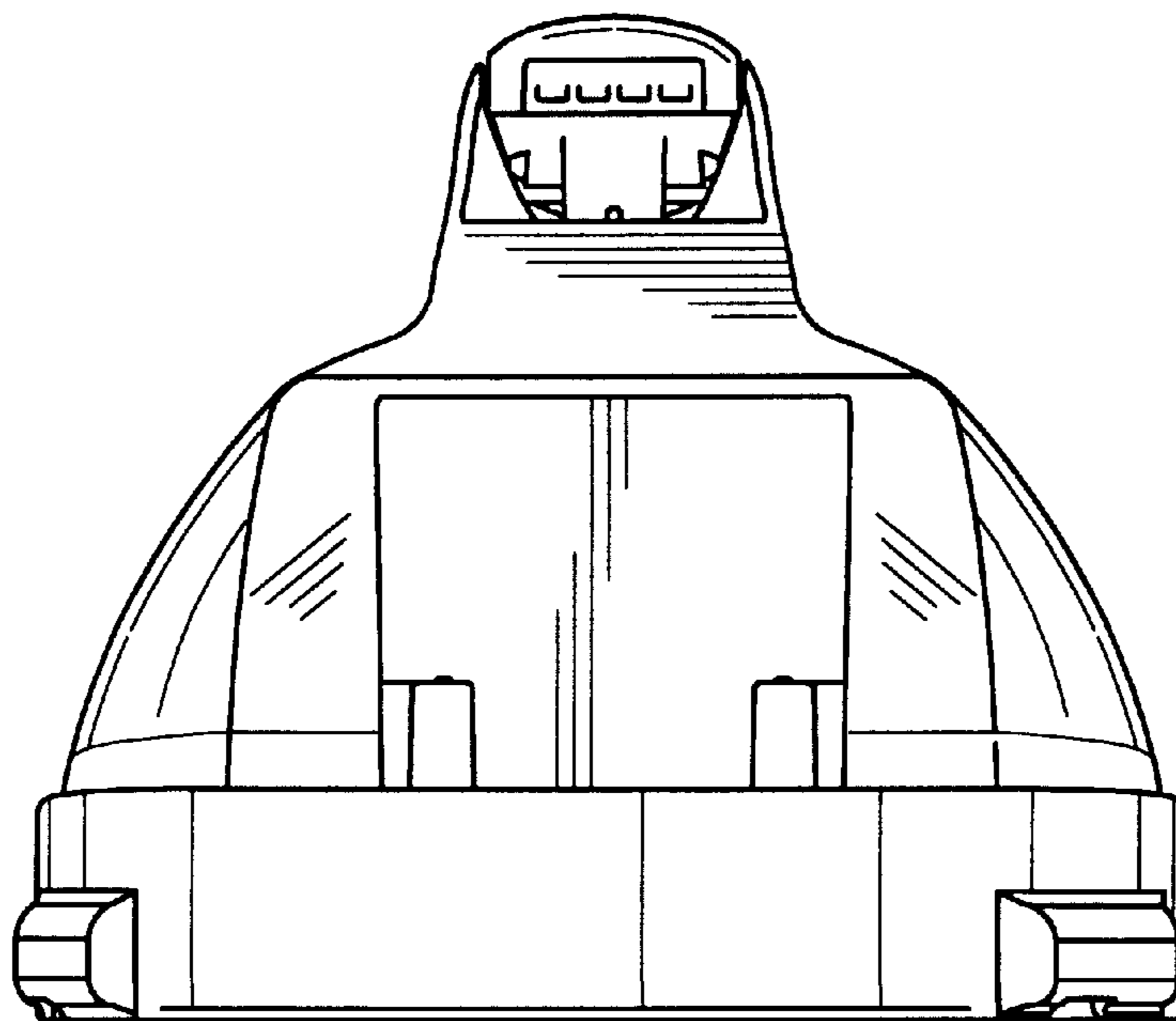


FIG. 7