



US00D436423S

(12) **United States Design Patent**  
**Yoon**

(10) **Patent No.:** **US D436,423 S**

(45) **Date of Patent:** **\*\* Jan. 16, 2001**

(54) **STEAM CARWASHING DEVICE**

(75) **Inventor:** **Chang Hwan Yoon, Seoul (KR)**

(73) **Assignee:** **Yujin S&T Company, Ltd., Seoul (KR)**

(\*\*) **Term:** **14 Years**

(21) **Appl. No.:** **29/117,879**

(22) **Filed:** **Feb. 1, 2000**

(51) **LOC (7) Cl.** ..... **15-05**

(52) **U.S. Cl.** ..... **D32/4**

(58) **Field of Search** ..... **D32/1, 4; 15/320, 15/340; 134/102, 172, 198, 200**

(56) **References Cited**

**U.S. PATENT DOCUMENTS**

D. 190,074 \* 4/1961 Harnes ..... D32/4

D. 204,489 \* 4/1966 Diamond ..... D32/4

D. 276,472 \* 11/1984 Harrison ..... D32/1

\* cited by examiner

*Primary Examiner*—Mitchell Siegel

(74) *Attorney, Agent, or Firm*—Marguerite Del Valle

(57) **CLAIM**

I claim the ornamental design for the steam carwashing device, as shown and described.

**DESCRIPTION**

FIG. 1 is a front perspective view of the new steam carwashing device, the present invention.

FIG. 2 is a top plan view thereof.

FIG. 3 is a front view thereof.

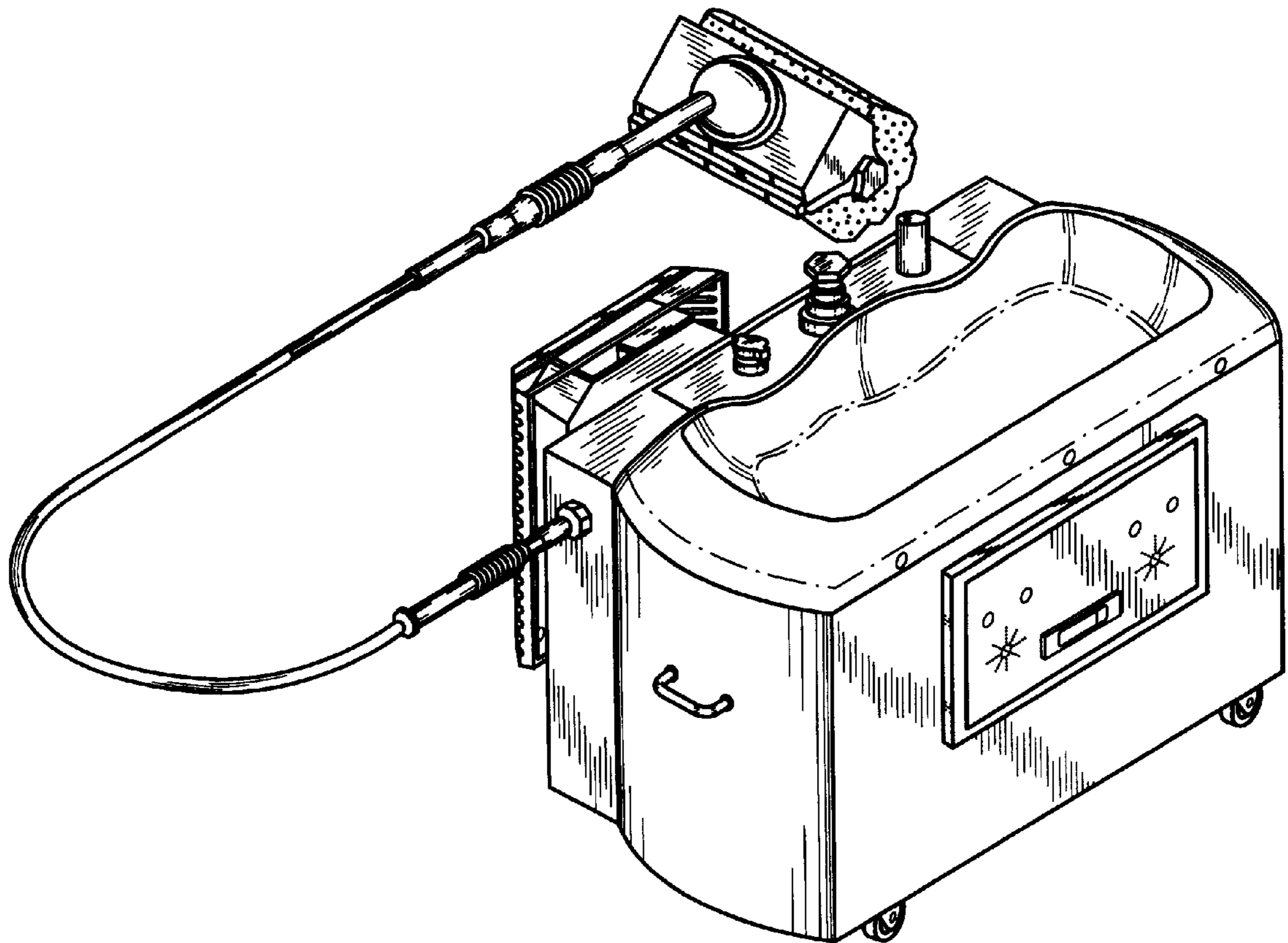
FIG. 4 is a right side view thereof.

FIG. 5 is a left side view thereof.

FIG. 6 is a bottom plan view thereof; and,

FIG. 7 is a rear view thereof.

**1 Claim, 4 Drawing Sheets**



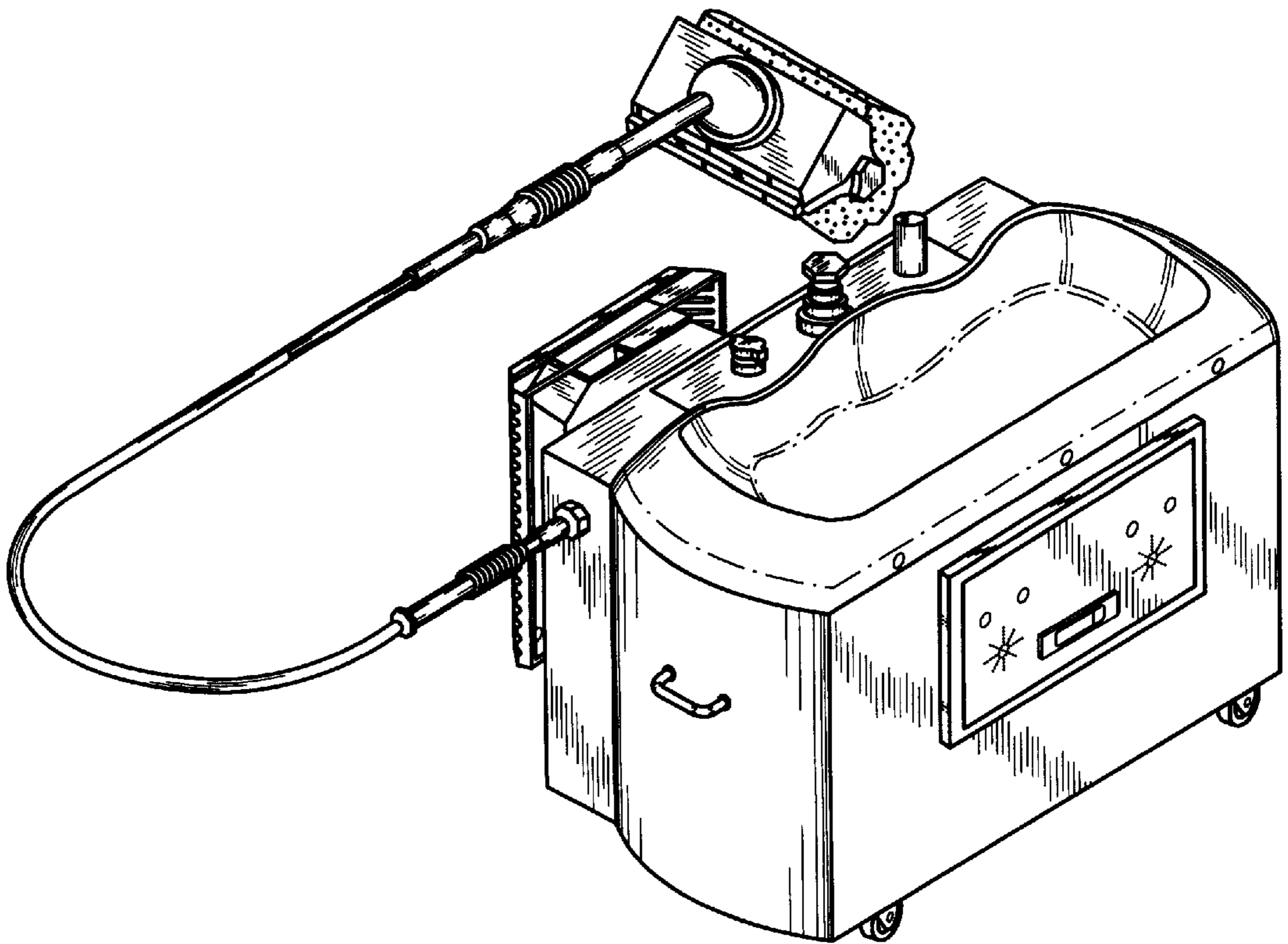


FIG. 1

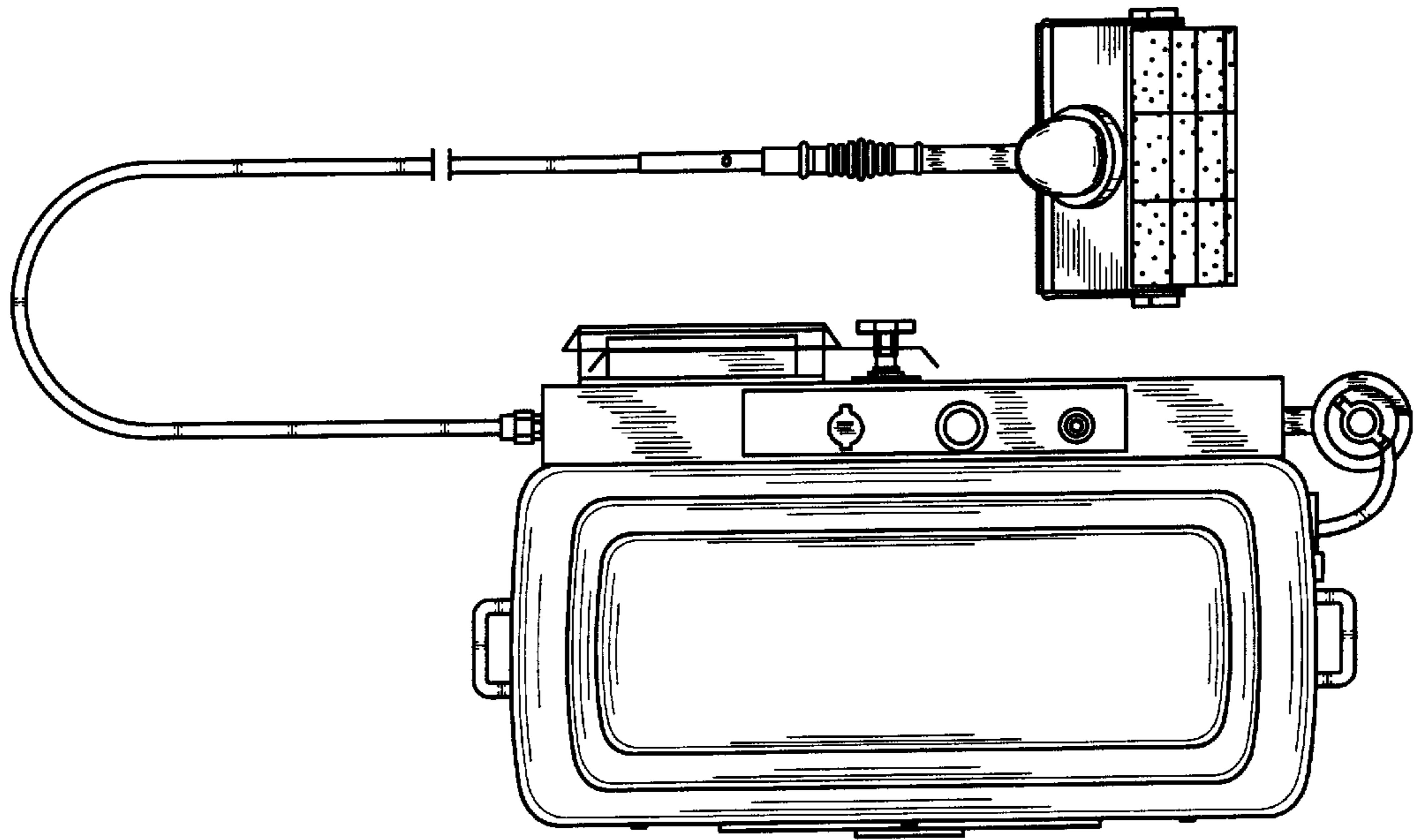


FIG. 2

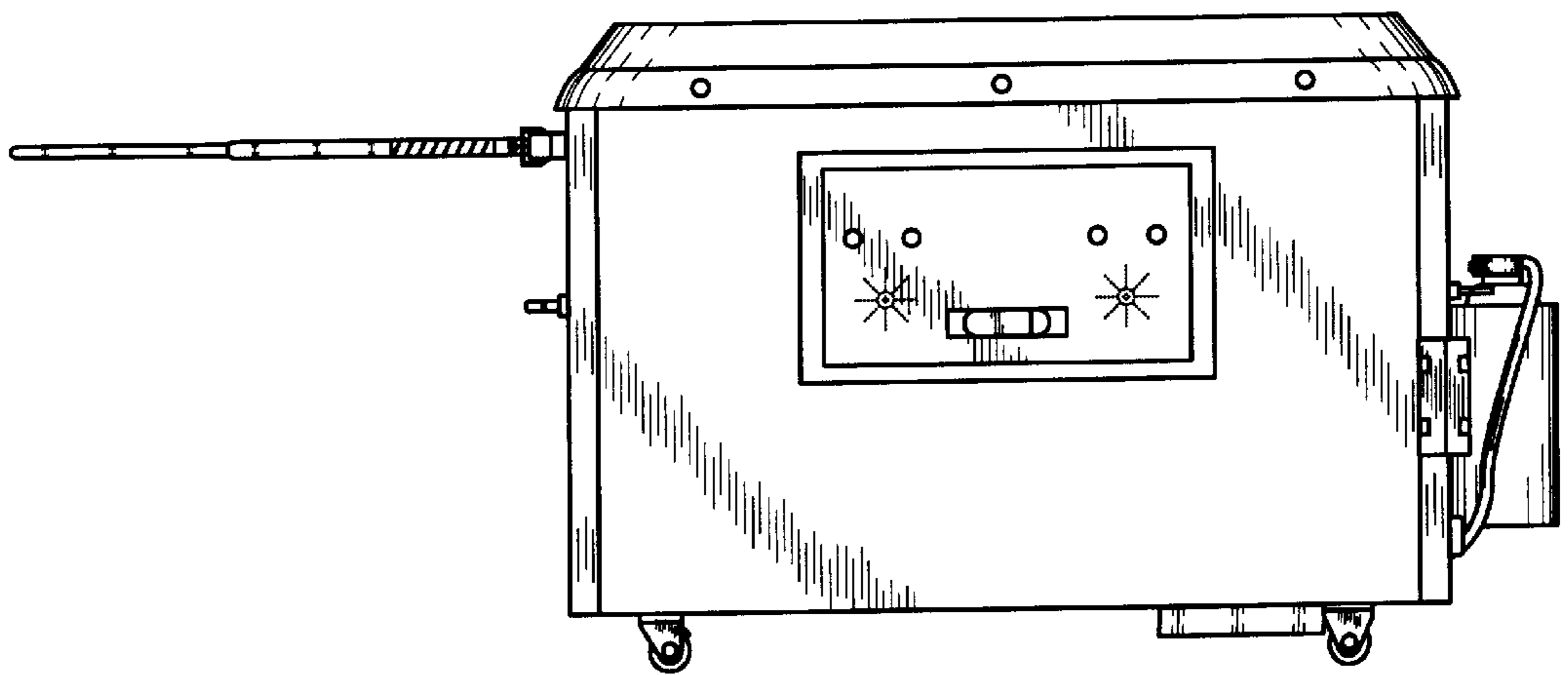


FIG. 3

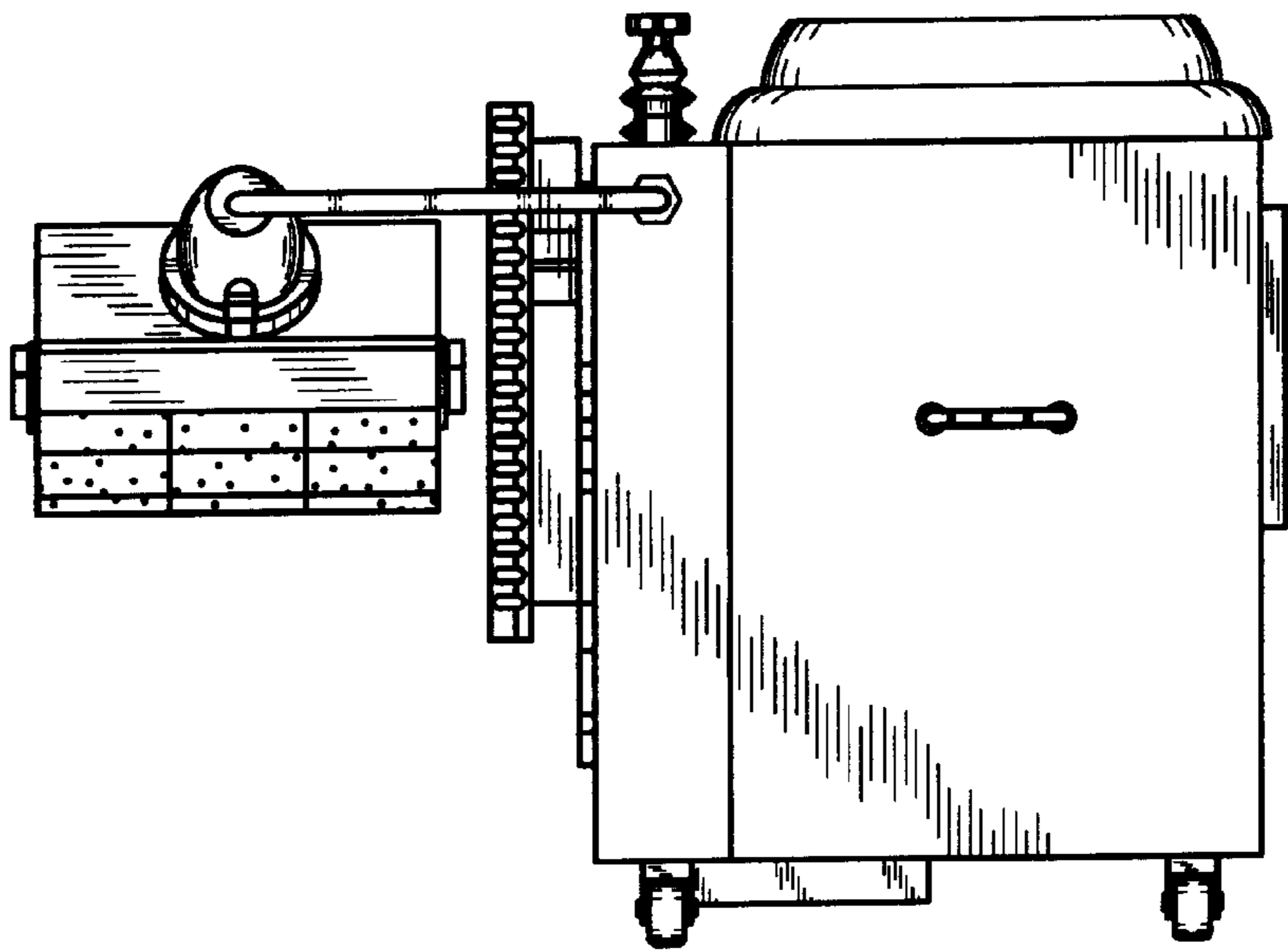


FIG. 4

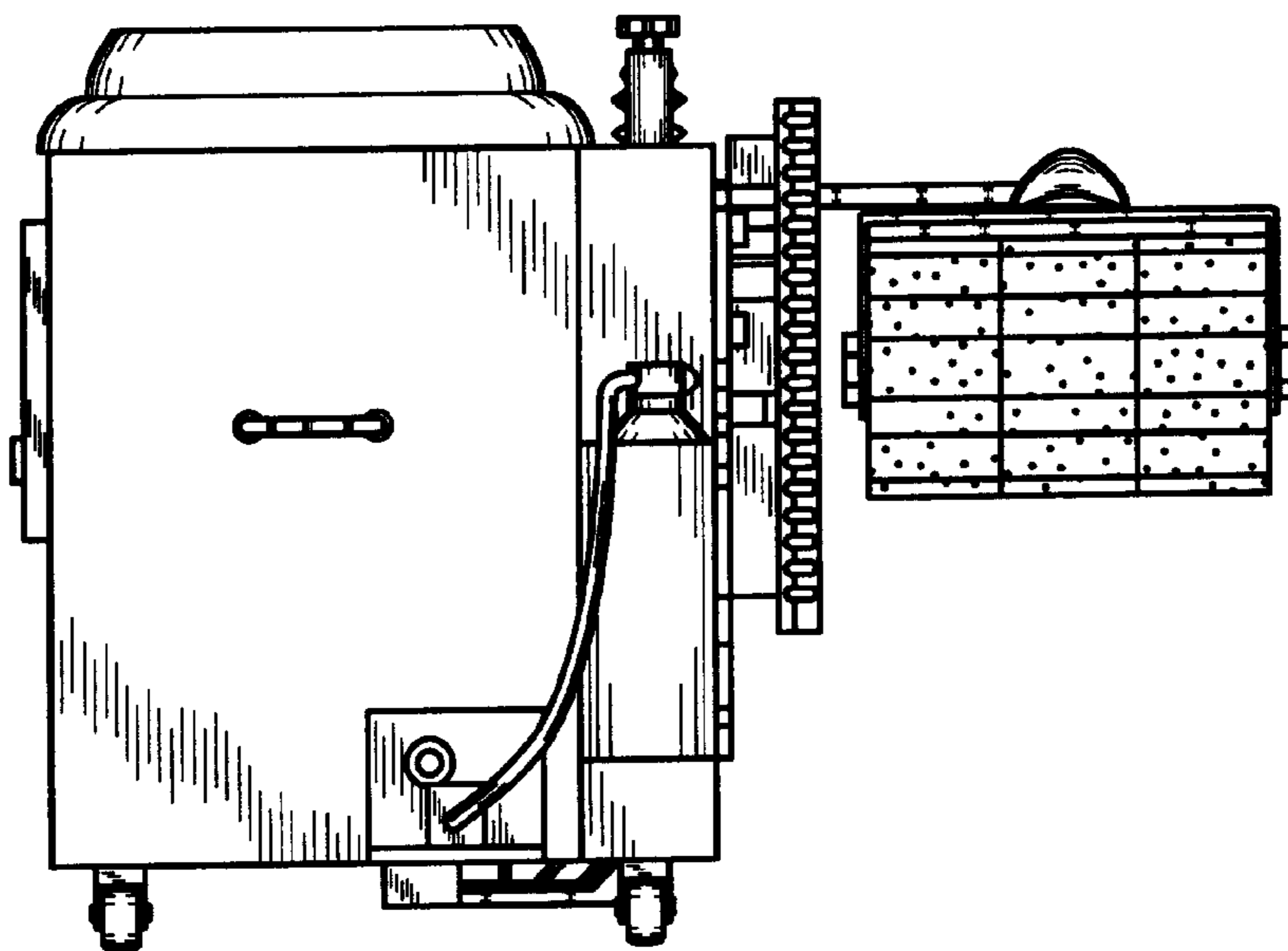


FIG. 5

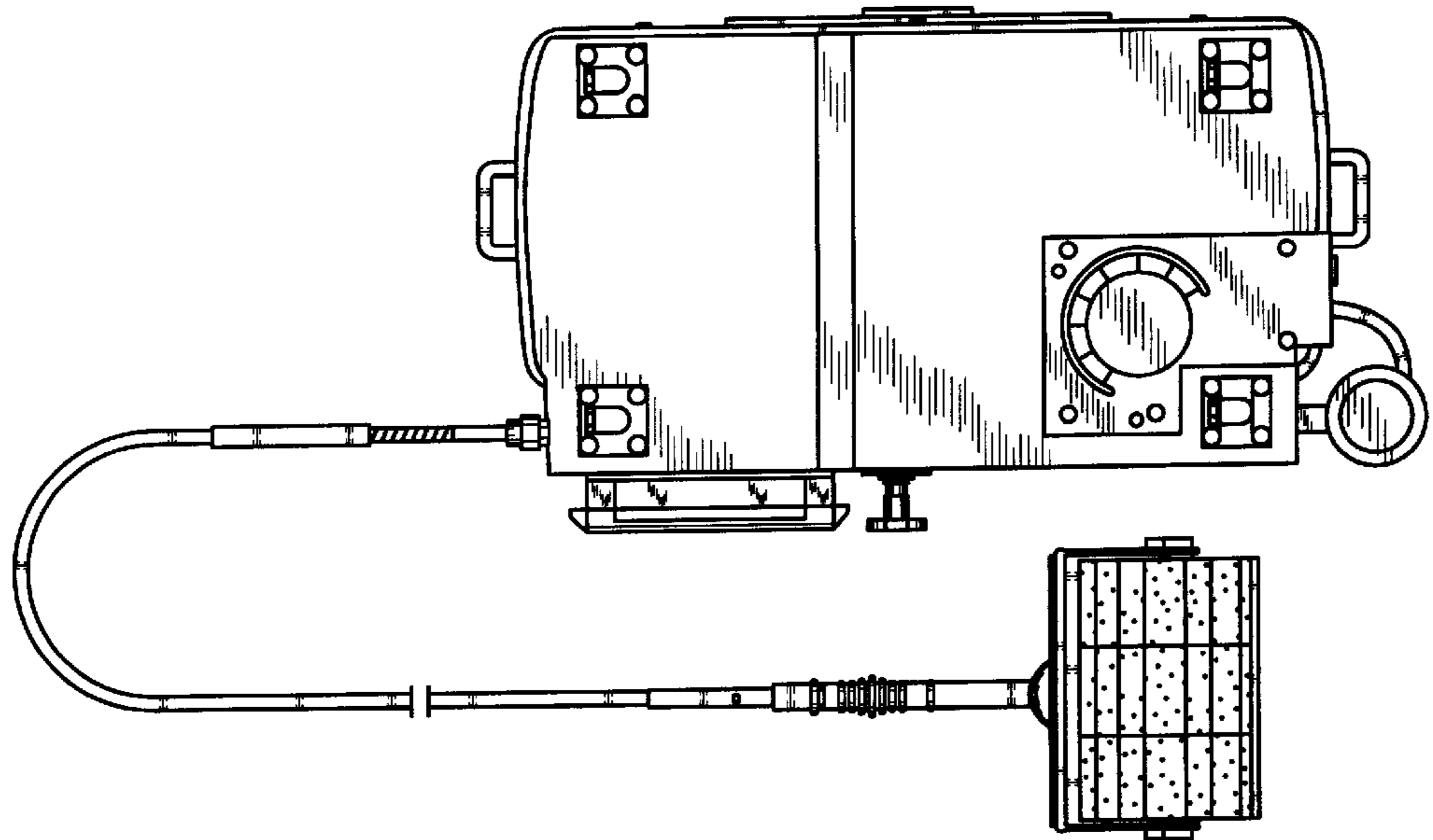


FIG. 6

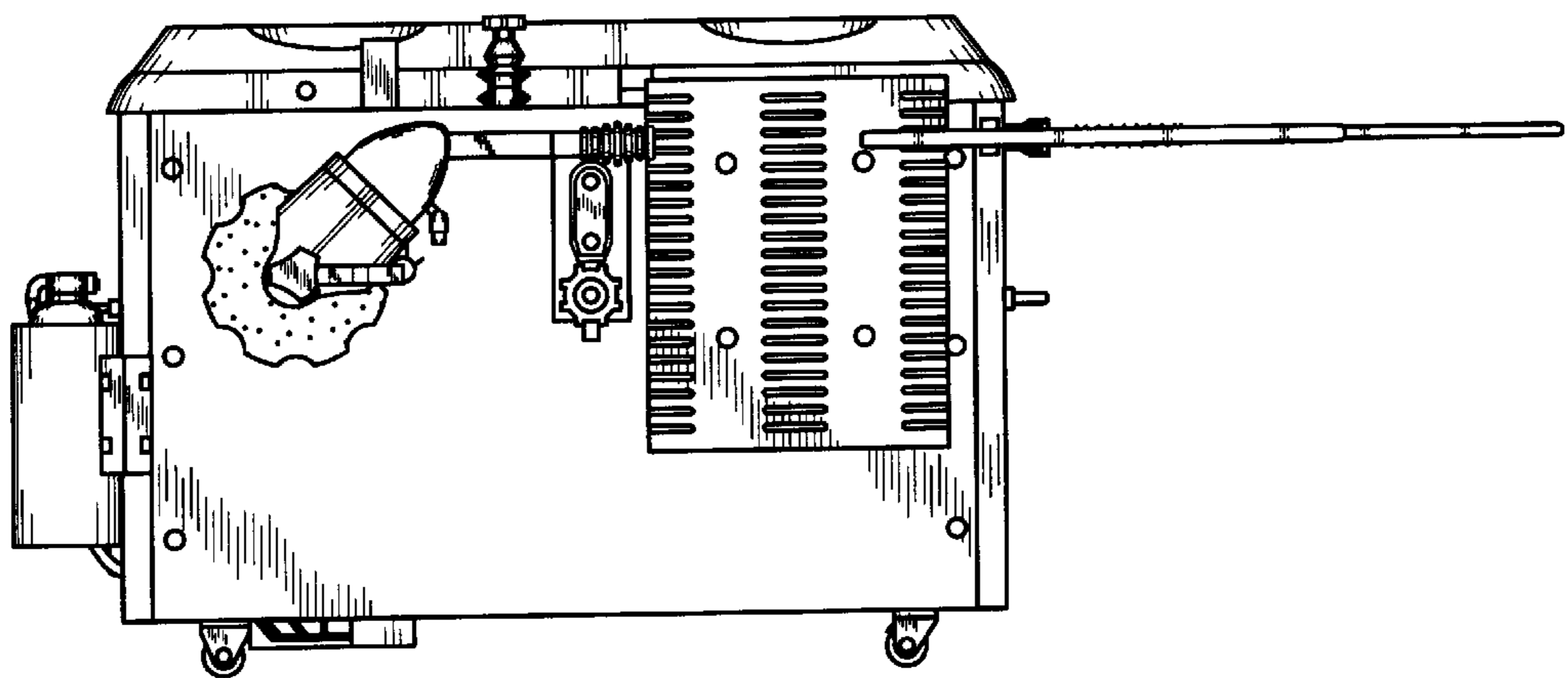


FIG. 7