



US00D436418S

(12) **United States Design Patent**
Porter

(10) **Patent No.:** **US D436,418 S**

(45) **Date of Patent:** **** Jan. 16, 2001**

(54) **CHANDELIER**

(75) **Inventor:** **David H. Porter**, Chagrin Falls, OH
(US)

(73) **Assignee:** **The L. D. Kichler Co.**, Cleveland, OH
(US)

(**) **Term:** **14 Years**

(21) **Appl. No.:** **29/097,836**

(22) **Filed:** **Dec. 15, 1998**

(51) **LOC (7) Cl.** **26-05**

(52) **U.S. Cl.** **D26/80**

(58) **Field of Search** D26/72, 80-92;
362/432, 147

Illuminotecnica Catalog, pp. 11 and 31, dated Sep. 1992.
Design with Lighting Catalog, p. 35, Spread Light Model
6852BK.

Kichler Catalog ©1989, p. 105, Wall Lantern #K-9720.

Progress Lighting catalog, p. 10, ceiling lamp #P4095-10,
Jul. 1994.*

Sea Gull Lighting catalog, p. 83, ceiling lamp #6130, Jan.
1996.*

* cited by examiner

Primary Examiner—Susan J. Lucas

(74) *Attorney, Agent, or Firm*—Watts, Hoffmann, Fisher &
Heinke, Co., L.P.A.

(57) **CLAIM**

I claim the ornamental design for a chandelier, as shown and
described.

(56) **References Cited**

U.S. PATENT DOCUMENTS

D. 300,373	3/1989	Galipeau et al. .
D. 347,905	6/1994	Barbour .
D. 382,079	8/1997	Porter .
D. 383,237	9/1997	Porter .
D. 383,239	9/1997	Porter .
2,786,936	3/1957	Appelton .

OTHER PUBLICATIONS

Progress Lighting Ideas Book, ©1990, p. 1128, Wall Lantern
#P5991-25.

Yamagiwa Catalog No. 3, pp. 140-141 and 254-255, dated
1993-1994.

DESCRIPTION

FIG. 1 is a perspective view of a chandelier showing my new
design;

FIG. 2 is a rear elevational view of the chandelier, the front
elevational view being a mirror image;

FIG. 3 is a left side elevational view of the chandelier;

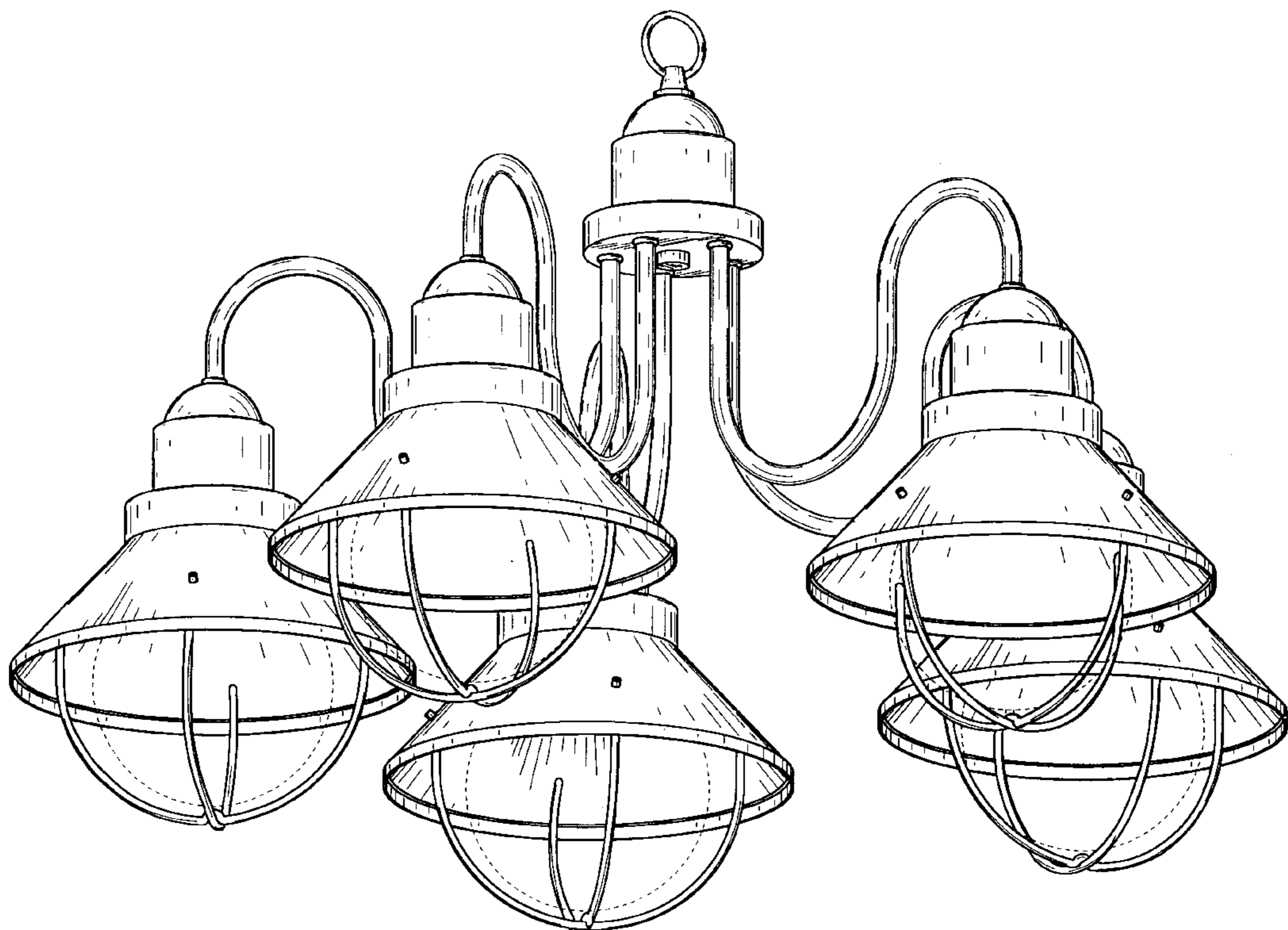
FIG. 4 is a right side elevational view of the chandelier; and

FIG. 5 is a top plan view of the chandelier; and,

FIG. 6 is a bottom plan view of the chandelier.

The broken lines shown are for illustrative purposes only
and form no part of the claimed design.

1 Claim, 6 Drawing Sheets



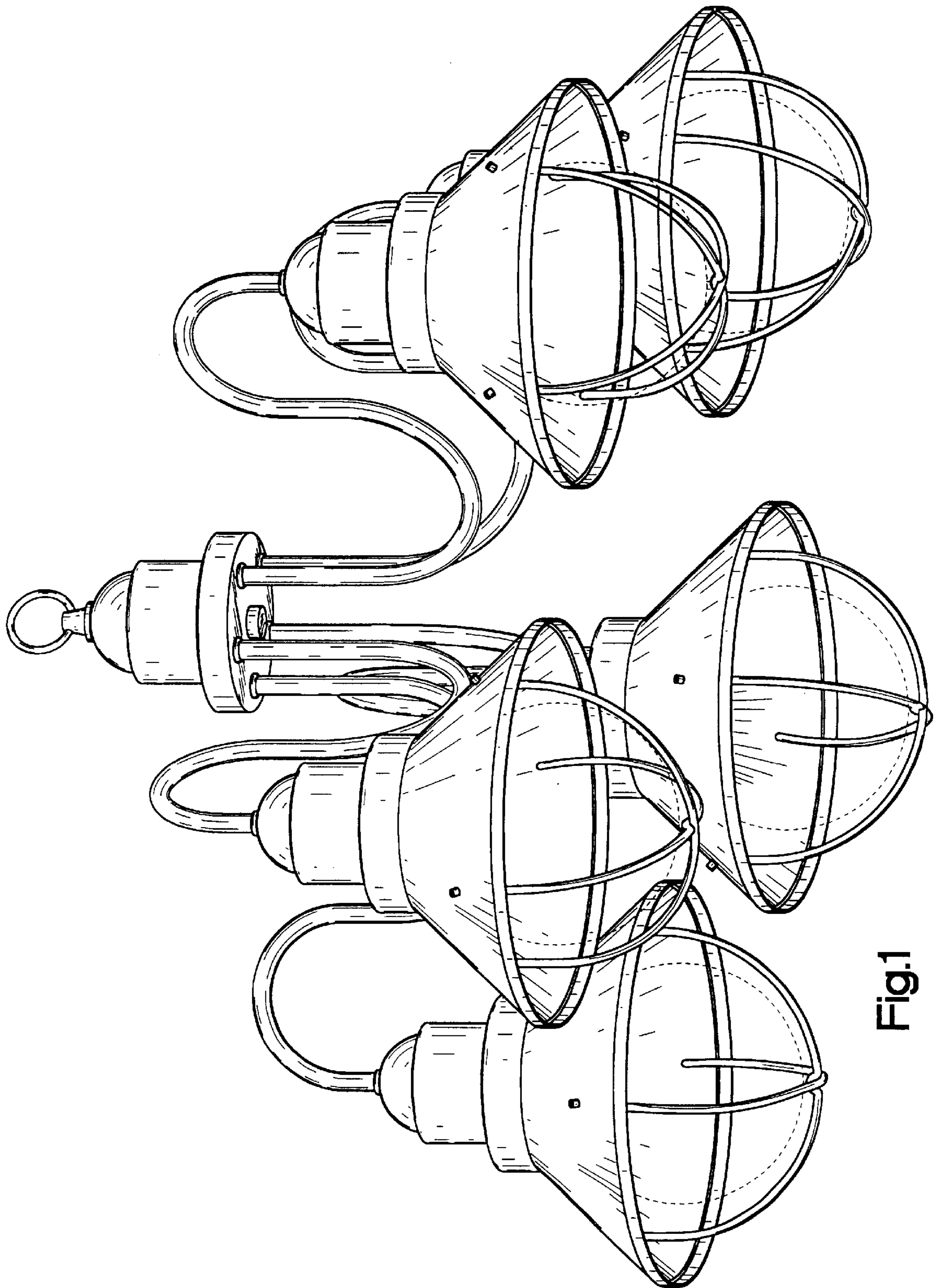


Fig.1

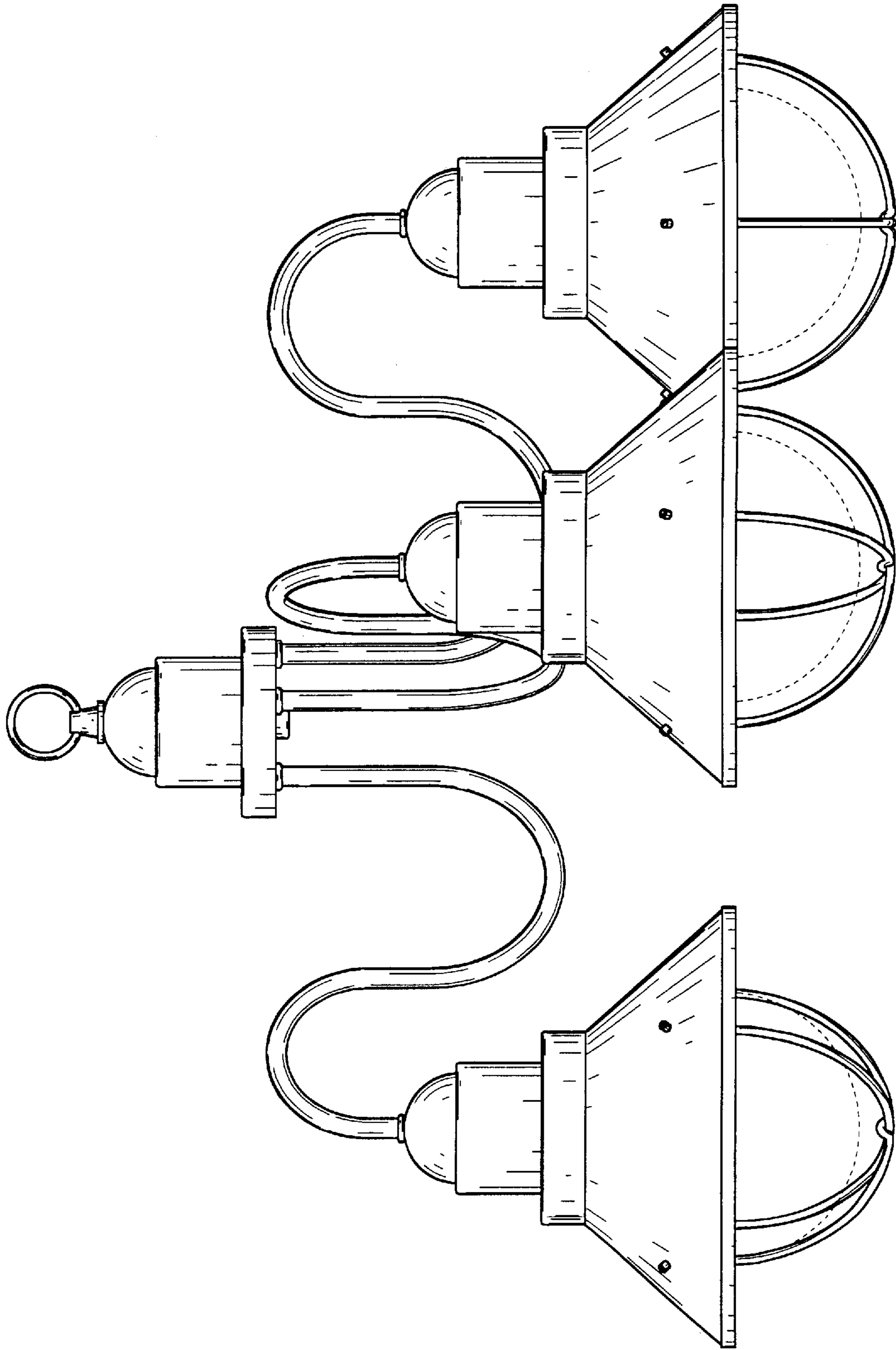


Fig.2

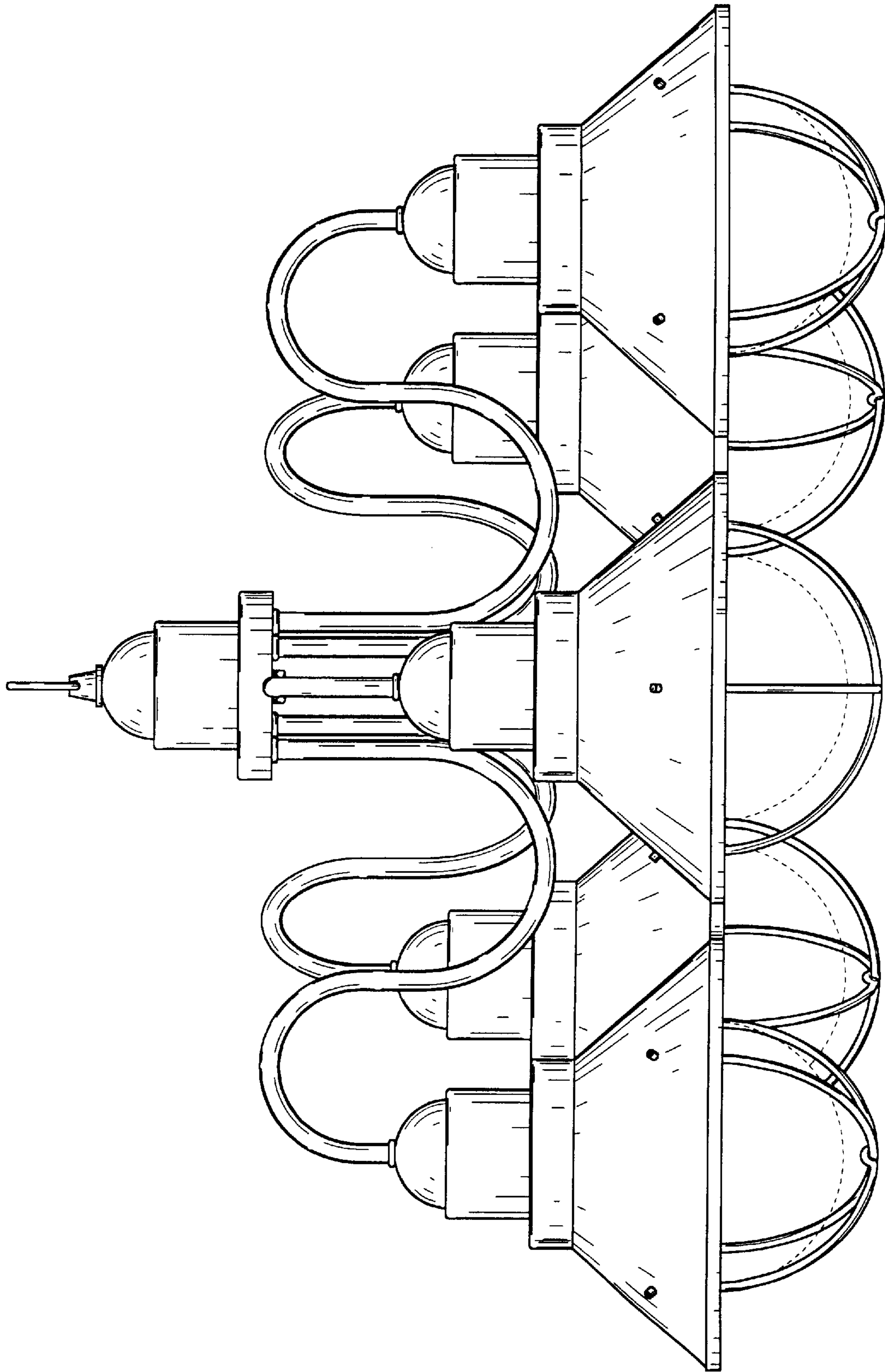


Fig.3

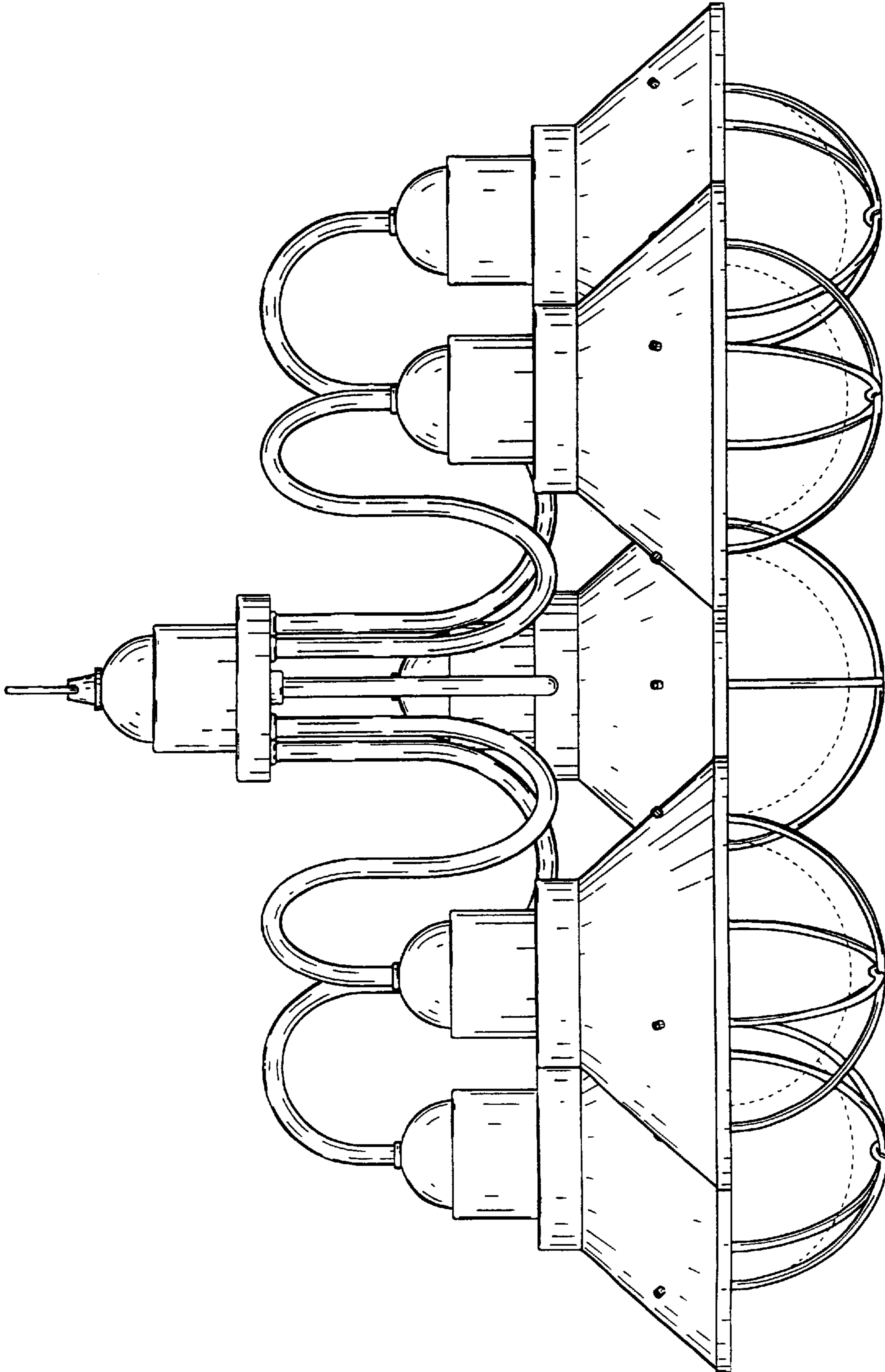


Fig.4

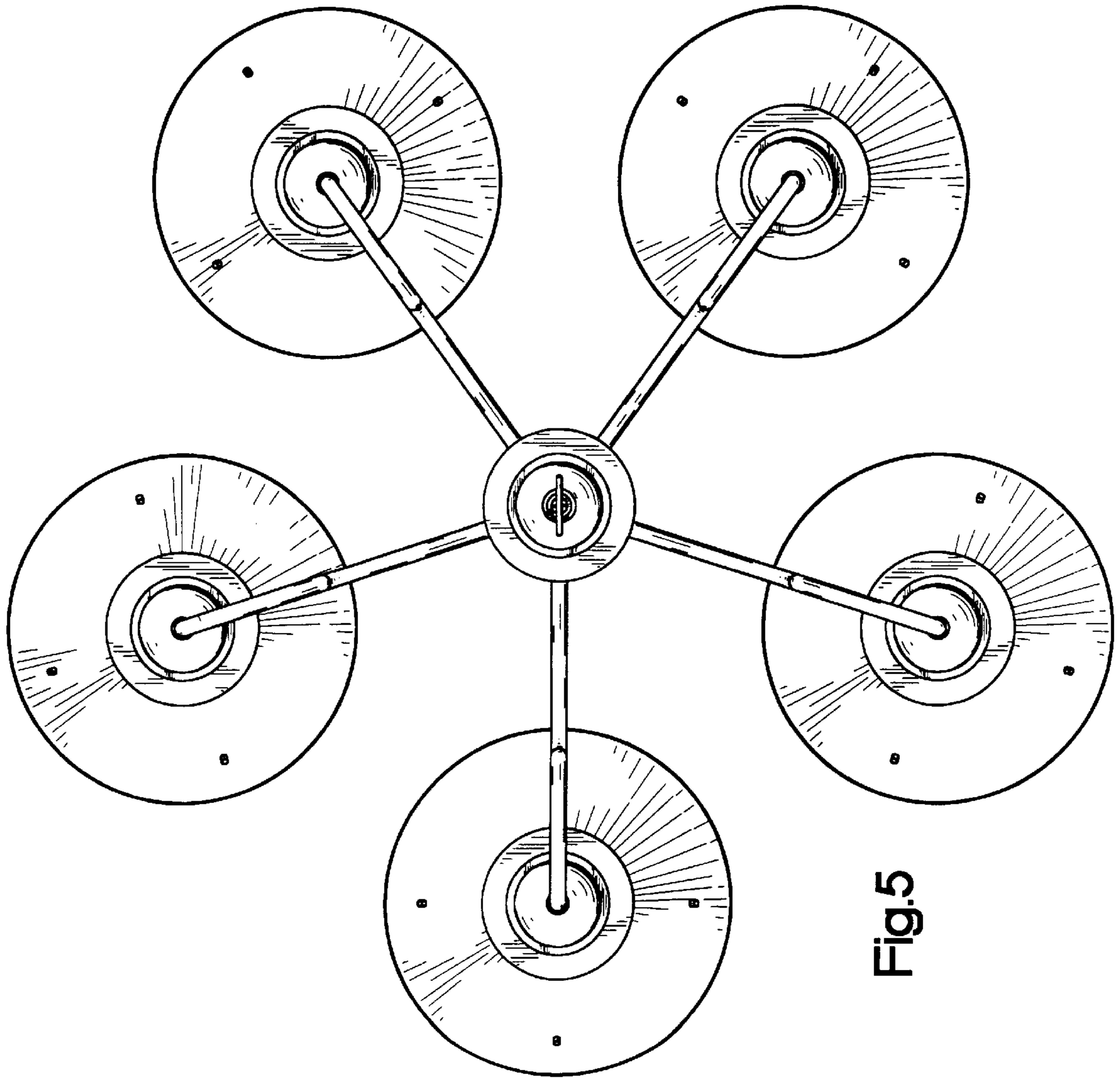


Fig.5

