



US00D436416S

(12) **United States Design Patent** (10) **Patent No.:** **US D436,416 S**
Iu (45) **Date of Patent:** **** Jan. 16, 2001**

(54) **OIL LAMP**

(76) Inventor: **Stephen Iu**, 4637 E. Side Ave., Dallas, TX (US) 75226

(**) Term: **14 Years**

(21) Appl. No.: **29/121,527**

(22) Filed: **Apr. 7, 2000**

(51) **LOC (7) Cl.** **26-01**

(52) **U.S. Cl.** **D26/11**

(58) **Field of Search** D26/6, 7, 9-11; 431/125, 298, 420, 411; 362/161-163, 351

(56) **References Cited**

U.S. PATENT DOCUMENTS

- D. 345,224 * 3/1994 Boss D26/11
- D. 359,572 * 6/1995 Caplette D26/11
- D. 406,366 * 3/1999 Joergensen D26/11

OTHER PUBLICATIONS

Illuminations brochure; item c Omni 5"; p. 29, 1996.*
Illuminations brochure, items c,f,g ; p. 24, 1997.*

* cited by examiner

Primary Examiner—Robin V. Taylor

(74) *Attorney, Agent, or Firm*—Jackson Walker, LLP

(57) **CLAIM**

The ornamental design for an oil lamp, as shown and described.

DESCRIPTION

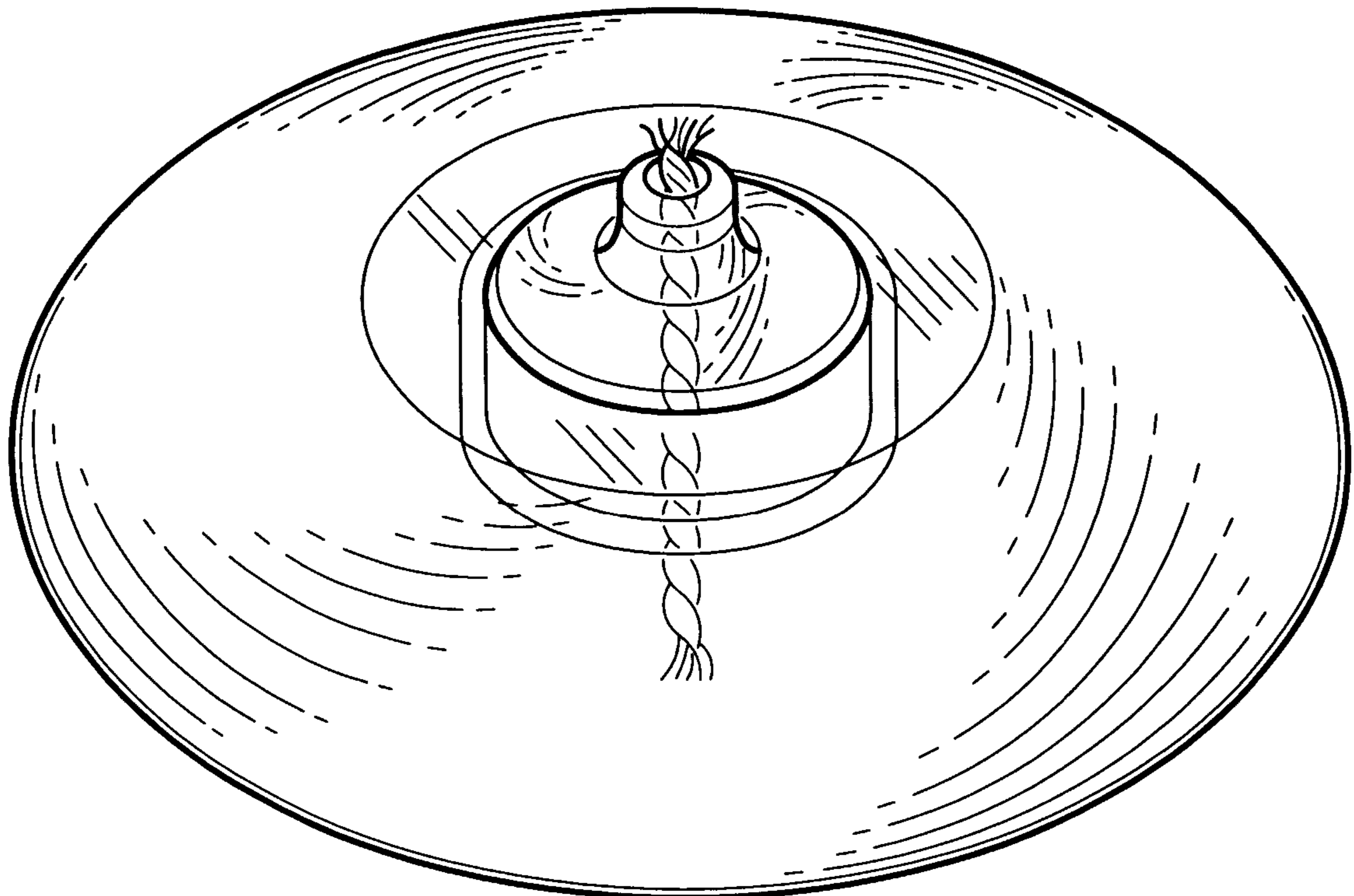
The claimed oil lamp is made of heat resistant material such as glass, for example.

FIG. 1 is a perspective view of an oil lamp showing my new design having a wick holder and a wick extending into an oil reservoir;

FIG. 2 is an elevational cross sectional view taken along line 2—2 of FIG. 1; and,

FIG. 3 is an exploded perspective view of FIG. 1 with the wick and wick holder removed from the oil reservoir.

1 Claim, 1 Drawing Sheet



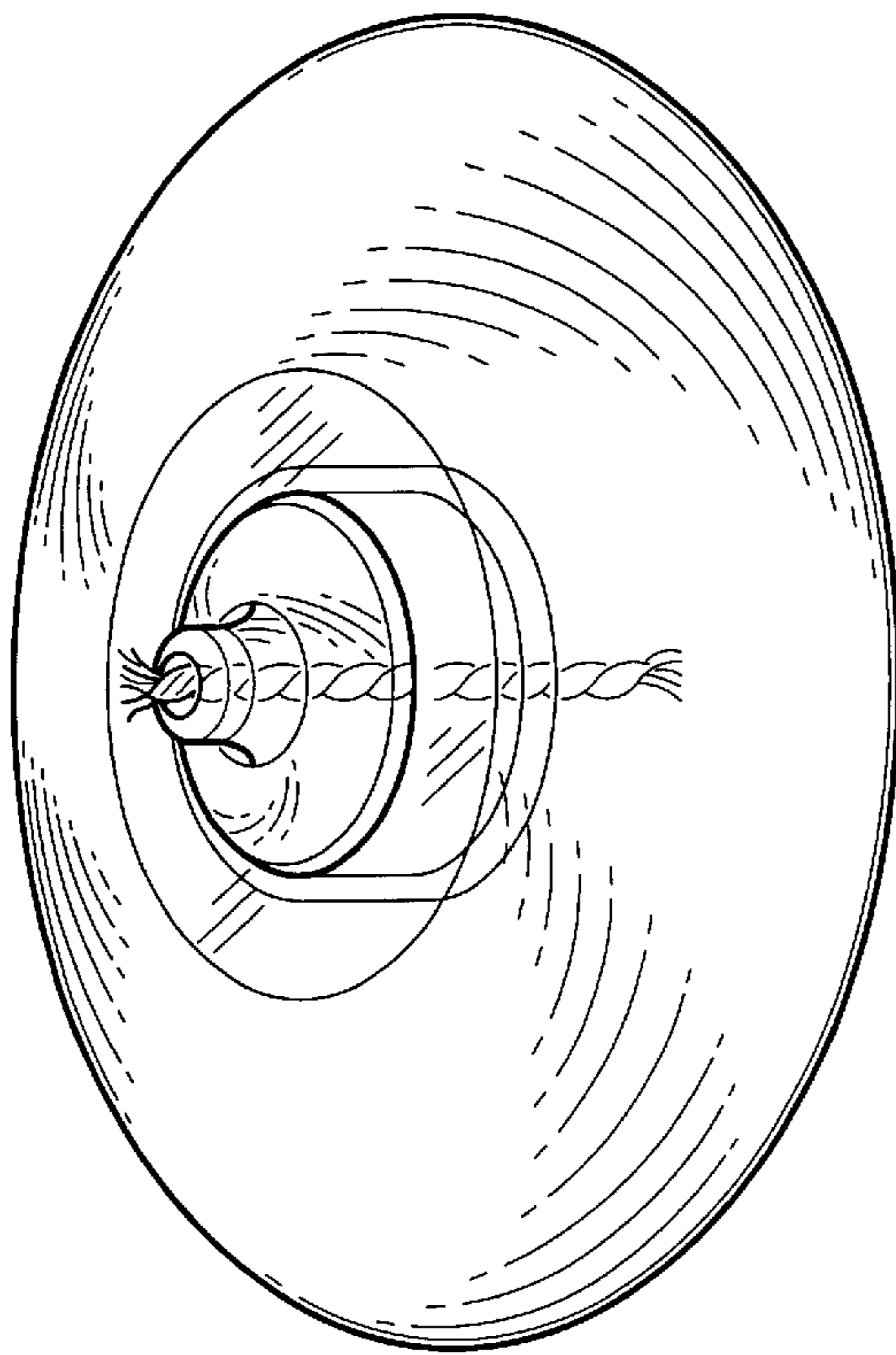


FIG. 1

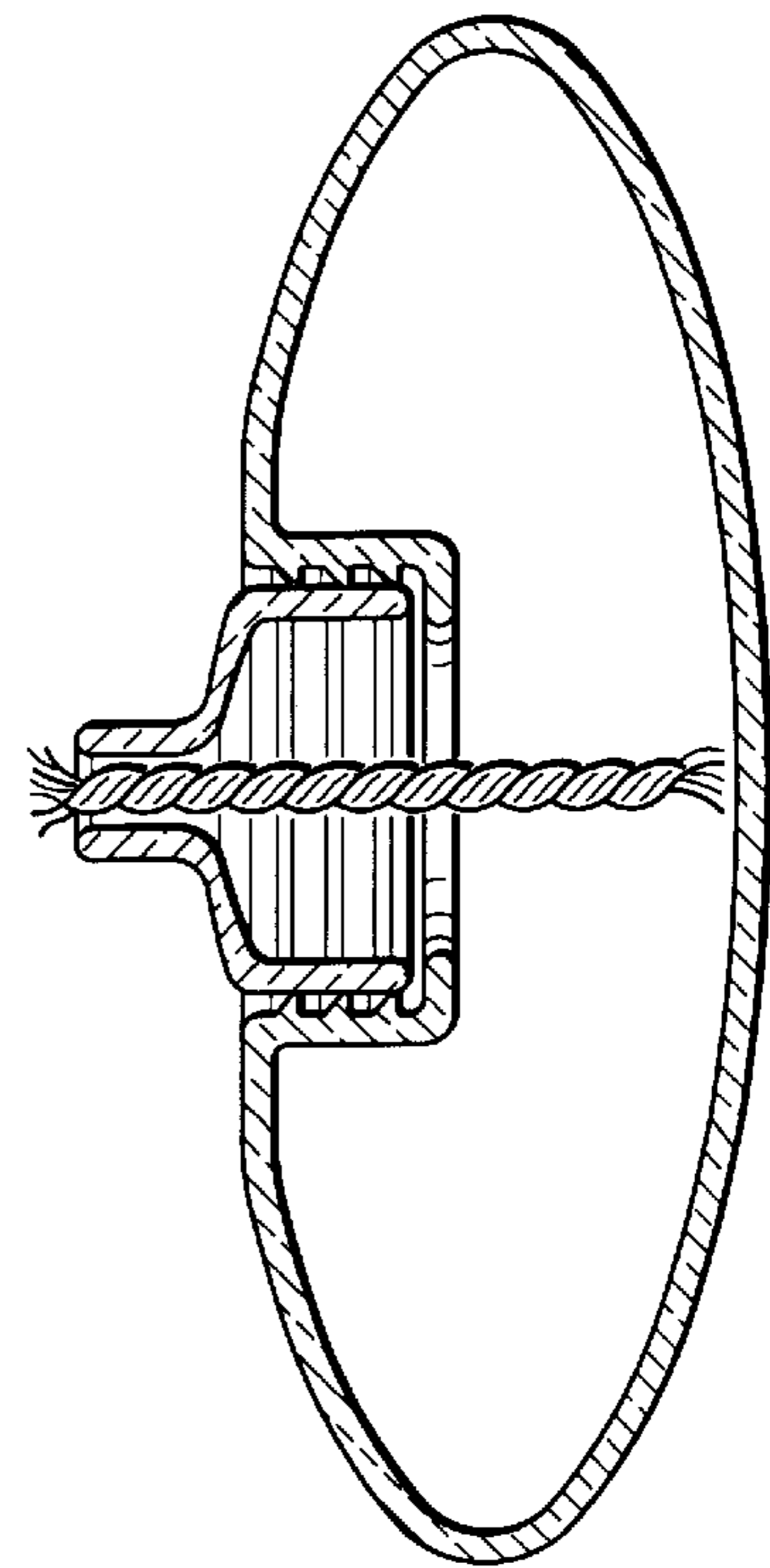


FIG. 2

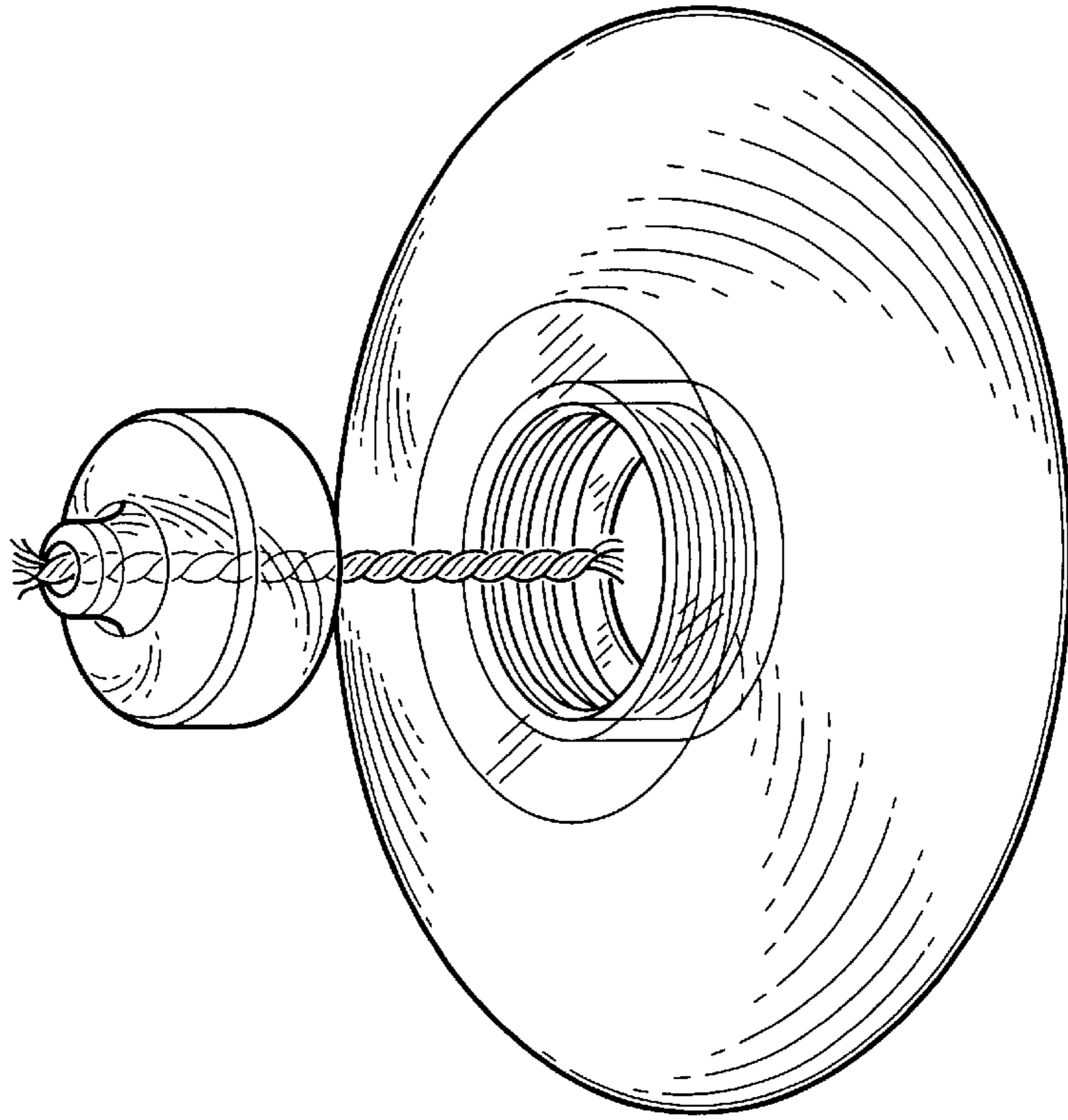


FIG. 3