



US00D436408S

(12) **United States Design Patent**  
**Ballard et al.**

(10) **Patent No.:** **US D436,408 S**

(45) **Date of Patent:** **\*\* Jan. 16, 2001**

(54) **WINDOW FRAME EXTRUSION**

D. 384,427 \* 9/1997 Jarrell ..... D25/124

(75) Inventors: **Christopher R. Ballard; Jonathan C. Hauberg**, both of Beaver creek, OH (US)

\* cited by examiner

(73) Assignee: **Dayton Technologies, Inc.**, Monroe, OH (US)

*Primary Examiner*—Doris Clark

(74) *Attorney, Agent, or Firm*—Jacox, Meckstroth & Jenkins

(\*\*) Term: **14 Years**

(57) **CLAIM**

(21) Appl. No.: **29/122,750**

The ornamental design of a window frame extrusion, as shown and described.

(22) Filed: **May 2, 2000**

**DESCRIPTION**

(51) **LOC (7) Cl.** ..... **25-01**

(52) **U.S. Cl.** ..... **D25/124**

(58) **Field of Search** ..... D25/52, 60, 119-125; 49/504, 505, DIG. 2; 52/204.5, 730.3, 730.4, 730.5, 204.1, 202, 731, 732

FIG. 1 is a front perspective view of a window frame extrusion, showing our new design, with a middle portion broken away to disclose indefinite length; and,

FIG. 2 is an end view thereof, the opposite end view being a mirror image.

(56) **References Cited**

**U.S. PATENT DOCUMENTS**

D. 375,370 \* 11/1996 DiGiorgio ..... D25/124

**1 Claim, 1 Drawing Sheet**

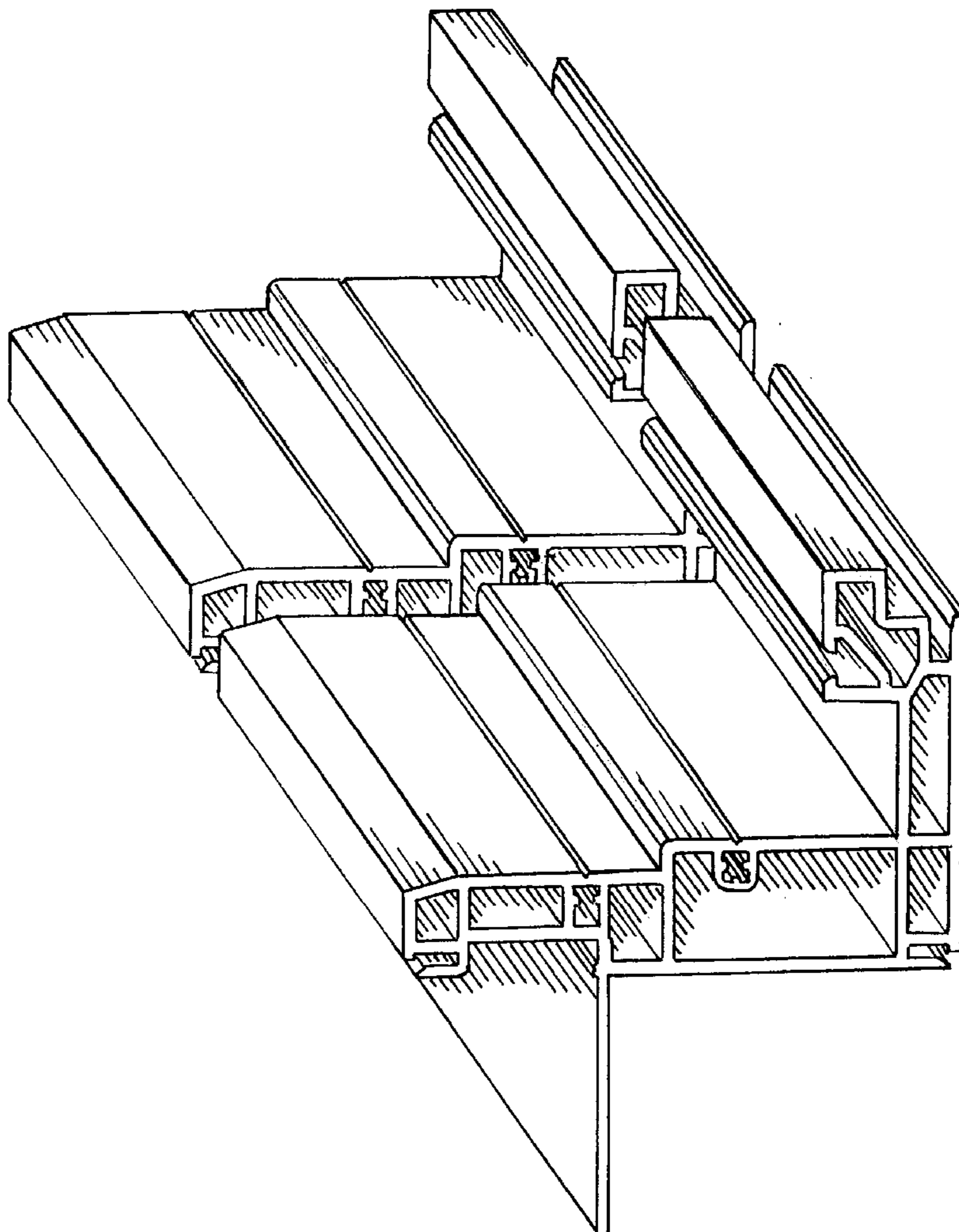


FIG-1

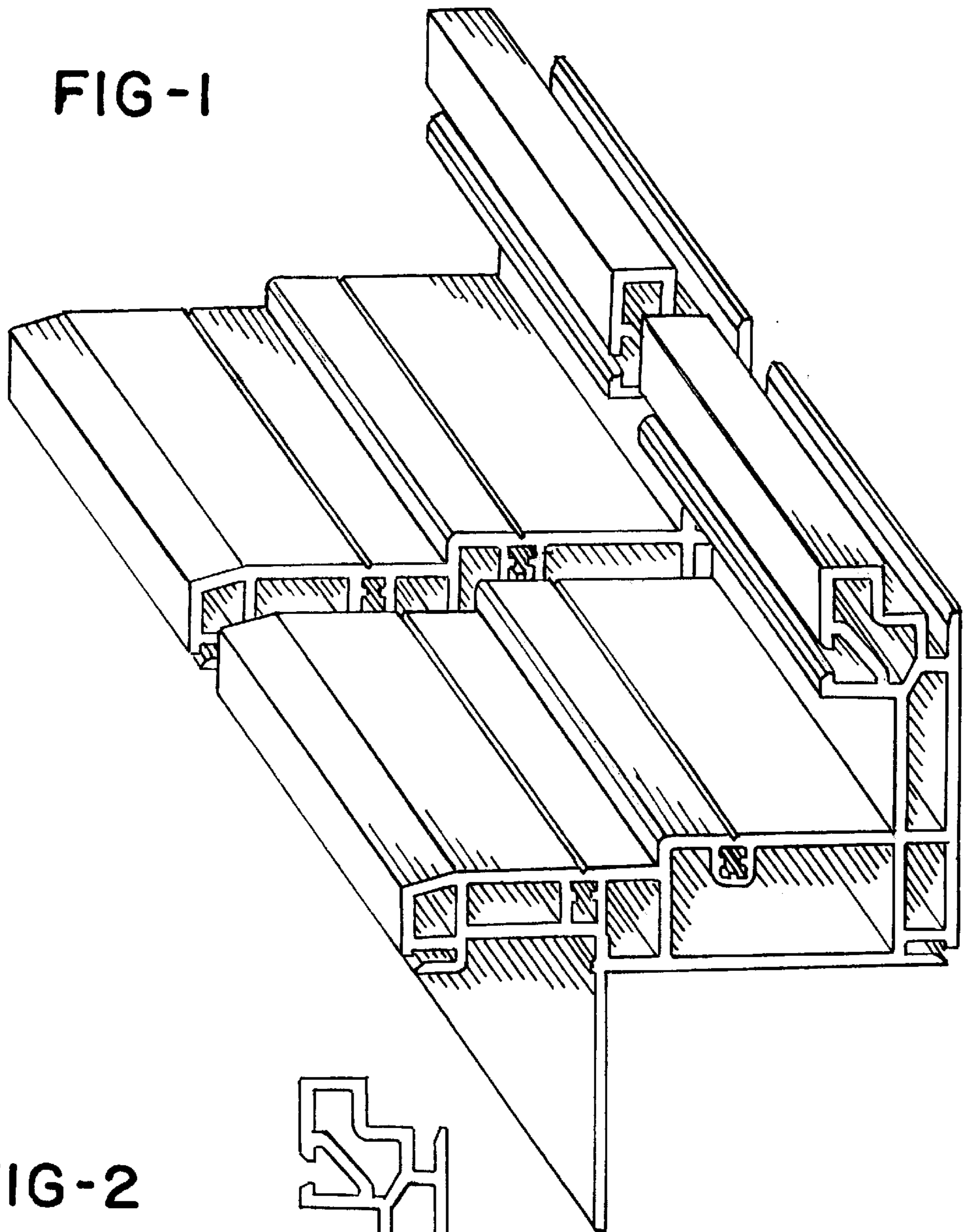


FIG-2

