



US00D436407S

(12) **United States Design Patent**
Morton et al.

(10) **Patent No.:** **US D436,407 S**

(45) **Date of Patent:** **** Jan. 16, 2001**

(54) **WINDOW FRAME EXTRUSION**

(75) Inventors: **Philip G. Morton**, Germantown;
Christopher R. Ballard; Jonathan C. Hauberg, both of Beaver creek, all of OH (US)

(73) Assignee: **Dayton Technologies, Inc.**, Monroe, OH (US)

(**) Term: **14 Years**

(21) Appl. No.: **29/122,749**

(22) Filed: **May 2, 2000**

(51) **LOC (7) Cl.** **25-01**

(52) **U.S. Cl.** **D25/124**

(58) **Field of Search** D25/52, 60, 119-125;
49/504, 505, DIG. 2; 52/204.5, 730.3, 730.4,
730.5, 204.1, 202, 731, 732

(56) **References Cited**

U.S. PATENT DOCUMENTS

D. 375,370 * 11/1996 DiGiorgio D25/124

* cited by examiner

Primary Examiner—Doris Clark

(74) *Attorney, Agent, or Firm*—Jacox, Meckstroth & Jenkins

(57) **CLAIM**

The ornamental design of a window frame extrusion, as shown and described.

DESCRIPTION

FIG. 1 is a front perspective view of a window frame extrusion, showing our new design, with a middle portion broken away to disclose indefinite length; and, FIG. 2 is an end view thereof, the opposite end view being a mirror image.

1 Claim, 1 Drawing Sheet

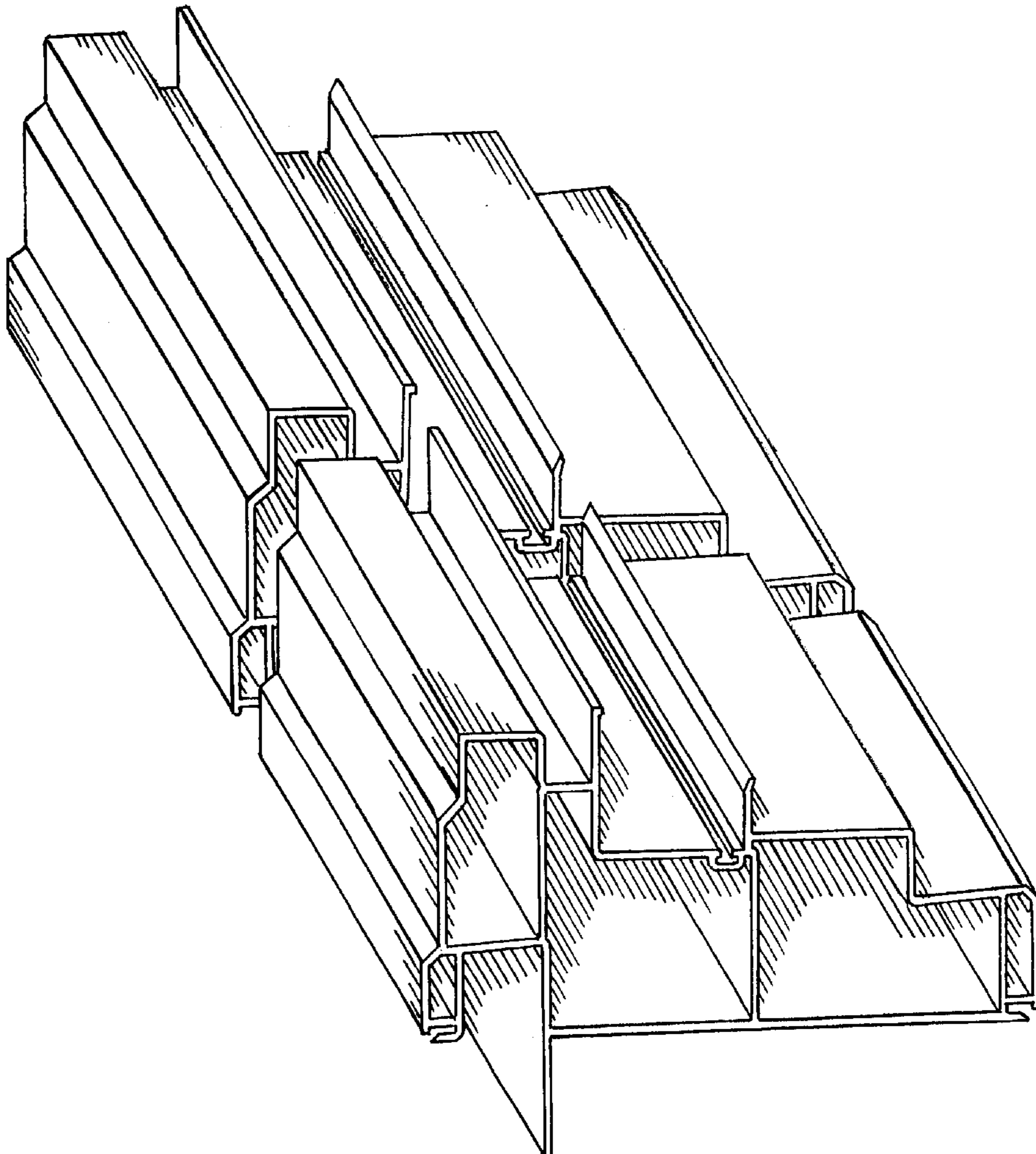


FIG-1

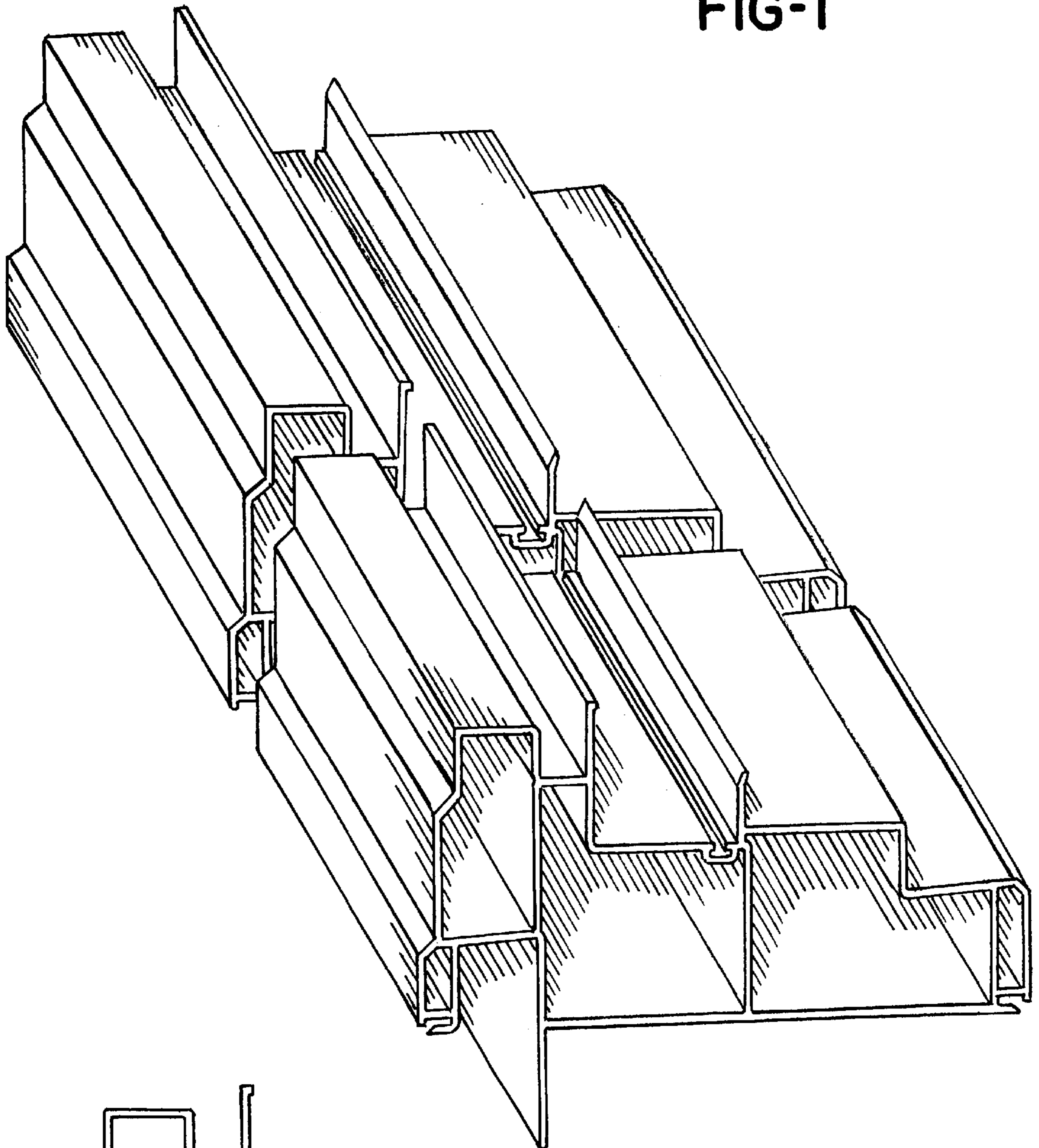


FIG-2

