



US00D436404S

(12) United States Design Patent
Ballard et al.

(10) Patent No.: US D436,404 S

(45) Date of Patent: ** Jan. 16, 2001

(54) WINDOW FRAME EXTRUSION

D. 381,094 * 7/1997 DiGiorgio D25/124

(75) Inventors: Christopher R. Ballard; Jonathan C. Hauberg, both of Beavercreek; Philip G. Morton, Germantown, all of OH (US)

* cited by examiner

(73) Assignee: Dayton Technologies, Inc., Monroe, OH (US)

Primary Examiner—Doris Clark
(74) Attorney, Agent, or Firm—Jacox, Meckstroth & Jenkins

() Term: 14 Years**

(57) CLAIM

(21) Appl. No.: 29/122,741

The ornamental design of a window frame extrusion, as shown and described.

(22) Filed: May 2, 2000

DESCRIPTION

(51) LOC (7) Cl. 25-01

(52) U.S. Cl. D25/124

(58) Field of Search D25/52, 60, 119-125; 49/DIG. 2, 504, 505, 404, 413, 419, 407-408; 52/204.56, 204.51, 230.3, 205.1, 202, 730.5, 731, 732, 738, 204.5

FIG. 1 is a front perspective view of a window frame extrusion, showing our new design, with a middle portion broken away to disclose indefinite length; and,

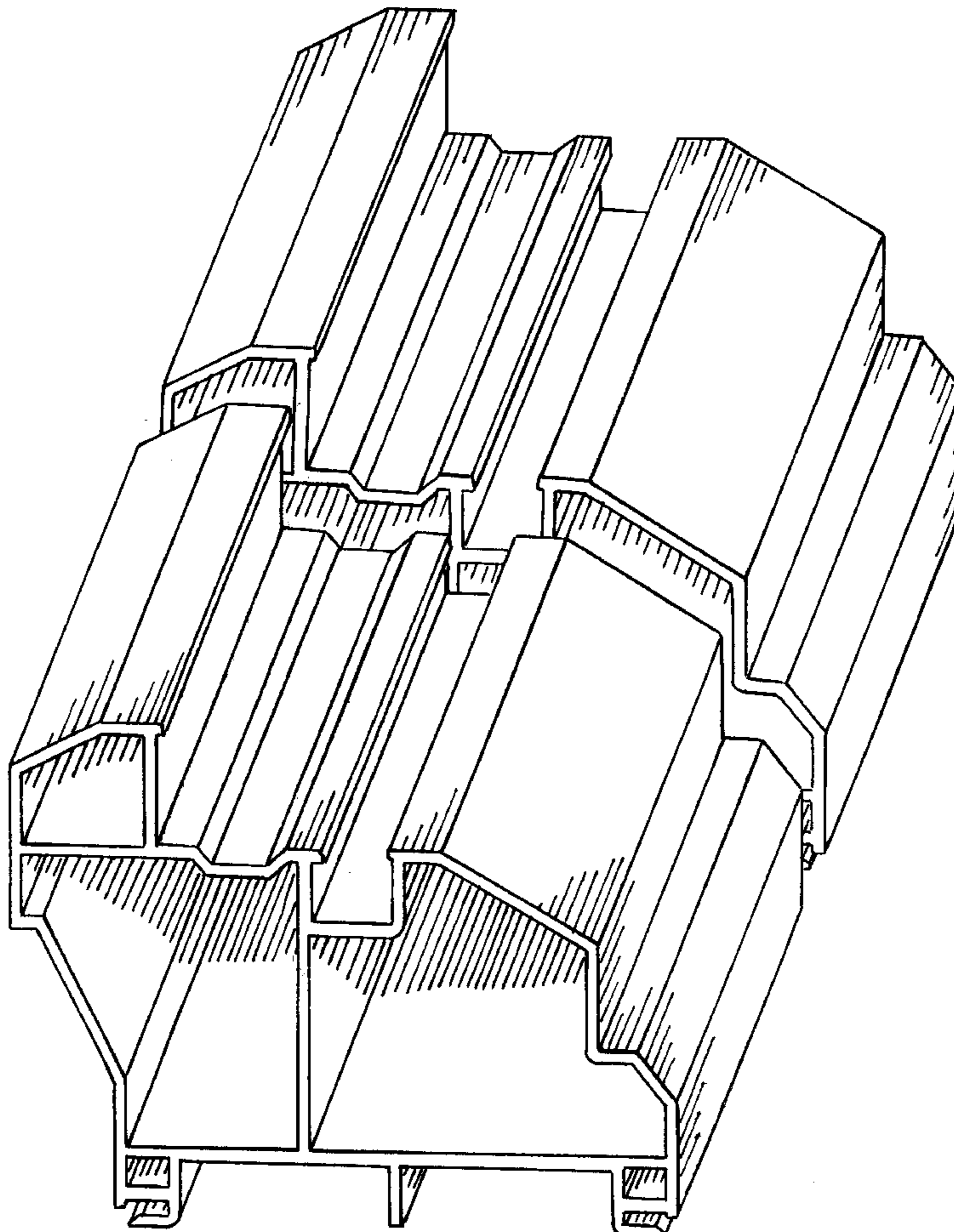
FIG. 2 is an end view thereof, the opposite end view being a mirror image.

(56) References Cited

U.S. PATENT DOCUMENTS

D. 375,806 * 11/1996 Goss D25/124

1 Claim, 1 Drawing Sheet



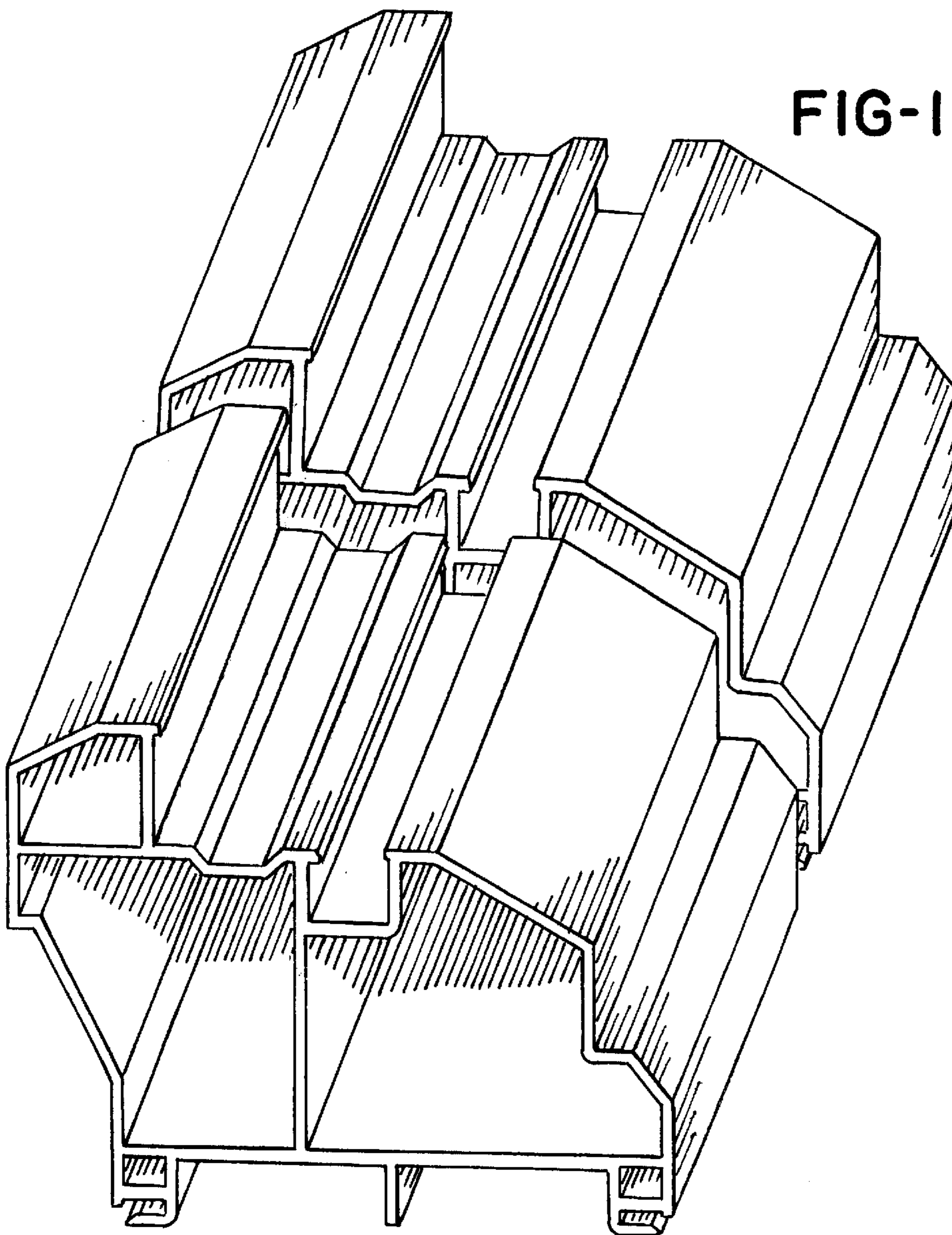


FIG-1

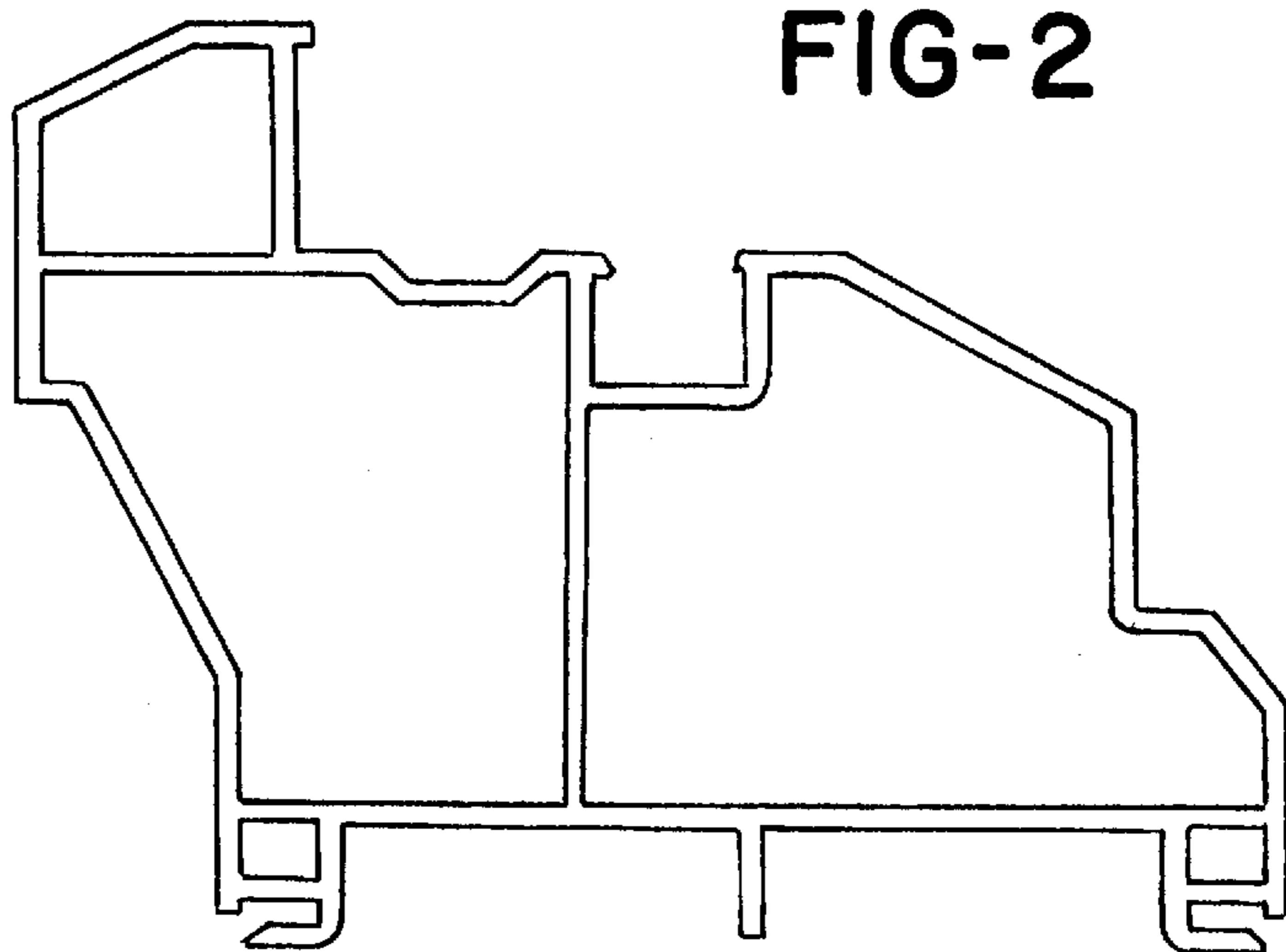


FIG-2