



US00D436401S

(12) **United States Design Patent**
Remes et al.

(10) **Patent No.: US D436,401 S**
(45) **Date of Patent: ** Jan. 16, 2001**

(54) **COMBINED STORAGE AND DELIVERY
CONTAINER SYSTEM FOR A BREATHABLE
GAS**

D. 412,577 * 8/1999 Mickelson et al. D24/164
3,672,129 * 6/1972 Strople et al. 55/270
4,409,978 * 10/1983 Bartos 128/205.12
4,788,973 * 12/1988 Kirchgeorg et al. 128/204.18

(75) Inventors: **Richard Scott Remes**, Chesterfield,
MO (US); **Leonardo S. Toma**,
Indianapolis; **Mark Robert Frye**,
Bloomington, both of IN (US);
Timothy John Payne, Santa Ana, CA
(US)

* cited by examiner

Primary Examiner—Stella Reid
(74) *Attorney, Agent, or Firm*—Rothwell, Figg, Ernst &
Manbeck

(73) Assignee: **Mallinckrodt Inc.**, St. Louis, MO (US)

(57) **CLAIM**

(**) Term: **14 Years**

The ornamental for a combined storage and delivery con-
tainer system for a breathable gas, as shown and described.

(21) Appl. No.: **29/113,054**

DESCRIPTION

(22) Filed: **Oct. 29, 1999**

(51) **LOC (7) Cl.** **24-04**

(52) **U.S. Cl.** **D24/164**

(58) **Field of Search** D24/164; 128/204.18,
128/205.24, 205.25, 205.12

FIG. 1 is a front elevational view of the invention.
FIG. 2 is a side elevational view of the invention.
FIG. 3 is an opposite side elevational view of the invention.
FIG. 4 is a rear elevational view of the invention.
FIG. 5 is a perspective view of the invention; and,
FIG. 6 is a top elevational view of the invention.

(56) **References Cited**

U.S. PATENT DOCUMENTS

D. 329,288 * 9/1992 Miller et al. D24/164

1 Claim, 6 Drawing Sheets

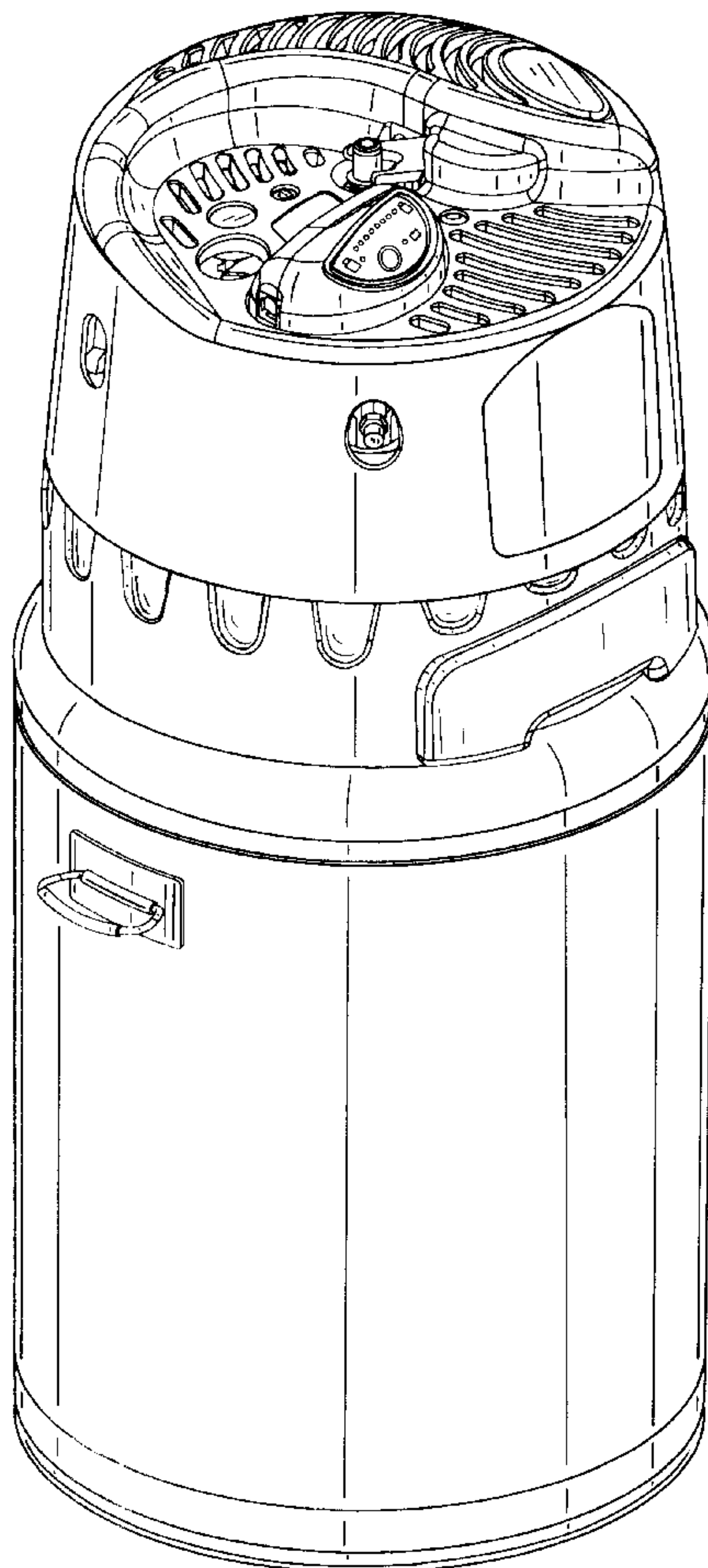


FIG. 1

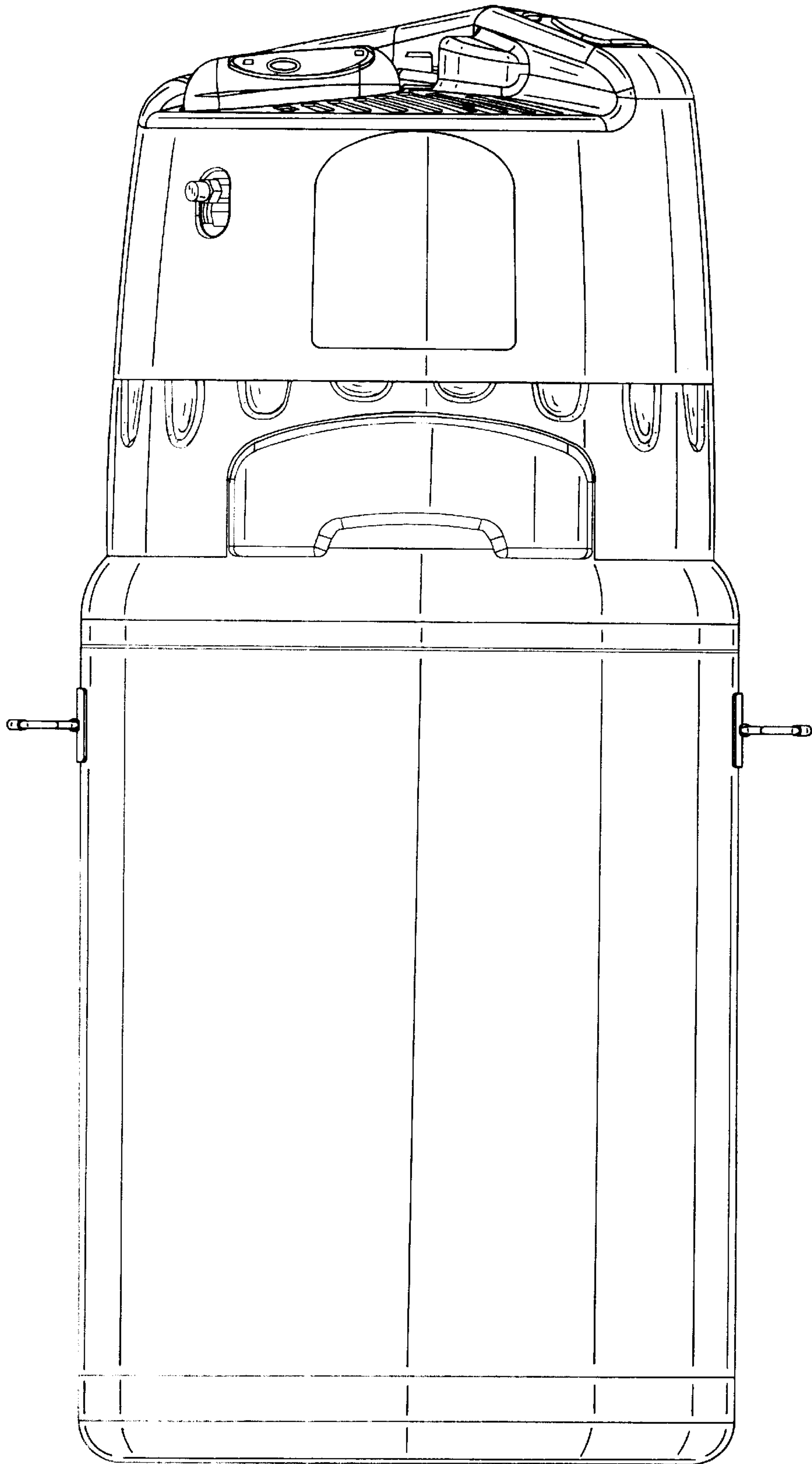


FIG. 2

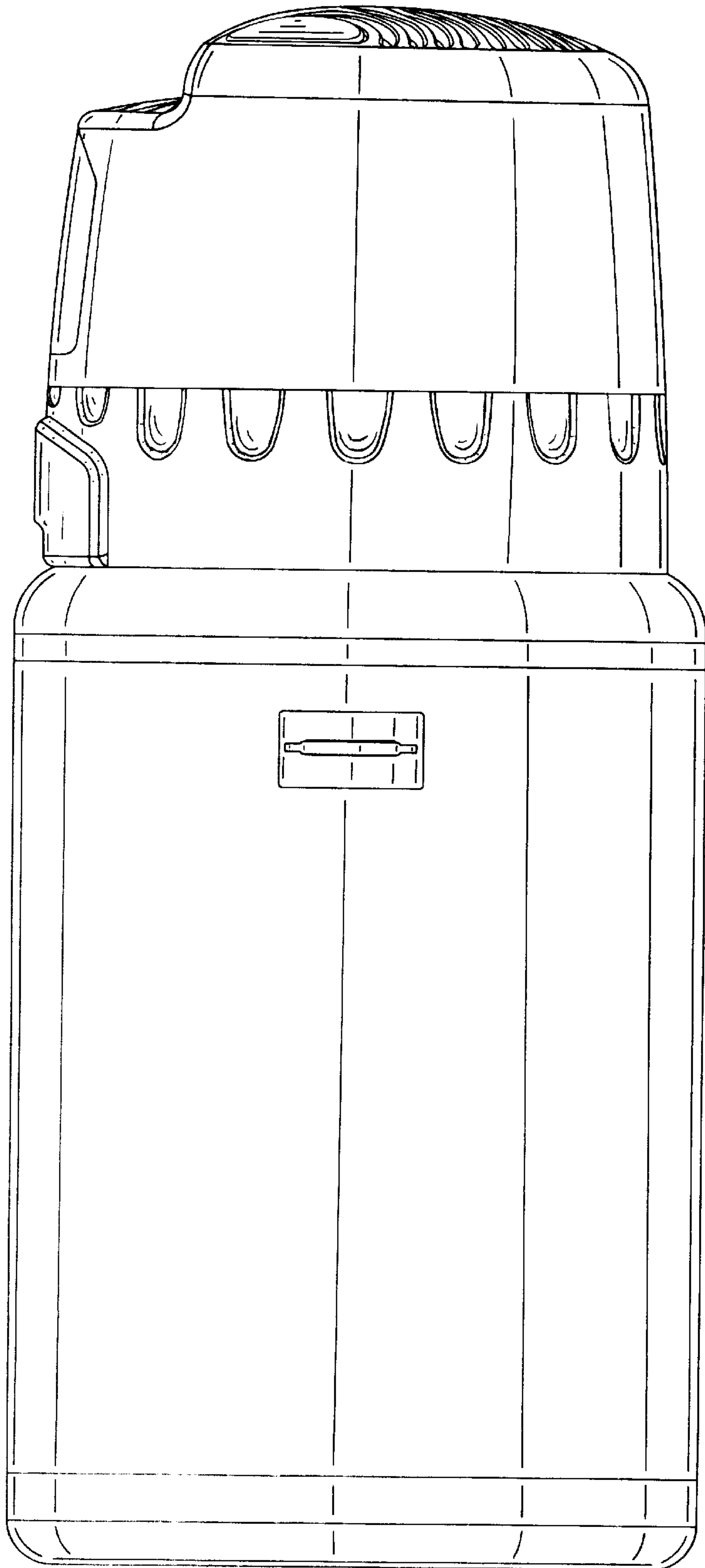


FIG. 3

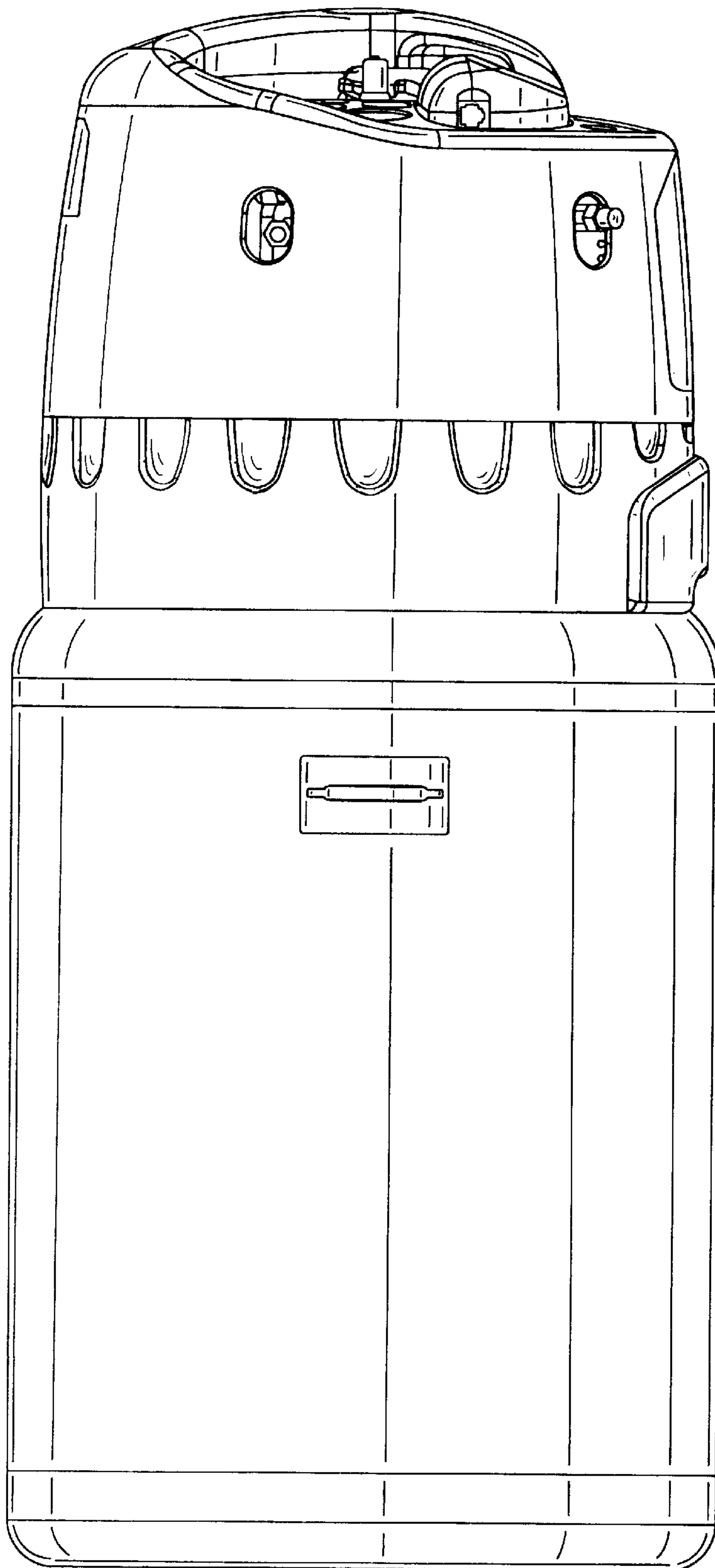


FIG. 4

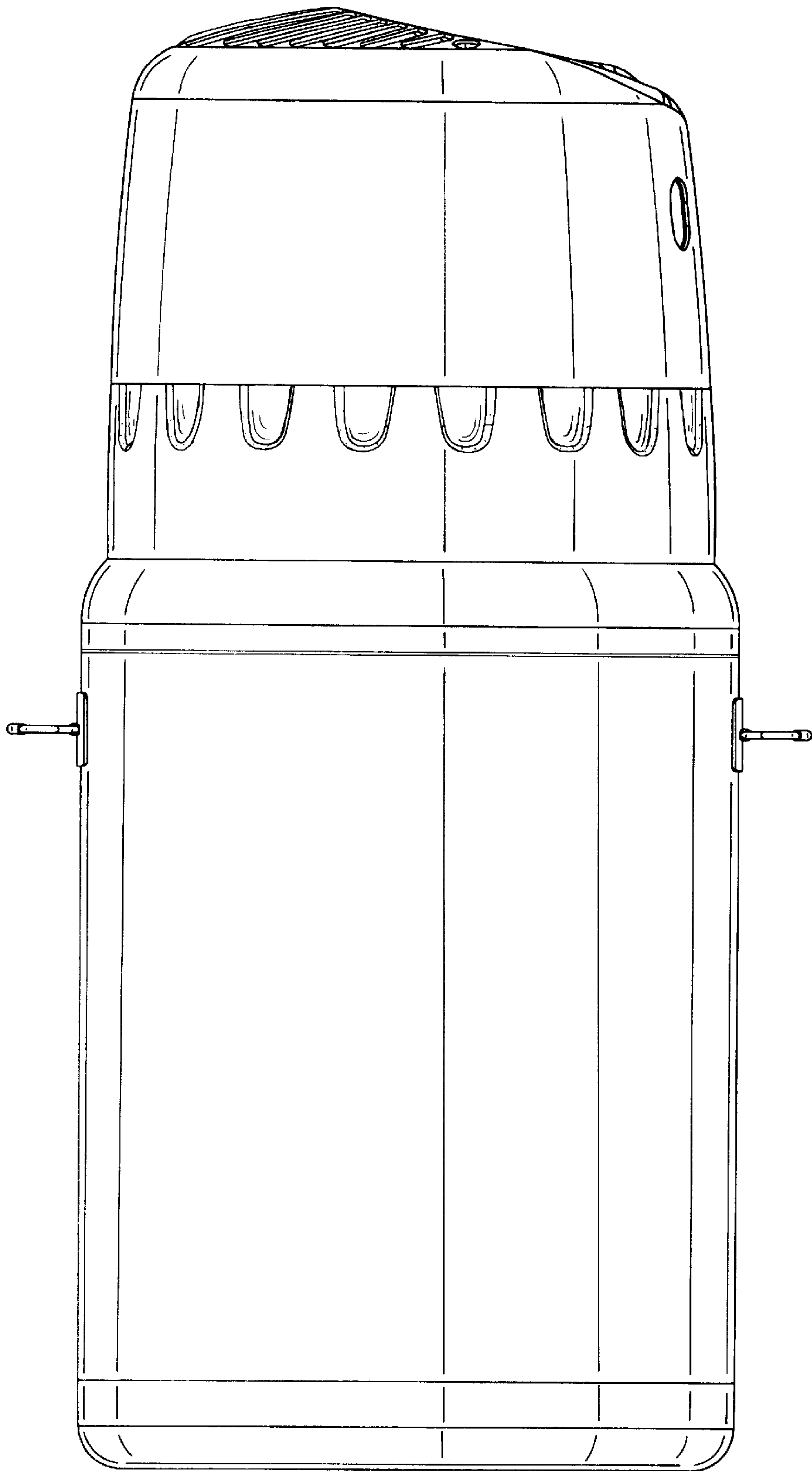


FIG. 5

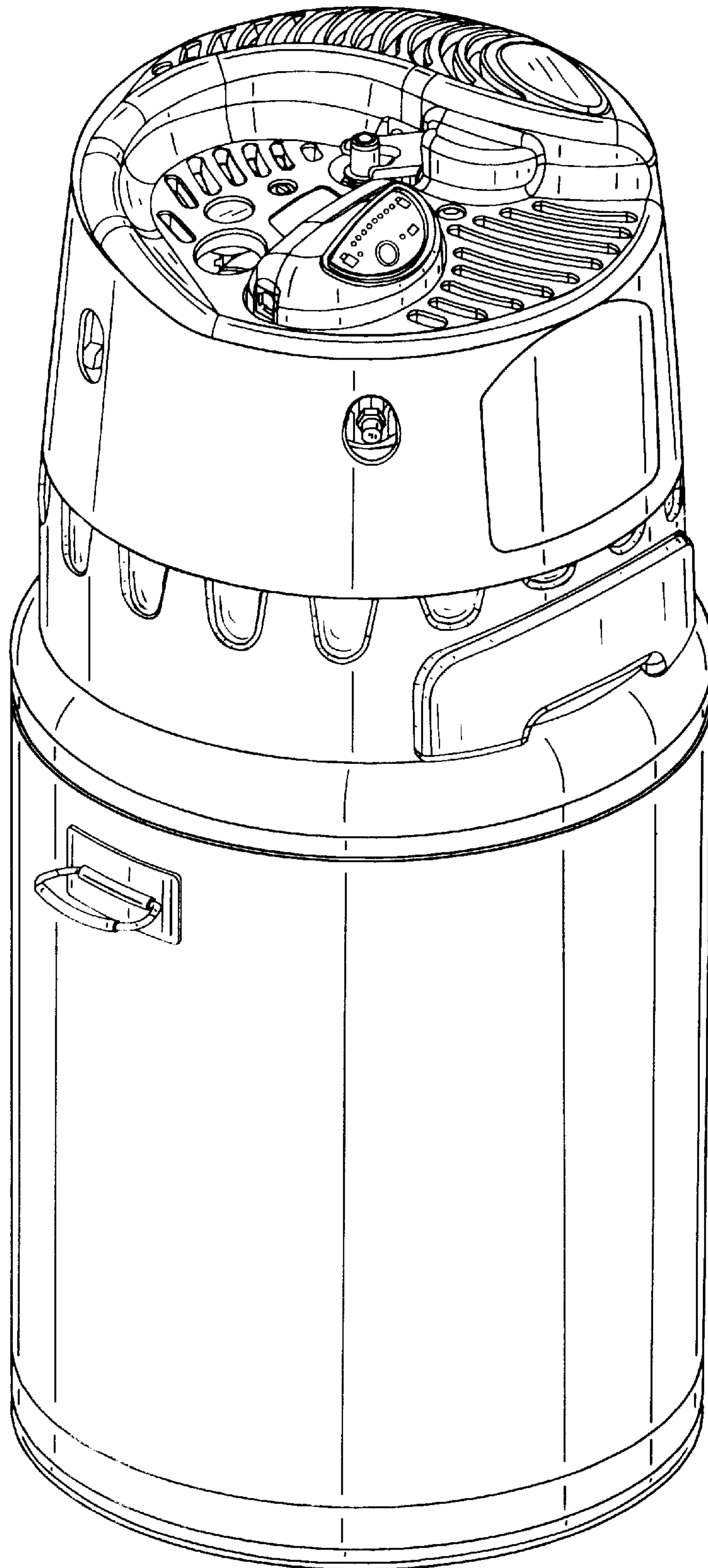


FIG. 6

