



US00D436394S

(12) **United States Design Patent**
Fleischmann

(10) **Patent No.:** **US D436,394 S**

(45) **Date of Patent:** **** Jan. 16, 2001**

(54) **SHOWER HEAD**

(75) **Inventor:** **Klaus Fleischmann, Krefeld (DE)**

(73) **Assignee:** **Hansa Metallwerke AG (DE)**

(**) **Term:** **14 Years**

(21) **Appl. No.:** **29/100,113**

(22) **Filed:** **Feb. 3, 1999**

(30) **Foreign Application Priority Data**

Aug. 3, 1998 (DE) 498 07 282

(51) **LOC (7) Cl.** **23-01**

(52) **U.S. Cl.** **D23/213**

(58) **Field of Search** D23/213, 223,
D23/226, 229, 230; 239/548, 550, 551,
566

(56) **References Cited**

U.S. PATENT DOCUMENTS

D. 113,042 * 1/1939 Landgarten D23/213

D. 253,245 * 10/1979 Allenbaugh D23/213
D. 261,417 * 10/1981 Klose D23/229
D. 281,192 * 10/1985 Santi D23/213
D. 318,900 * 8/1991 Zarinfar D23/213
D. 334,046 * 3/1993 Klose D23/213
D. 386,244 * 11/1997 Caroen et al. D23/229

* cited by examiner

Primary Examiner—Robin V. Taylor

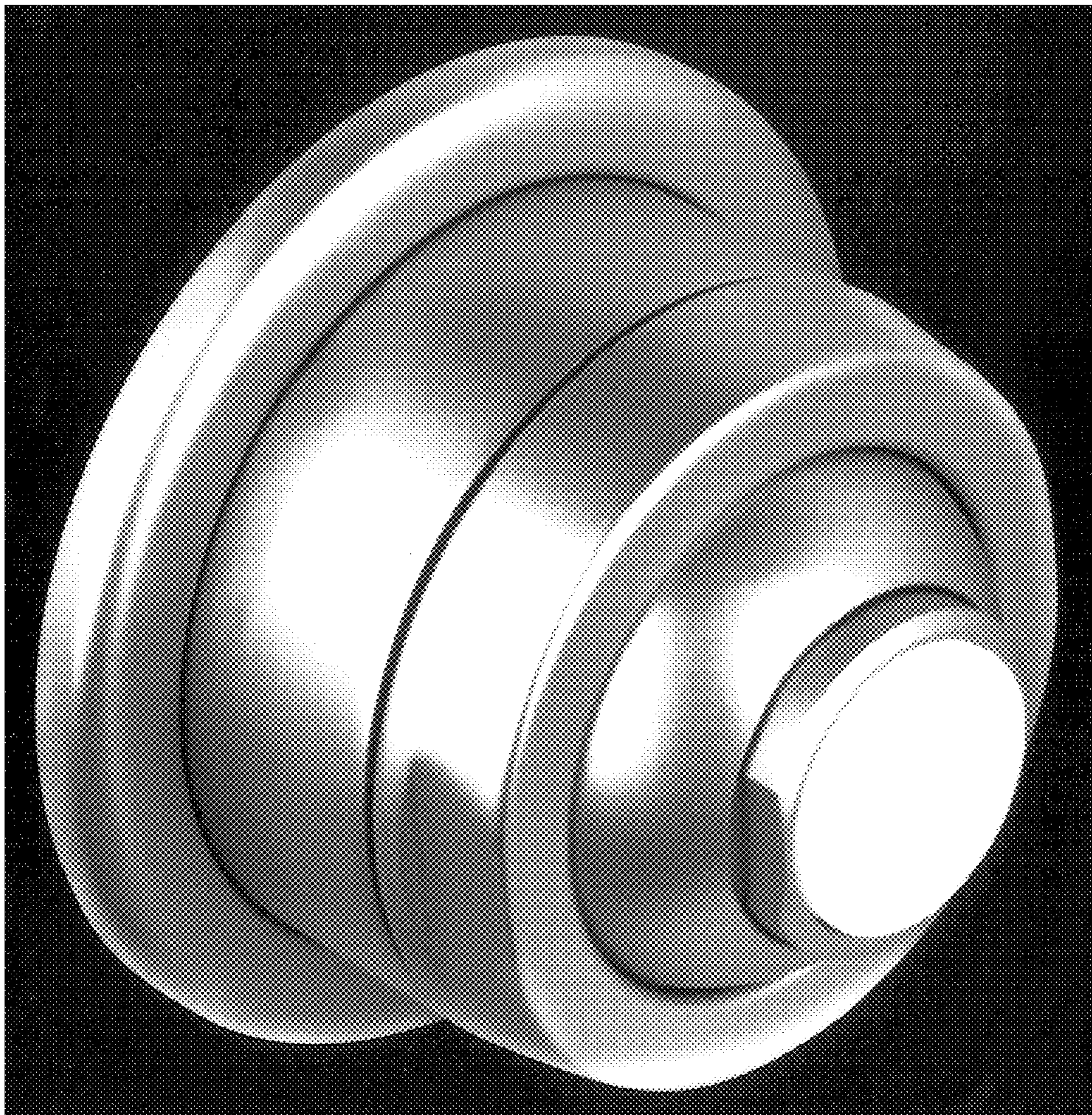
(57) **CLAIM**

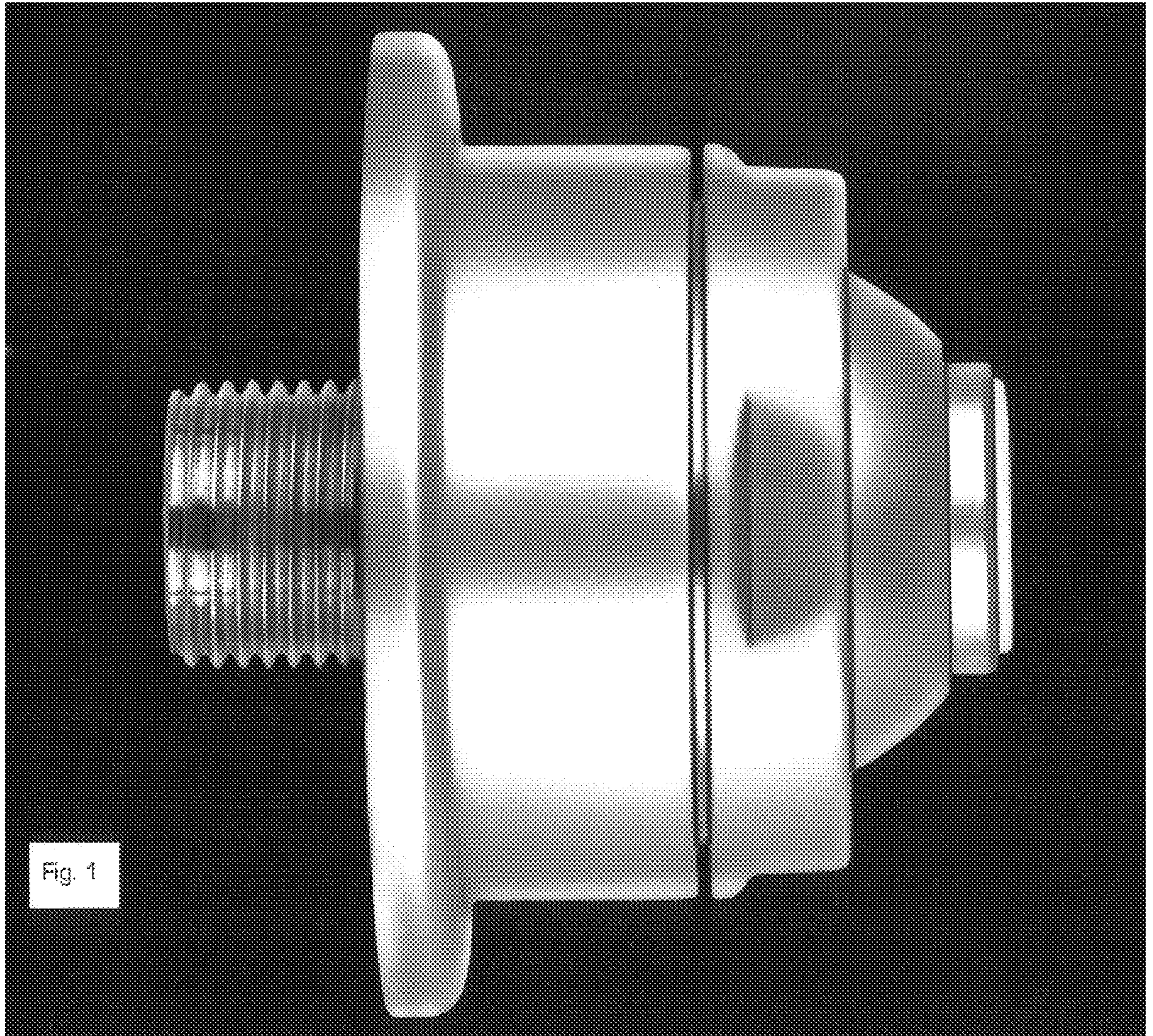
I claim the ornamental design for a shower head, as shown and described.

DESCRIPTION

FIG. 1 is a left side elevation of a shower head showing my new design, which is a mirror image of a right side elevation. FIG. 2 is a front view thereof. FIG. 3 is a rear view thereof. FIG. 4 is a top view thereof. FIG. 5 is a bottom view thereof; and, FIG. 6 is a perspective view thereof.

1 Claim, 6 Drawing Sheets





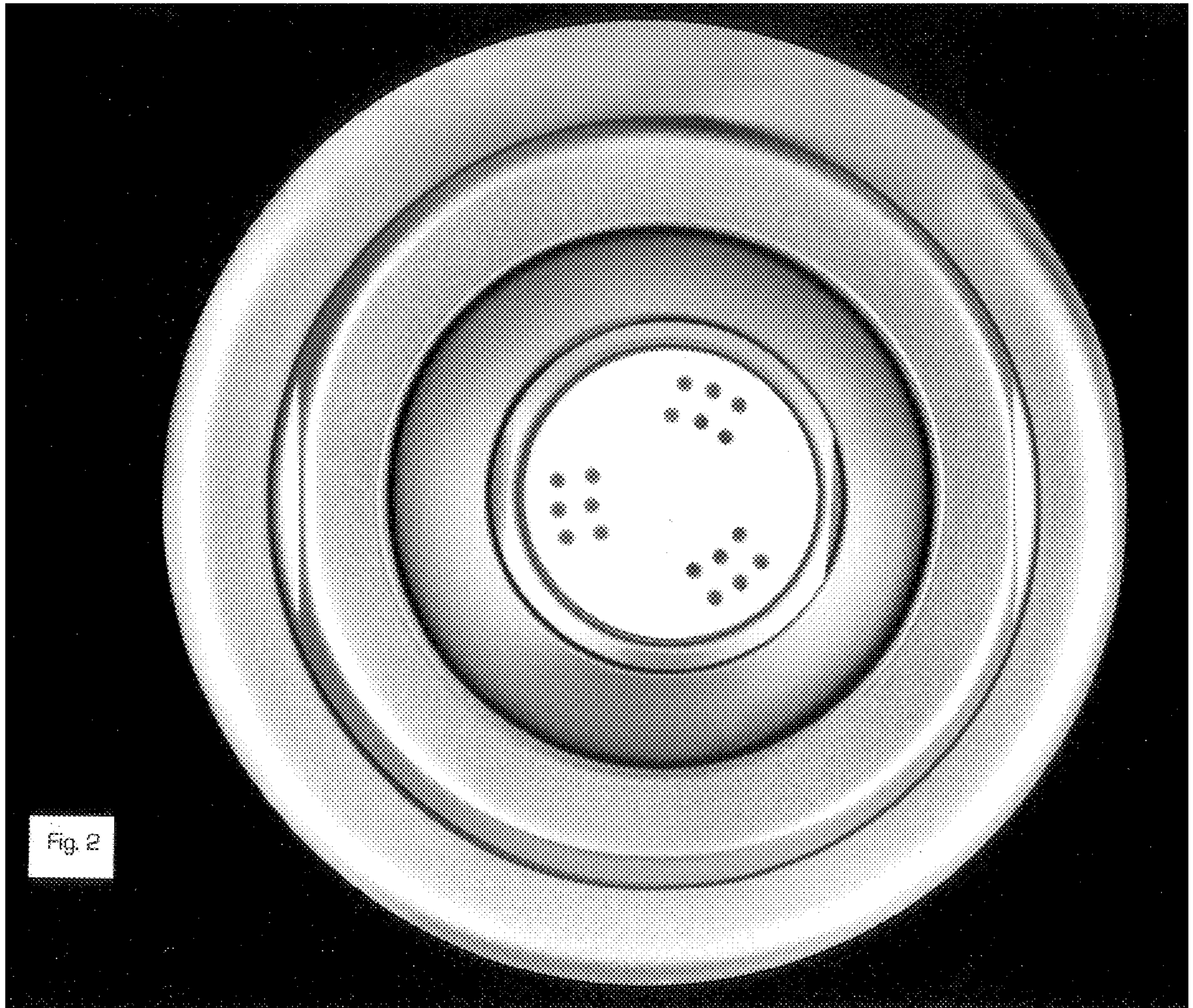


Fig. 2

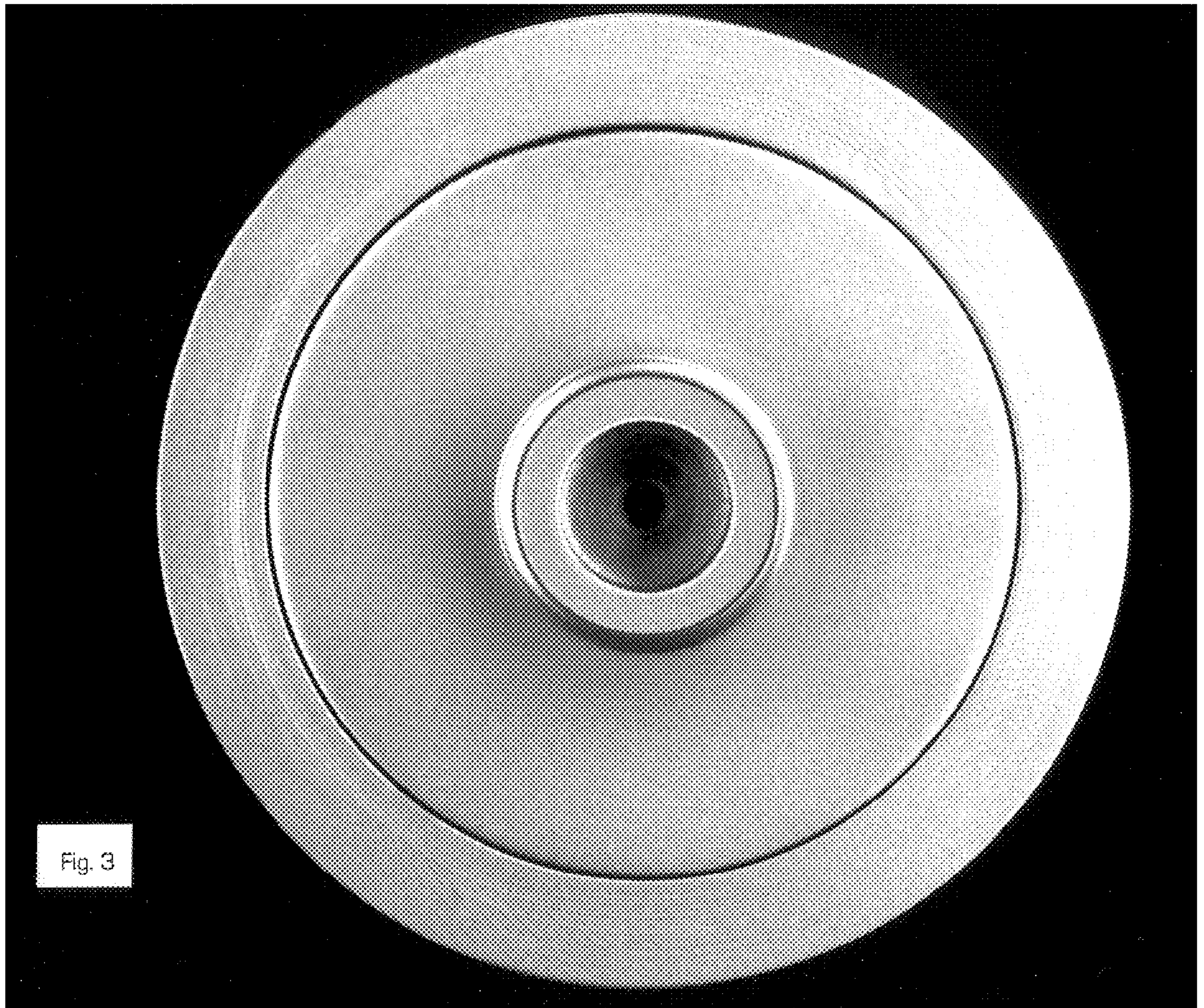
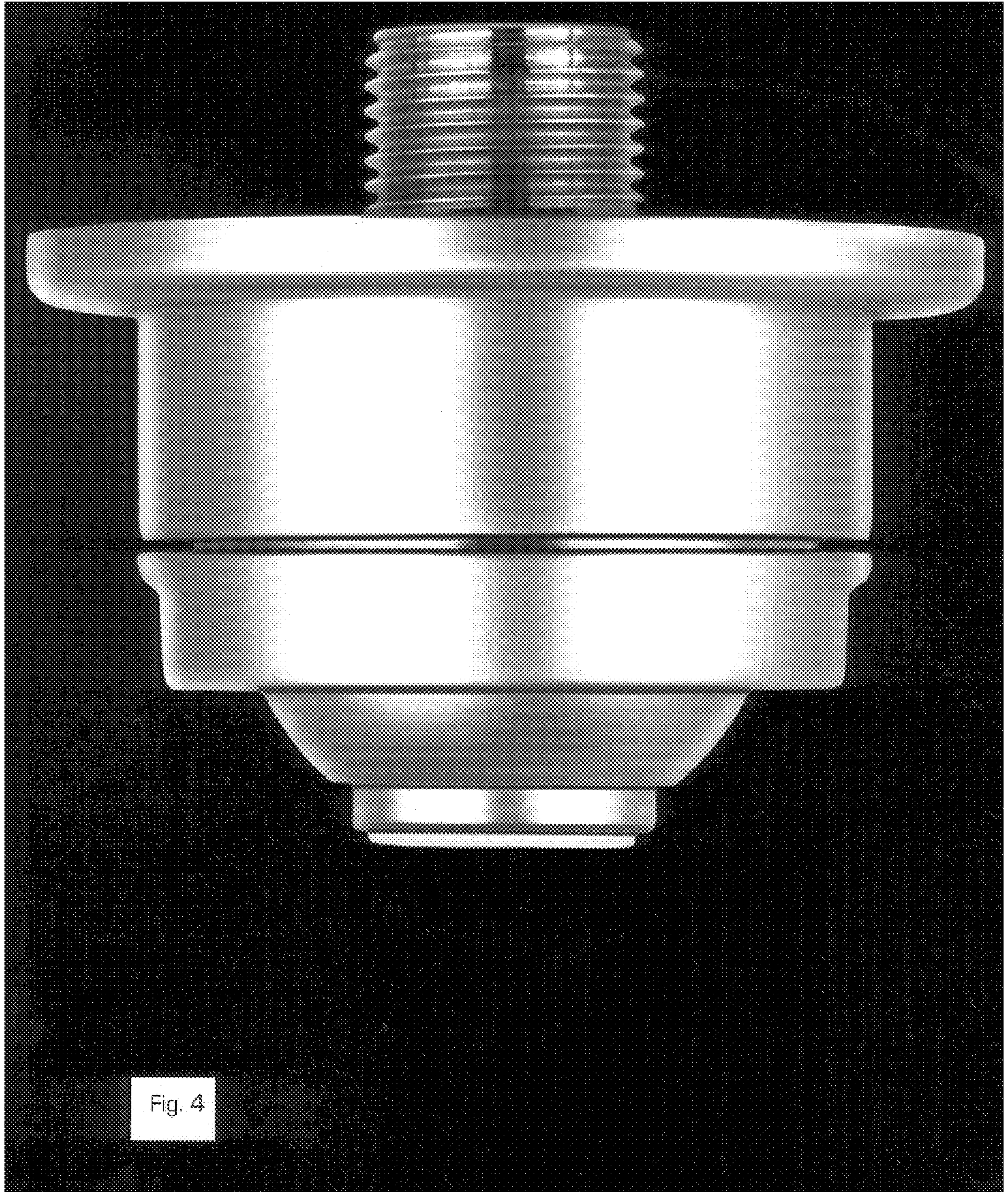
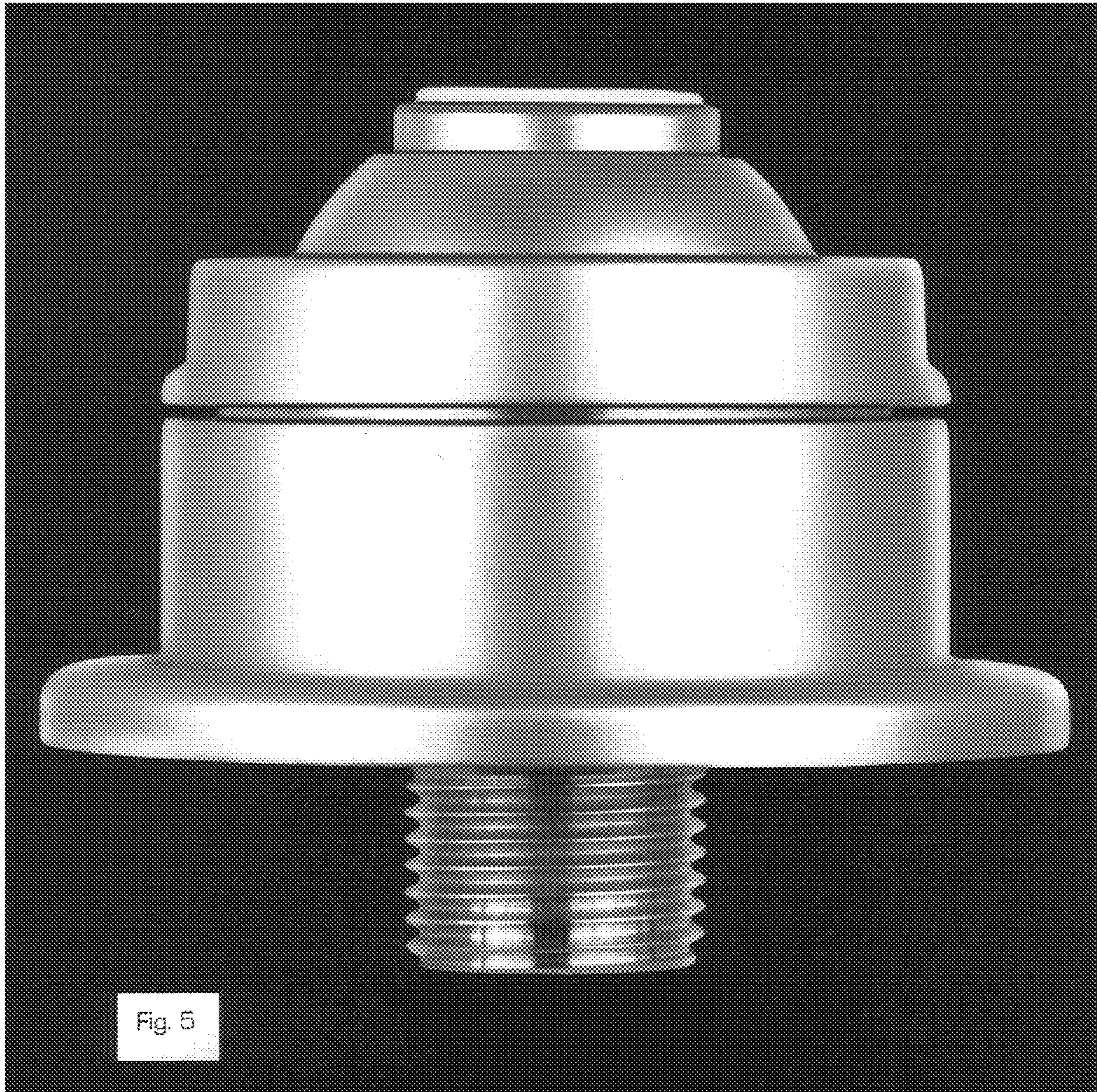


Fig. 3





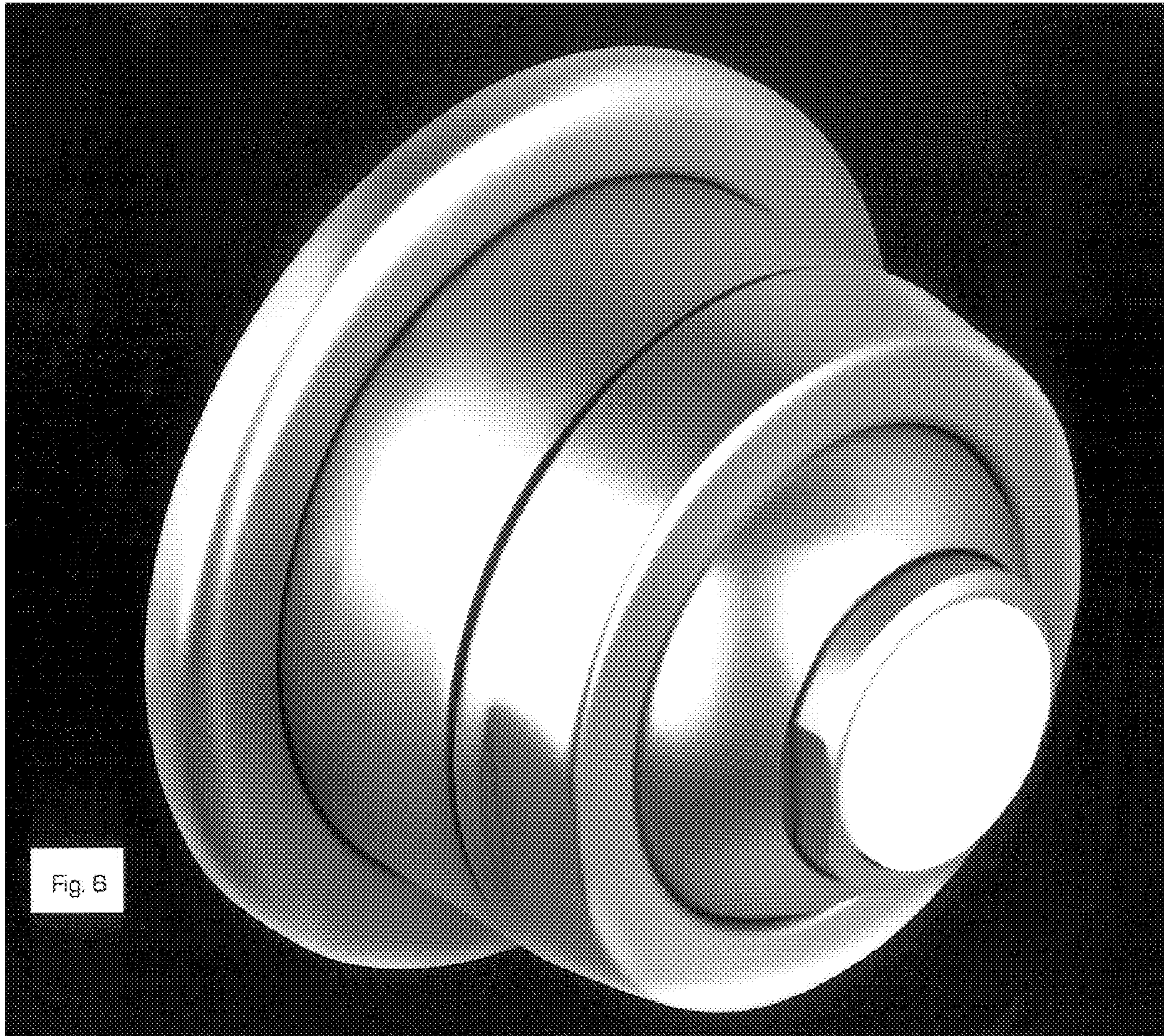


Fig. 6