



US00D436392S

(12) **United States Design Patent**
Addleman

(10) **Patent No.:** **US D436,392 S**

(45) **Date of Patent:** **** Jan. 16, 2001**

(54) **DOUBLE SAND TROUGH PLAYGROUND EQUIPMENT**

2,724,123 * 11/1955 Kesler 472/126

* cited by examiner

(75) Inventor: **Keith A. Addleman**, Hillsdale, MI (US)

Primary Examiner—Mitchell Siegel

(73) Assignee: **The Shane Group, Inc.**, Hillsdale, MI (US)

(74) *Attorney, Agent, or Firm*—Young & Basile, P.C.

(**) Term: **14 Years**

(57) **CLAIM**

The ornamental design of a double sand trough playground equipment, substantially as shown and described.

(21) Appl. No.: **29/112,553**

DESCRIPTION

(22) Filed: **Oct. 20, 1999**

(51) **LOC (7) Cl.** **21-03**

(52) **U.S. Cl.** **D21/815**

(58) **Field of Search** D21/811, 814, D21/815; 472/126, 128

FIG. 1 is a perspective side view of double sand trough playground equipment in accord with my new design, FIG. 2 is a plan view of the new design, FIG. 3 is a side elevational view, the opposite side being the mirror image thereof; and, FIG. 4 is an end elevational view of the double sand trough playground equipment, the opposite end being identical thereto.

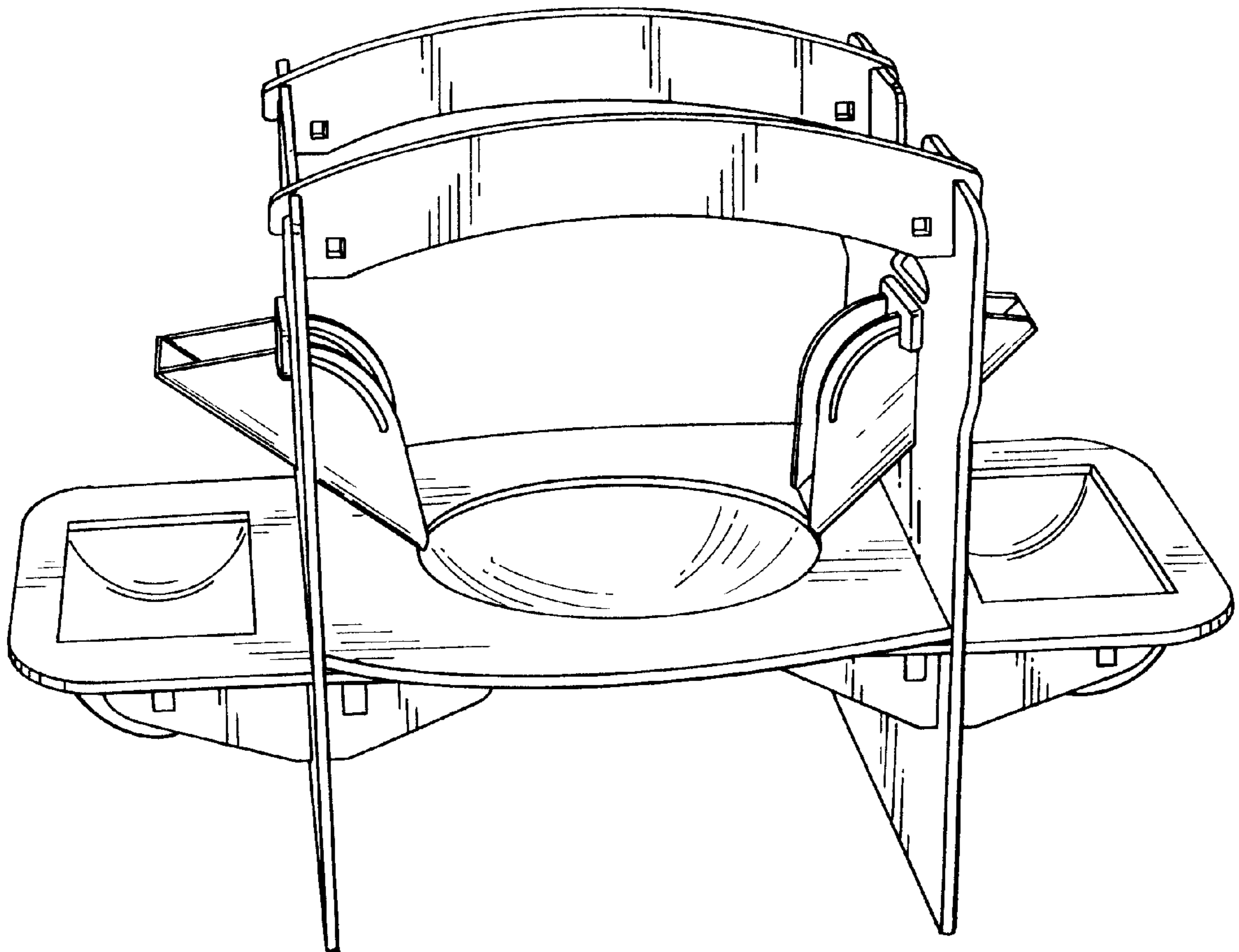
The surface(s) or portion(s) of the article not shown in the drawing or described in the specification form(s) no part of the claimed design.

(56) **References Cited**

U.S. PATENT DOCUMENTS

- D. 188,948 * 10/1960 Axe D21/815
- D. 227,683 * 7/1973 Mitchko D21/815
- D. 231,995 * 7/1974 Mitchko D21/815
- 2,473,047 * 6/1949 Bershad D21/815 X

1 Claim, 2 Drawing Sheets



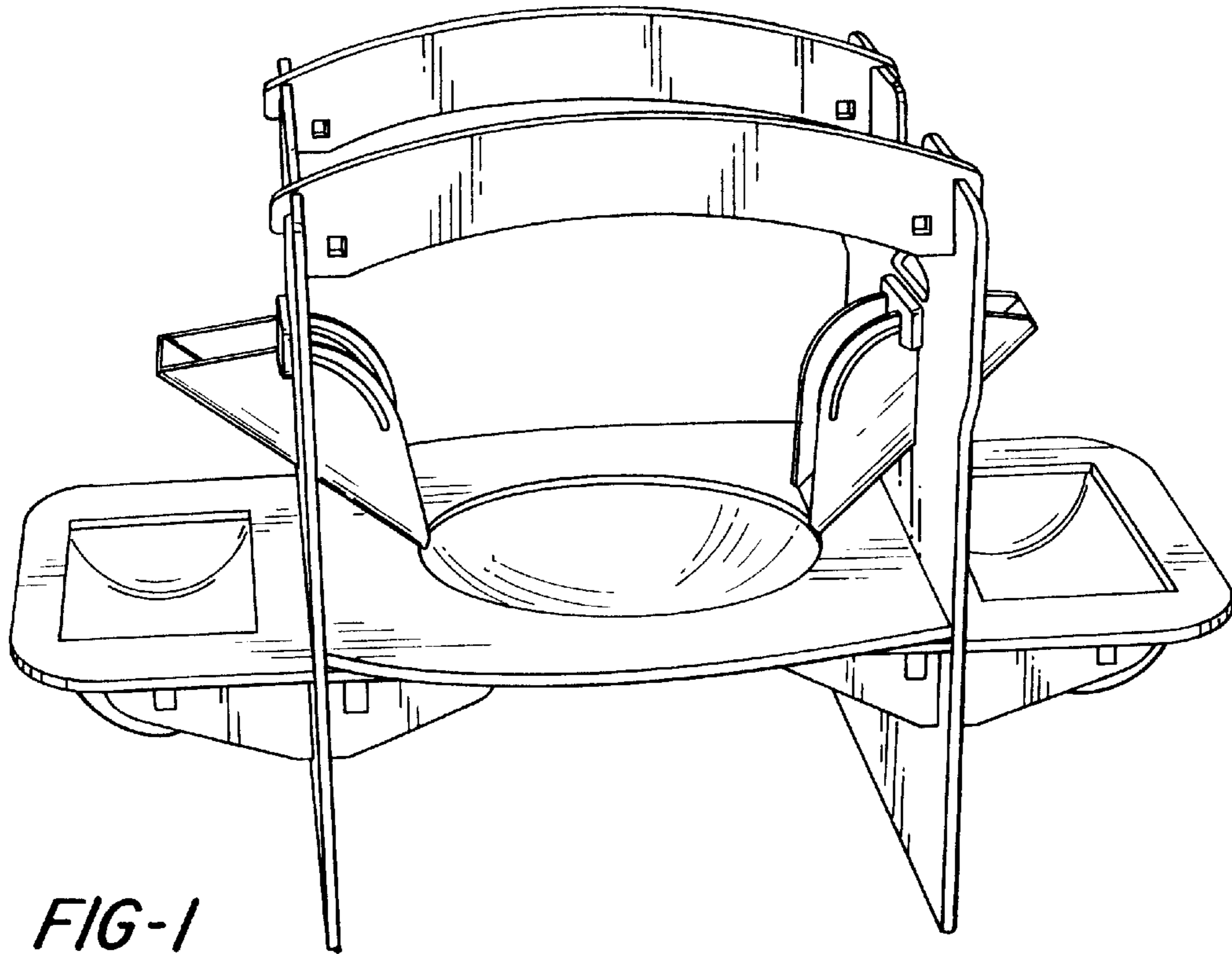


FIG-1

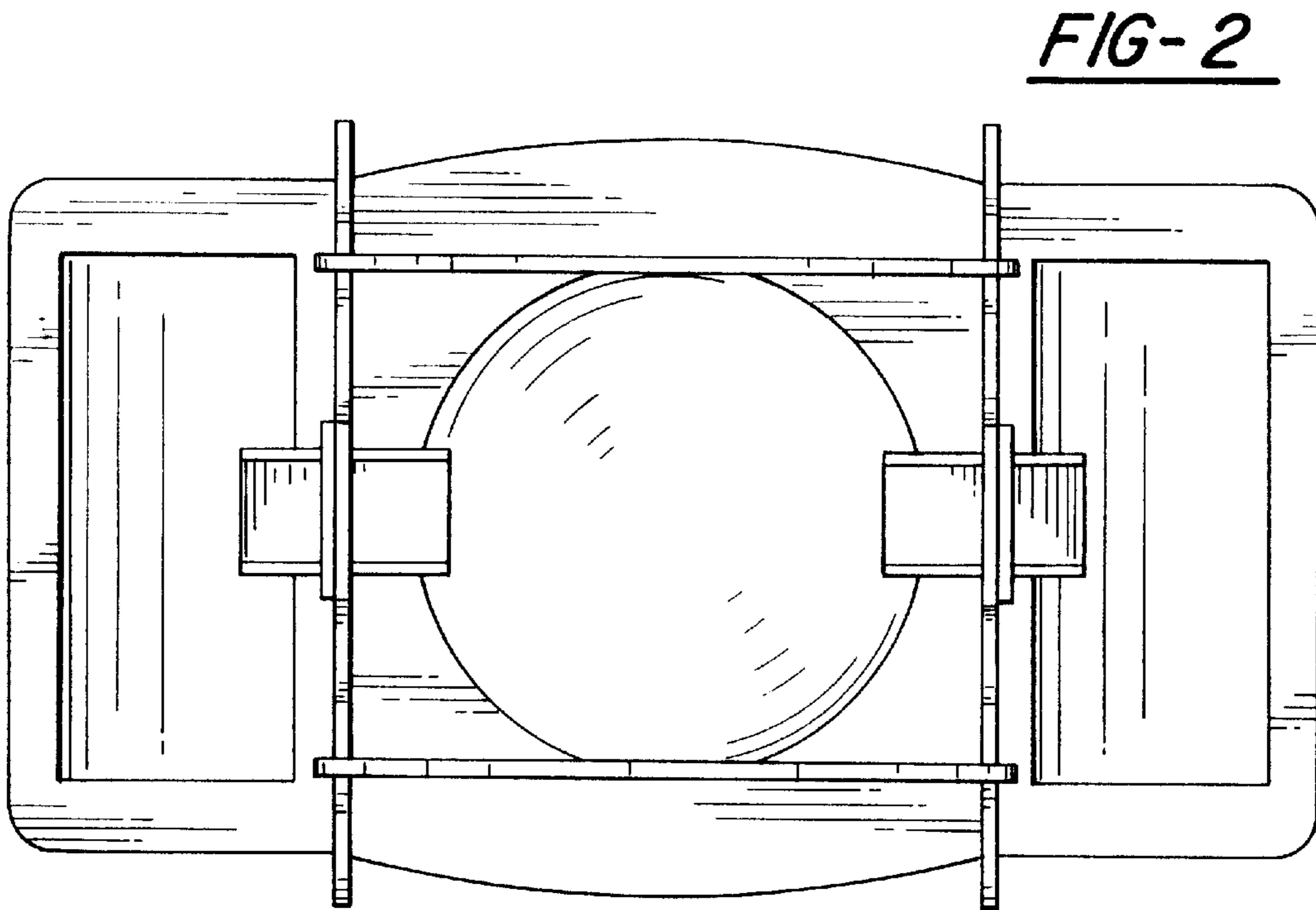


FIG-2

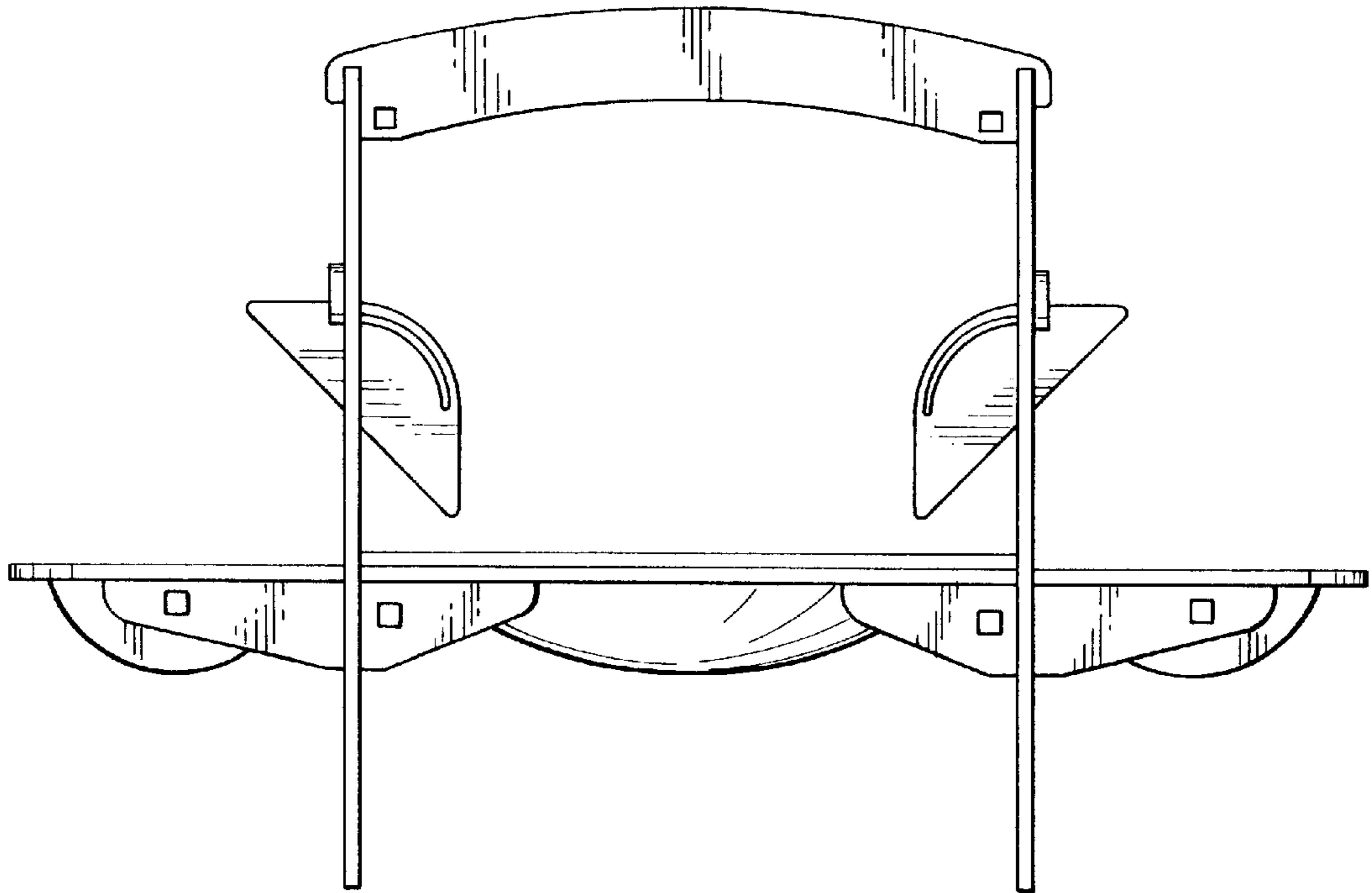


FIG-3

FIG-4

