



US00D436391S

(12) **United States Design Patent**
Sannito et al.

(10) **Patent No.:** **US D436,391 S**

(45) **Date of Patent:** **** Jan. 16, 2001**

(54) **ELECTRONIC FORTUNE COOKIE**

5,407,712 * 4/1995 D'Allura 428/22
5,530,969 * 7/1996 Lewandowski 2/115.2

(75) Inventors: **Patrick Sannito**, Northbrook; **John E. Neal**, Chicago, both of IL (US)

* cited by examiner

(73) Assignee: **Tiger Electronics, Ltd.**, Pawtucket, RI (US)

Primary Examiner—Mitchell Siegel

(74) *Attorney, Agent, or Firm*—Fitch, Even, Tabin & Flannery

(**) Term: **14 Years**

(57) **CLAIM**

(21) Appl. No.: **29/118,213**

The ornamental design for the electronic fortune cookie, as shown and described.

(22) Filed: **Feb. 4, 2000**

DESCRIPTION

(51) **LOC (7) Cl.** **21-03**

(52) **U.S. Cl.** **D21/813**

(58) **Field of Search** D21/813; D1/128;
273/161, 153 R, 156, 157 R; 428/22, 23;
2/115.2

FIG. 1 is a top view of the inventive design in open position;
FIG. 2 is a front view thereof;

FIG. 3 is a bottom view thereof;

FIG. 4 is a top view of the inventive design in closed position;

FIG. 5 is a front view of FIG. 4;

FIG. 6 is a side view of FIG. 4; and,

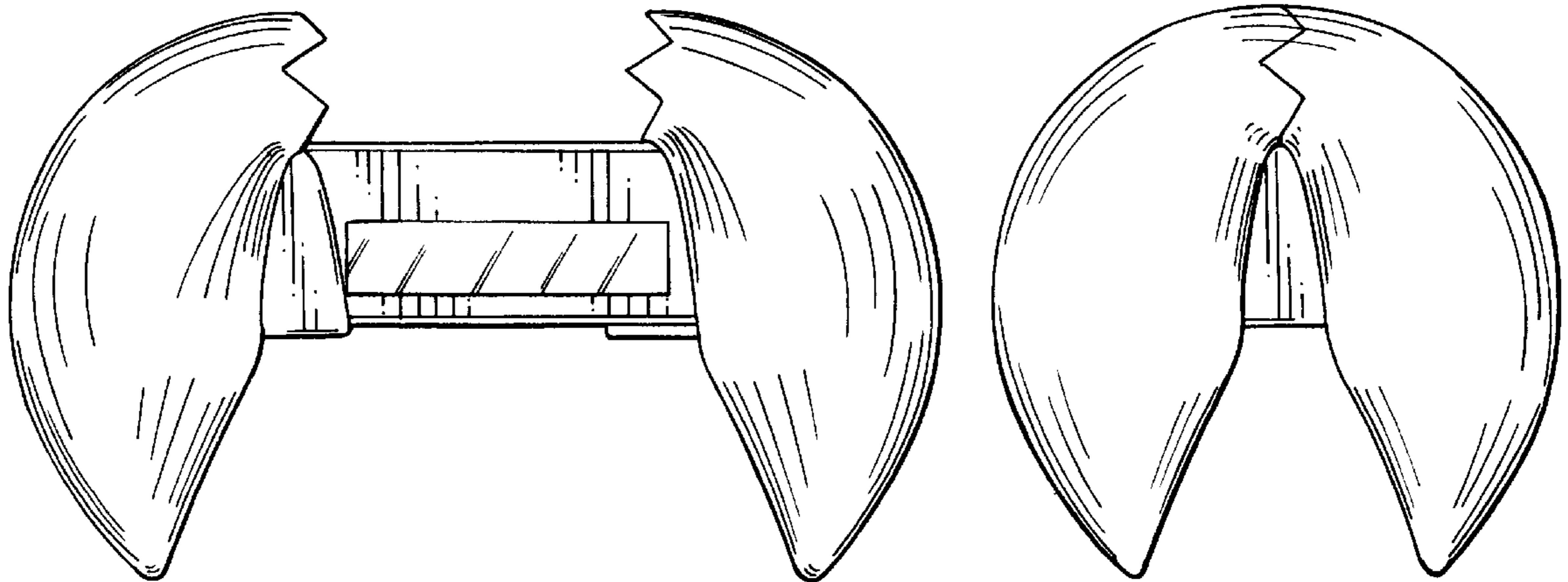
FIG. 7 is a bottom view of FIG. 4.

(56) **References Cited**

U.S. PATENT DOCUMENTS

D. 335,943 6/1993 Shen .
3,770,278 * 11/1973 Mueller 273/153 R

1 Claim, 2 Drawing Sheets



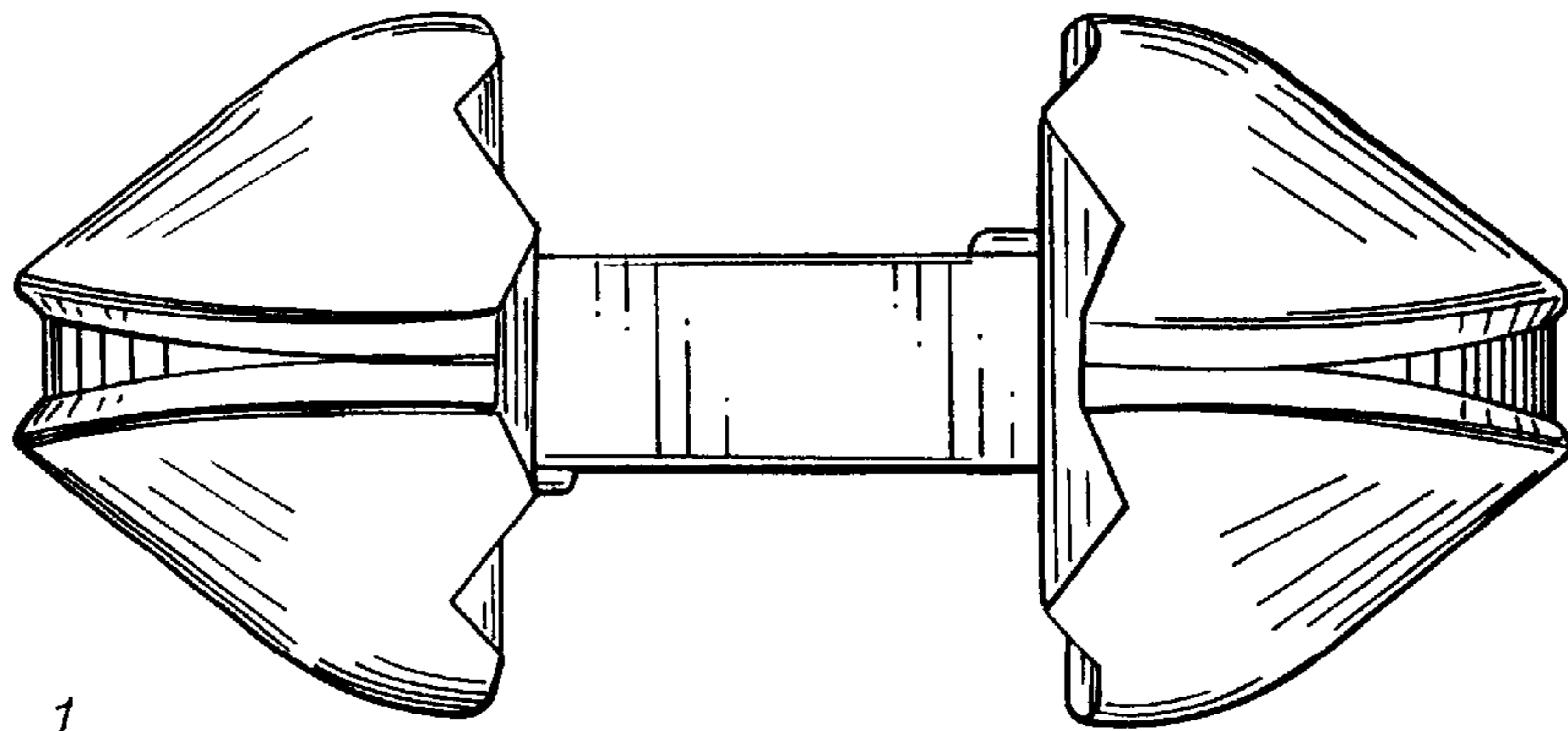


Fig. 1

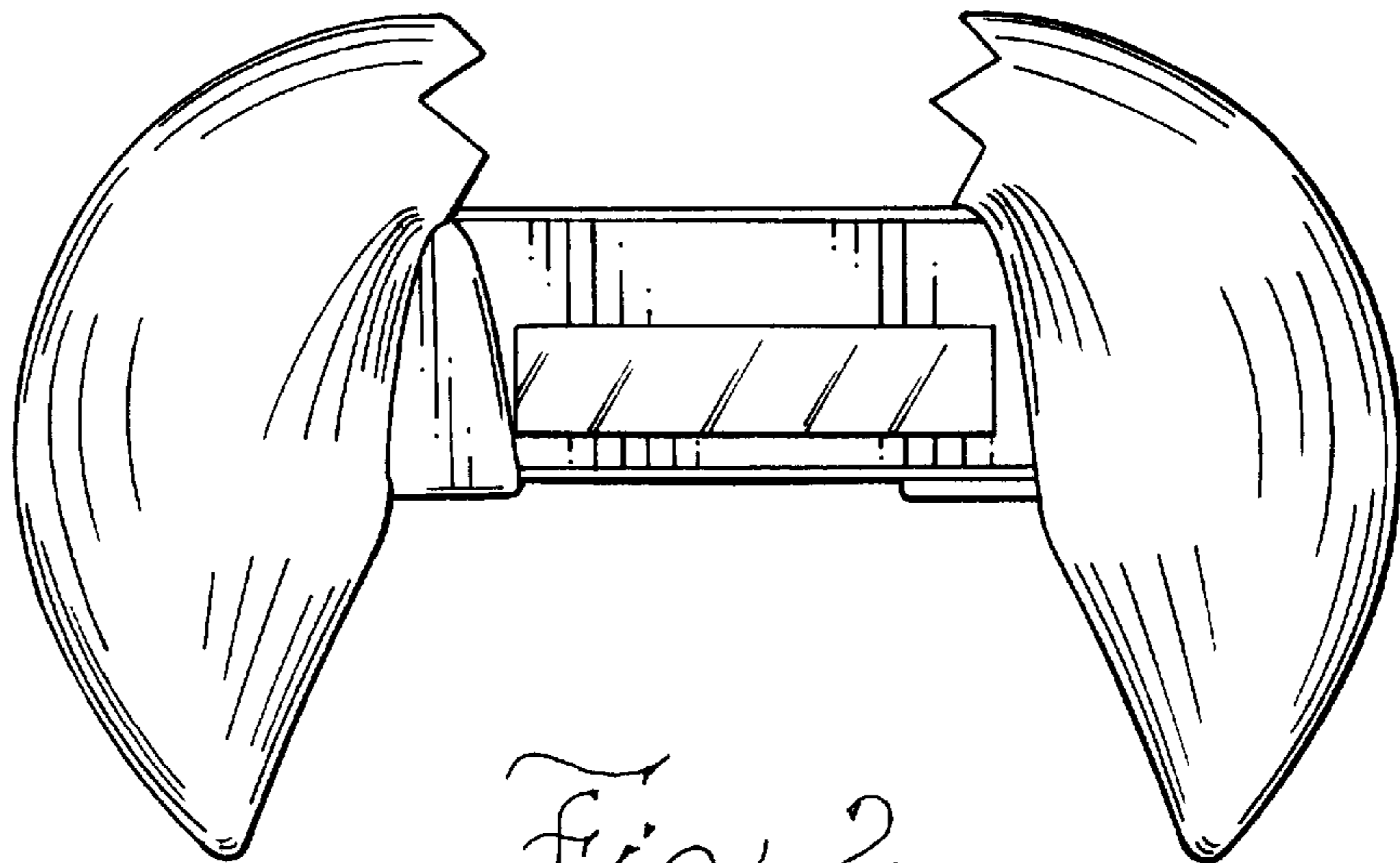


Fig. 2

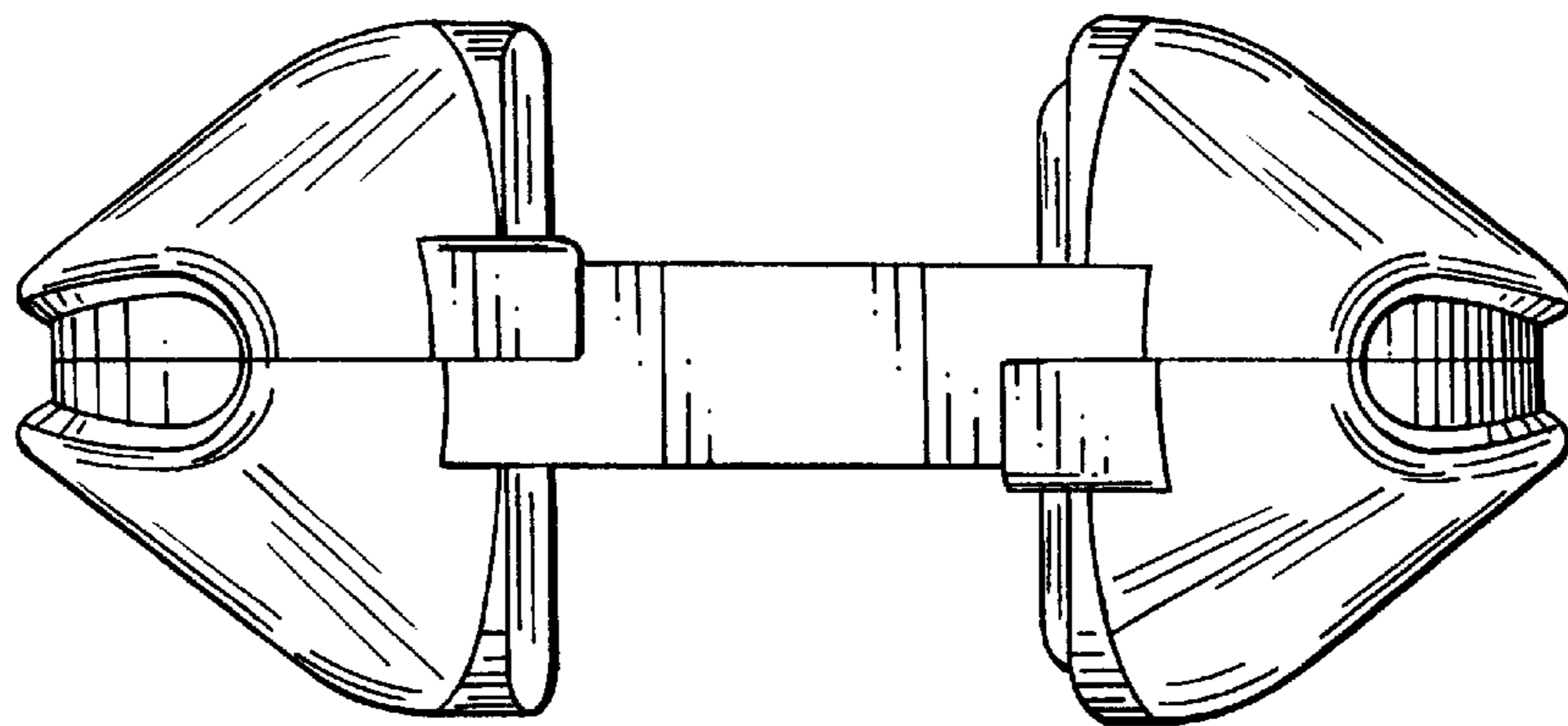


Fig. 3

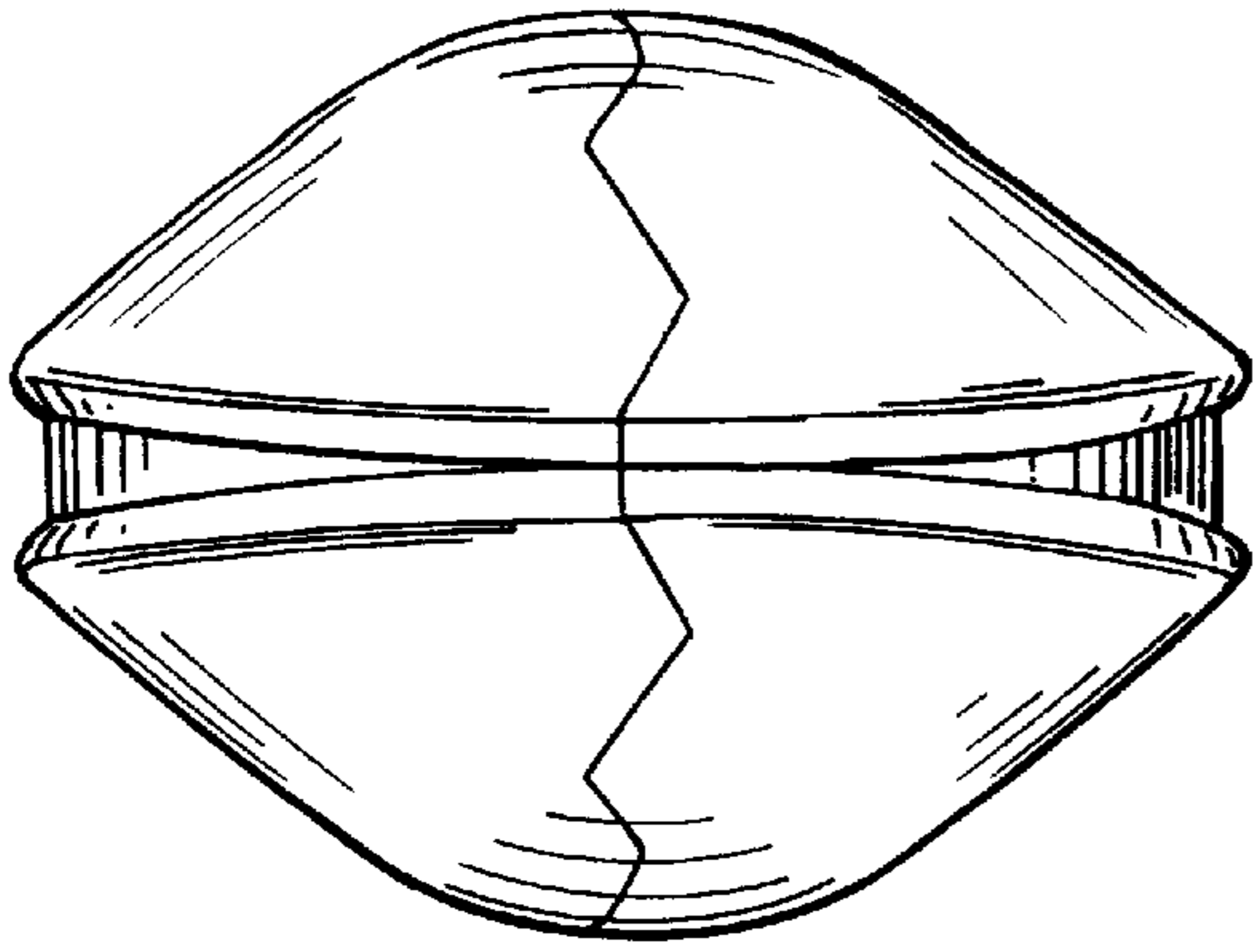


Fig. 4

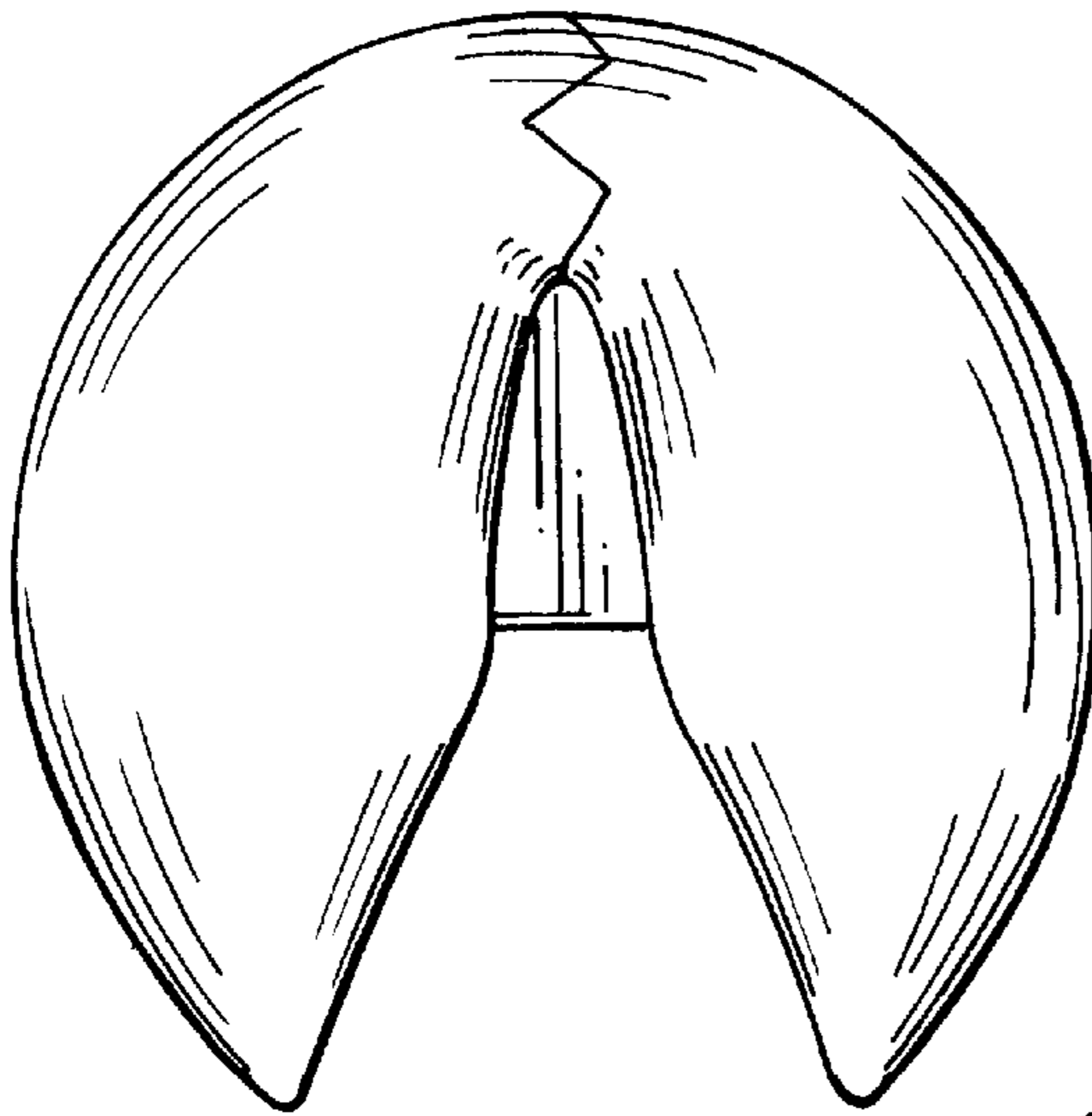


Fig. 5

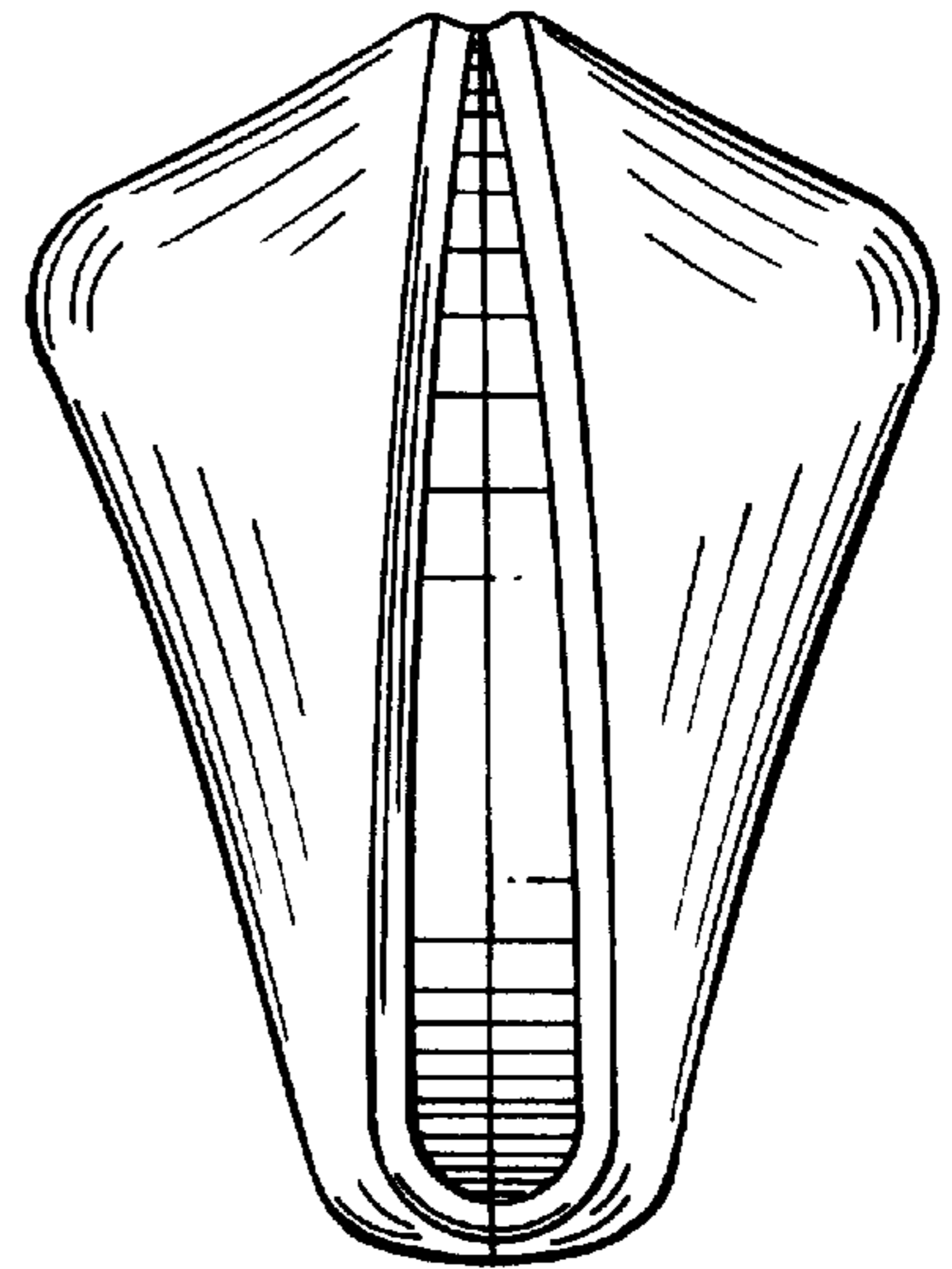


Fig. 6

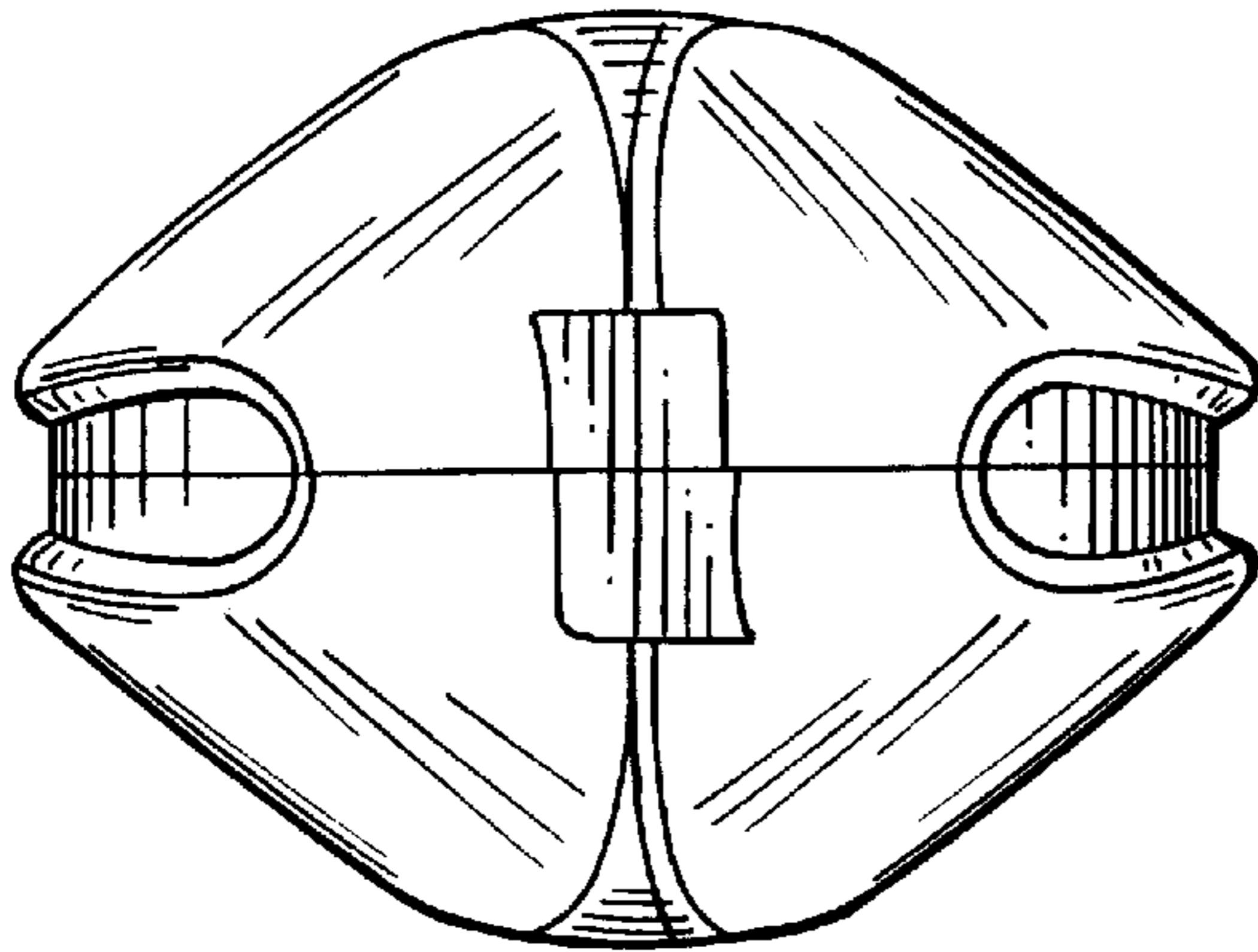


Fig. 7