



US00D436386S

(12) **United States Design Patent**
Huntsberger

(10) **Patent No.:** **US D436,386 S**

(45) **Date of Patent:** **** Jan. 16, 2001**

(54) **CHILDREN'S RIDE-ON VEHICLE**

D. 423,604 * 4/2000 Yeh D21/433
4,741,544 * 5/1988 Kassai D21/428

(75) Inventor: **Kurt J. Huntsberger**, Chaffee, NY
(US)

* cited by examiner

(73) Assignee: **Mattel, Inc.**, El Segundo, CA (US)

Primary Examiner—Raphael Barkai

(**) Term: **14 Years**

(74) *Attorney, Agent, or Firm*—Kolisich Hartwell Dickinson
McCormack & Heuser

(21) Appl. No.: **29/118,444**

(57) **CLAIM**

(22) Filed: **Feb. 7, 2000**

The ornamental design for a children's ride-on vehicle, as shown and described.

(51) **LOC (7) Cl.** **21-01**

DESCRIPTION

(52) **U.S. Cl.** **D21/424; D21/433**

(58) **Field of Search** D21/419-435,
D21/533, 537, 548-560; D12/1, 16, 82,
87; 280/87.01, 87.021, 1.13, 828, 465,
470

FIG. 1 is a front perspective view of a children's ride-on vehicle showing the claimed design.

FIG. 2 a rear perspective view of the vehicle of FIG. 1.

FIG. 3 is a left side elevation view of the vehicle of FIG. 1.

FIG. 4 is a right side elevation view of the vehicle of FIG. 1.

FIG. 5 is a top plan view of the vehicle of FIG. 1.

FIG. 6 is a front elevation view of the vehicle of FIG. 1; and,

FIG. 7 is a rear elevation view of the vehicle of FIG. 1.

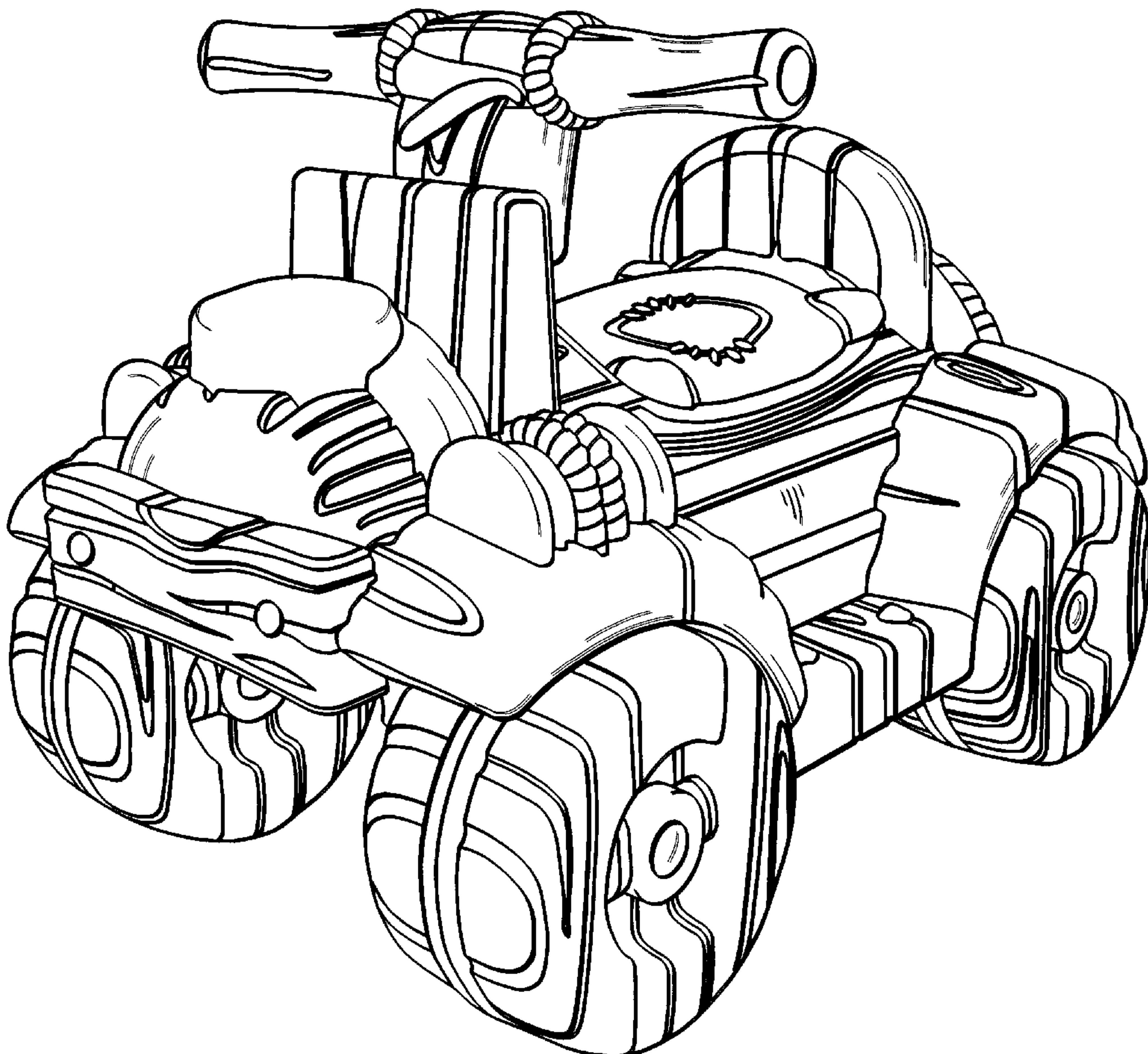
The bottom of the vehicle forms no part of the claimed design.

(56) **References Cited**

U.S. PATENT DOCUMENTS

D. 252,652	*	8/1979	Nakao et al.	D21/428
D. 262,385	*	12/1981	Nakao et al.	D21/428
D. 306,748	*	3/1990	Takahashi et al.	D21/428
D. 379,407	*	5/1997	Liu	D21/428
D. 423,603	*	4/2000	Tasy	D21/424

1 Claim, 5 Drawing Sheets



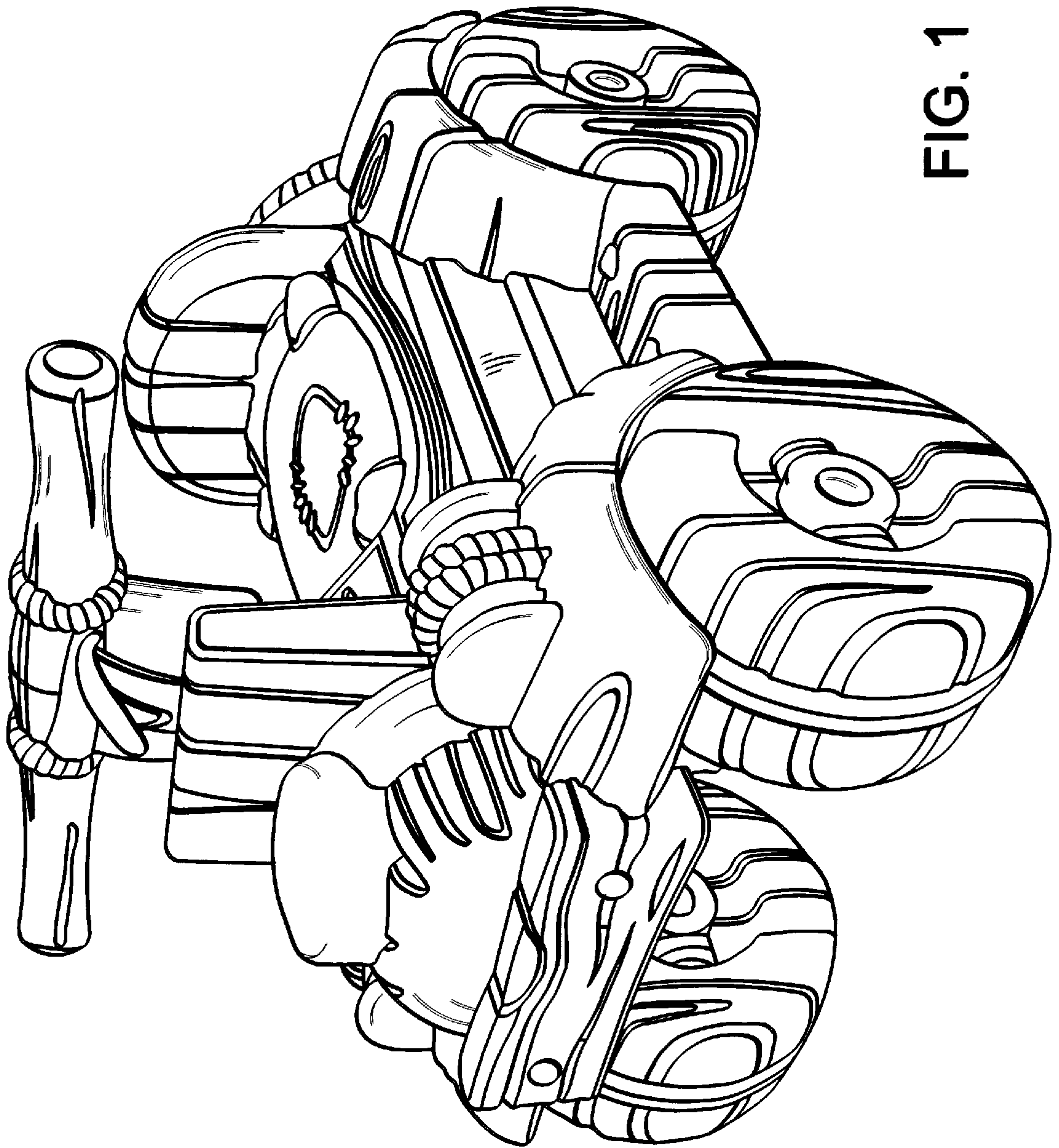


FIG. 1

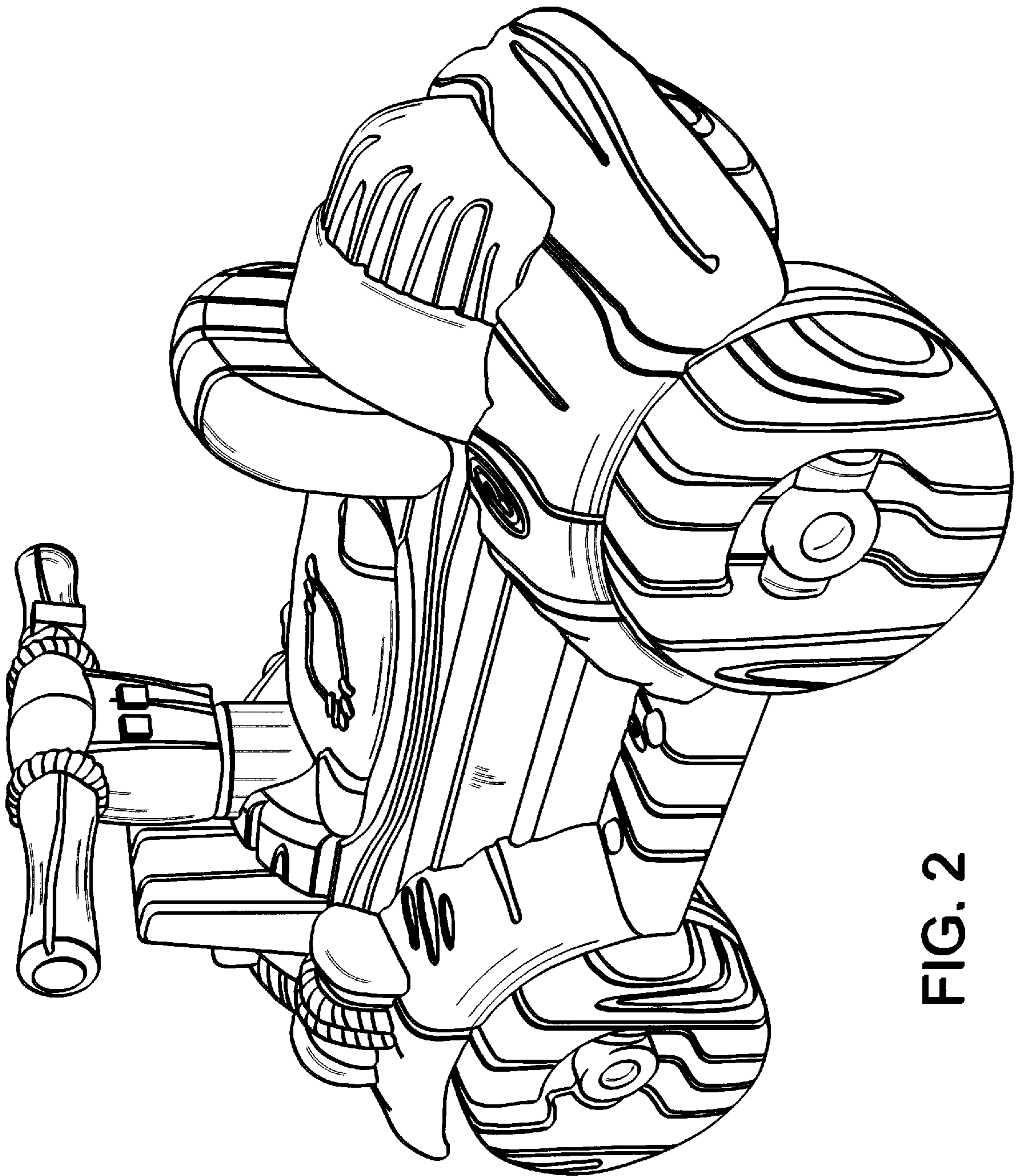


FIG. 2

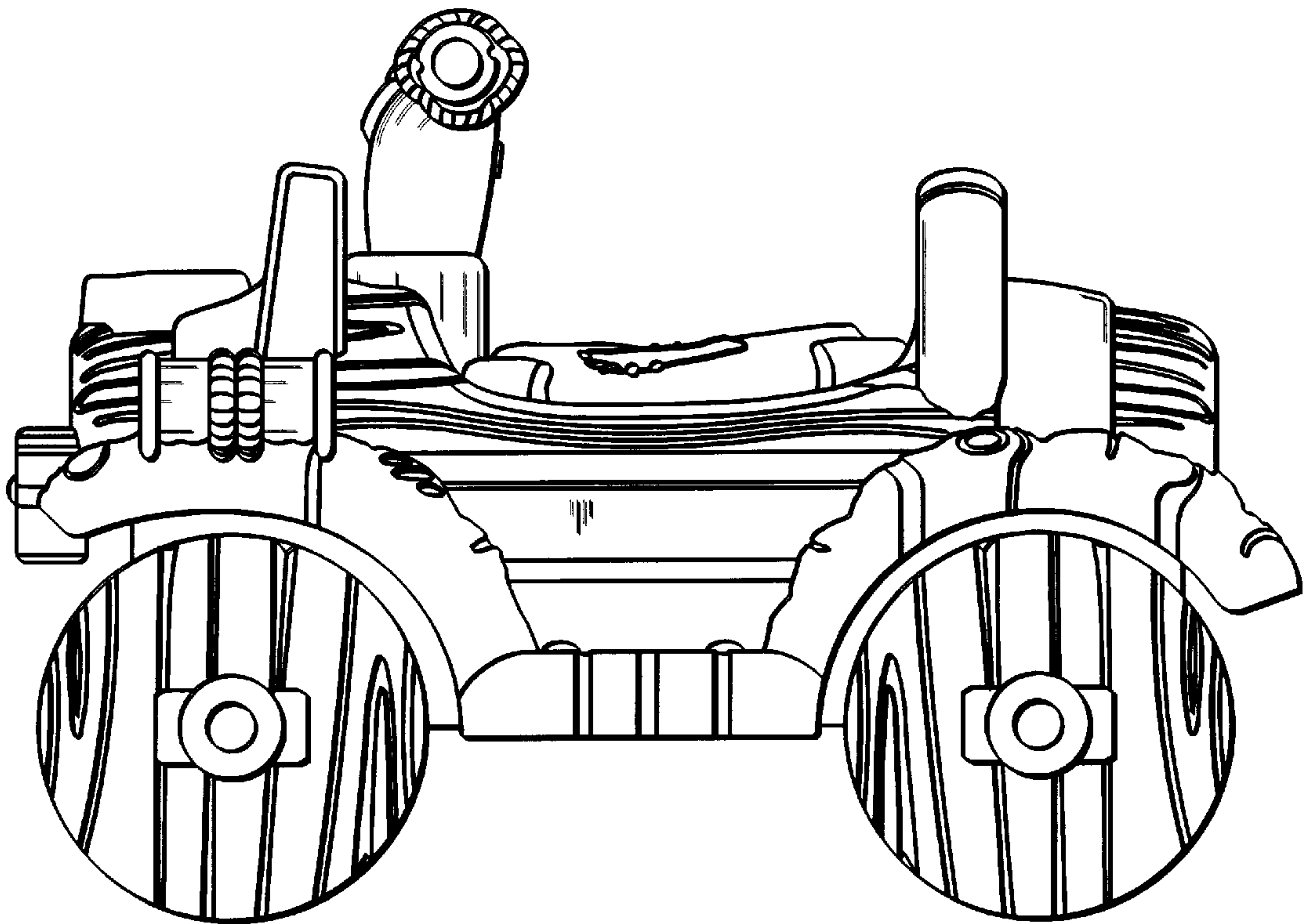


FIG. 3

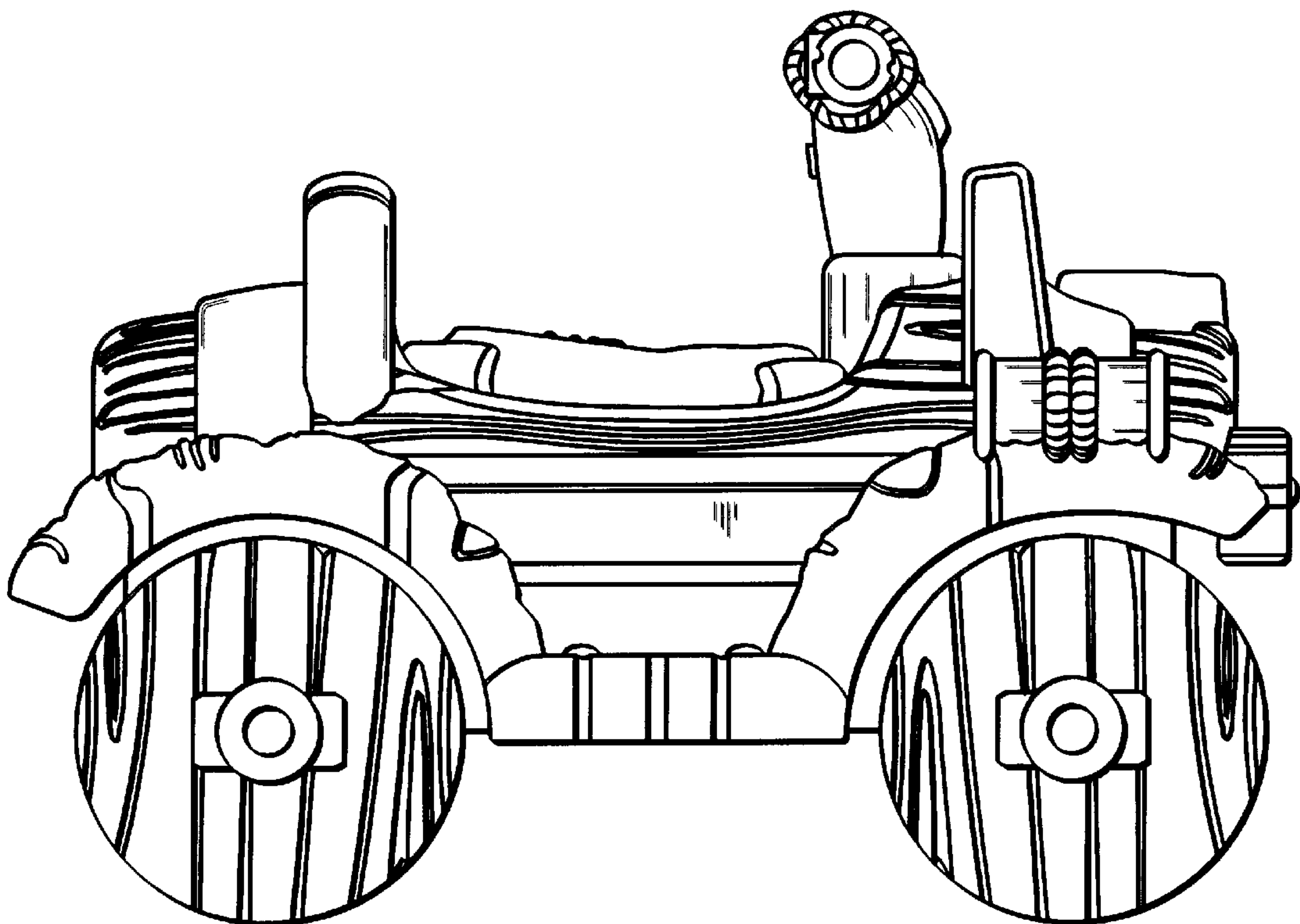


FIG. 4

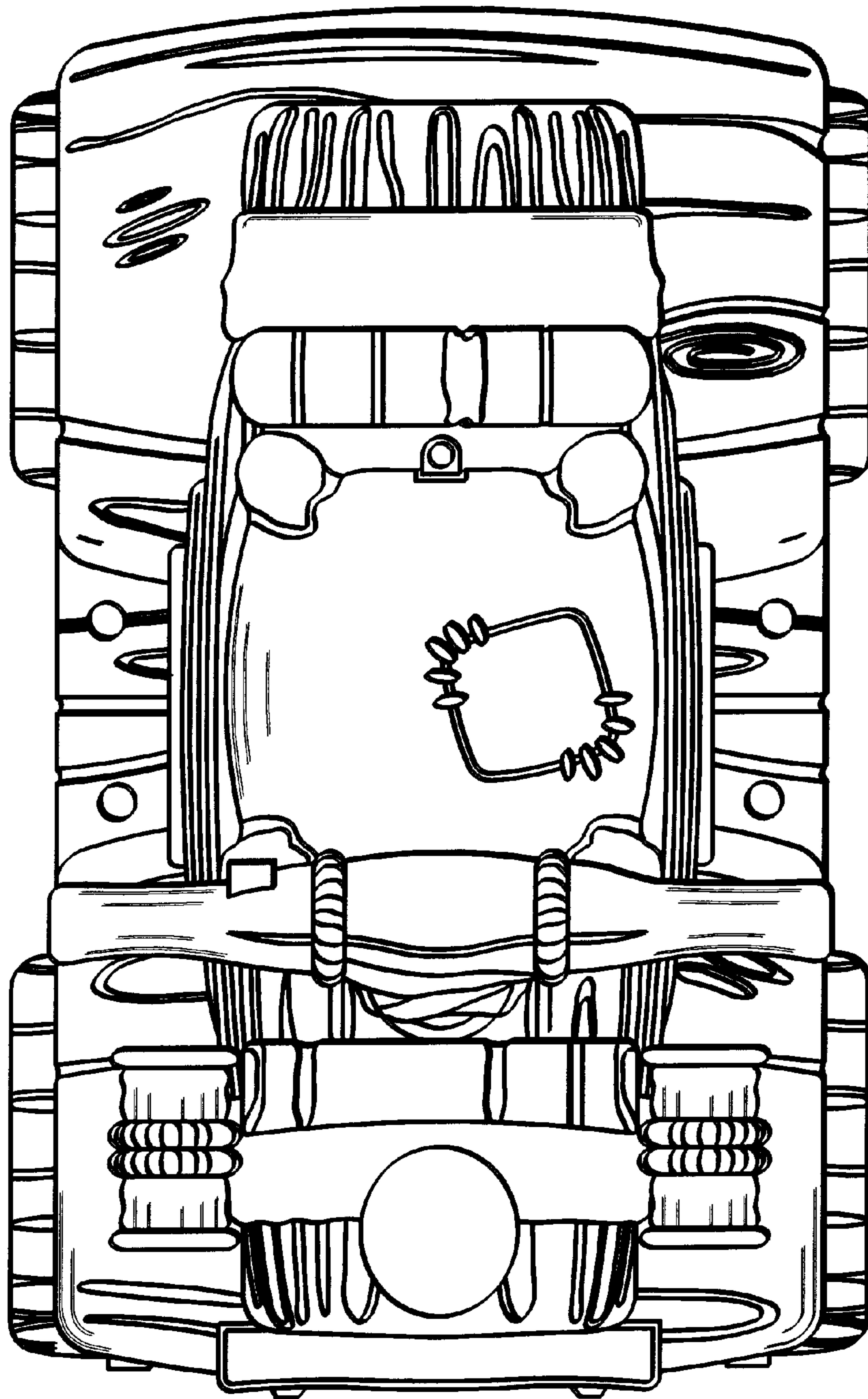


FIG. 5

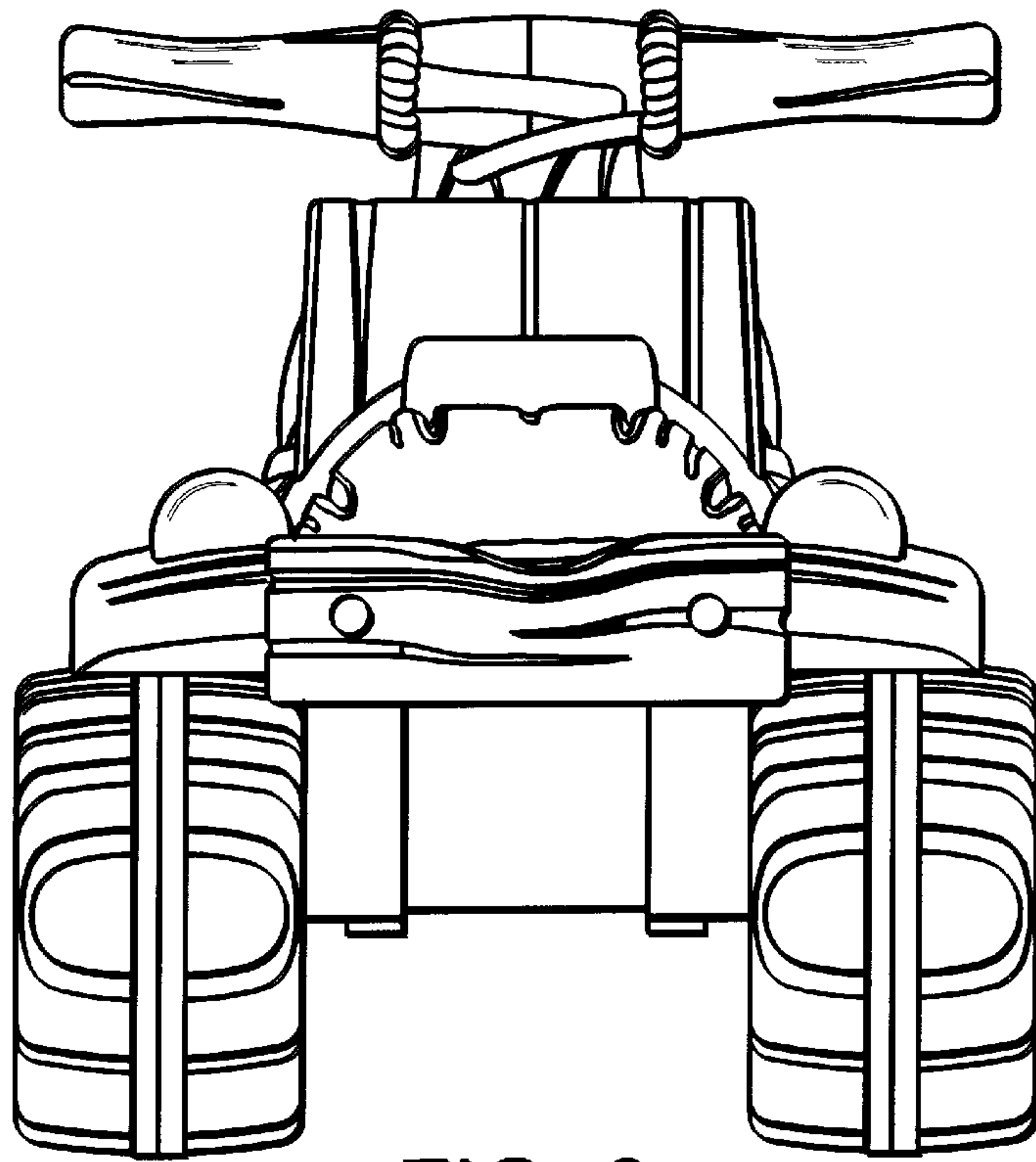


FIG. 6

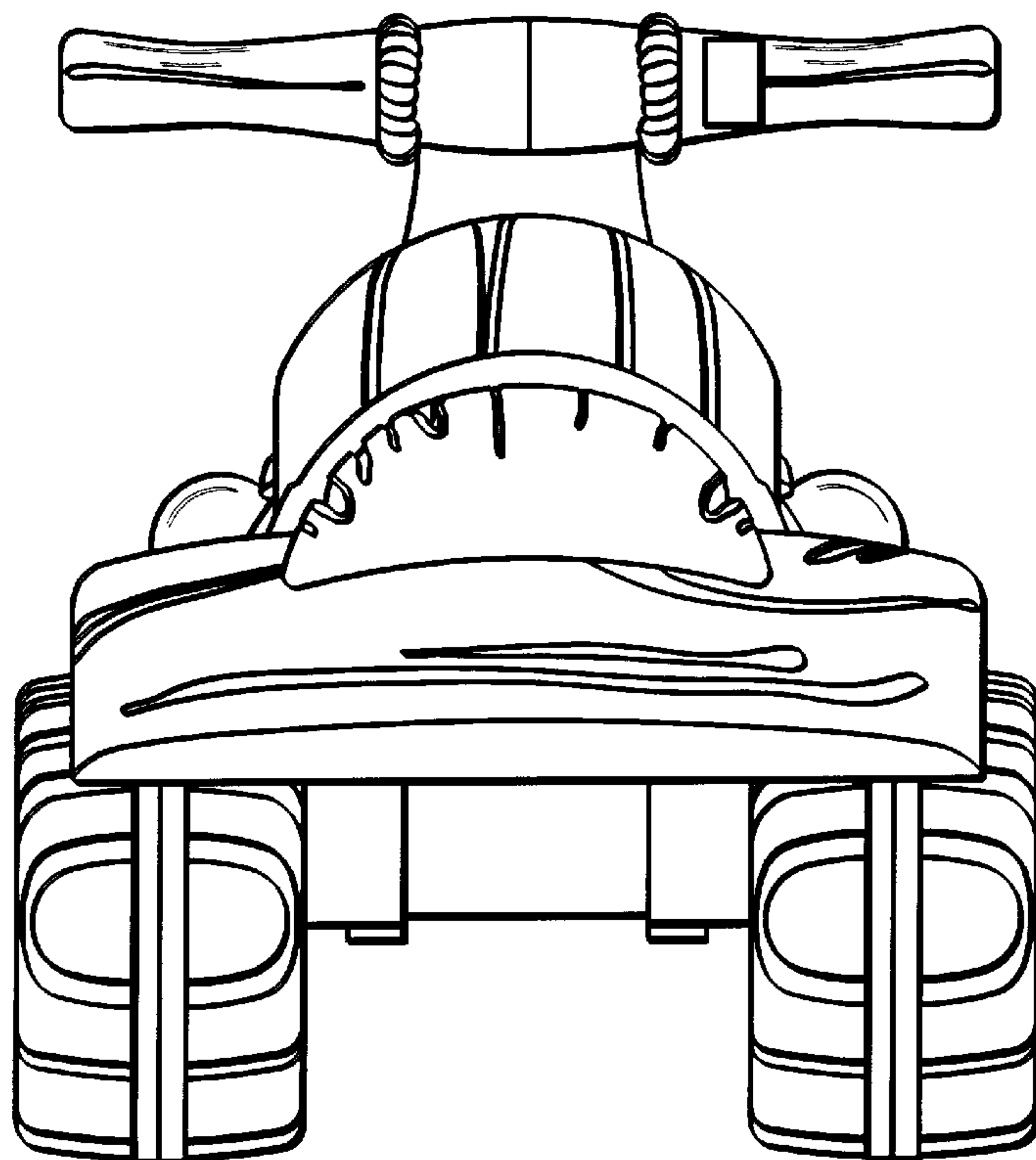


FIG. 7